



US00D917093S

(12) **United States Design Patent**  
**Tscheka et al.**

(10) **Patent No.:** **US D917,093 S**  
(45) **Date of Patent:** **\*\* Apr. 20, 2021**

(54) **CAPSULE FOR USE IN A VAPORIZER DEVICE**  
(71) Applicant: **2334271 Ontario Ltd.**, Toronto (CA)  
(72) Inventors: **Clemens R. J. Tscheka**, Stuttgart (DE);  
**Nariman Keramati Noori**, Stuttgart (DE); **Nima Keramati Noori**,  
Etobicoke (CA)  
(\*\*) Term: **15 Years**  
(21) Appl. No.: **35/508,585**  
(22) Filed: **Jan. 15, 2020**  
(80) **Hague Agreement Data**  
Int. Filing Date: **Jan. 15, 2020**  
Int. Reg. No.: **DM/205750**  
Int. Reg. Date: **Jan. 15, 2020**  
Int. Reg. Pub. Date: **Feb. 14, 2020**

(51) **LOC (13) Cl.** ..... **27-02**  
(52) **U.S. Cl.**  
USPC ..... **D27/162**  
CPC ..... **A24F 47/00 (2013.01)**  
(58) **Field of Classification Search**  
USPC ..... D27/100, 101, 162–165, 174–176, 183,  
D27/185–194; D24/110, 110.5;  
D23/366; 128/202.21, 203.12; 131/273,  
131/274, 270, 191, 328, 329, 330,  
131/360–365  
CPC .... A24F 47/002; A24F 47/006; A24F 47/008;  
A61M 15/00; A61M 15/06  
See application file for complete search history.

(56) **References Cited**  
U.S. PATENT DOCUMENTS  
3,723,048 A \* 3/1973 Russell ..... F23Q 2/06  
431/151  
5,479,948 A \* 1/1996 Counts ..... A24F 47/008  
131/194

7,000,775 B2 \* 2/2006 Gelardi ..... B65D 15/08  
206/485  
D520,182 S \* 5/2006 Bray ..... D27/189  
D532,927 S \* 11/2006 Sann ..... D27/101  
D571,556 S \* 6/2008 Raile ..... D3/265  
7,644,823 B2 \* 1/2010 Gelardi ..... B65D 25/10  
206/776  
D645,817 S \* 9/2011 Sasada ..... D13/108  
D654,160 S \* 2/2012 Yomtsov ..... D23/360  
8,522,776 B2 \* 9/2013 Wright ..... A61M 15/0093  
128/203.15  
D708,727 S \* 7/2014 Postma ..... D23/360  
D712,091 S \* 8/2014 Liu ..... D27/193  
D735,936 S \* 8/2015 Liu ..... D27/189  
D748,325 S \* 1/2016 Leidel ..... D27/163  
D750,321 S \* 2/2016 Chen ..... D27/194  
D771,308 S \* 11/2016 Saydar ..... B02C 19/0056  
D27/163  
D776,340 S \* 1/2017 Seibel ..... D27/189  
9,723,877 B2 \* 8/2017 Wong ..... A24F 40/40  
D806,311 S \* 12/2017 Smith ..... D27/162  
10,045,568 B2 \* 8/2018 Monsees ..... A24F 40/46  
D829,371 S \* 9/2018 Durand ..... D27/101  
D836,831 S \* 12/2018 Cividi ..... D27/162  
D842,536 S \* 3/2019 Bowen ..... D27/167  
D844,235 S \* 3/2019 Cividi ..... D27/167  
D855,880 S \* 8/2019 Sarsurluoglu ..... D27/186  
D861,975 S \* 10/2019 Bowen ..... D27/162

(Continued)

Primary Examiner — Richard E Chilcot

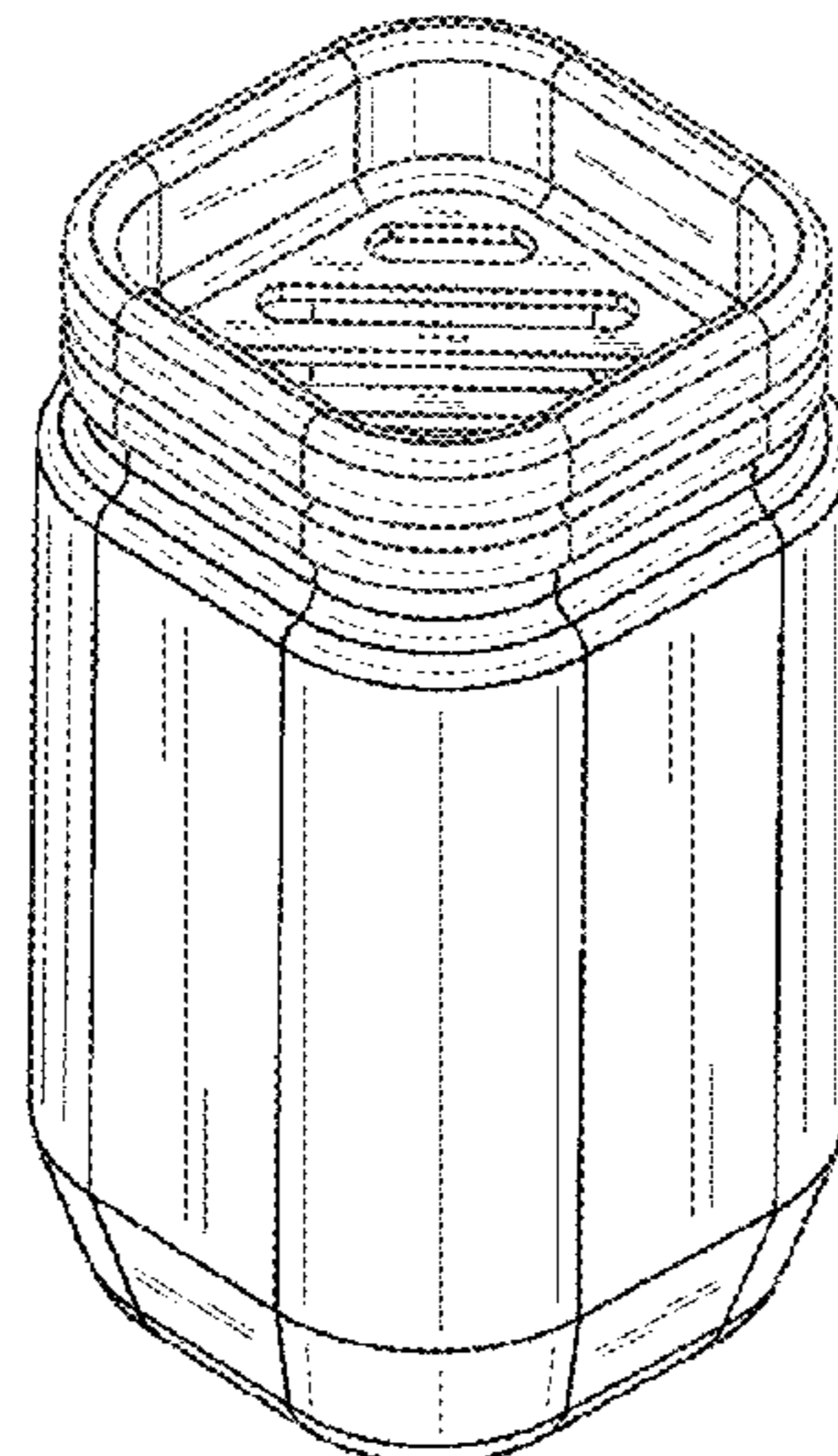
(57) **CLAIM**

The ornamental design for a capsule for use in a vaporizer device, as shown and described.

**DESCRIPTION**

1. Capsule for use in a vaporizer device  
Fig. 1.1 is an upper perspective view of a capsule for use in a vaporizer device of the present invention; fig. 1.2 is a lower perspective view thereof; fig. 1.3 is a front view thereof; the back view thereof, the left side view thereof and the right side view thereof are identical to the front view, and are therefore omitted; fig. 1.4 is the top view thereof; fig. 1.5 is the bottom view thereof.

**1 Claim, 5 Drawing Sheets**



(56)

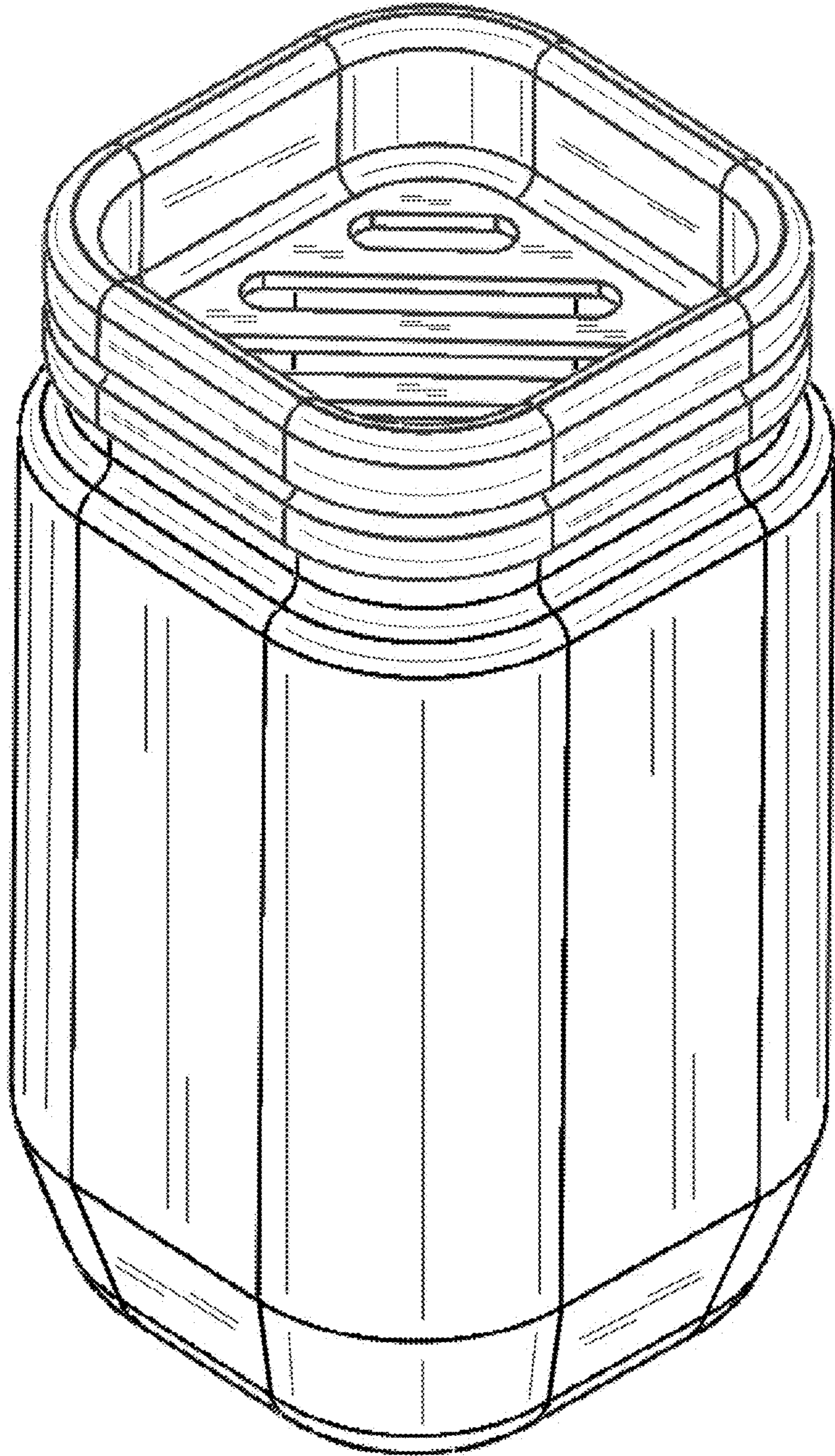
**References Cited**

## U.S. PATENT DOCUMENTS

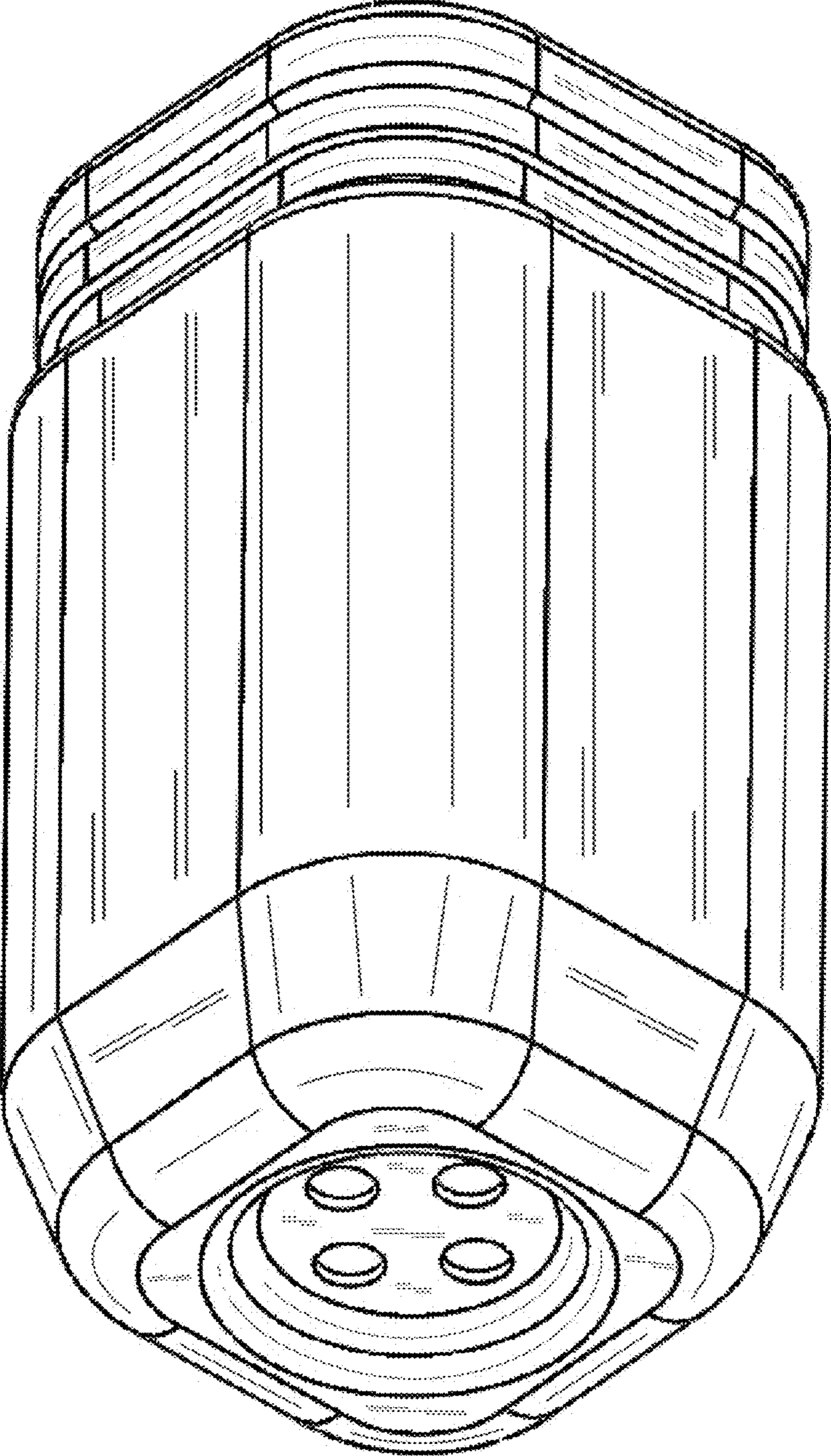
D868,367 S \* 11/2019 Franzone ..... D27/167  
D885,328 S \* 5/2020 Bartell ..... D13/103  
D903,192 S \* 11/2020 Chang ..... D27/162  
2005/0016533 A1 \* 1/2005 Schuler ..... A61M 15/0093  
128/203.15  
2007/0229025 A1 \* 10/2007 Tsai ..... H01R 13/2442  
320/111  
2015/0034104 A1 \* 2/2015 Zhou ..... A24F 47/008  
131/329  
2015/0128976 A1 \* 5/2015 Verleur ..... H02J 7/0042  
131/329  
2015/0208729 A1 \* 7/2015 Monsees ..... H02J 7/0034  
131/329  
2016/0166564 A1 \* 6/2016 Myers ..... C07C 63/08  
514/343  
2016/0167846 A1 \* 6/2016 Zahr ..... A24F 47/002  
222/153.14  
2016/0174611 A1 \* 6/2016 Monsees ..... H05B 3/44  
392/387  
2016/0271347 A1 \* 9/2016 Raichman ..... A61M 15/003  
2016/0278436 A1 \* 9/2016 Verleur ..... A24F 40/50  
2016/0360789 A1 \* 12/2016 Hawes ..... A24F 40/42  
2016/0366947 A1 \* 12/2016 Monsees ..... B65D 25/54  
2016/0374399 A1 \* 12/2016 Monsees ..... A24F 40/40  
131/329  
2017/0231282 A1 \* 8/2017 Bowen ..... A61K 31/465  
131/329  
2017/0233114 A1 \* 8/2017 Christensen ..... B65B 3/14  
141/2  
2018/0110943 A1 \* 4/2018 Raichman ..... A61M 11/042  
2020/0022418 A1 \* 1/2020 Belisle ..... A24F 40/70

\* cited by examiner

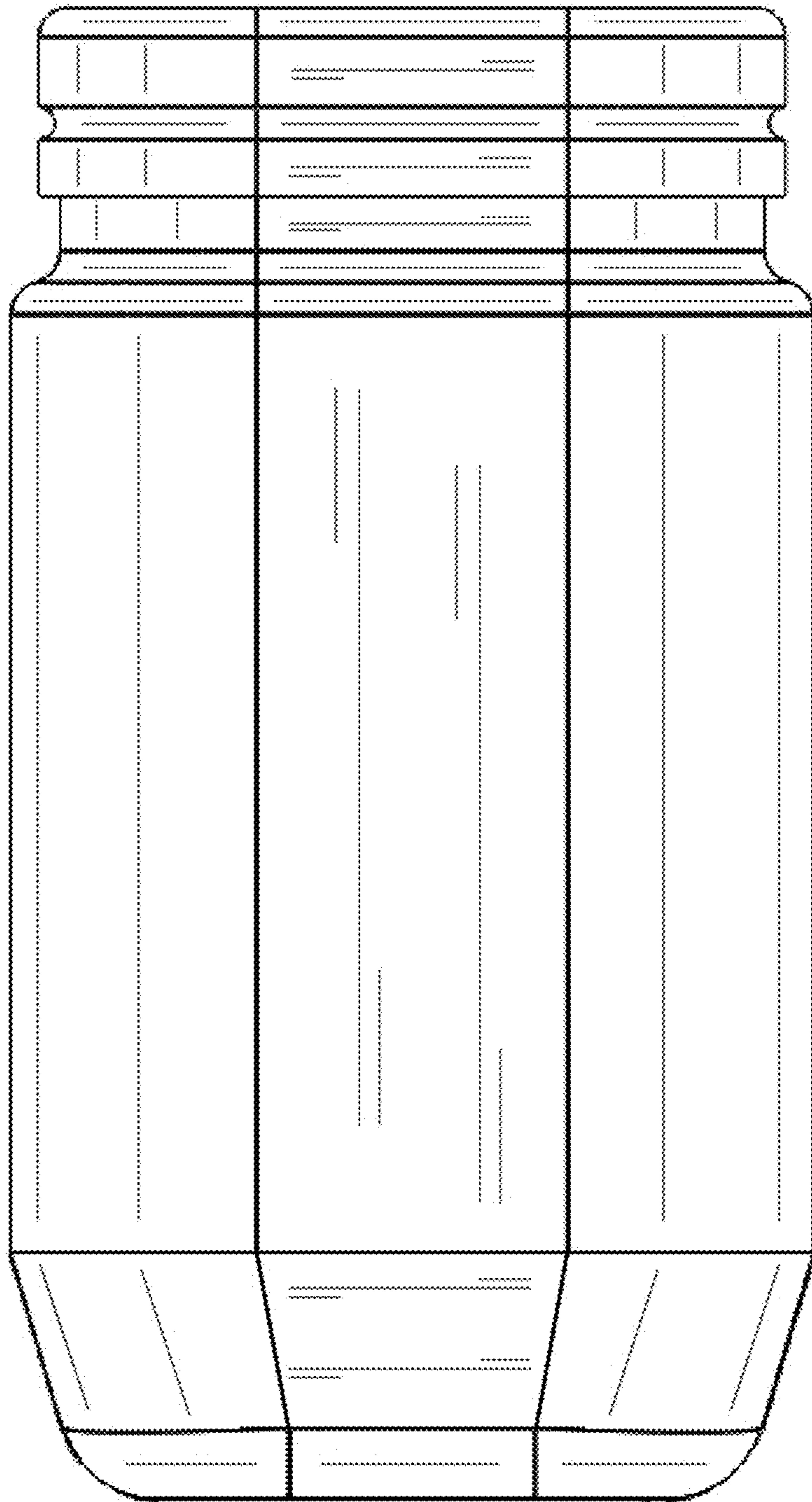
1.1



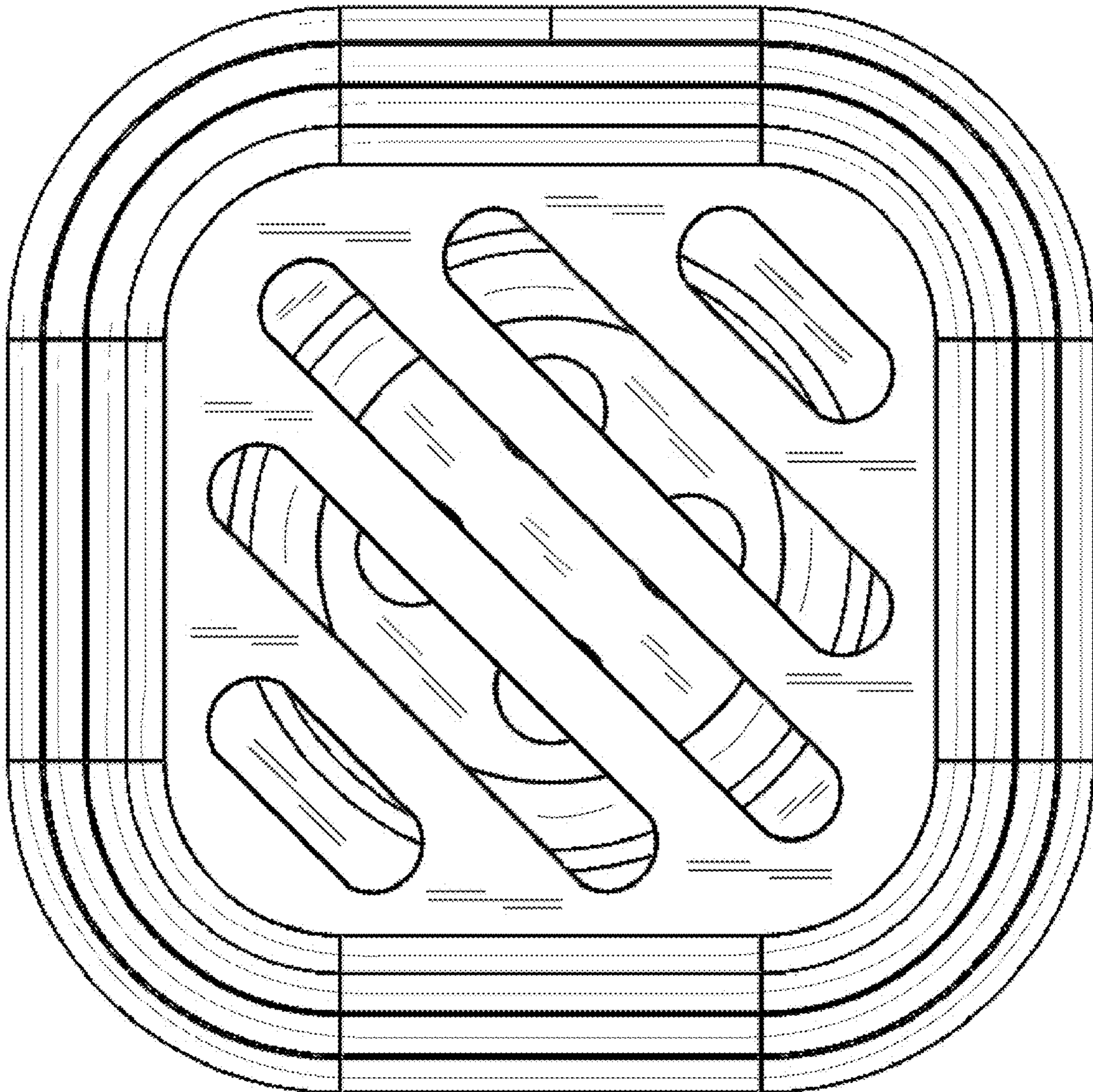
1.2



1.3



1.4



1.5

