



US00D917092S

(12) **United States Design Patent**  
**Zhang**

(10) **Patent No.:** **US D917,092 S**

(45) **Date of Patent:** **\*\* Apr. 20, 2021**

(54) **LED LIGHT**

(71) Applicant: **Xinmei Zhang**, Huzhou (CN)

(72) Inventor: **Xinmei Zhang**, Huzhou (CN)

(\*\*) Term: **15 Years**

(21) Appl. No.: **29/752,748**

(22) Filed: **Sep. 29, 2020**

(51) **LOC (13) Cl.** ..... **26-03**

(52) **U.S. Cl.**  
USPC ..... **D26/110**

(58) **Field of Classification Search**  
USPC ..... D26/93, 104, 106, 110, 112  
CPC ..... F21V 3/00; F21V 5/007; F21W 2121/00;  
F21W 2131/30; F21S 6/00; F21S 10/00;  
F21S 10/06

See application file for complete search history.

(56) **References Cited**

**U.S. PATENT DOCUMENTS**

|              |         |              |       |         |
|--------------|---------|--------------|-------|---------|
| D544,117 S * | 6/2007  | Coushaine    | ..... | D26/110 |
| D544,618 S * | 6/2007  | Coushaine    | ..... | D26/110 |
| D561,925 S * | 2/2008  | Levine       | ..... | D26/110 |
| D577,458 S * | 9/2008  | Chan         | ..... | D26/104 |
| D581,081 S * | 11/2008 | Mier-Langner | ..... | D26/110 |
| D583,091 S * | 12/2008 | Benensohn    | ..... | D26/110 |

|                   |         |           |       |                      |
|-------------------|---------|-----------|-------|----------------------|
| D607,600 S *      | 1/2010  | Keith     | ..... | D26/104              |
| D831,268 S *      | 10/2018 | Johnson   | ..... | D26/110              |
| D861,202 S        | 9/2019  | Renvall   |       |                      |
| 2006/0250789 A1 * | 11/2006 | Coushaine | ..... | F21S 9/02<br>362/157 |

\* cited by examiner

*Primary Examiner* — Brian N. Vinson

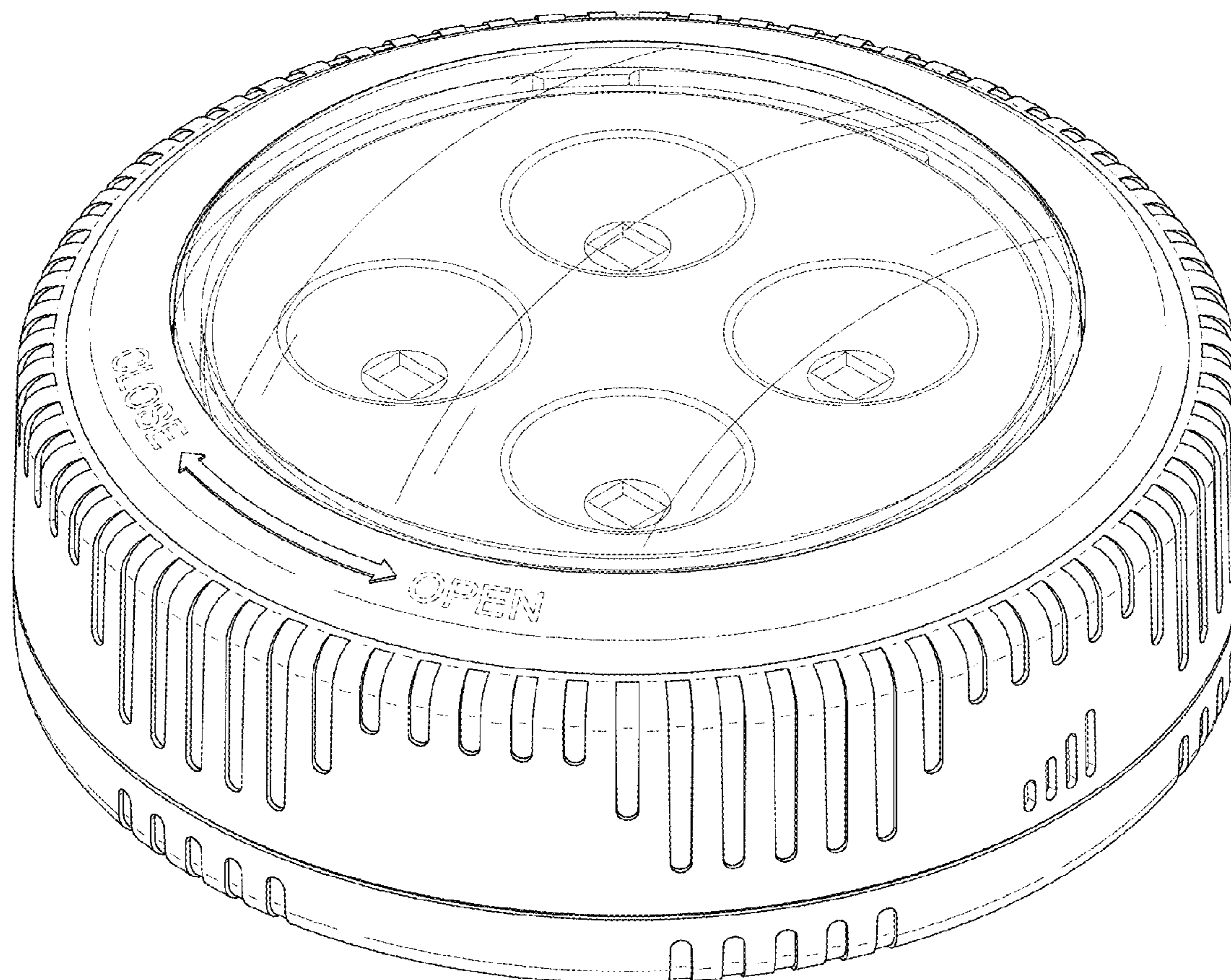
(57) **CLAIM**

The ornamental design for a LED light, as shown and described.

**DESCRIPTION**

FIG. 1 is a front and top perspective view of a LED light, showing my new design;  
 FIG. 2 is a rear and bottom perspective view thereof;  
 FIG. 3 is a front elevational view thereof;  
 FIG. 4 is a rear elevational view thereof;  
 FIG. 5 is a left side elevational view thereof;  
 FIG. 6 is a right side elevational view thereof;  
 FIG. 7 is a top plan view thereof; and,  
 FIG. 8 is a bottom plan view thereof.  
 The broken lines in the figures illustrate portions of the LED light that form no part of the claimed design.

**1 Claim, 8 Drawing Sheets**



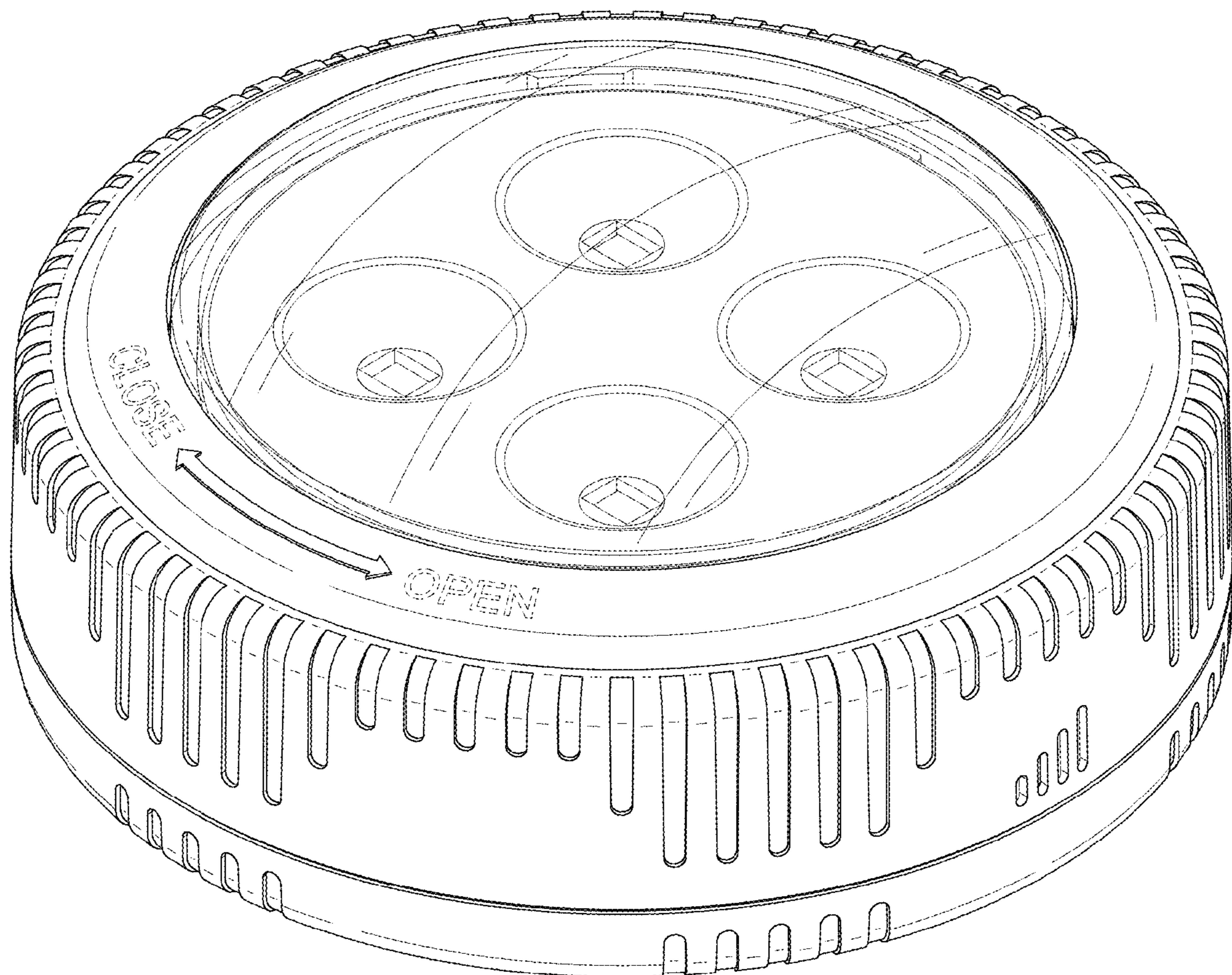


FIG. 1

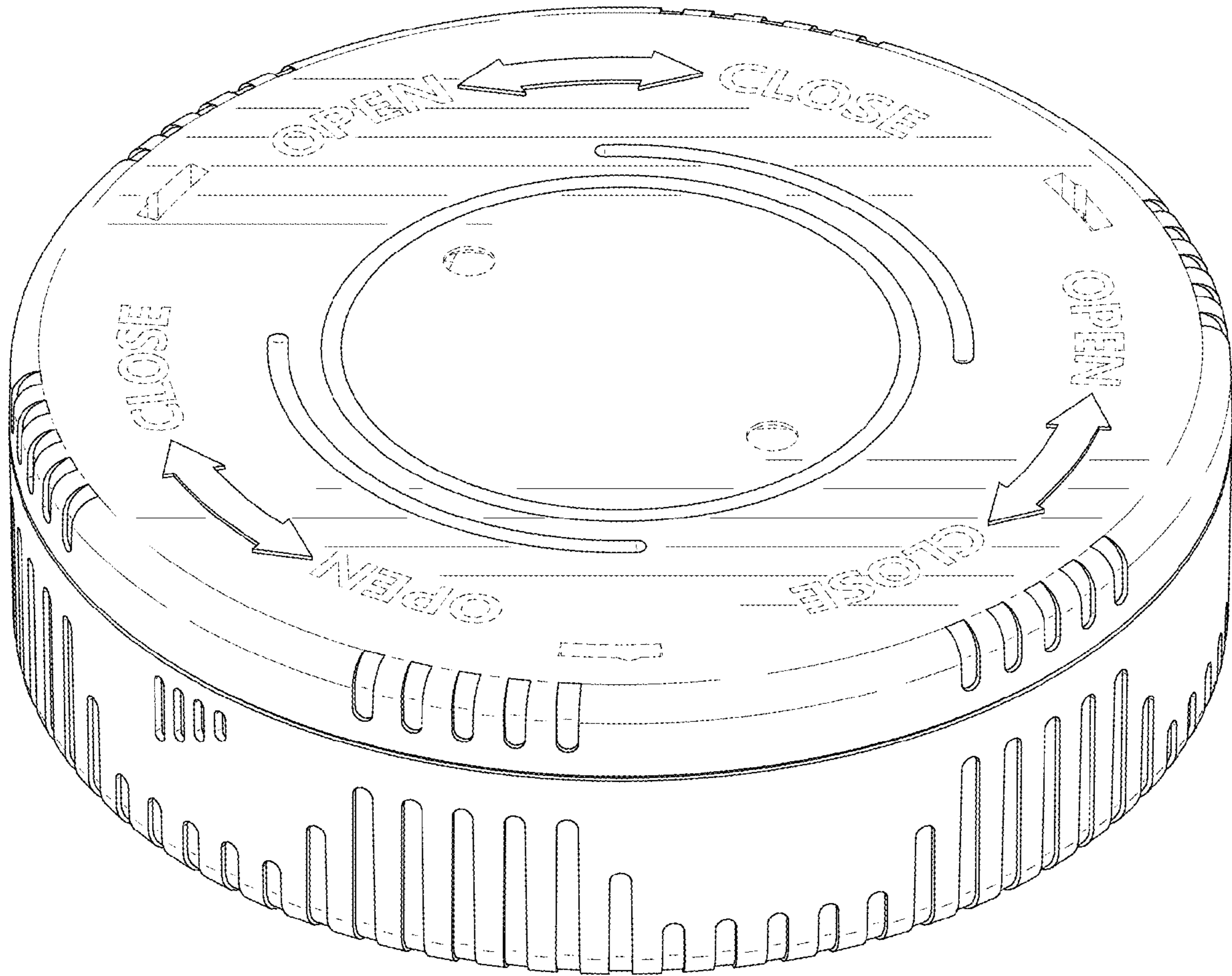


FIG. 2

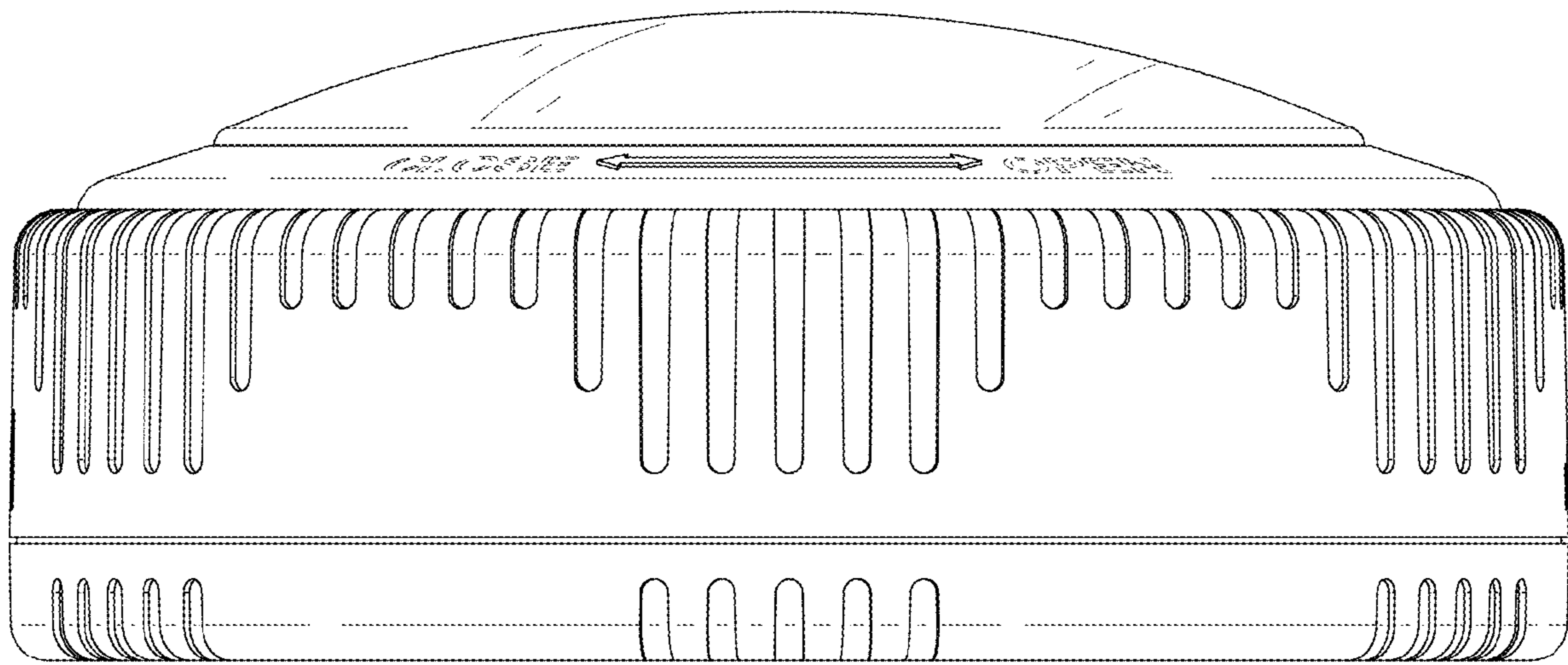


FIG. 3

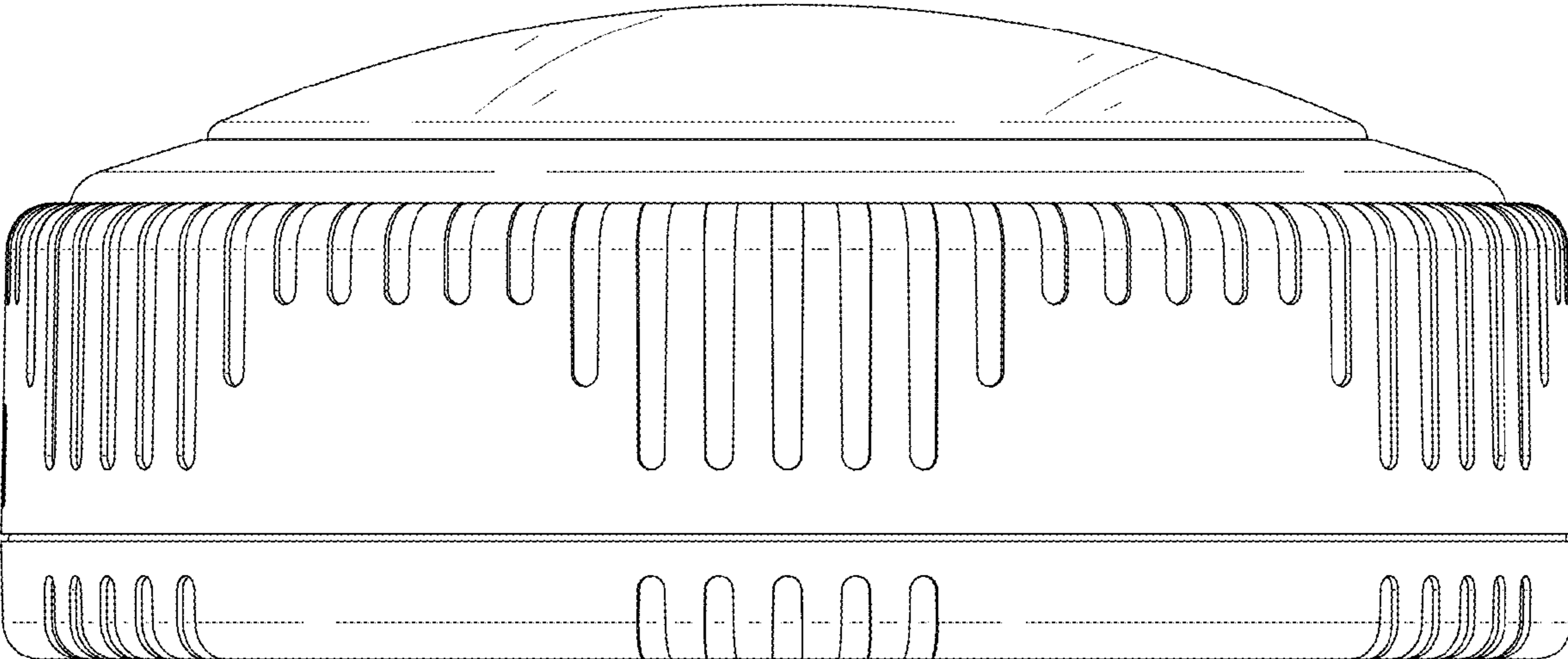


FIG. 4

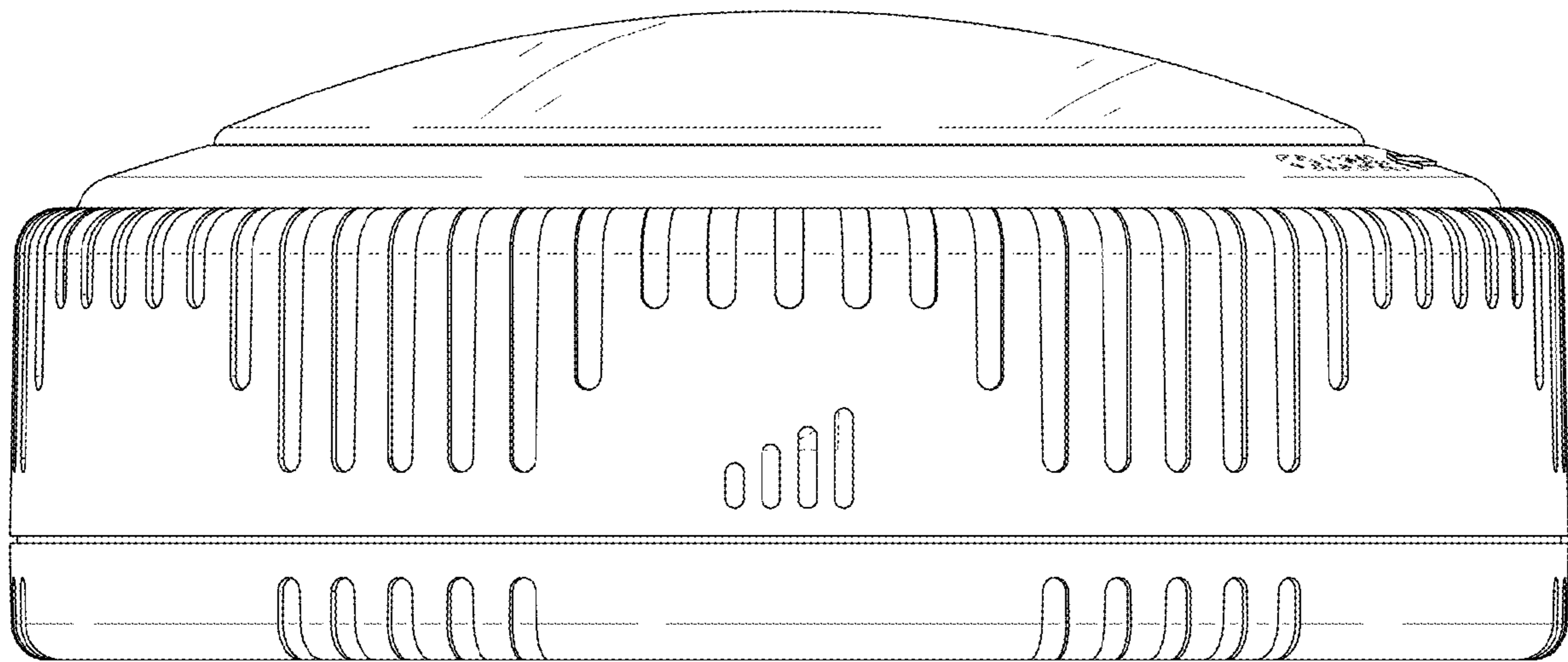


FIG. 5

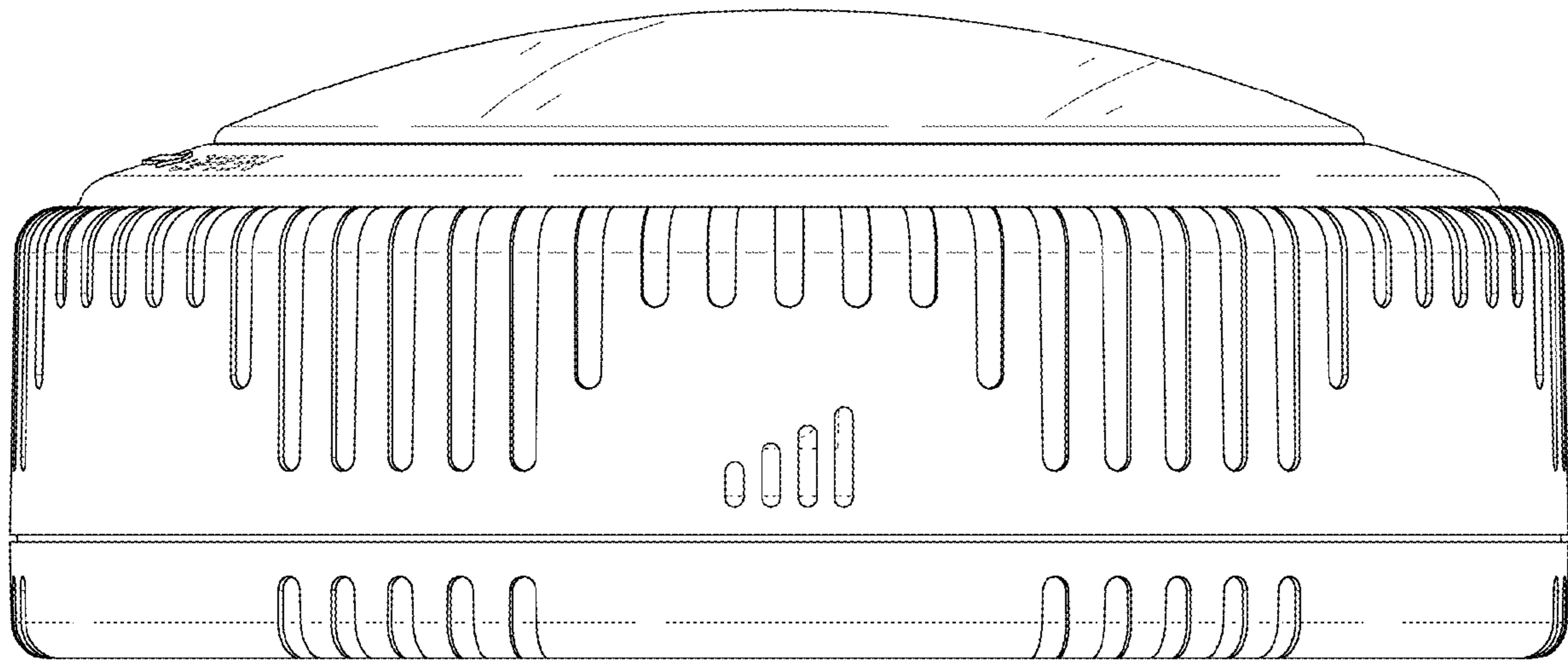


FIG. 6

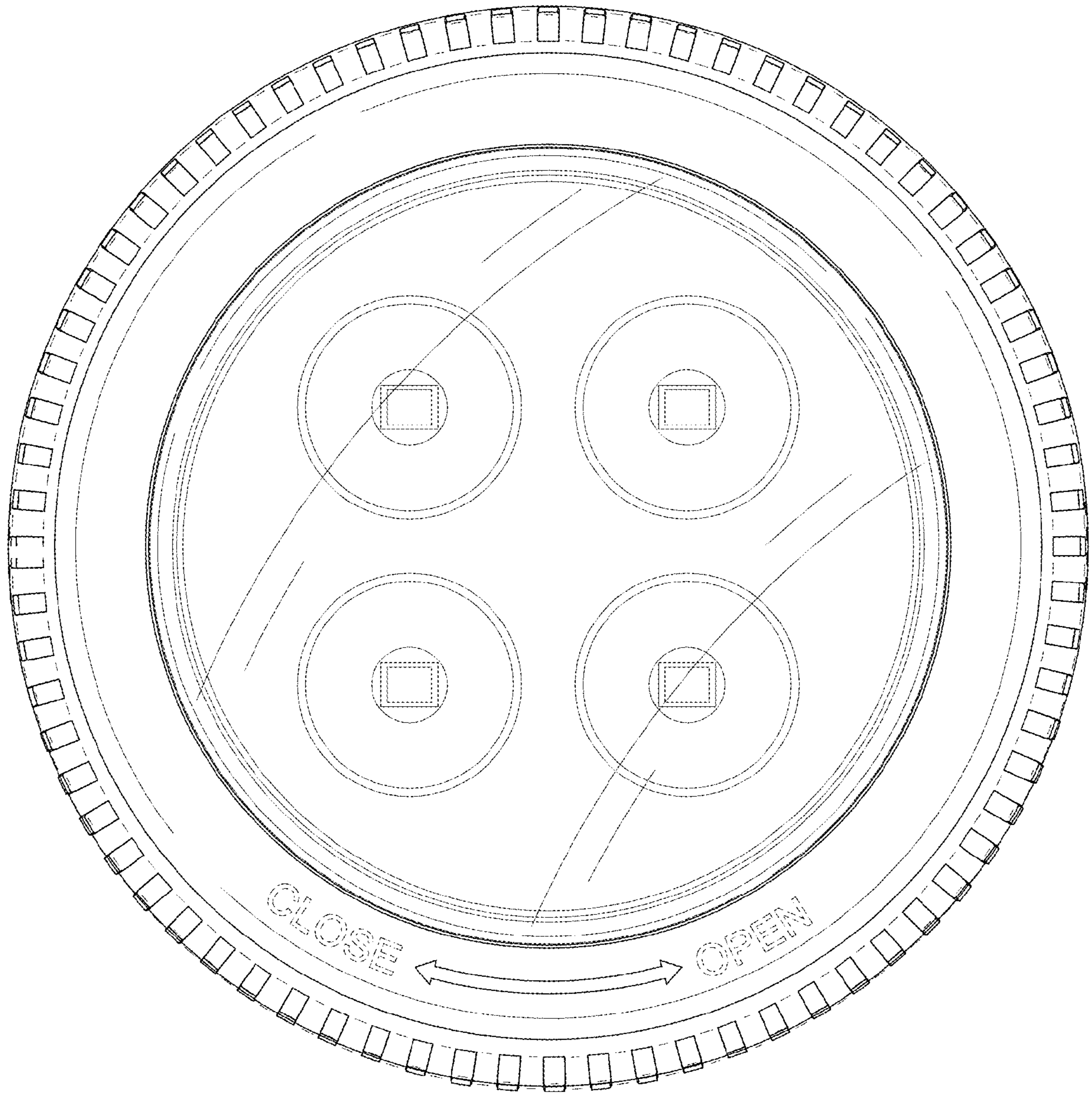


FIG. 7



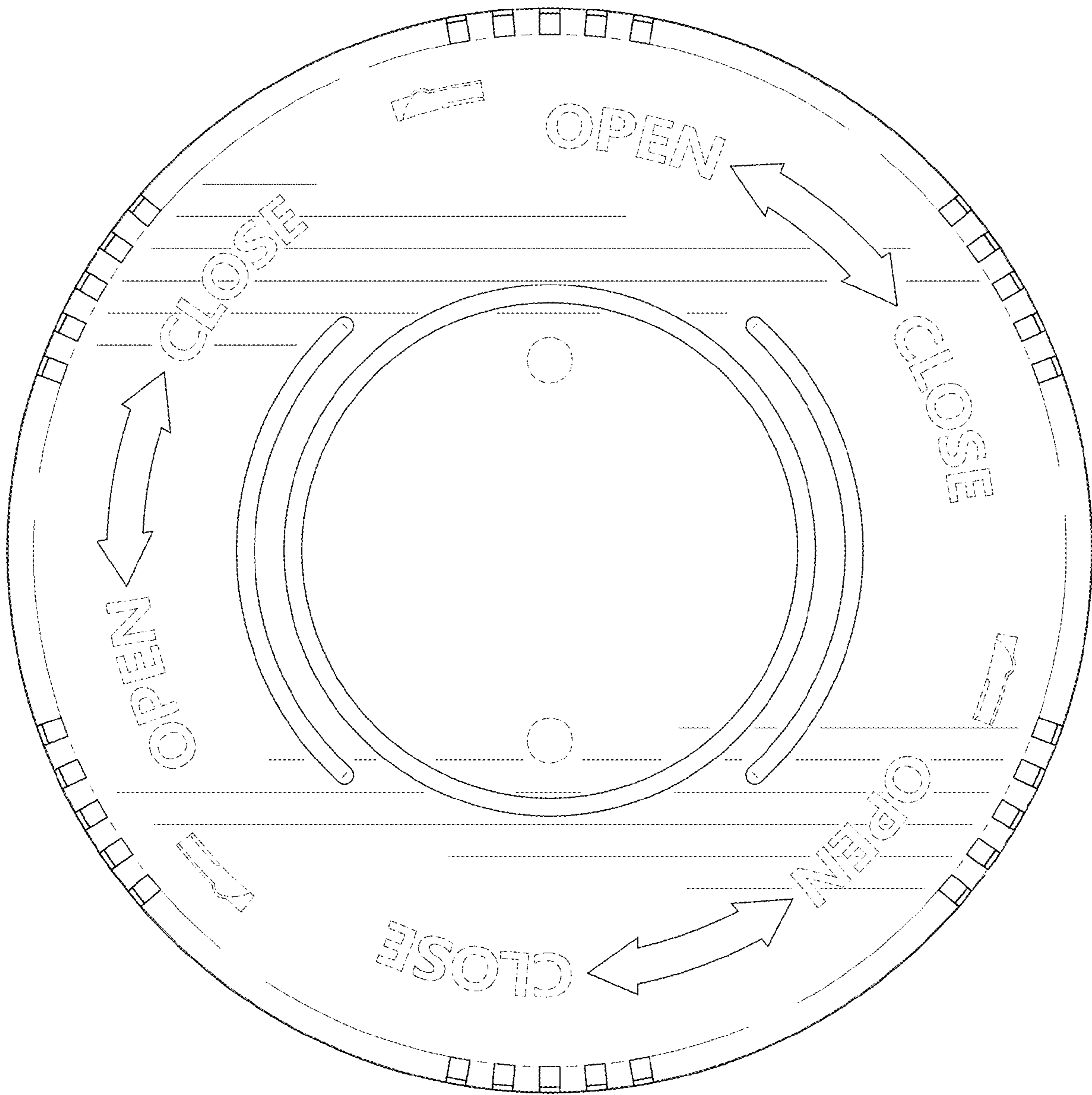


FIG. 8