



US00D917091S

(12) **United States Design Patent** (10) **Patent No.:** **US D917,091 S**
Ma (45) **Date of Patent:** **** Apr. 20, 2021**

(54) **MAGNETIC LAMP**
(71) Applicant: **Zenan Ma**, Guangdong (CN)
(72) Inventor: **Zenan Ma**, Guangdong (CN)
(**) Term: **15 Years**
(21) Appl. No.: **29/677,990**
(22) Filed: **Jan. 25, 2019**
(51) **LOC (13) Cl.** **26-04**
(52) **U.S. Cl.**
USPC **D26/76**
(58) **Field of Classification Search**
USPC D26/24, 72, 74, 76, 78–83, 85–86, 88,
D26/90, 93, 111, 113, 118–122, 138,
D26/140–142, 152
CPC F21S 2/00; F21S 4/00; F21S 4/008; F21S
8/024; F21S 8/026; F21S 8/031; F21S
8/033; F21S 8/035; F21S 8/036; F21S
8/037; F21S 8/04; F21S 8/043; F21S
8/063
See application file for complete search history.

(56) **References Cited**

U.S. PATENT DOCUMENTS

D344,605 S * 2/1994 Aspenwall D26/76
D581,079 S * 11/2008 Mier-Langner D26/72
D606,229 S * 12/2009 Johansen D26/76
D608,043 S * 1/2010 Ko D26/76
D646,003 S * 9/2011 Wang D26/24
D663,882 S * 7/2012 Muraishi D26/76
D690,844 S * 10/2013 Wang D26/24
D693,047 S * 11/2013 Haumann D26/89
8,608,337 B2 * 12/2013 Nourishad F21S 8/04
362/225
D709,636 S * 7/2014 Murata D26/72
D715,466 S * 10/2014 Wang D26/24
D730,558 S * 5/2015 Dungan D26/76
D735,390 S * 7/2015 Yanping D26/74
D791,383 S * 7/2017 Yu D26/76

D791,997 S * 7/2017 van den Dool D26/76
D800,942 S * 10/2017 Poyrah D26/72
D801,570 S * 10/2017 Grandsart D26/76
9,874,333 B2 * 1/2018 Lay F21S 8/033
D819,878 S * 6/2018 Cerce D26/138
D825,792 S * 8/2018 Johnson D26/24
D858,852 S * 9/2019 Chen D26/76
D859,199 S * 9/2019 Goltche D10/114.4
D860,484 S * 9/2019 Wang D26/24
D861,950 S * 10/2019 Hsu D26/76
D862,766 S * 10/2019 Kim D26/76
D869,048 S * 12/2019 Chai D26/76
D872,339 S * 1/2020 Chen D26/76

(Continued)

OTHER PUBLICATIONS

amazon.co.uk: Moston 3 Pack Upgraded USB Rechargeable Light.
Date uploaded Mar. 16, 2017 [site visited Sep. 11, 2020]. Retrived
from internet, <https://www.amazon.co.uk/Upgraded-Rechargeable-Magnetic-Photocell-Off-Portable/dp/B06XPD3BP2/ref=sr_1_1_sspa...> (Year: 2017).*

Primary Examiner — Brian N. Vinson

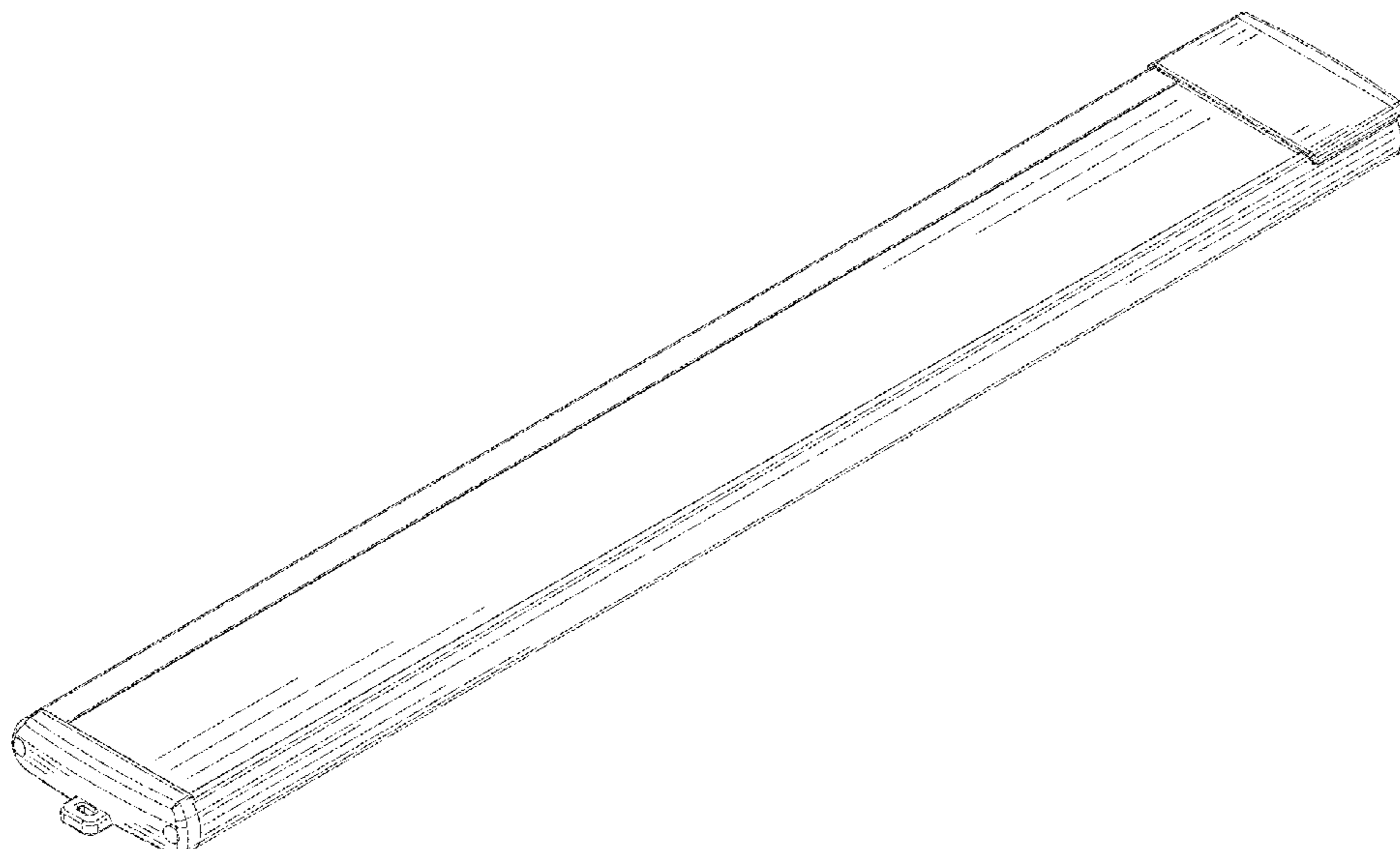
(57) **CLAIM**

The ornamental design for a magnetic lamp, as shown and described.

DESCRIPTION

FIG. 1 is a front elevational view of a magnetic lamp showing my new design;
FIG. 2 is a rear elevational view thereof;
FIG. 3 is a left side view thereof;
FIG. 4 is a right side view thereof;
FIG. 5 is an enlarged top plan view thereof;
FIG. 6 is an enlarged bottom plan view thereof; and,
FIG. 7 is a perspective view thereof.
Throughout the drawings the broken lines depict portions of the magnetic lamp that form no part of the claimed design.

1 Claim, 7 Drawing Sheets



(56)

References Cited

U.S. PATENT DOCUMENTS

D876,700 S *	2/2020	Patterson	D26/76
D880,021 S *	3/2020	Meise	D26/24
D880,044 S *	3/2020	Chen	D26/76
D884,243 S *	5/2020	Li	D26/63
D889,722 S *	7/2020	Veltri	D26/76
D897,022 S *	9/2020	Guo	D26/76
D900,374 S *	10/2020	Luo	D26/85
2007/0127235 A1 *	6/2007	Cooper	F21L 4/00 362/217.1

* cited by examiner

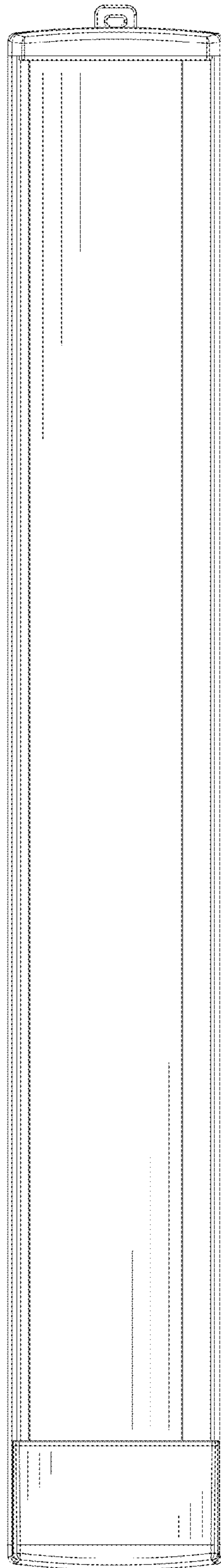


Fig.1

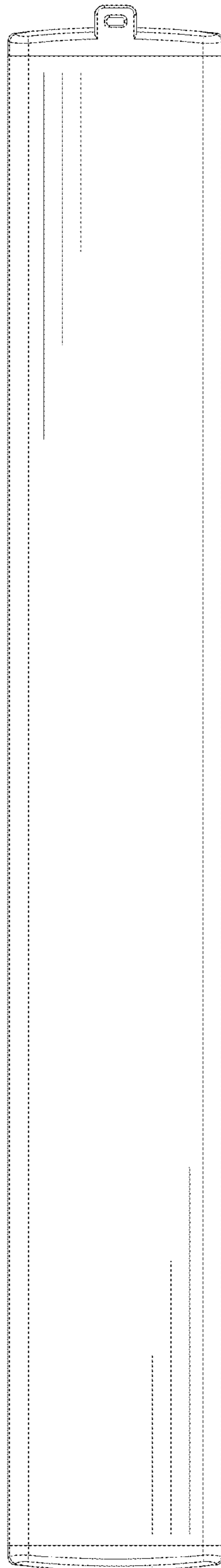


Fig.2

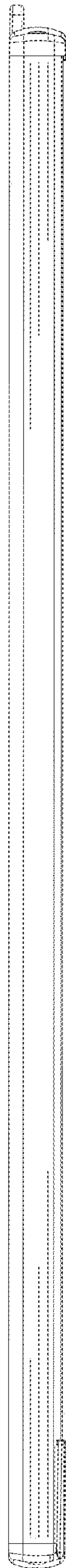


Fig.3

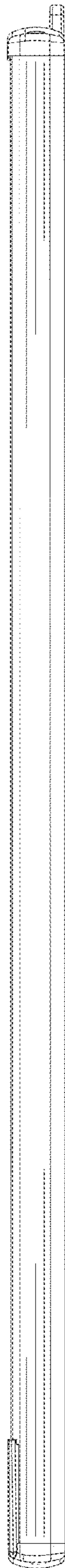


Fig.4

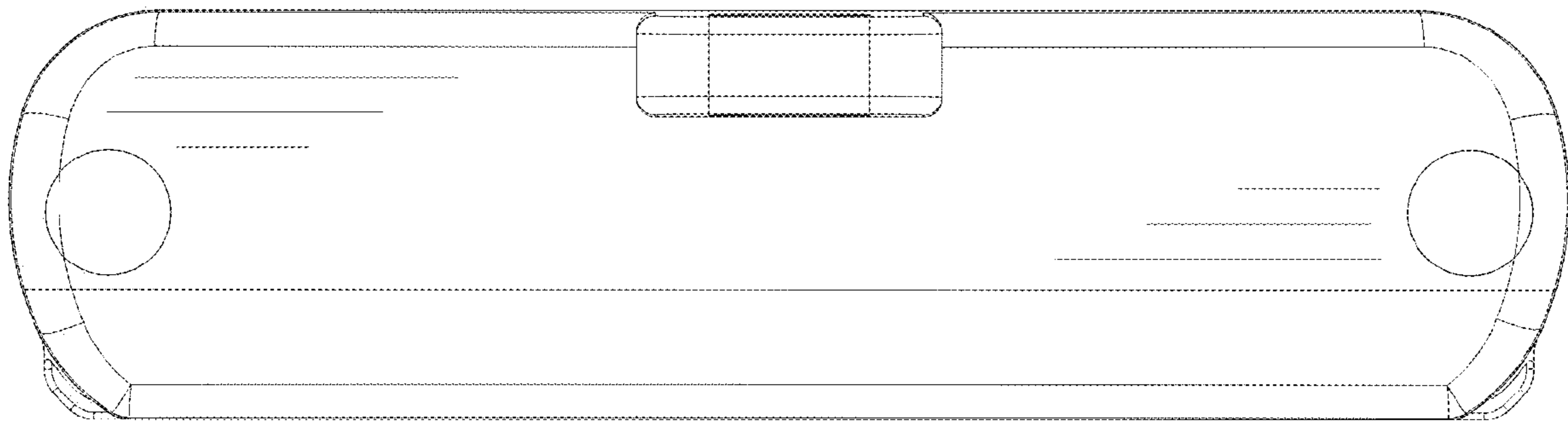


Fig.5

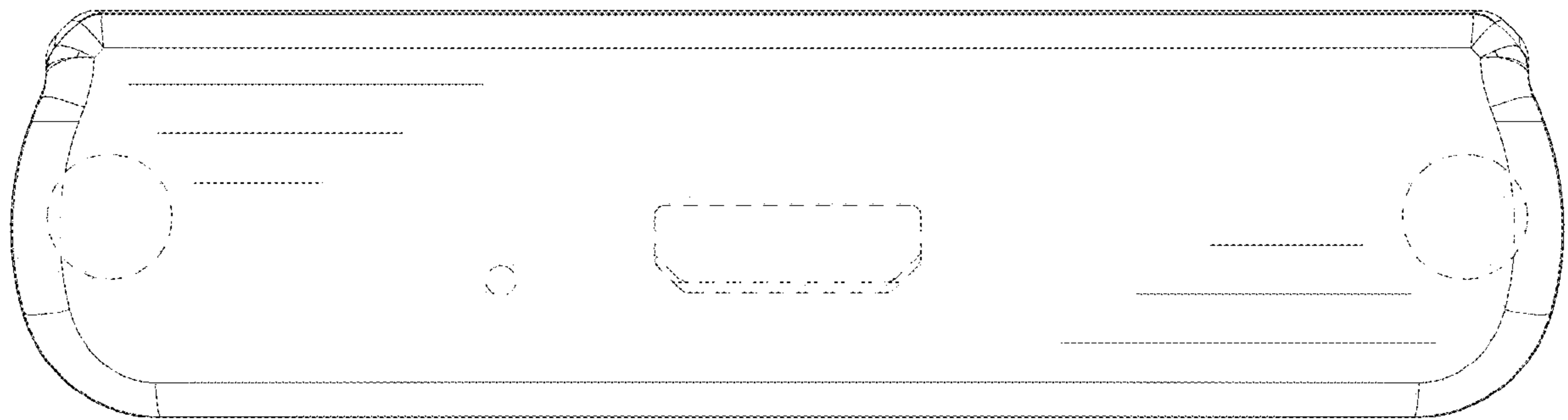


Fig.6

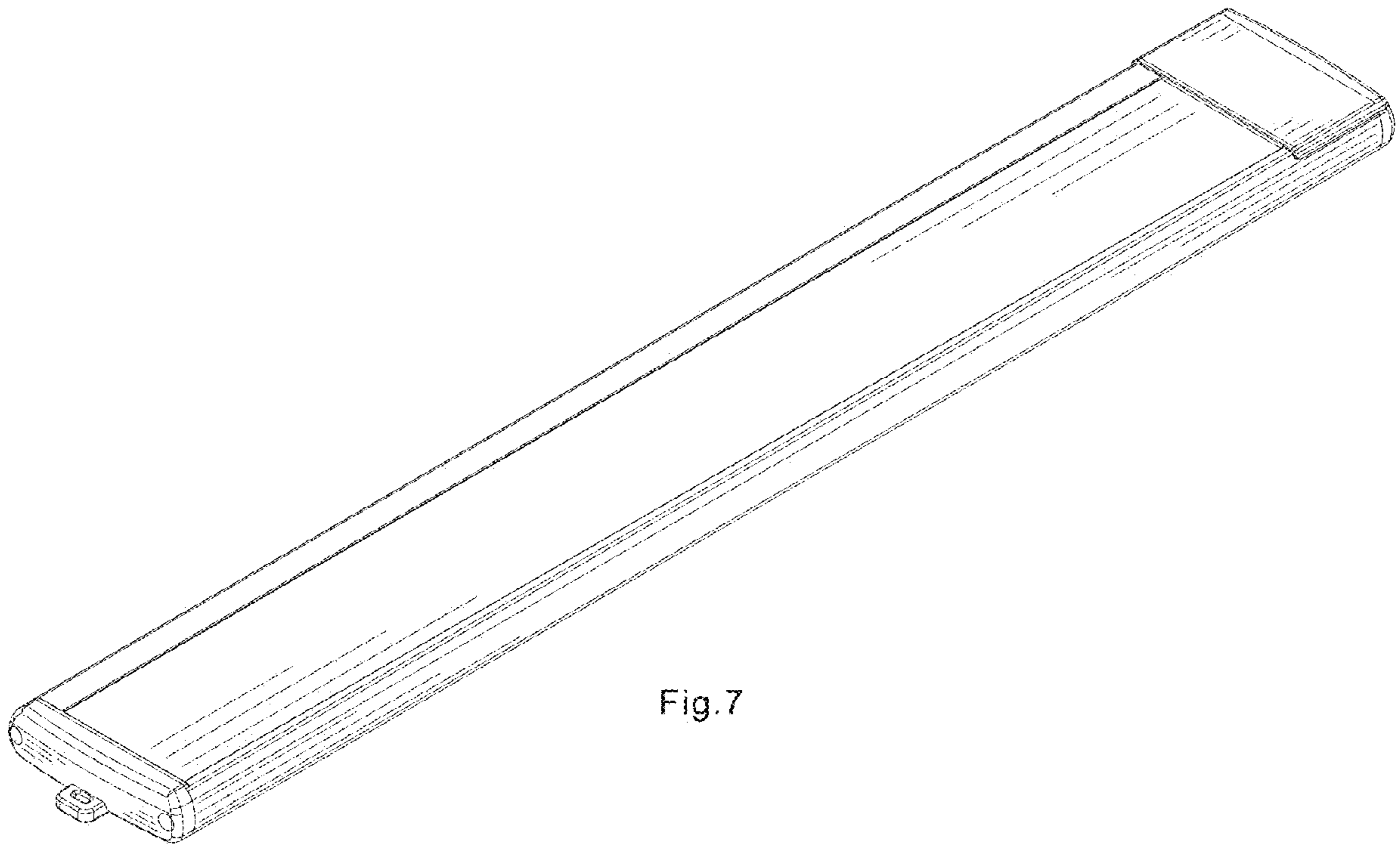


Fig. 7