



US00D917090S

(12) **United States Design Patent**  
**Farzan**

(10) **Patent No.:** **US D917,090 S**

(45) **Date of Patent:** **\*\* Apr. 20, 2021**

(54) **RECESSED LIGHTING FIXTURE WITH A SLIDING ADJUSTMENT FEATURE**

*Primary Examiner* — Angela J Lee

(74) *Attorney, Agent, or Firm* — K&L Gates LLP

(71) Applicant: **Nora Lighting, Inc.**, Commerce, CA (US)

(72) Inventor: **Neda Farzan**, Commerce, CA (US)

(73) Assignee: **Nora Lighting, Inc.**, Commerce, CA (US)

(\*\*) Term: **15 Years**

(21) Appl. No.: **29/661,371**

(22) Filed: **Aug. 27, 2018**

(51) **LOC (13) Cl.** ..... **26-06**

(52) **U.S. Cl.**  
USPC ..... **D26/74**

(58) **Field of Classification Search**

USPC ..... D26/74, 72, 75, 76, 77, 78, 85, 88, 89,  
D26/118, 138, 141; 362/364, 365, 373,  
362/145, 146, 147, 148, 150, 153, 153.1,  
362/294, 296.01, 296.07, 296.08  
CPC ..... F21V 29/2262; F21V 7/06; F21V 21/044;  
F21V 21/047; F21V 29/2212; F21V  
29/2225; F21V 29/2256; F21V 29/225;  
F21V 29/2268; F21Y 2111/002; F21S  
8/02; F21S 8/026

See application file for complete search history.

(56) **References Cited**

**U.S. PATENT DOCUMENTS**

D561,374 S *	2/2008	Hartmann, Jr.	.....	D26/74
D609,840 S *	2/2010	Tang	.....	D26/74
D665,117 S *	8/2012	Yoshida	.....	D26/74
D723,728 S *	3/2015	Jeswani	.....	D26/74
D726,360 S *	4/2015	Messiaen	.....	D26/74
D731,689 S *	6/2015	Bernard	.....	D26/74
D766,486 S *	9/2016	Boomgaarden	.....	D26/74
D779,099 S *	2/2017	Beck	.....	D26/74

(Continued)

(57) **CLAIM**

The ornamental design for a recessed lighting fixture with a sliding adjustment feature, as shown and described herein.

**DESCRIPTION**

FIG. 1 illustrates a side view of a recessed lighting fixture with a sliding adjustment feature, according to a first embodiment.

FIG. 2 illustrates a front view of the recessed lighting fixture, according to the first embodiment.

FIG. 3 illustrates a top-down plan view of the recessed lighting fixture, according to the first embodiment.

FIG. 4 illustrates a bottom-up view of the recessed lighting fixture, according to the first embodiment.

FIG. 5 illustrates a top-perspective view of the recessed lighting fixture, according to the first embodiment.

FIG. 6 illustrates a bottom-perspective view of the recessed lighting fixture, according to the first embodiment.

FIG. 7 illustrates a side view of a recessed lighting fixture with a sliding adjustment feature, according to a second embodiment.

FIG. 8 illustrates a front view of the recessed lighting fixture, according to the second embodiment.

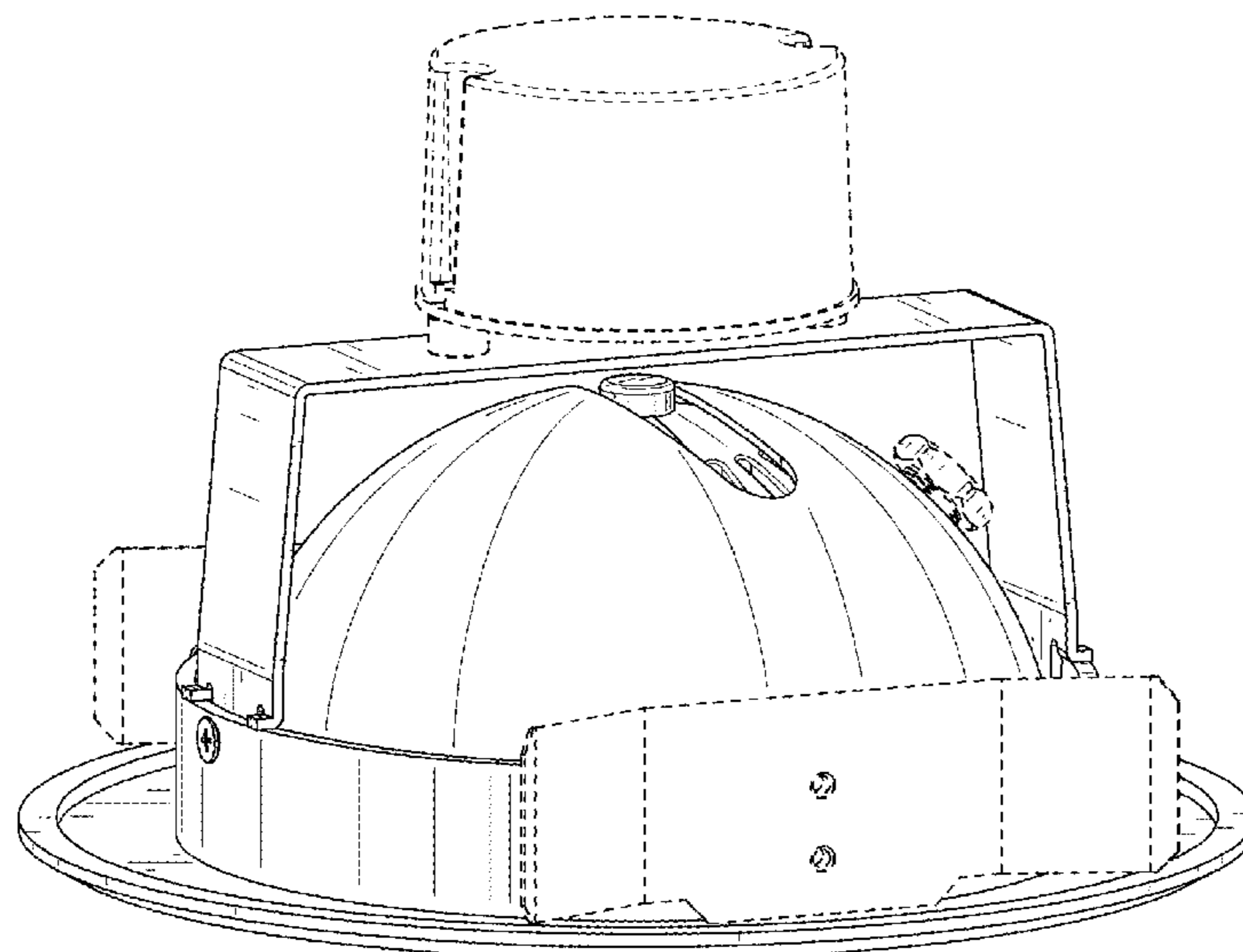
FIG. 9 illustrates a top-down plan view of the recessed lighting fixture, according to the second embodiment.

FIG. 10 illustrates a bottom-up view of the recessed lighting fixture, according to the second embodiment.

FIG. 11 illustrates a top-perspective view of the recessed lighting fixture, according to the second embodiment; and, FIG. 12 illustrates a bottom-perspective view of the recessed lighting fixture, according to the second embodiment.

The broken lines in the drawings are for illustrative purposes only and form no part of the claimed design.

**1 Claim, 12 Drawing Sheets**



(56)

**References Cited**

U.S. PATENT DOCUMENTS

D786,473 S \* 5/2017 Dean ..... D26/74  
2018/0352313 A1 \* 12/2018 Hsu ..... F21V 17/18

\* cited by examiner

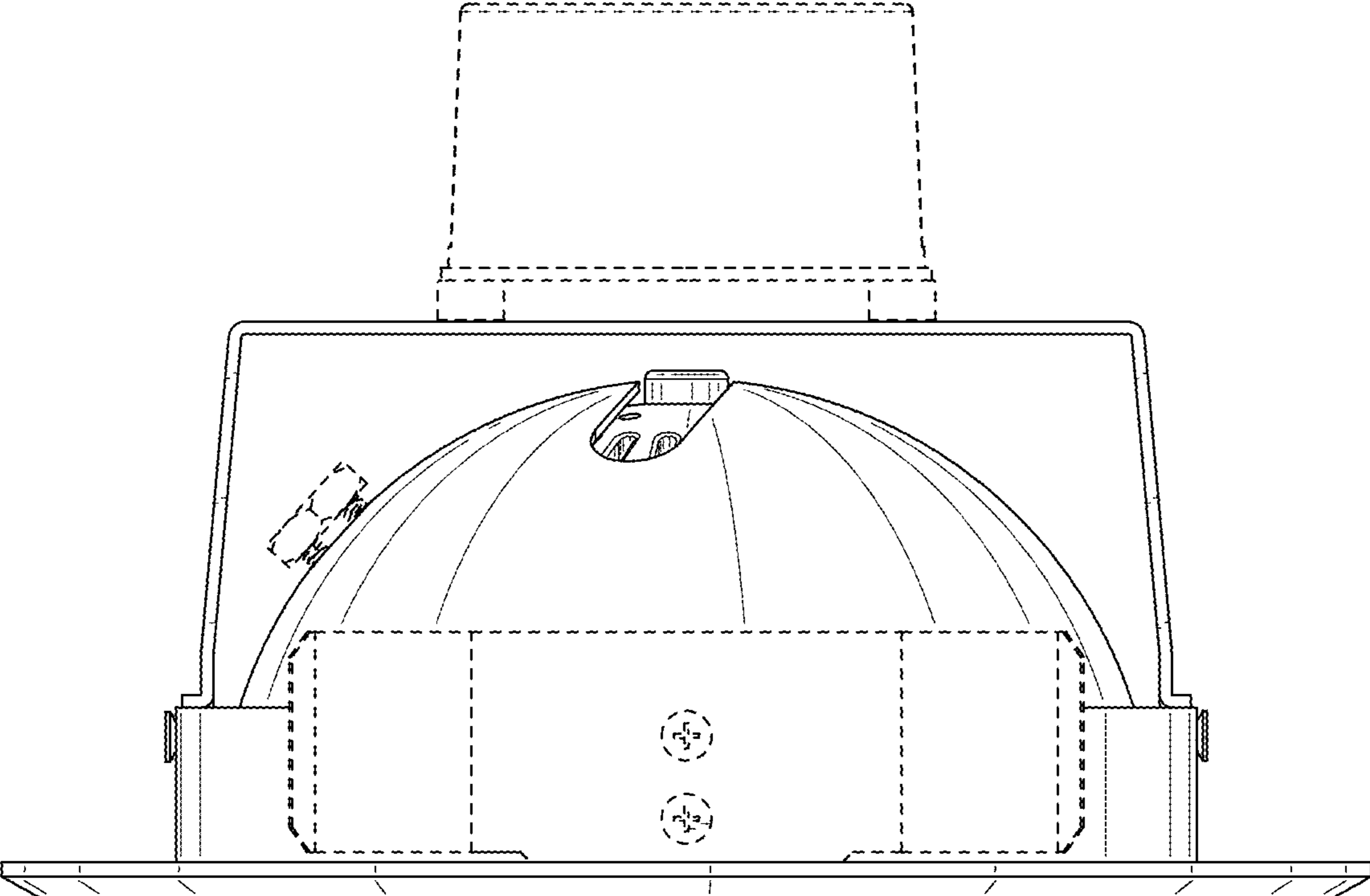


FIG. 1

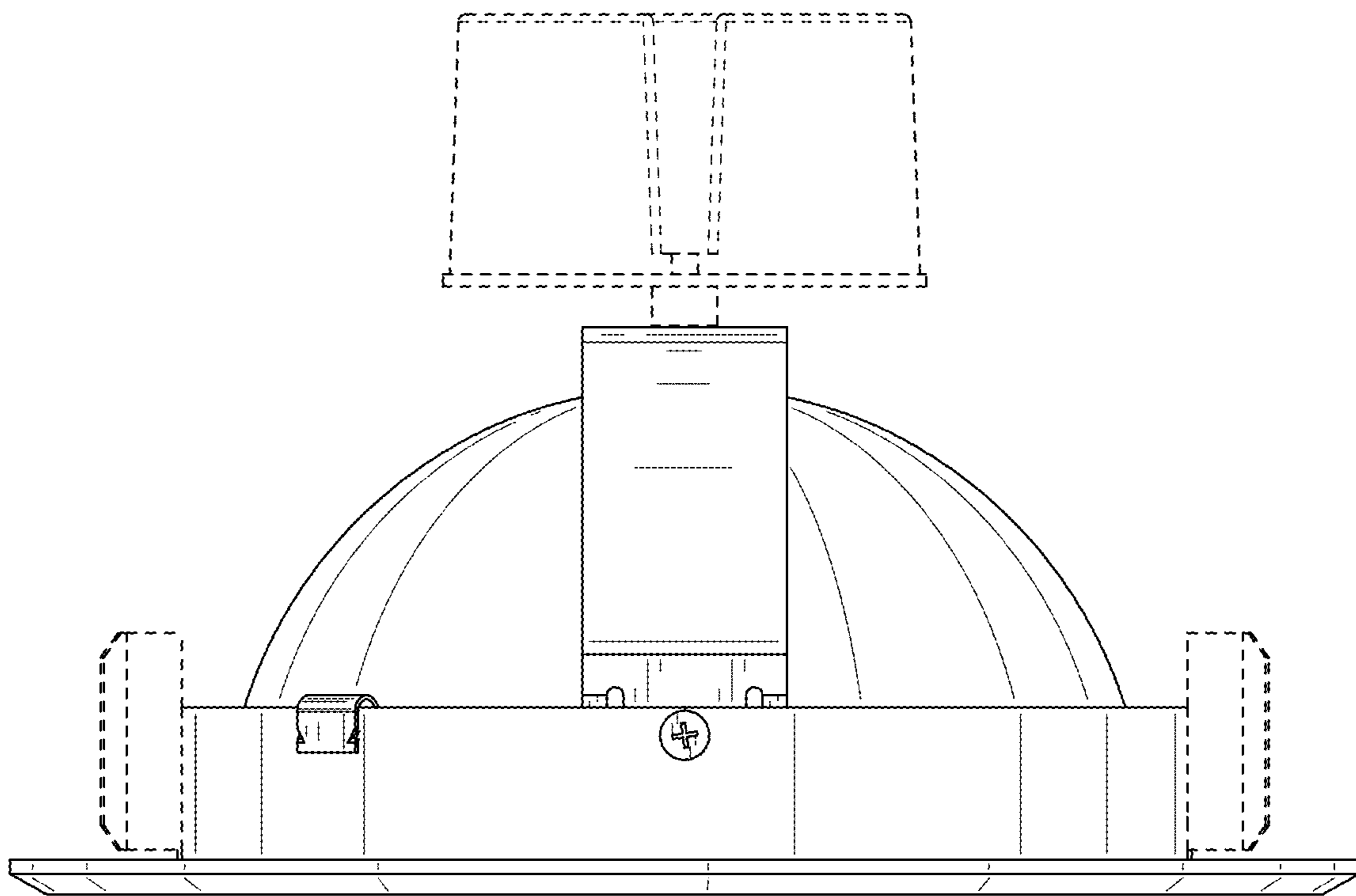


FIG. 2

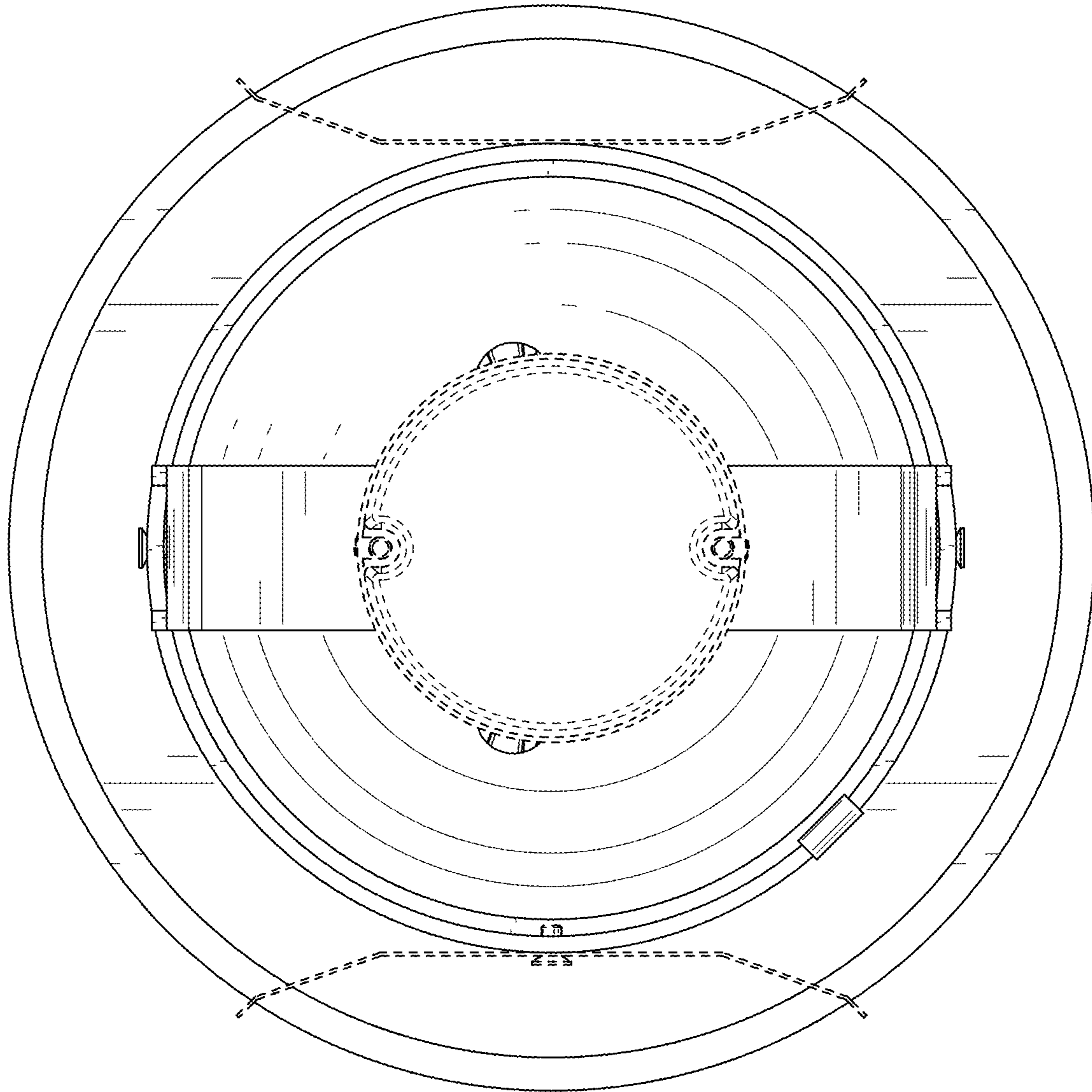


FIG. 3



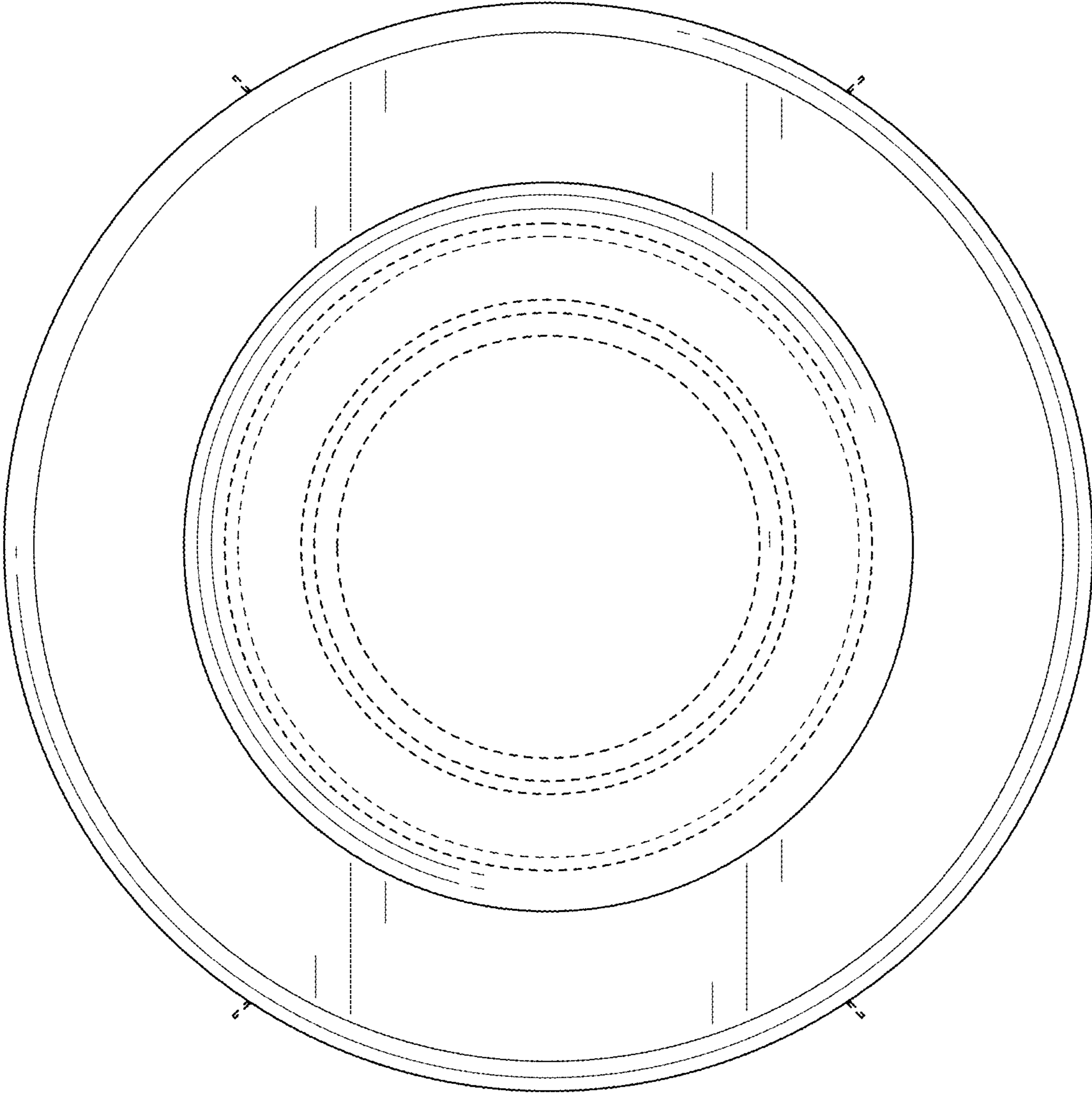


FIG. 4

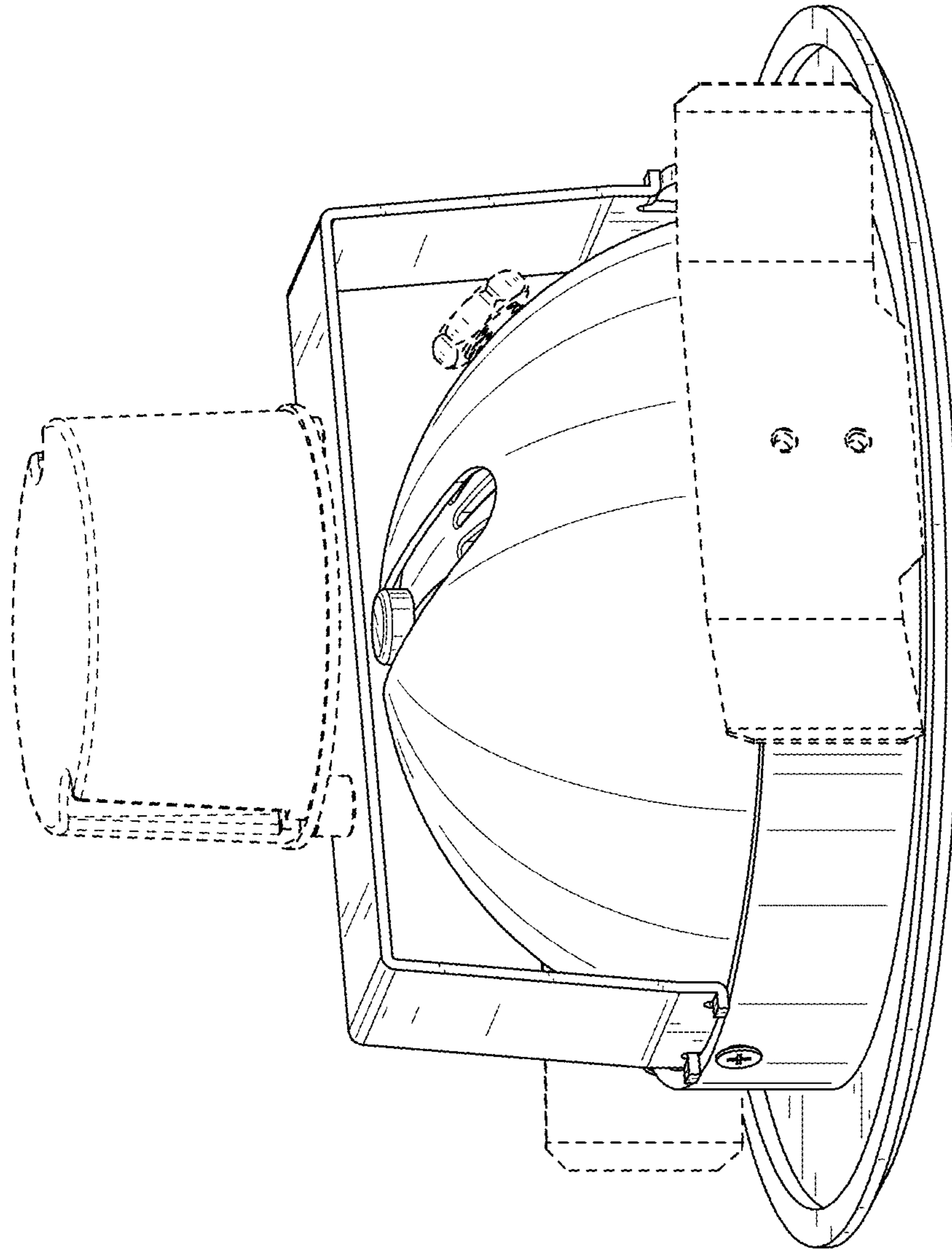


FIG. 5

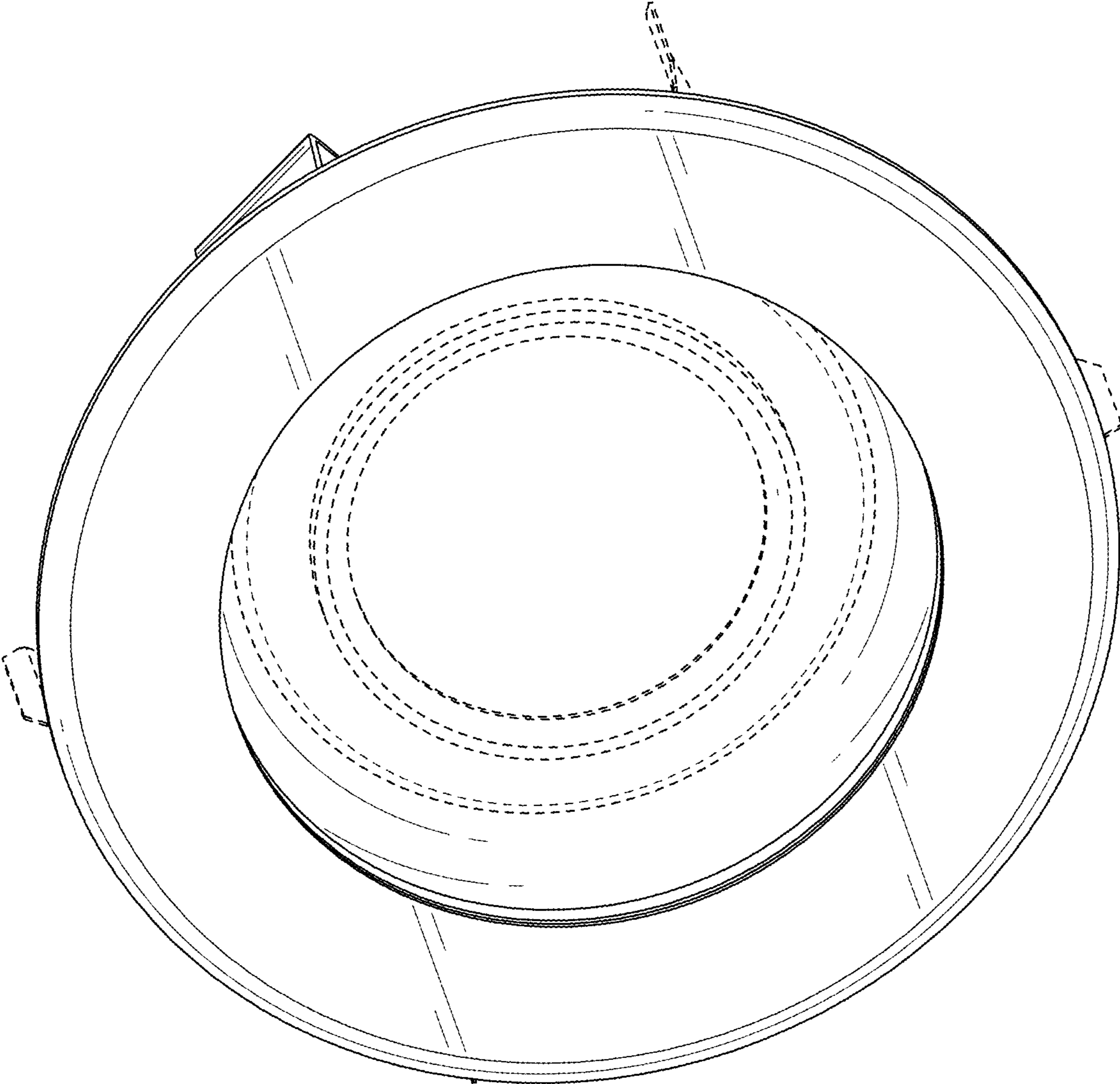


FIG. 6



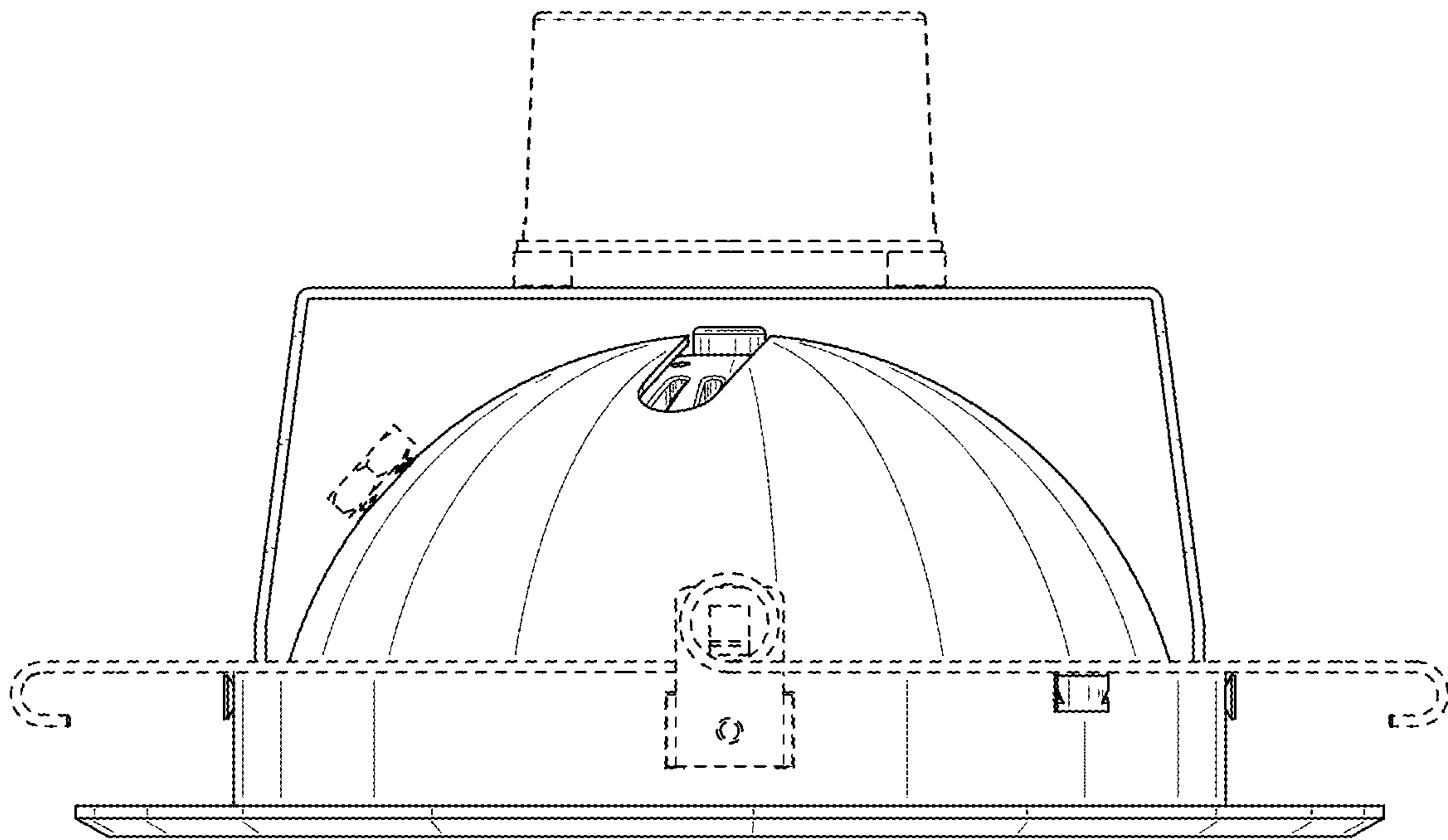


FIG. 7

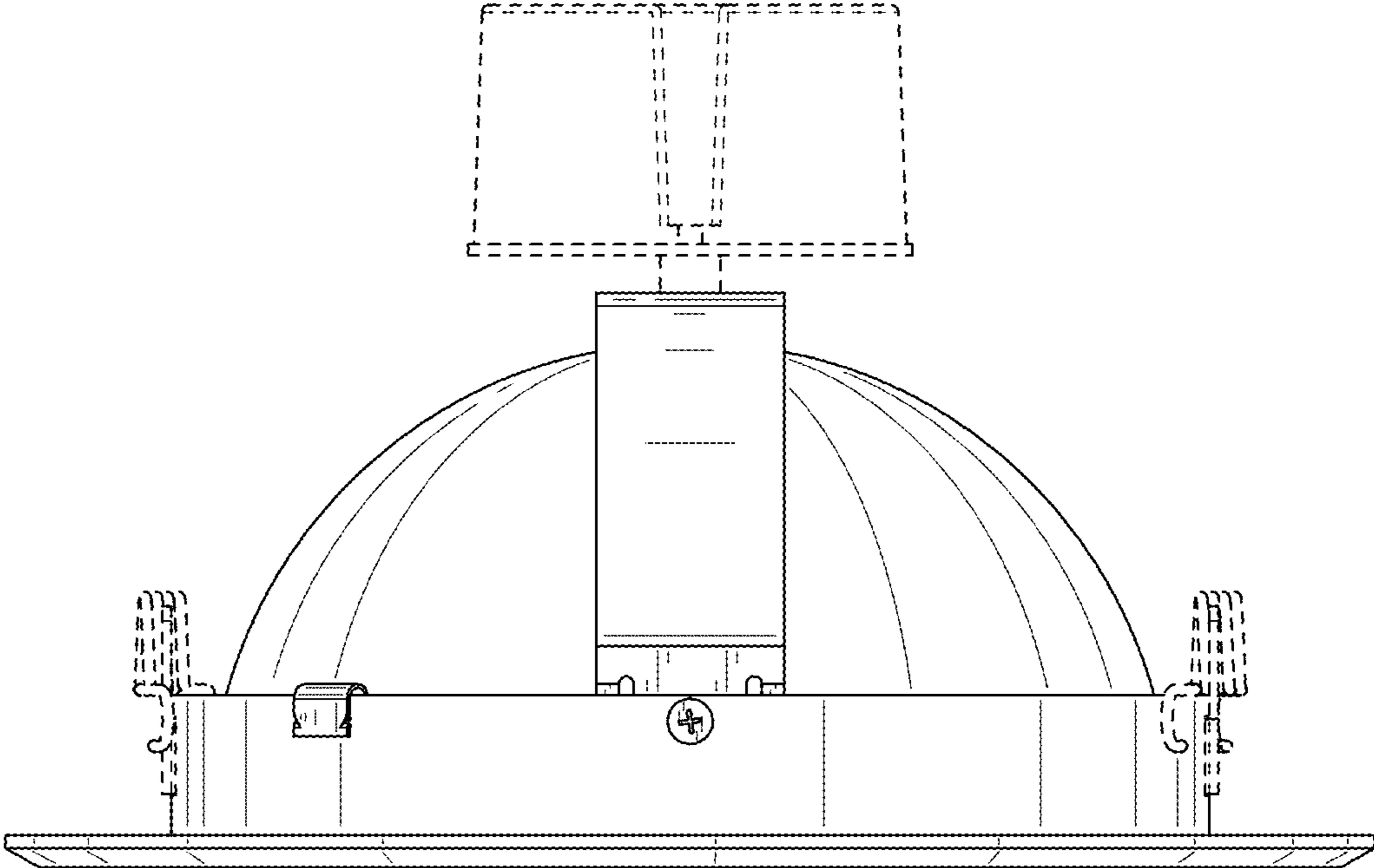


FIG. 8

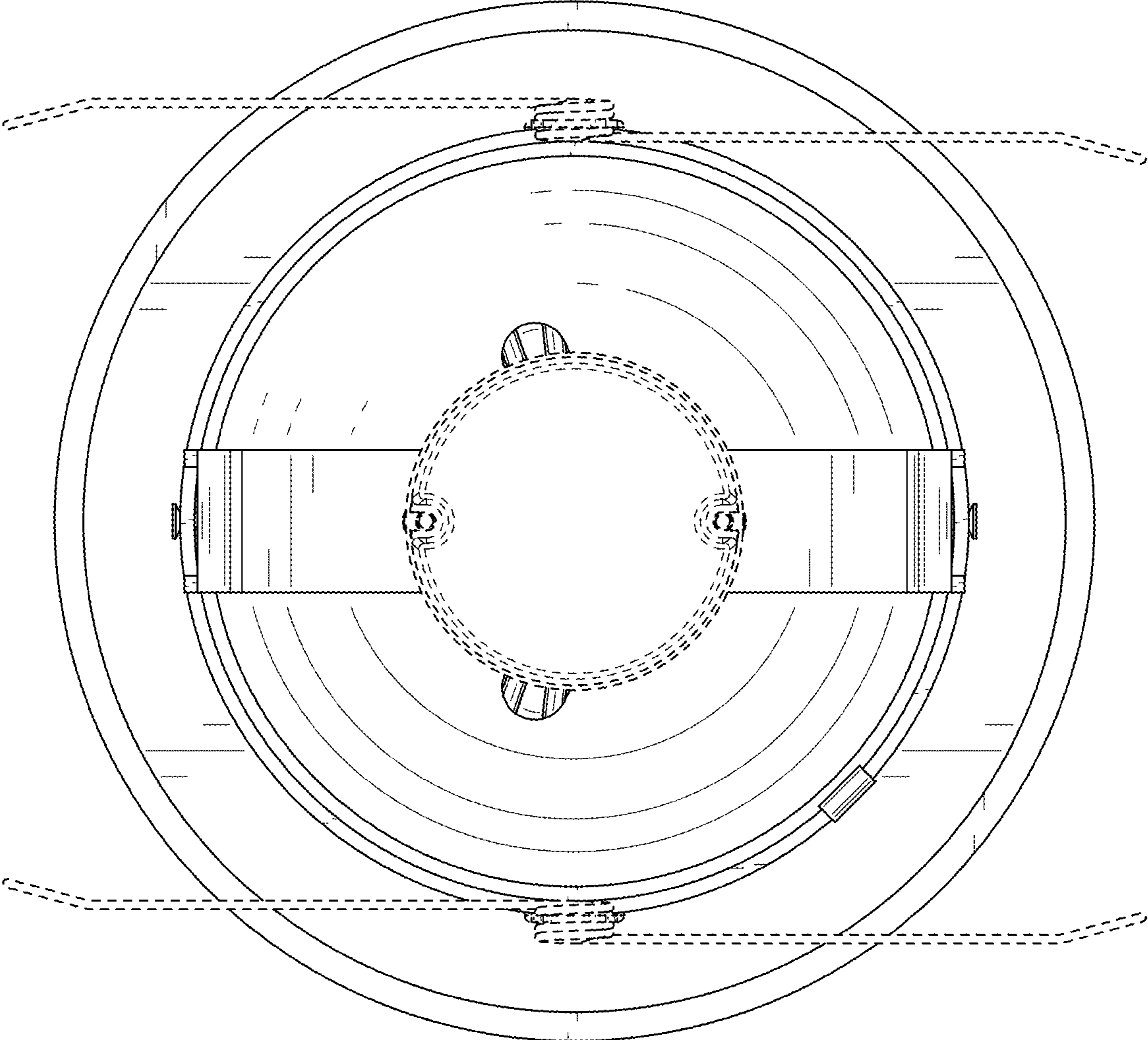


FIG. 9

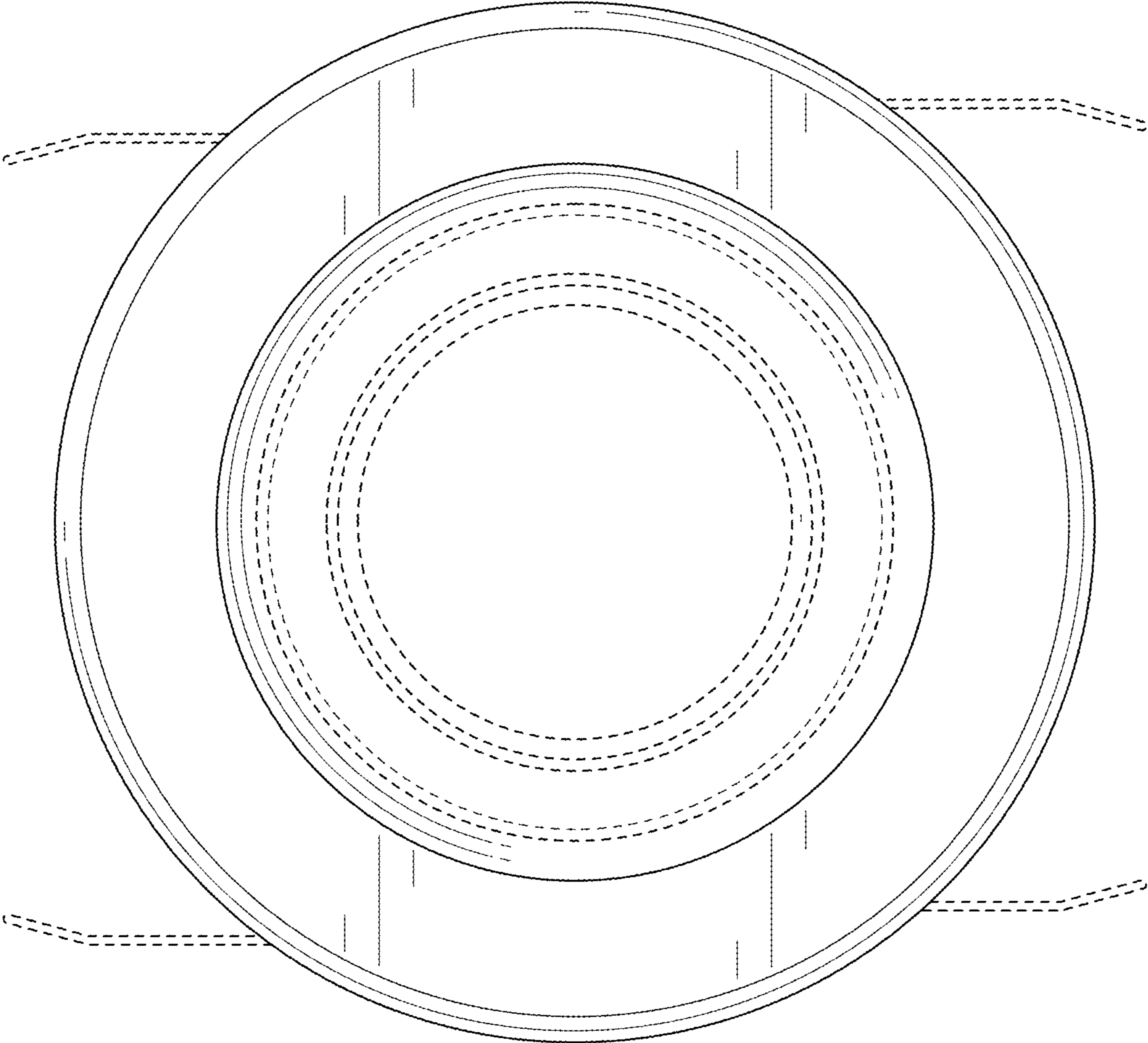


FIG. 10

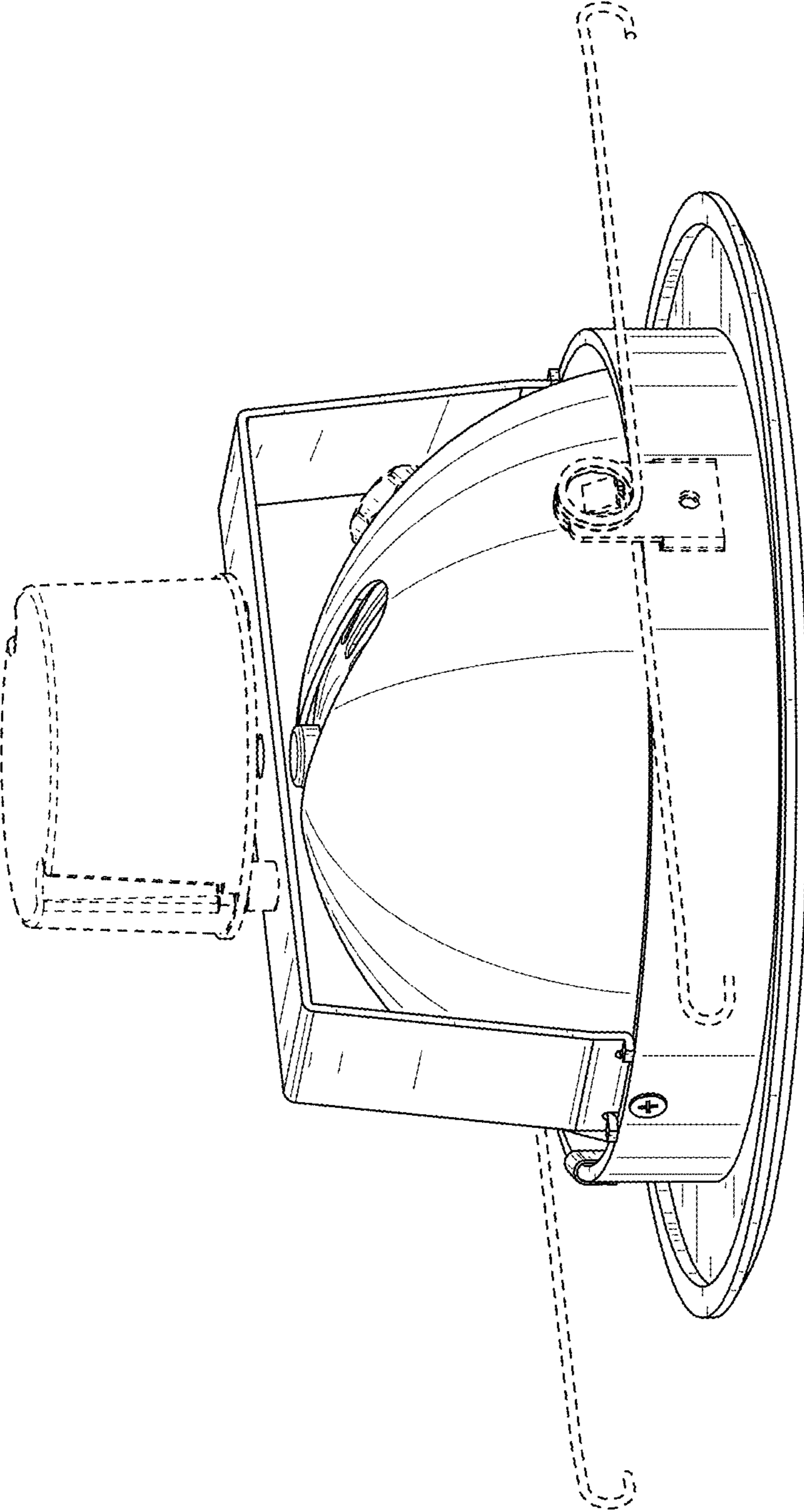


FIG. 11



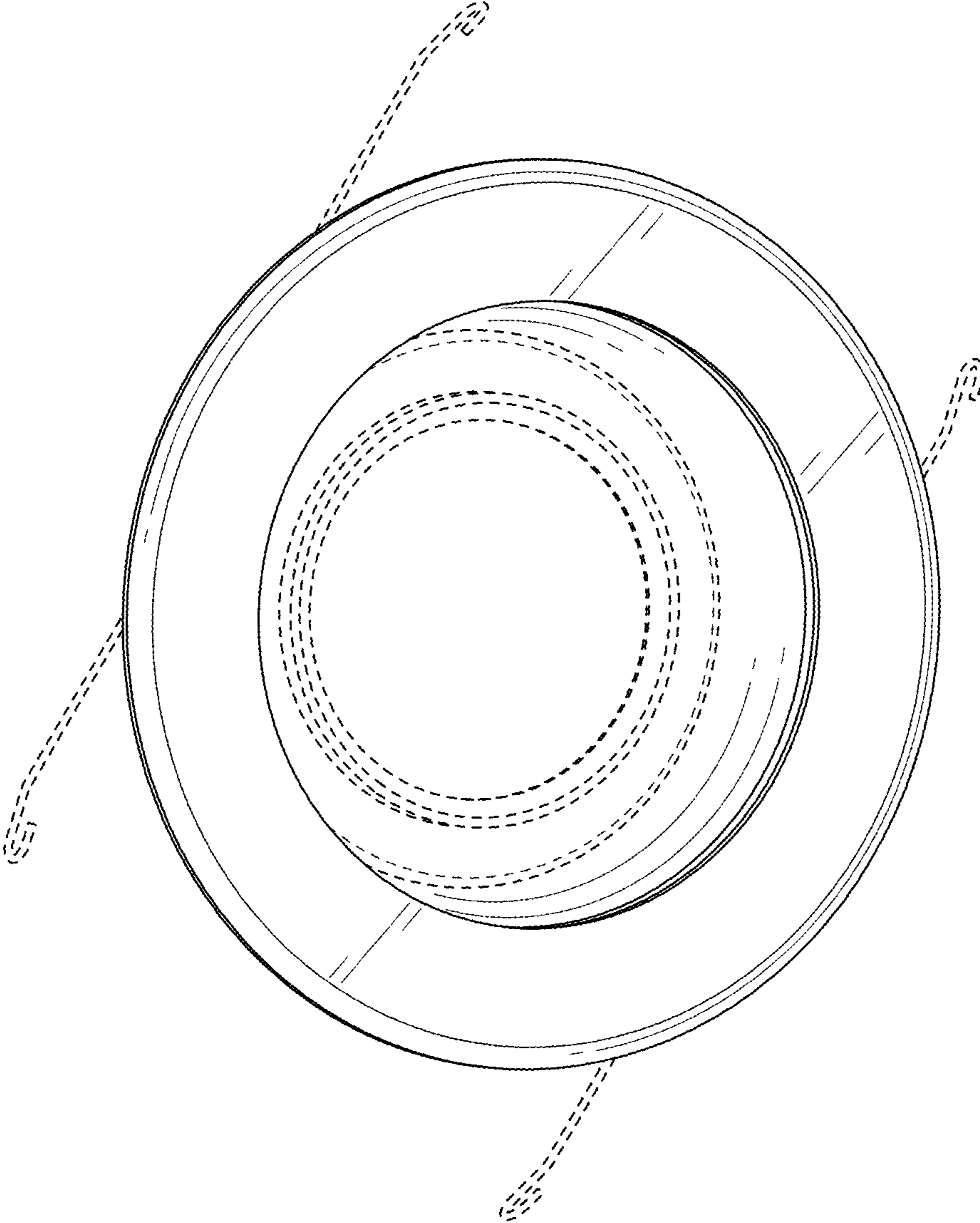


FIG. 12