



US00D917089S

(12) **United States Design Patent** (10) **Patent No.:** **US D917,089 S**  
**Rajasekaran** (45) **Date of Patent:** **\*\* Apr. 20, 2021**

(54) **FLEXIBLE LIGHT**  
(71) Applicant: **E. MISHAN & SONS, INC.**, New York, NY (US)  
(72) Inventor: **Mohan Rajasekaran**, Briston, CT (US)  
(73) Assignee: **E. Mishan & Sons, Inc.**, New York, NY (US)  
(\*\*) Term: **15 Years**  
(21) Appl. No.: **29/741,070**  
(22) Filed: **Jul. 9, 2020**  
(51) **LOC (13) Cl.** ..... **26-03**  
(52) **U.S. Cl.**  
USPC ..... **D26/63; D26/2**  
(58) **Field of Classification Search**  
USPC ..... D26/2, 61, 63, 64, 65  
CPC ..... F21S 6/00; F21S 8/00; F21S 8/024; F21S 8/003; F21V 21/00; F21V 21/06; F21V 21/26; F21V 21/28; F21V 17/02; F21W 2121/10; F21W 2131/30  
See application file for complete search history.

8,534,884 B2 9/2013 Lui  
8,845,132 B2 9/2014 Flaherty et al.  
8,882,297 B2 11/2014 Flaherty et al.  
9,328,911 B2 5/2016 Chen et al.  
9,897,302 B2 2/2018 Flaherty et al.  
9,951,931 B1 4/2018 Lan  
9,951,939 B1 4/2018 Lan  
10,161,575 B2 12/2018 Xiong et al.  
10,274,172 B1 4/2019 Chiu et al.  
D861,926 S 10/2019 Lin  
D884,952 S \* 5/2020 Cao ..... D26/63  
D885,630 S \* 5/2020 Lin ..... D26/63  
D887,610 S \* 6/2020 Wei ..... D26/63  
2004/0114367 A1 6/2004 Li  
2011/0051434 A1 3/2011 Lin  
2011/0170288 A1 7/2011 Kim  
2014/0307431 A1 10/2014 Santashev et al.  
2017/0299151 A1 10/2017 Luo  
2018/0010776 A1 1/2018 Shim

\* cited by examiner

*Primary Examiner* — Brian N. Vinson  
(74) *Attorney, Agent, or Firm* — Notaro, Michalos & Zaccaria P.C.

(57) **CLAIM**

The ornamental design for a flexible light, as shown and described.

(56) **References Cited**

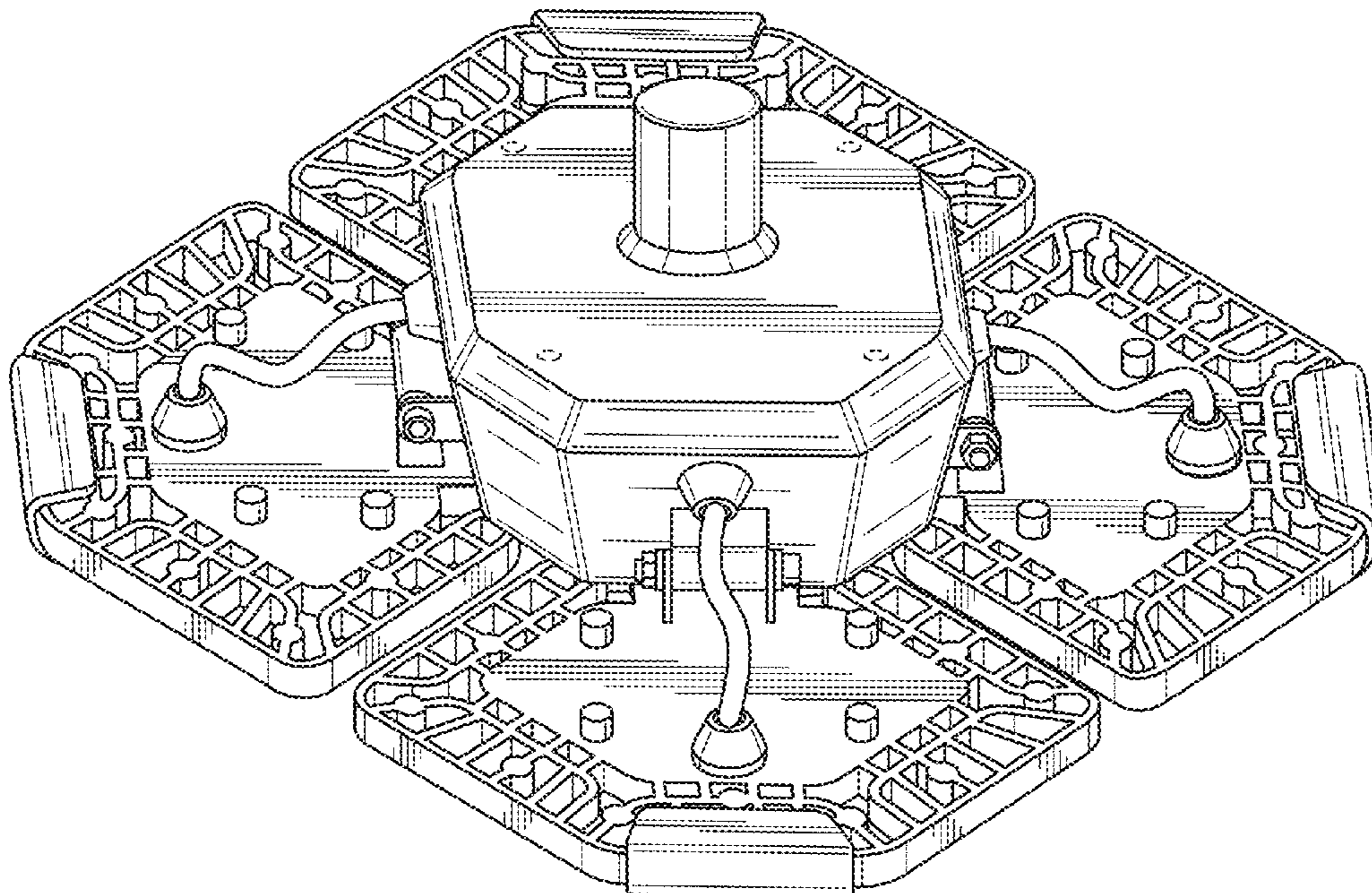
U.S. PATENT DOCUMENTS

7,131,753 B1 11/2006 Edwards, Jr.  
7,407,304 B2 8/2008 Tasson et al.  
D578,695 S \* 10/2008 Zheng ..... D26/70  
D578,696 S 10/2008 Wang et al.  
7,556,398 B2 7/2009 Van Der Poel  
8,047,682 B2 \* 11/2011 Zheng ..... F21S 8/086  
362/249.05  
8,072,123 B1 12/2011 Han  
8,092,047 B2 1/2012 Ma et al.  
8,109,660 B2 2/2012 Hochstein et al.

**DESCRIPTION**

FIG. 1 is a top, front perspective view of a flexible light showing my design therefor;  
FIG. 2 is a left elevational view thereof;  
FIG. 3 is a right elevational view thereof;  
FIG. 4 is a front elevational view thereof;  
FIG. 5 is a rear elevational view thereof;  
FIG. 6 is a top plan view thereof; and,  
FIG. 7 is a bottom plan view thereof.

**1 Claim, 5 Drawing Sheets**



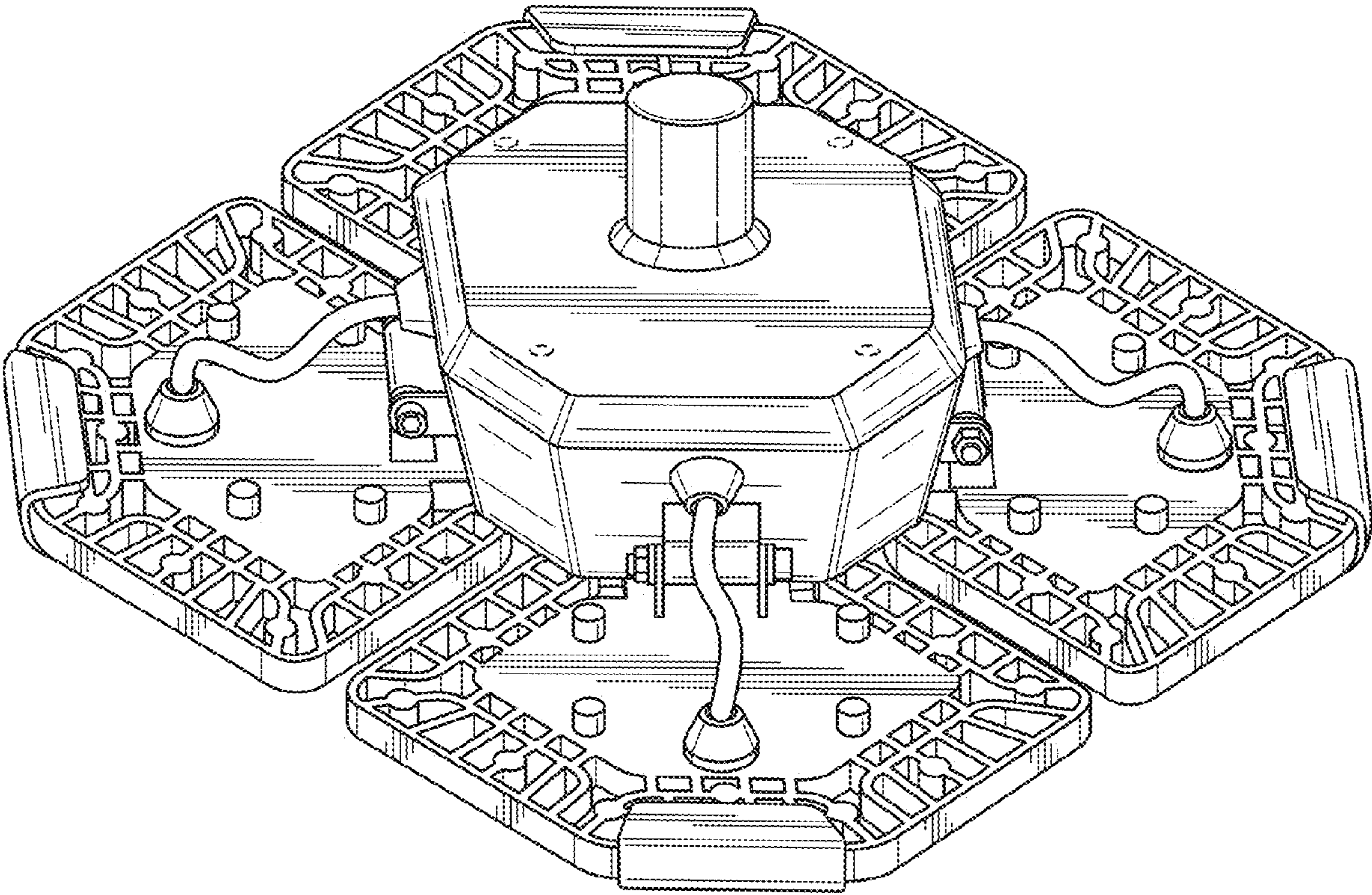


FIG. 1

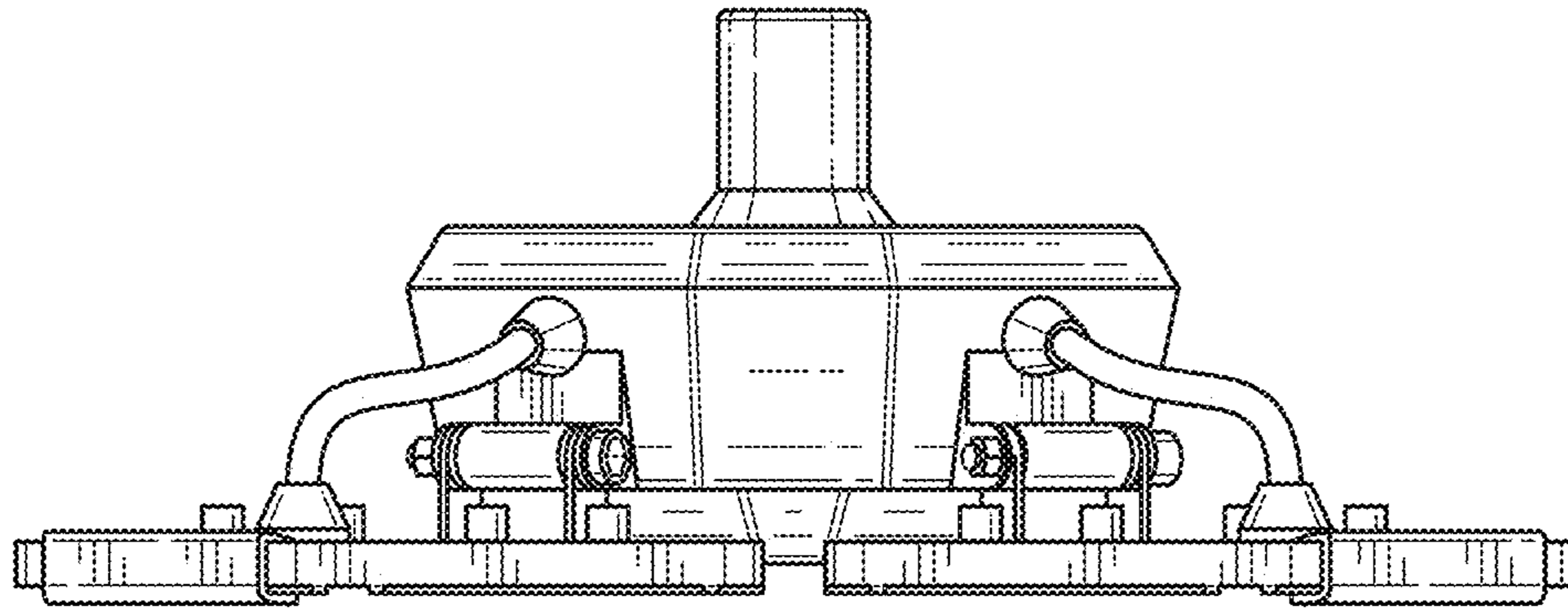


FIG. 2

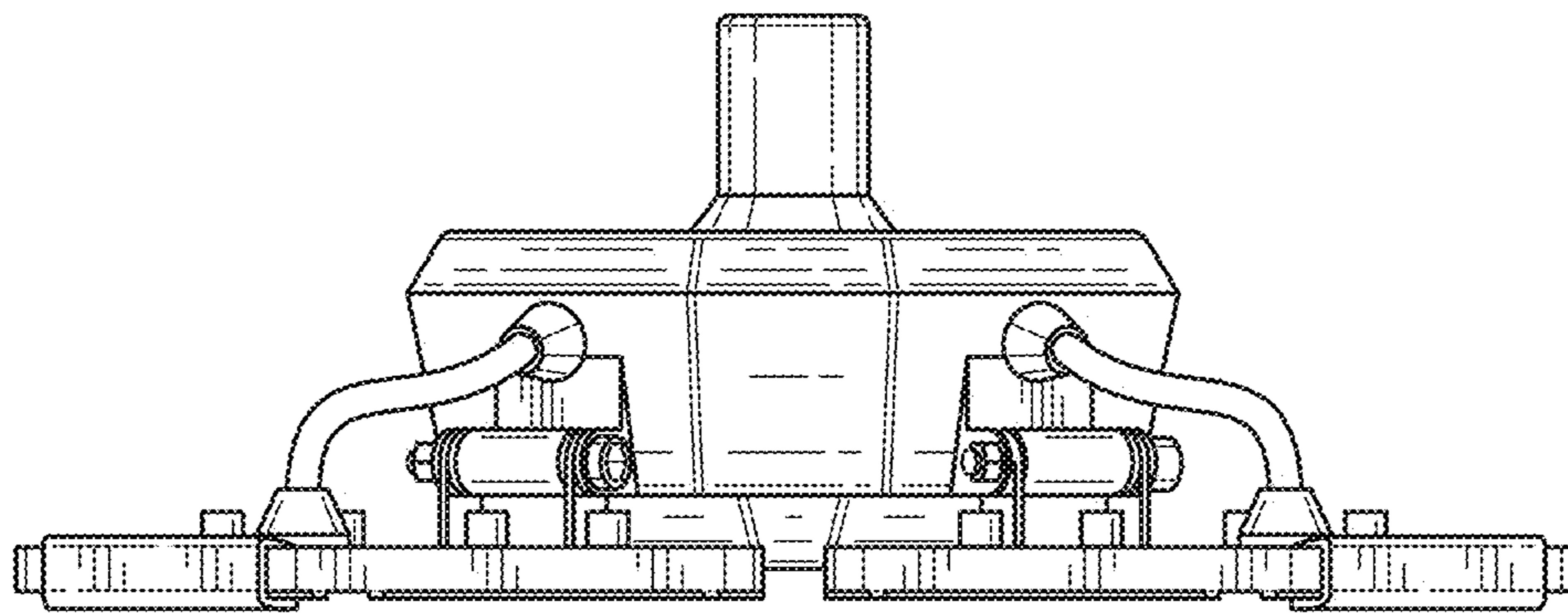


FIG. 3

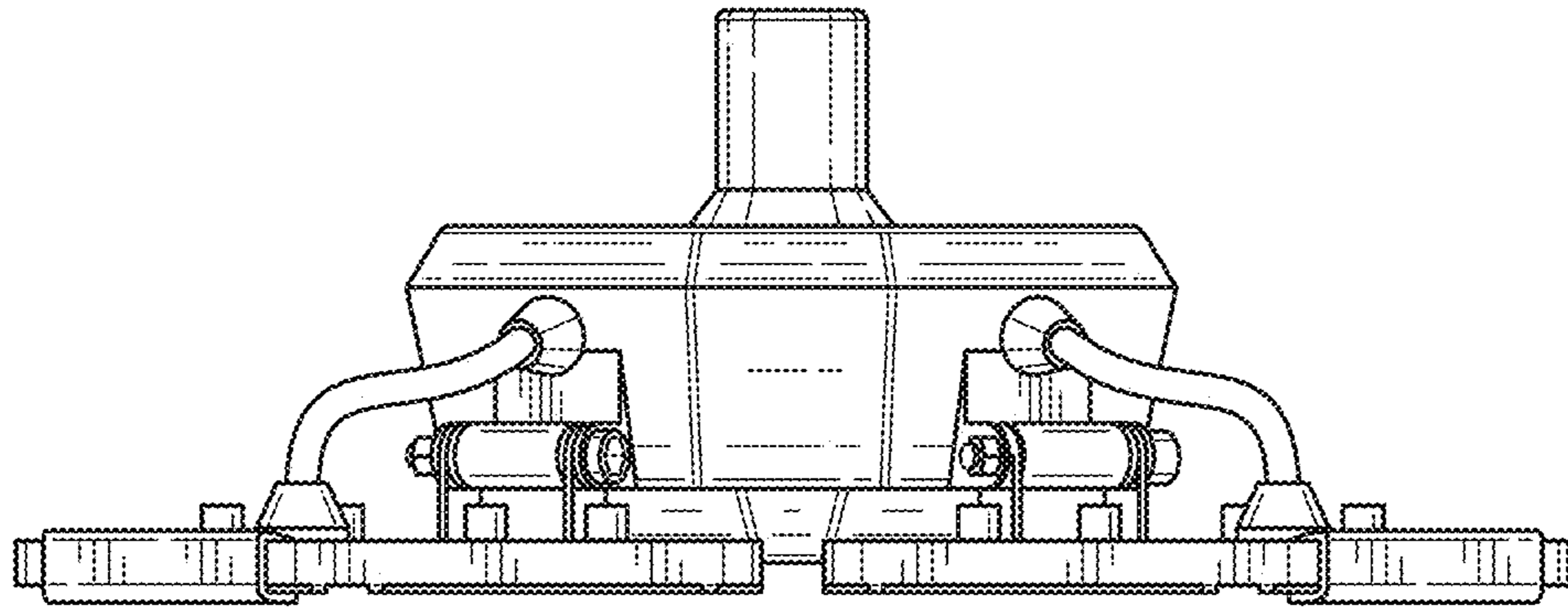


FIG. 4

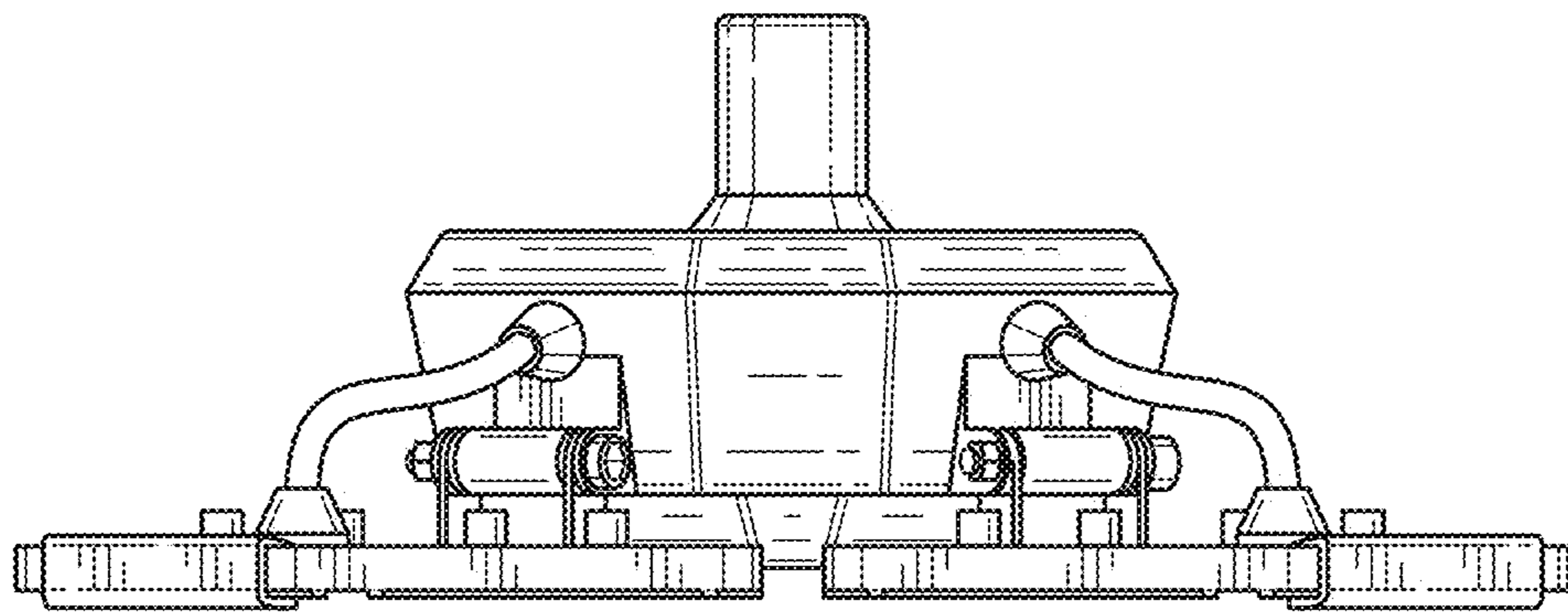


FIG. 5

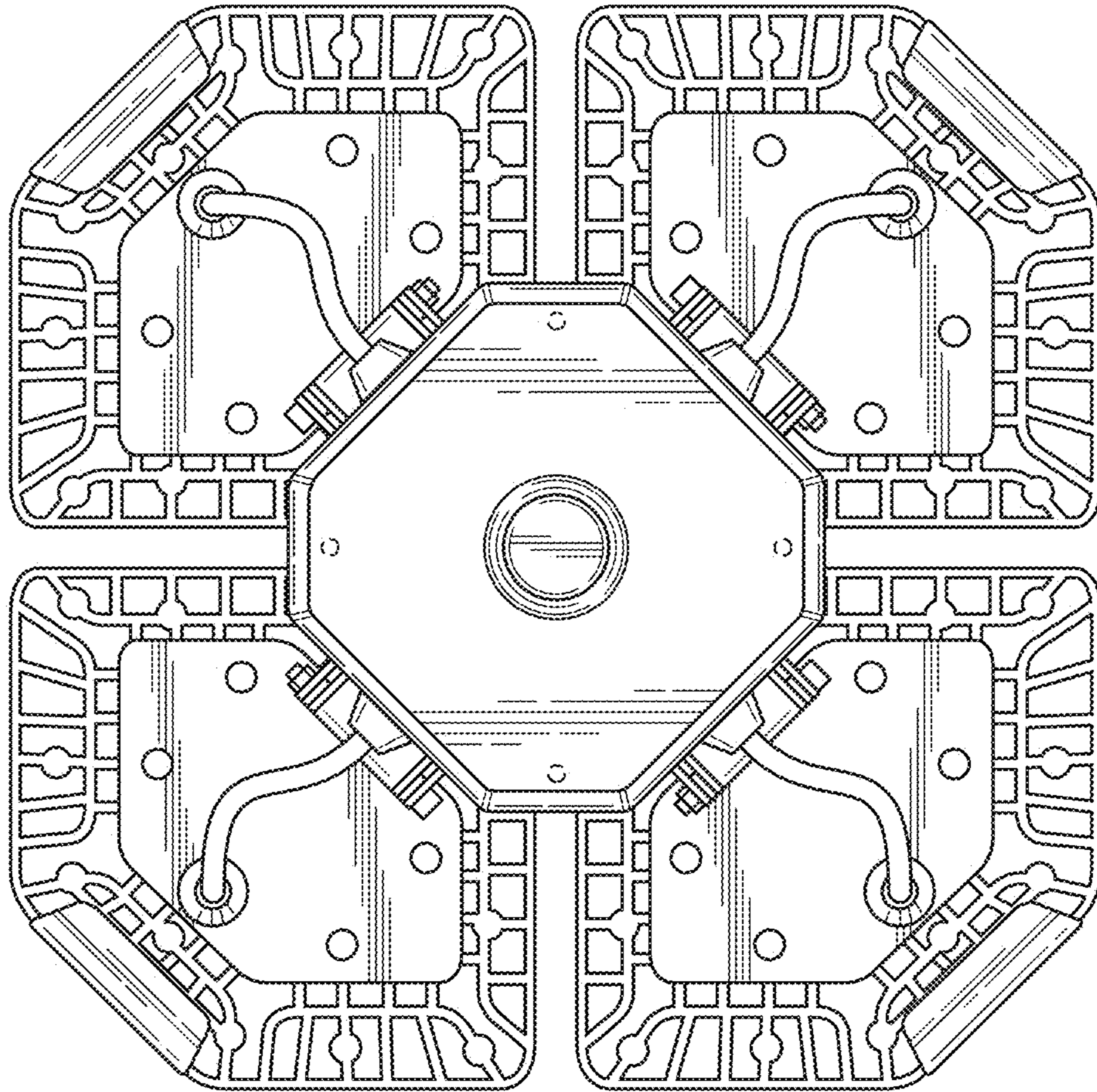


FIG. 6

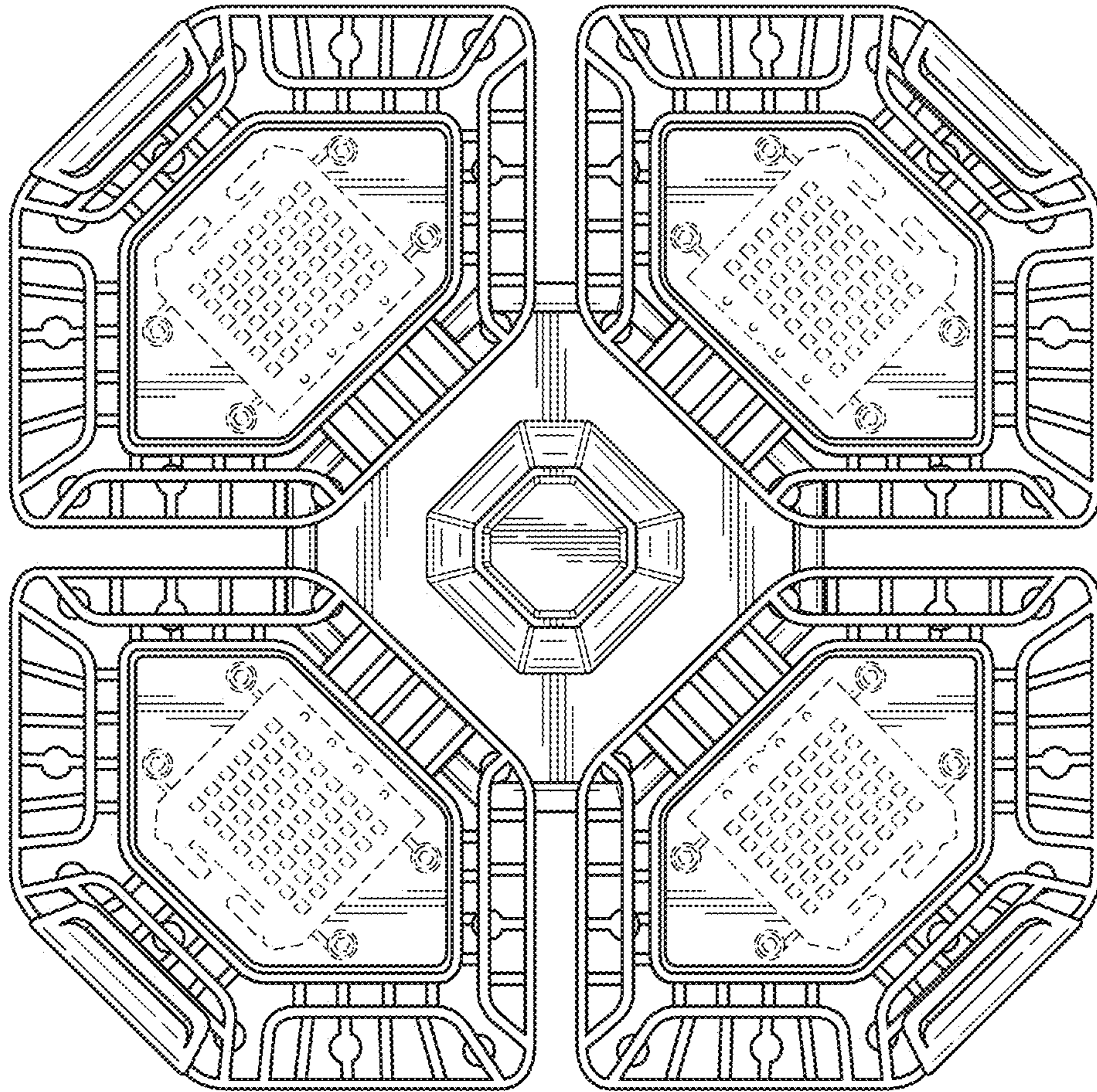


FIG. 7