



US00D917088S

(12) **United States Design Patent**
Xia

(10) **Patent No.:** **US D917,088 S**

(45) **Date of Patent:** **** Apr. 20, 2021**

(54) **NIGHT LIGHT**

(71) Applicant: **Da Xia**, Wuhan (CN)

(72) Inventor: **Da Xia**, Wuhan (CN)

(**) Term: **15 Years**

(21) Appl. No.: **29/706,530**

(22) Filed: **Sep. 20, 2019**

(51) **LOC (13) Cl.** **26-05**

(52) **U.S. Cl.**
USPC **D26/60**

(58) **Field of Classification Search**

USPC D26/1, 24, 39, 60, 61-66, 72, 97; D8/72,
D8/73, 394, 396; D10/104.1, 106.1,
D10/114.1, 114.2, 114.3; 362/157, 171,
362/362, 365, 368, 370, 473, 474, 486
CPC F21W 2107/00; F21W 2107/13; F21W
2107/17; F21S 9/00; F21S 9/02; F21S
9/22; F21S 41/18; F21S 41/19; F21S
41/192-198; F21S 8/00; F21S 8/02; F21S
8/03; F21S 8/06; F21S 8/003; F21S
8/043; F21V 15/01; F21V 15/04
See application file for complete search history.

(56) **References Cited**

U.S. PATENT DOCUMENTS

D498,550 S * 11/2004 Chen D26/28
D524,975 S * 7/2006 Oas D26/56

D541,447 S * 4/2007 Ueda D26/28
D578,691 S * 10/2008 Lau D26/39
D825,823 S * 8/2018 Ren D26/107
D851,311 S * 6/2019 Fan D26/60
D874,700 S * 2/2020 Shirota D26/60
D882,839 S * 4/2020 Mao D26/39

* cited by examiner

Primary Examiner — Wan Laymon
Assistant Examiner — Clint A Samuel

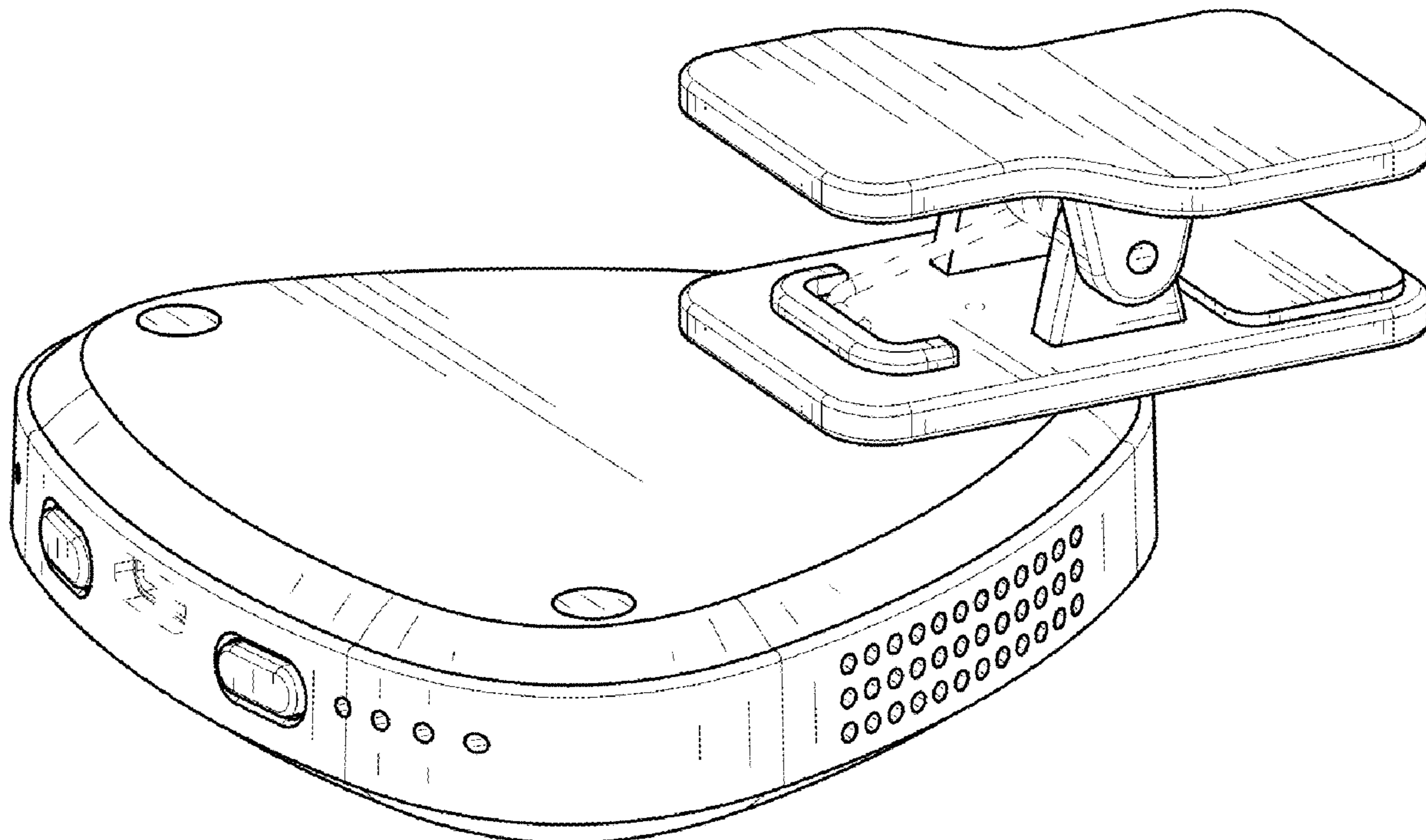
(57) **CLAIM**

The ornamental design for a night light, as shown and described.

DESCRIPTION

FIG. 1 is a first perspective view of a night light showing the claimed new design;
FIG. 2 is a front elevational view thereof;
FIG. 3 is a rear elevational view thereof;
FIG. 4 is a left side elevational view thereof;
FIG. 5 is a right side elevational view thereof;
FIG. 6 is a top plan view thereof;
FIG. 7 is a bottom plan view thereof; and,
FIG. 8 is a perspective view of a watchband attached to the night light when it is in use.
The broken lines shown in drawings are included for the purpose of illustrating portions of the night light and environmental structure, and form no part of the claimed design.

1 Claim, 8 Drawing Sheets



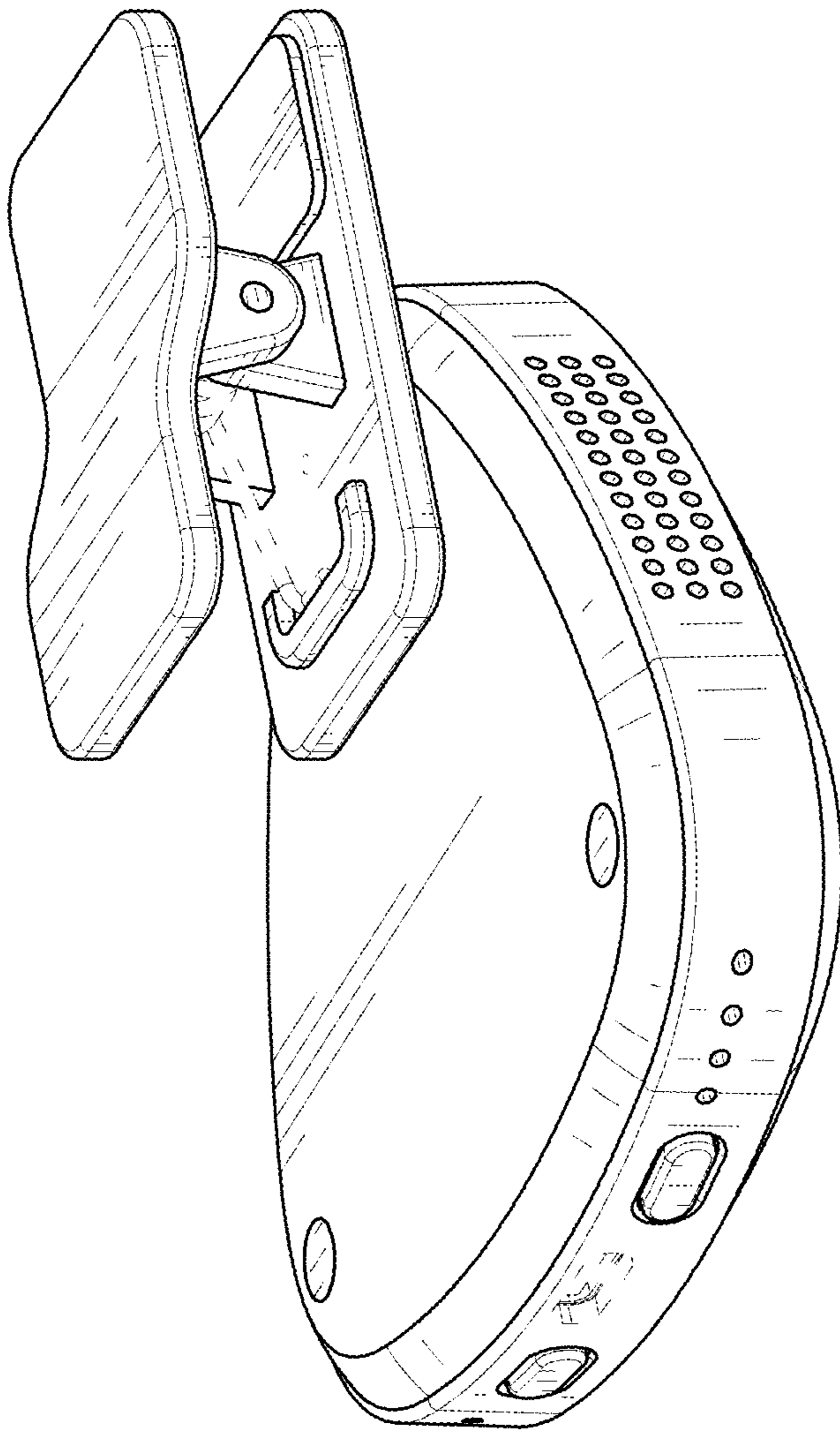


FIG.1

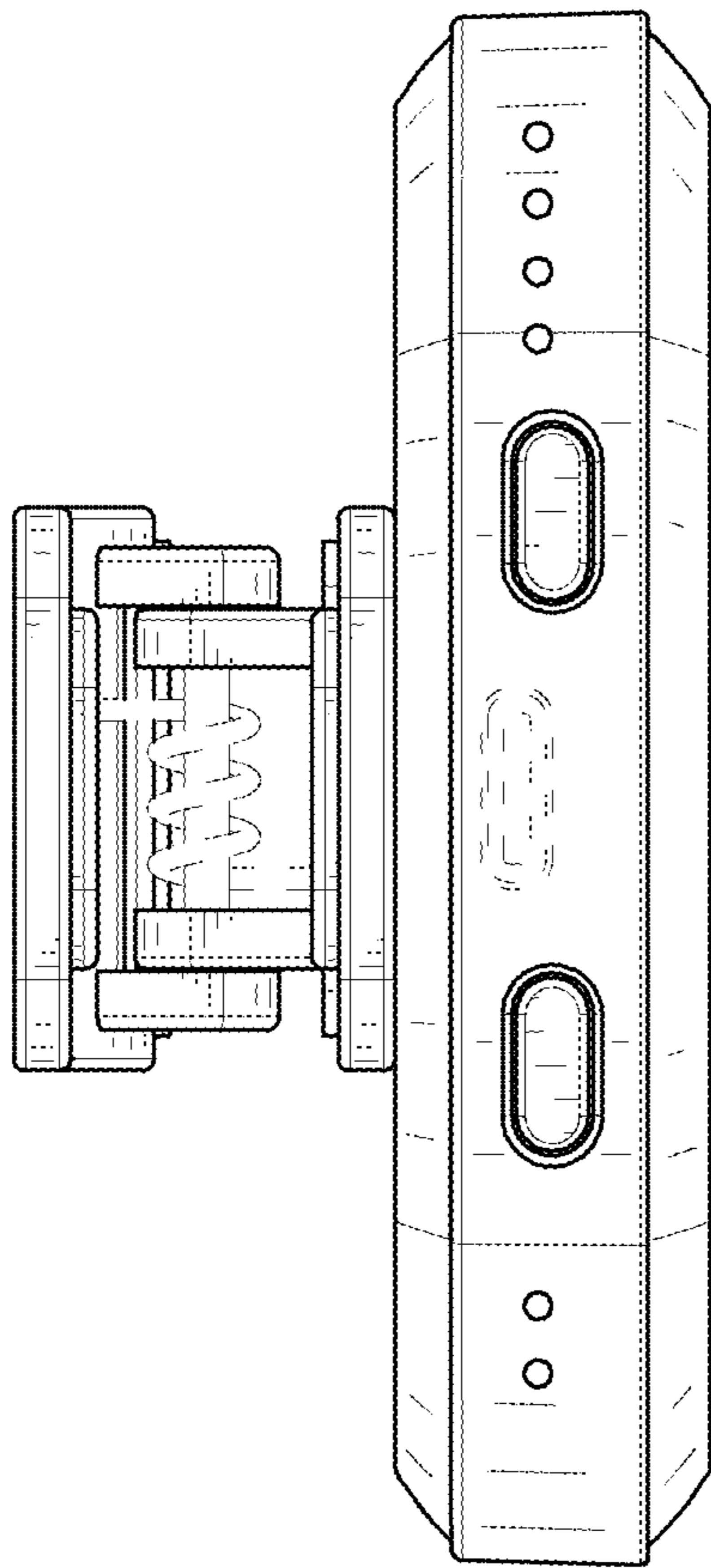


FIG. 2

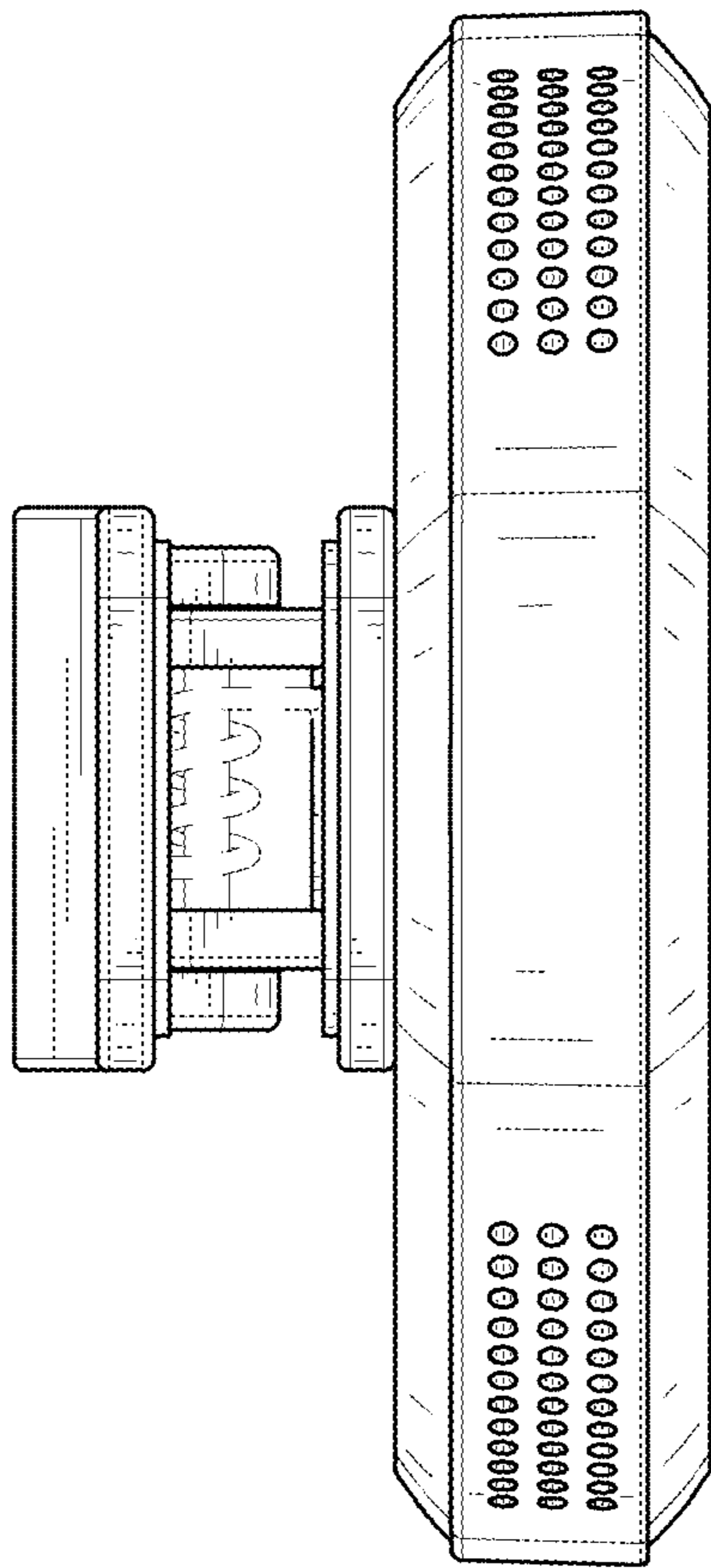


FIG. 3

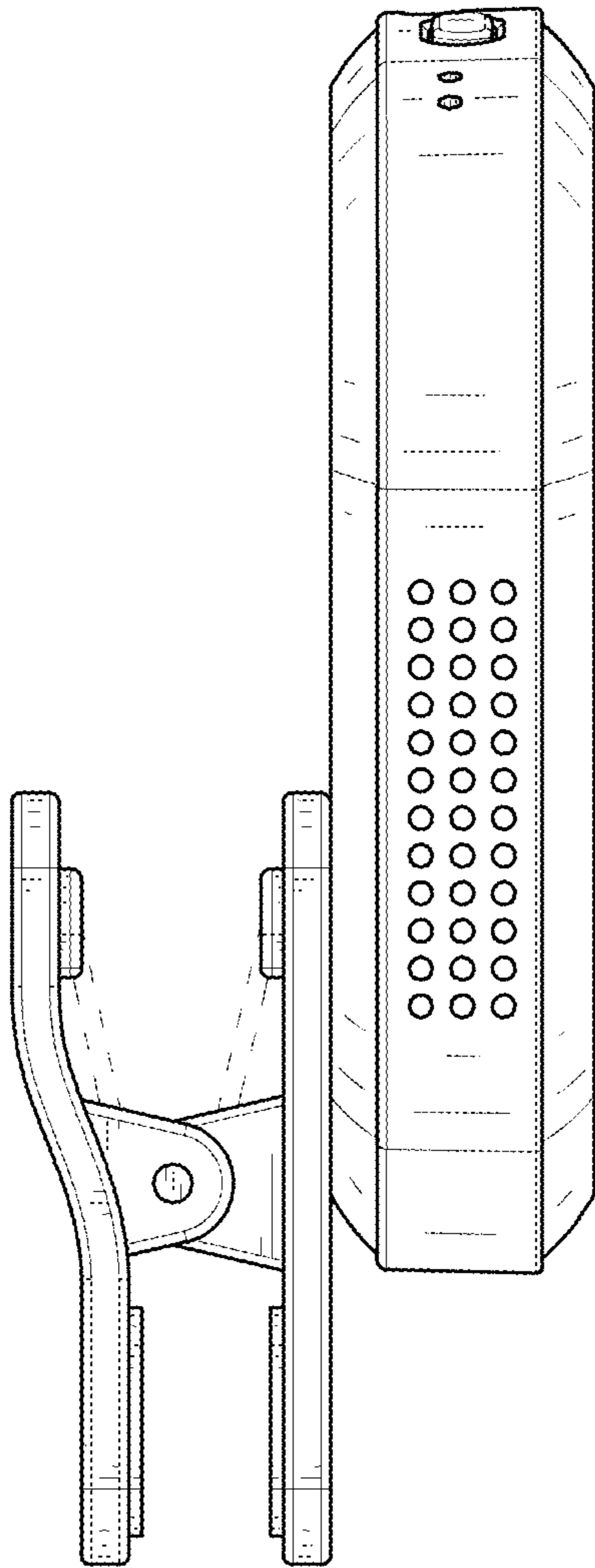


FIG.4

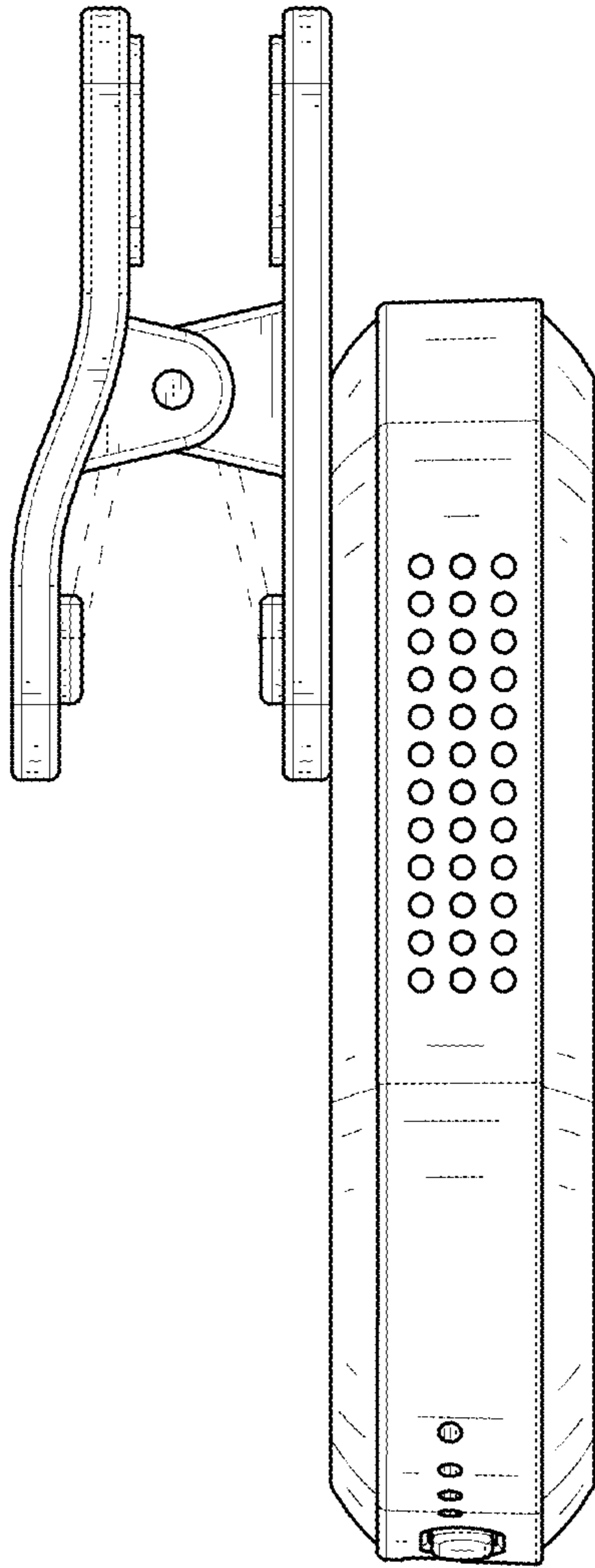


FIG. 5

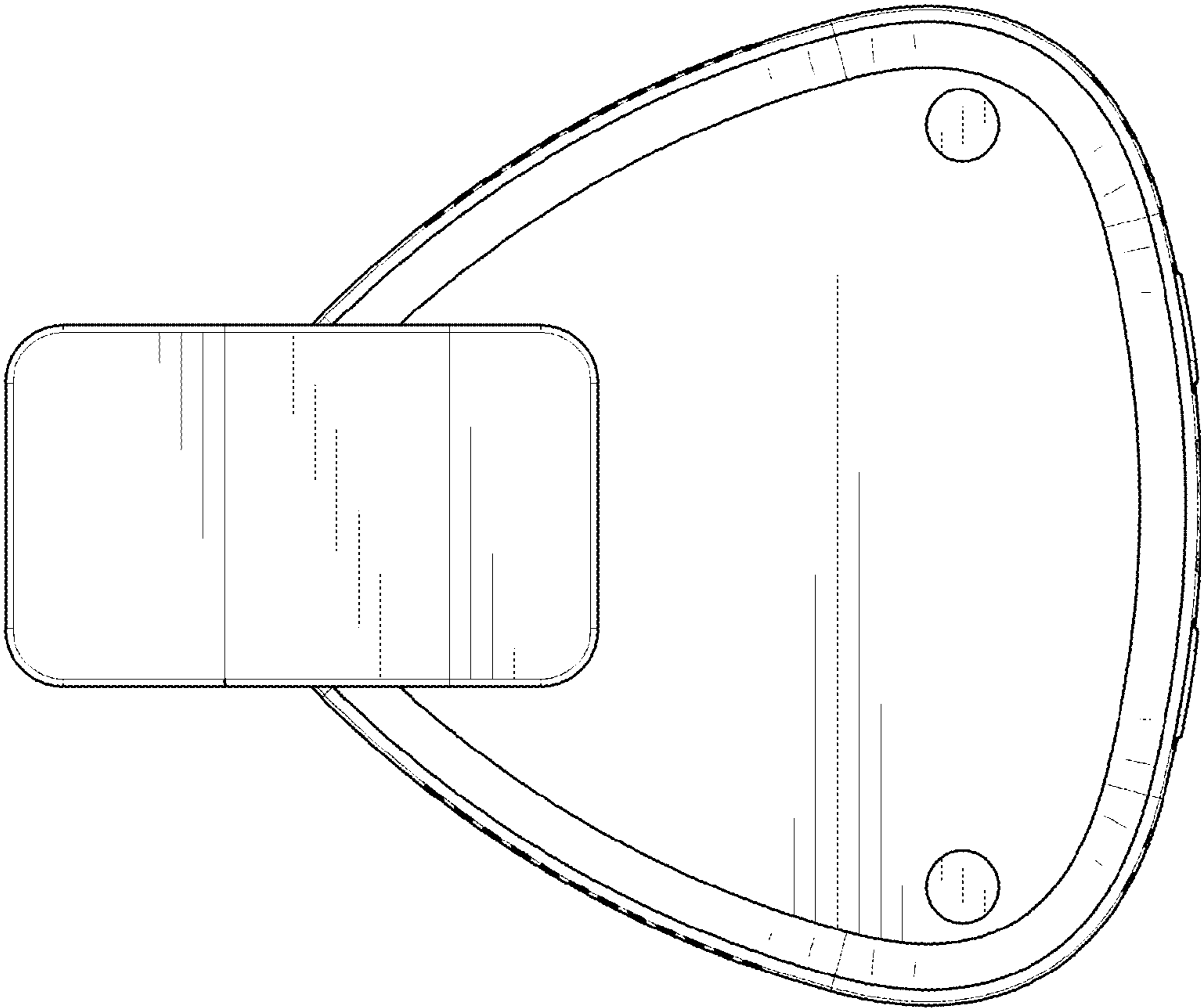


FIG.6

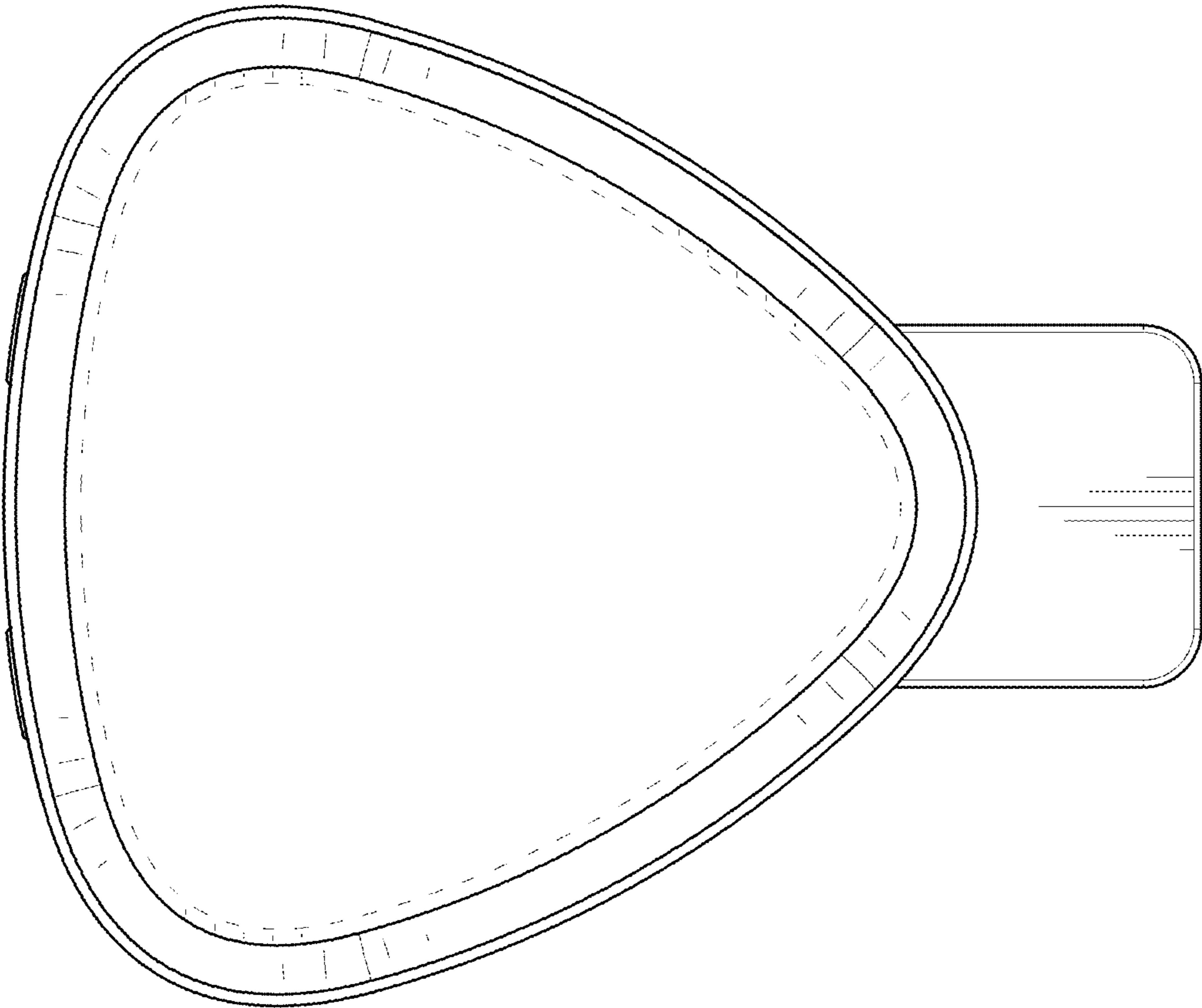


FIG. 7

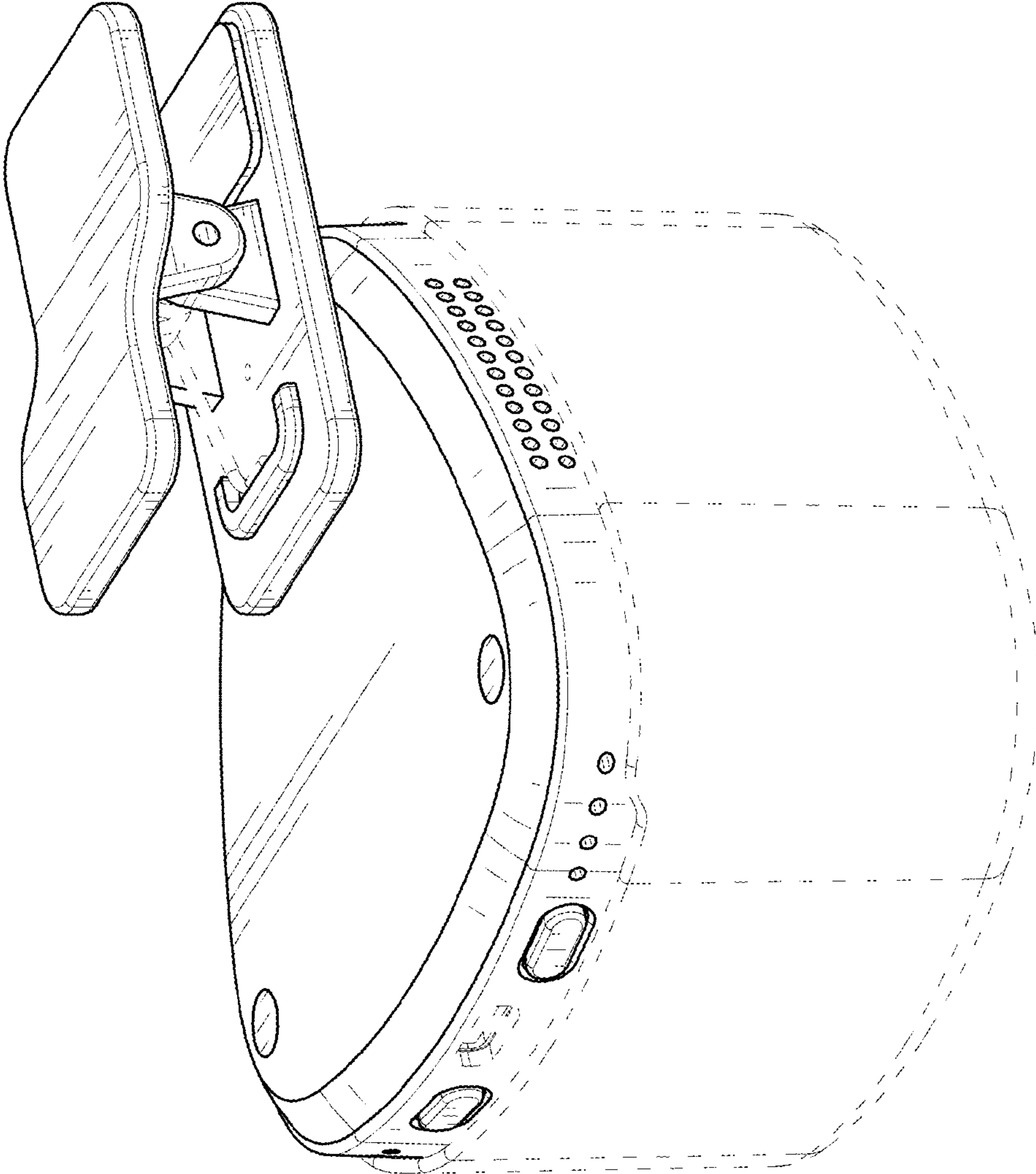


FIG.8