



US00D917087S

(12) **United States Design Patent**
Qiu

(10) **Patent No.:** **US D917,087 S**

(45) **Date of Patent:** **** Apr. 20, 2021**

(54) **FLASHLIGHT**

(71) Applicant: **NINGBO FUTAI ELECTRIC LIMITED**, Zhejiang (CN)

(72) Inventor: **Fujun Qiu**, Ningbo (CN)

(73) Assignee: **Ningbo Futai Electric Limited**, Zhejiang (CN)

(**) Term: **15 Years**

(21) Appl. No.: **29/665,357**

(22) Filed: **Oct. 2, 2018**

(30) **Foreign Application Priority Data**

Apr. 13, 2018 (CN) 201830151420.9

(51) **LOC (13) Cl.** **26-02**

(52) **U.S. Cl.**
USPC **D26/49**

(58) **Field of Classification Search**
USPC D26/37-38, 40-42, 46, 49-50
CPC F21L 2003/00; F21L 4/00; F21L 4/005;
F21L 4/02; F21L 4/022; F21L 4/025;
F21L 4/027; F21L 4/04; F21L 4/045;
F21L 4/08; F21L 4/085; F21L 2005/00;
F21L 14/02

See application file for complete search history.

(56) **References Cited**

U.S. PATENT DOCUMENTS

D501,054 S *	1/2005	Galli	D26/37
D557,840 S *	12/2007	Shiu	D26/37
D567,416 S *	4/2008	Shiu	D26/37
D567,976 S *	4/2008	Shiu	D26/37
D577,449 S *	9/2008	Shiu	D26/49
D586,489 S *	2/2009	Shiu	D26/49
D629,542 S *	12/2010	Robinson	D26/49

D710,526 S *	8/2014	Lee	D26/49
D716,984 S *	11/2014	Inskeep	D26/49
D769,496 S *	10/2016	Inskeep	D26/49
D814,087 S *	3/2018	Cao	D26/49
10,260,688 B2 *	4/2019	Horne	F21L 4/027
D881,432 S *	4/2020	Windom	D26/49

OTHER PUBLICATIONS

amazon.co.uk: CISNO Tactical Flashlight Led 1000LM Hunting Flashlight. Date uploaded Dec. 28, 2019 [site visited Sep. 11, 2020]. Retrieved from internet, <<https://www.amazon.co.uk/Everbeam-E2-Flashlight-Rechargeable-Adjustable/dp/B06Y2RM547/ref=...>> (Year: 2019).*

(Continued)

Primary Examiner — Sheryl Lane

Assistant Examiner — Stacey L Hopkins

(74) *Attorney, Agent, or Firm* — Raymond Y. Chan; David and Raymond Patent Firm

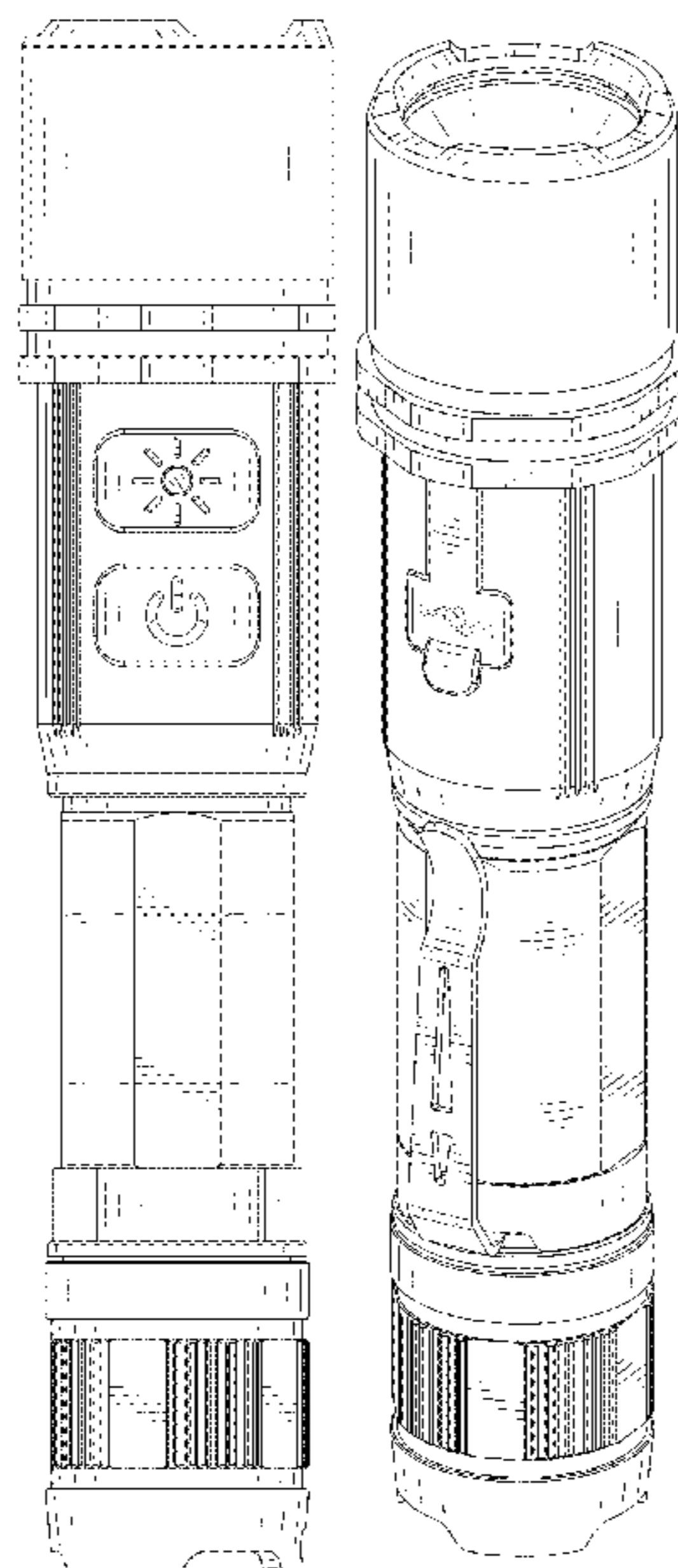
(57) **CLAIM**

The ornamental design for a flashlight, as shown and described.

DESCRIPTION

FIG. 1 is a front view of the flashlight of my new design; FIG. 2 is a rear view thereof; FIG. 3 is a left view thereof; FIG. 4 is a right view thereof; FIG. 5 is a top view thereof; FIG. 6 is a bottom view thereof; FIG. 7 is a front perspective view thereof; FIG. 8 is a rear perspective view thereof; and, FIG. 9 is a bottom perspective view thereof. Throughout the drawings the broken lines depict portions of the flashlight that forms no part of the claimed design.

1 Claim, 9 Drawing Sheets



(56)

References Cited

OTHER PUBLICATIONS

amazon.co.uk: Klarus XT2CR Rechargeable Waterproof Flashlight. Date uplodged Aug. 2, 2017 [site visited Sep. 11, 2020]. Retrieved from internet, <<https://www.amazon.co.uk/Klarus-XT2CR-Rechargeable-Waterproof-Flashlight> . . . > (Year: 2017).*

amazon.co.uk: Everbeam E2 LED Tactical Torch. Date posted Dec. 28, 2019 [site visited Sep. 11, 2020]. Retrieved from internet, <<https://www.amazon.co.uk/Everbeam-E2-Flashlight-Rechargeable-Adjustable/dp/B06Y2RM547/ref=> . . . > (Year: 2019).*

amazon.co.uk: Klarus XT2CR Rechargeable Waterproof Flashlight. Date posted Aug. 2, 2017 [site visited Sep. 11, 2020]. Retrieved from internet, <<https://www.amazon.co.uk/Klarus-XT2CR-Rechargeable-Waterproof-Flashlight> . . . > (Year: 2017).*

* cited by examiner

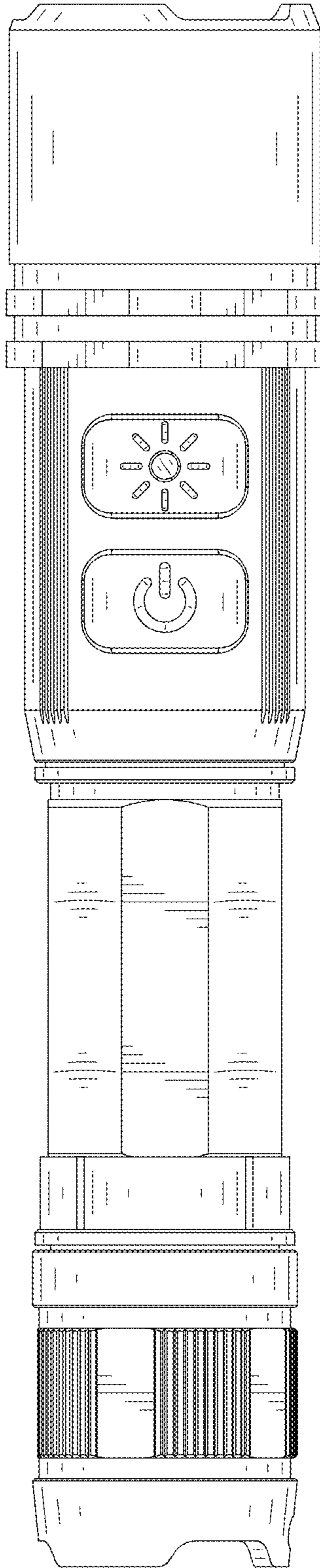


FIG.1

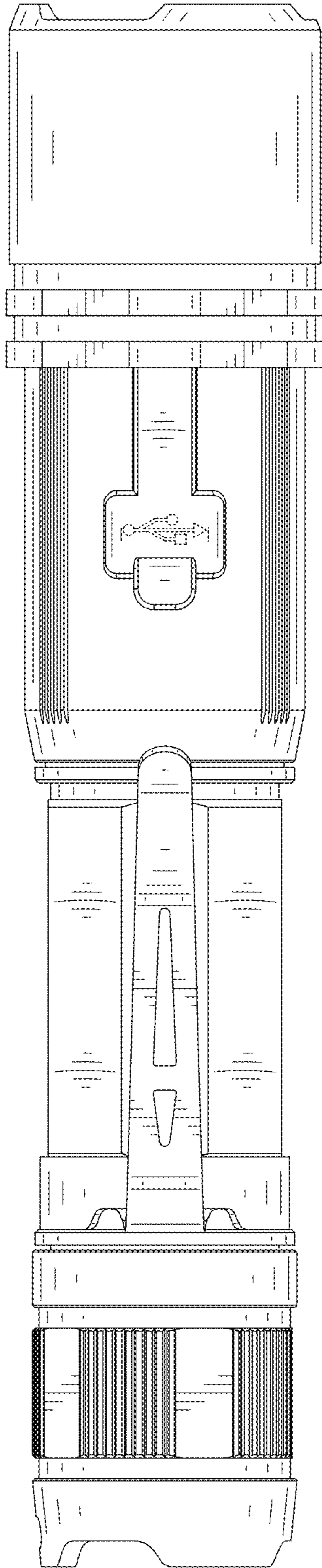


FIG.2

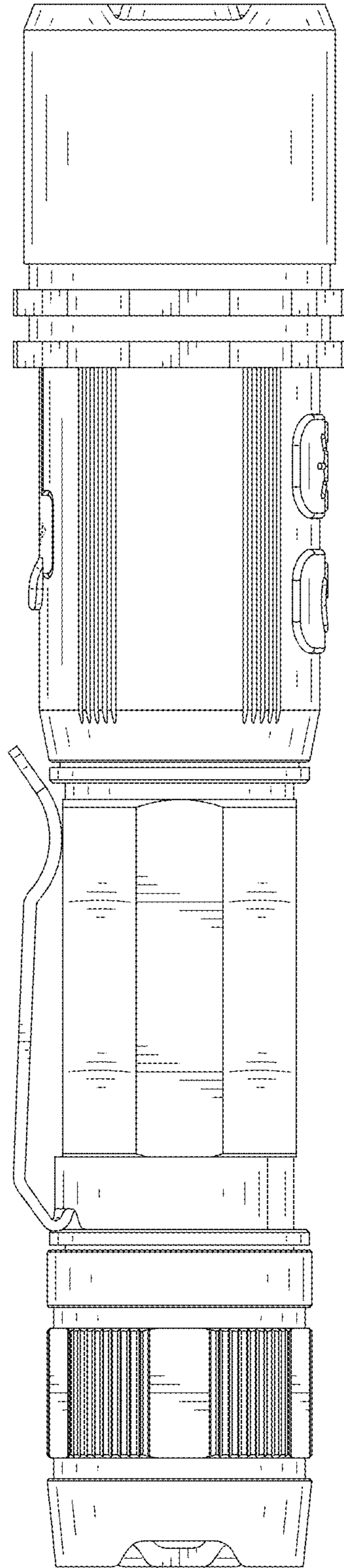


FIG.3

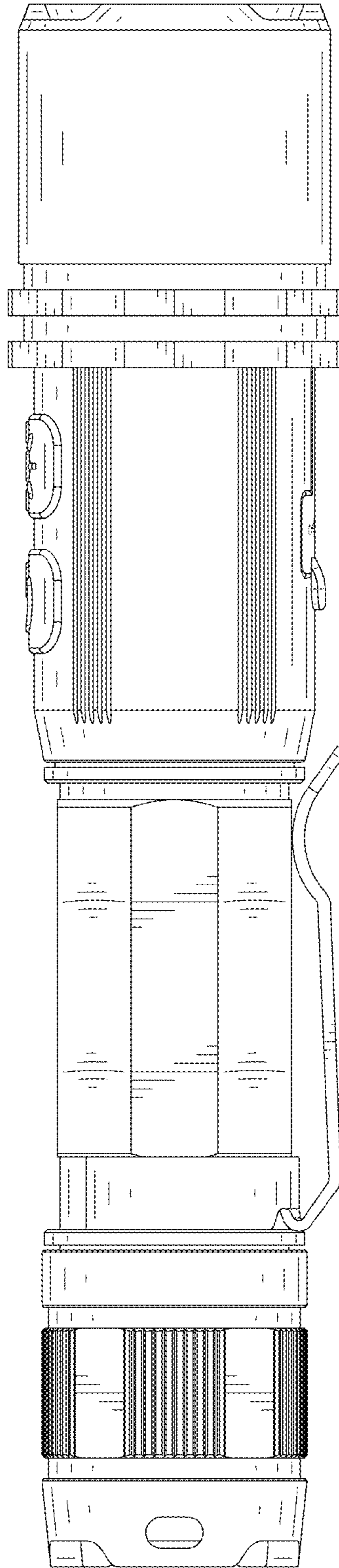


FIG.4

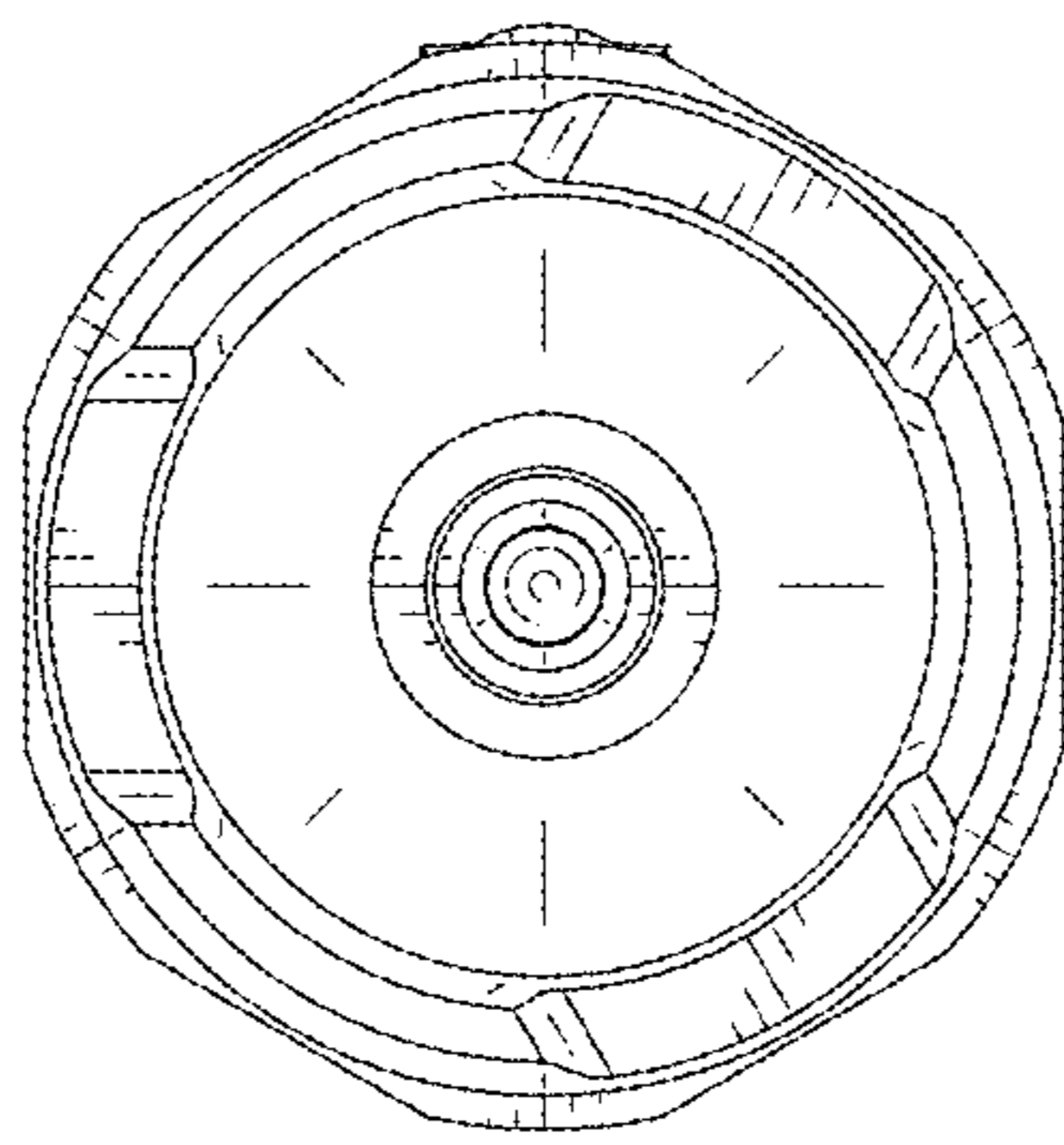


FIG.5

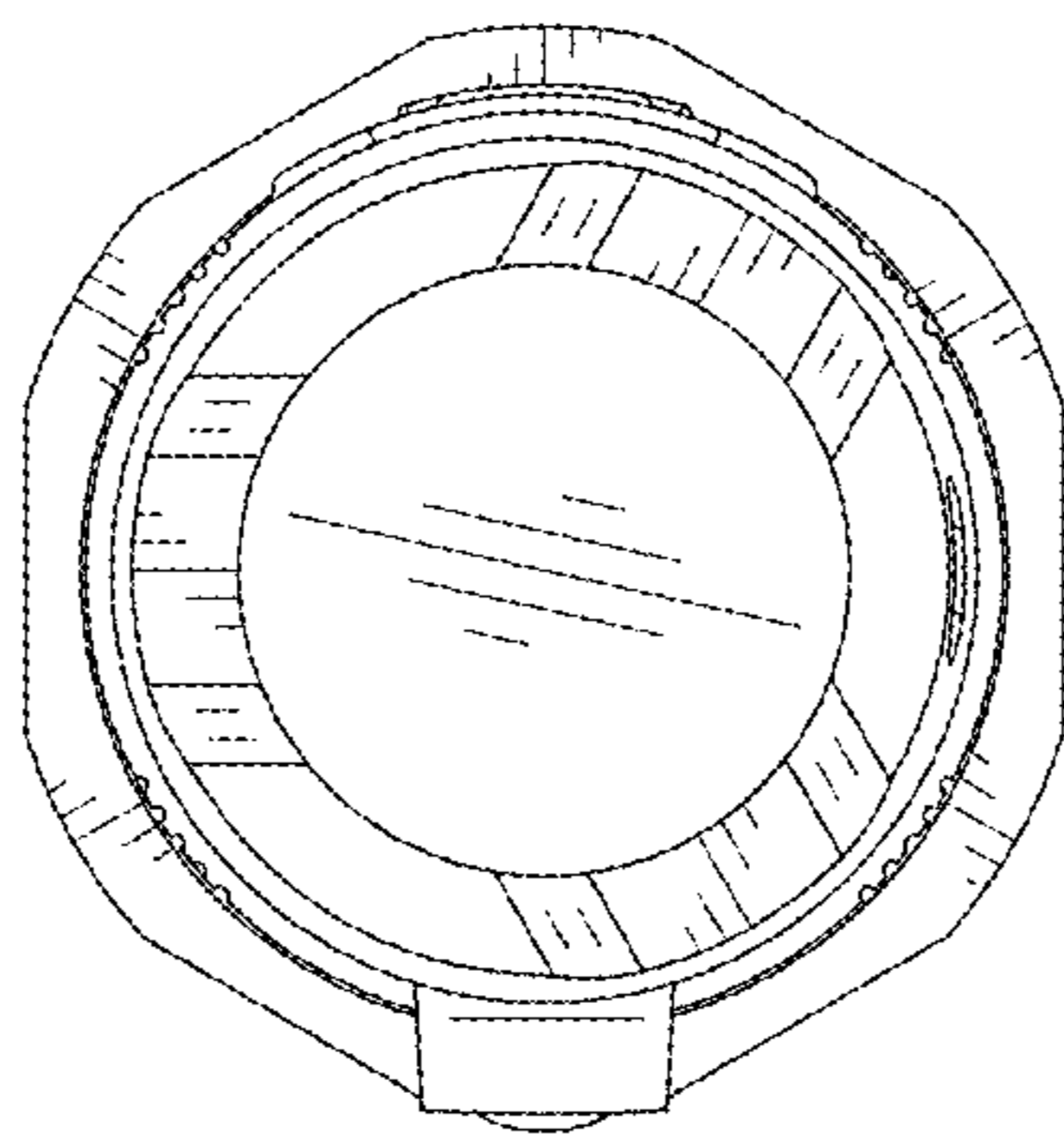


FIG.6

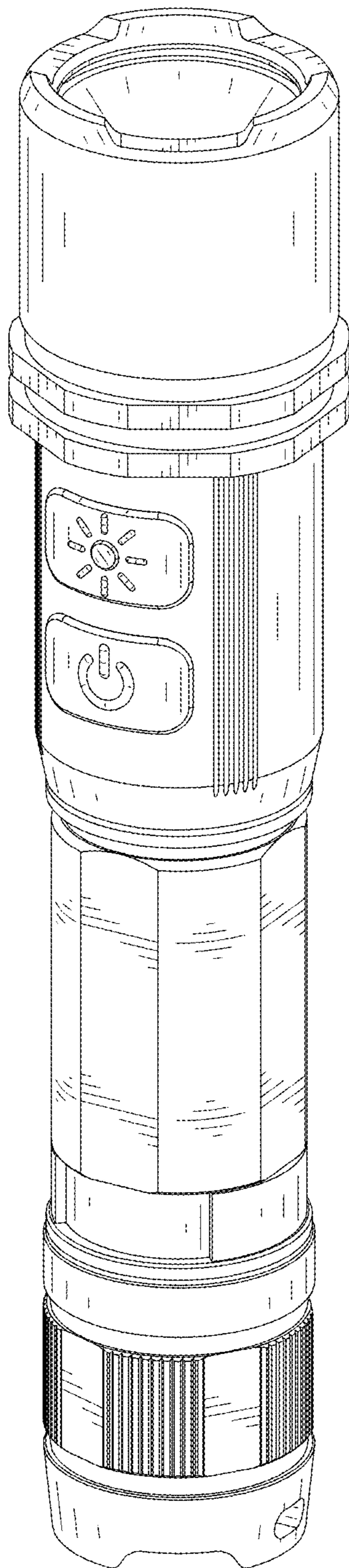


FIG.7

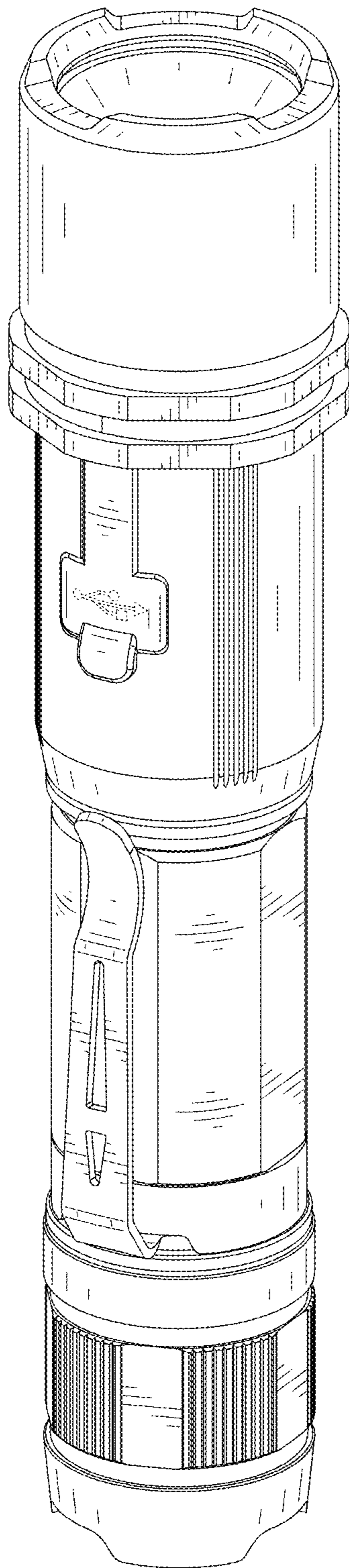


FIG.8

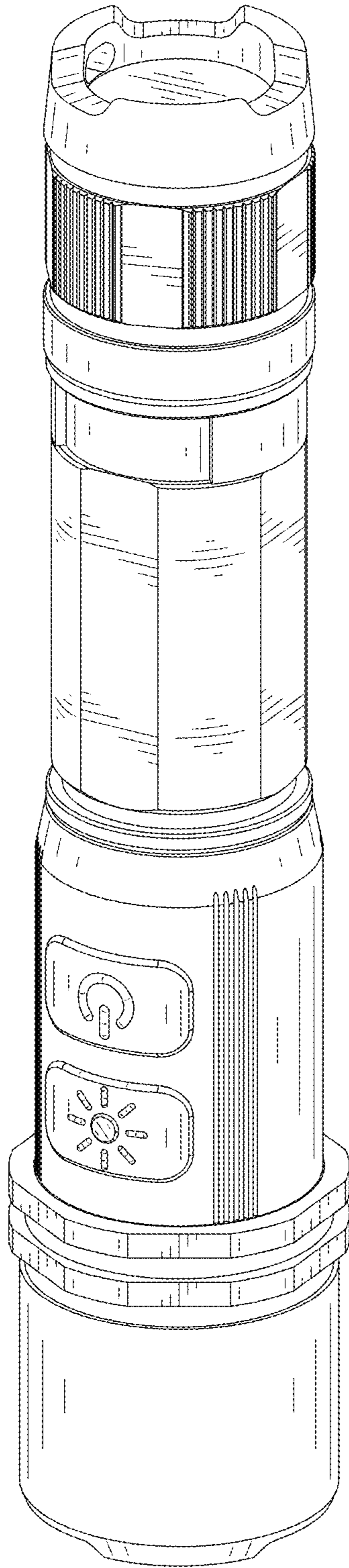


FIG.9