



US00D917085S

(12) **United States Design Patent**  
**Dong**

(10) **Patent No.:** **US D917,085 S**

(45) **Date of Patent:** **\*\* Apr. 20, 2021**

(54) **MOTORCYCLE HEADLIGHT HOUSING**

(71) Applicant: **Dakun Dong**, Hubei (CN)

(72) Inventor: **Dakun Dong**, Hubei (CN)

(73) Assignee: **Guangzhou Shunkun Electronic Technology Co., LTD**

(\*\*) Term: **15 Years**

(21) Appl. No.: **29/700,384**

(22) Filed: **Aug. 1, 2019**

(51) **LOC (13) Cl.** ..... **26-06**

(52) **U.S. Cl.**  
USPC ..... **D26/28**

(58) **Field of Classification Search**  
USPC ..... D26/28-36, 139  
CPC ..... F21S 48/00; F21S 48/10; F21S 48/115;  
F21S 48/225; F21S 48/1233; F21S  
48/1266; F21S 48/1388; F21S 48/2268;  
F21V 21/04; F21V 29/004; B60Q 9/13;  
B60Q 9/135; B60Q 9/1375  
See application file for complete search history.

(56) **References Cited**

**U.S. PATENT DOCUMENTS**

D747,516 S \* 1/2016 Yang ..... D26/28  
D775,381 S \* 12/2016 Jacq ..... D26/28

D780,350 S \* 2/2017 Dennis ..... D26/28  
D787,717 S \* 5/2017 Jacq ..... D26/28  
D788,334 S \* 5/2017 Jacq ..... D26/28  
D794,844 S \* 8/2017 Leban ..... D26/28  
D799,078 S \* 10/2017 Liu ..... D26/28  
D799,080 S \* 10/2017 Dennis ..... D26/28  
D799,099 S \* 10/2017 Gismondi ..... D26/89  
D800,361 S \* 10/2017 Robertson ..... D26/28

\* cited by examiner

*Primary Examiner* — Marcus A Jackson

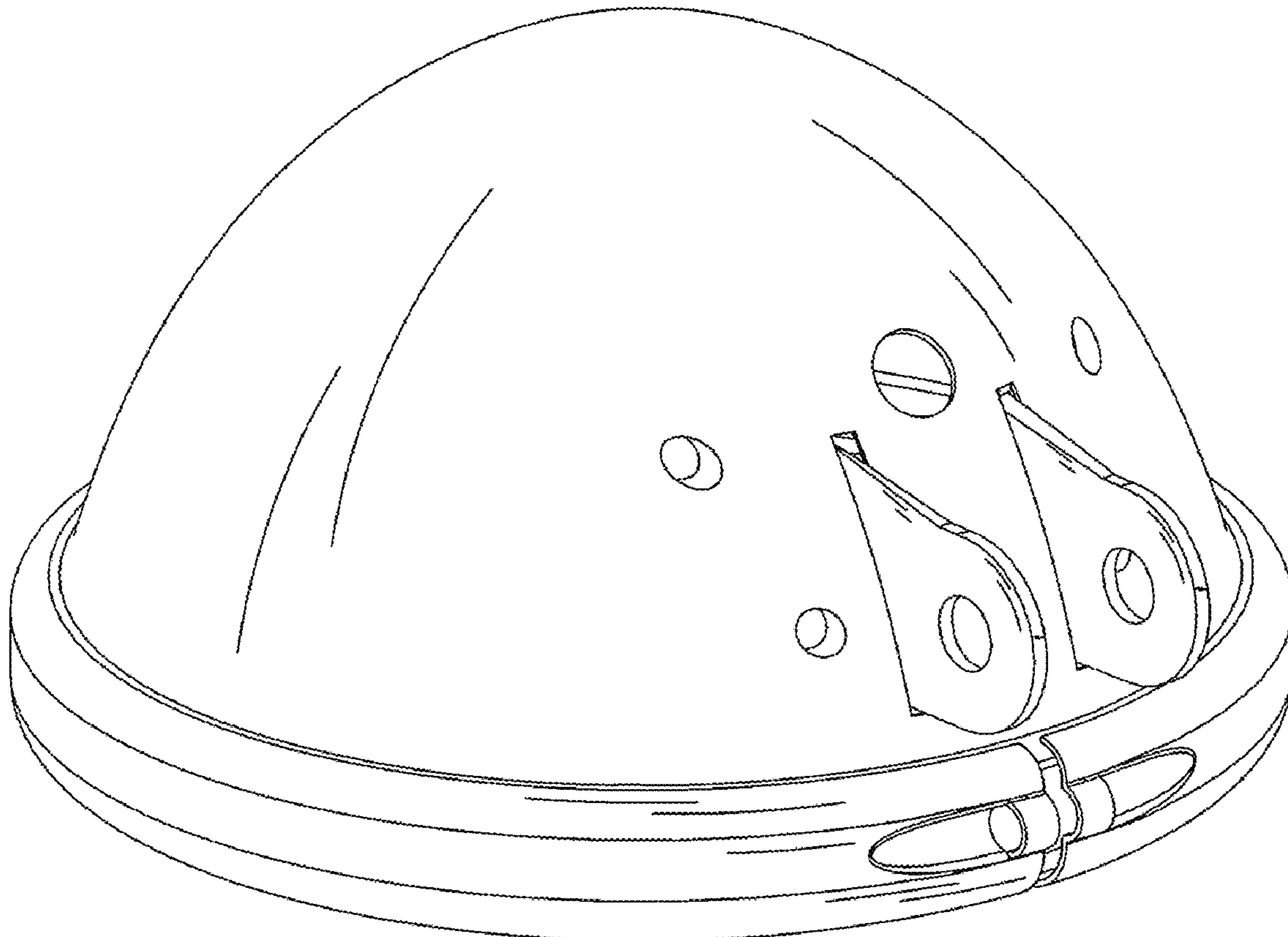
(57) **CLAIM**

The ornamental design for a motorcycle headlight housing, as shown and described.

**DESCRIPTION**

FIG. 1 is a perspective view of a motorcycle headlight housing showing the claimed design; FIG. 2 is a top plan view thereof; FIG. 3 is a rear elevational view thereof; FIG. 4 is a bottom plan view thereof; FIG. 5 is a right side view thereof; FIG. 6 is a front elevational view thereof; and, FIG. 7 is a left side view thereof.

**1 Claim, 7 Drawing Sheets**



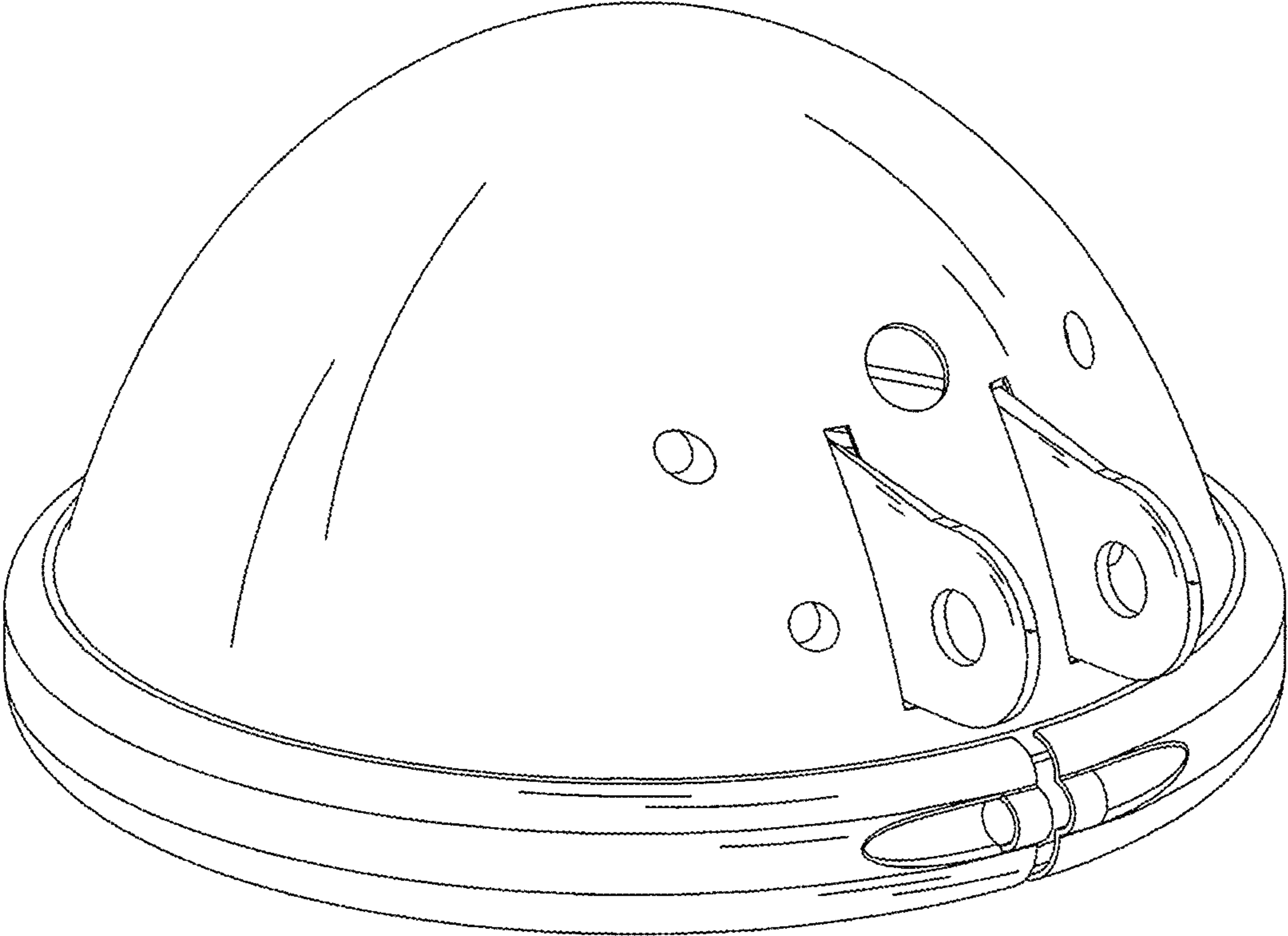


FIG.1

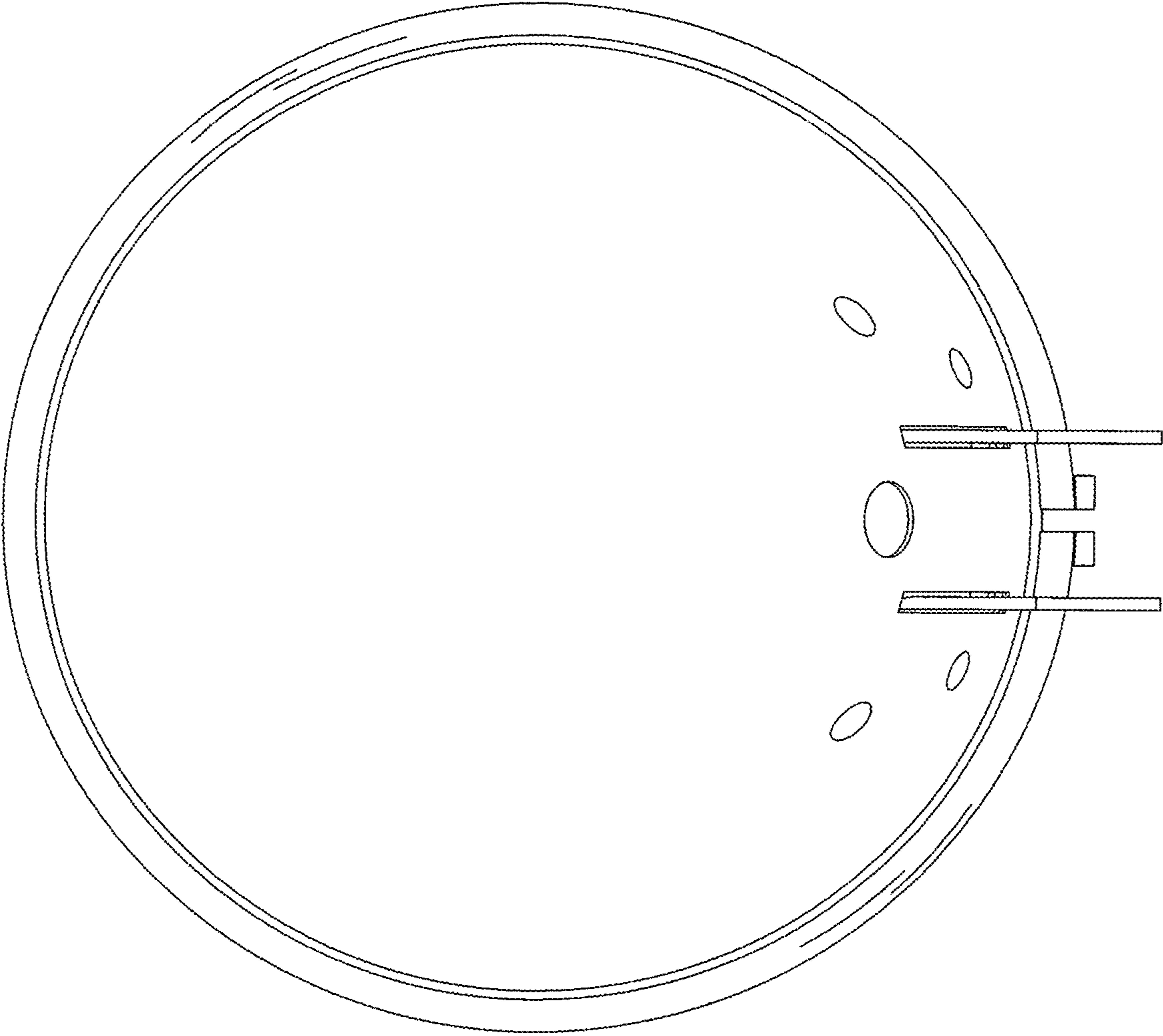


FIG.2

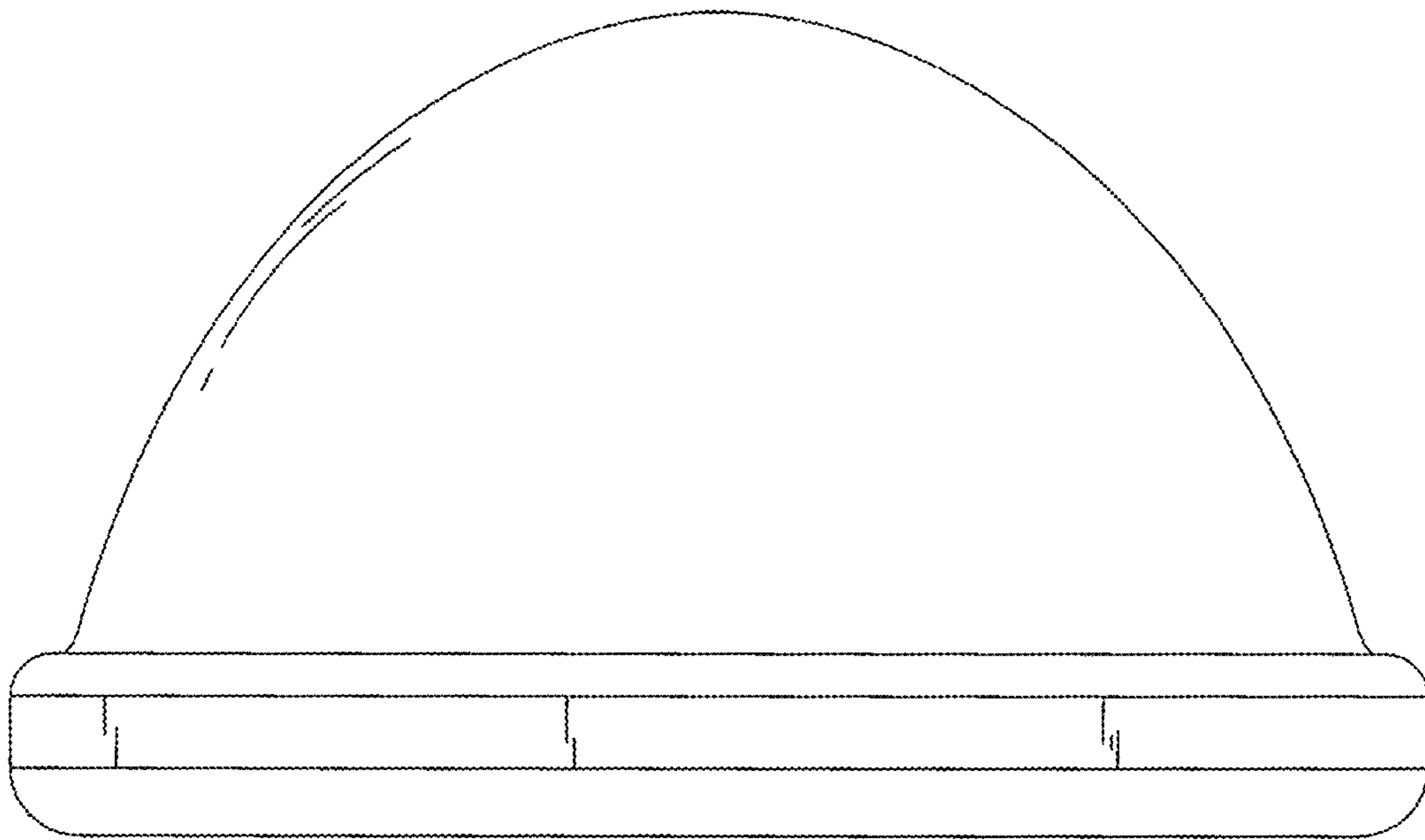


FIG. 3

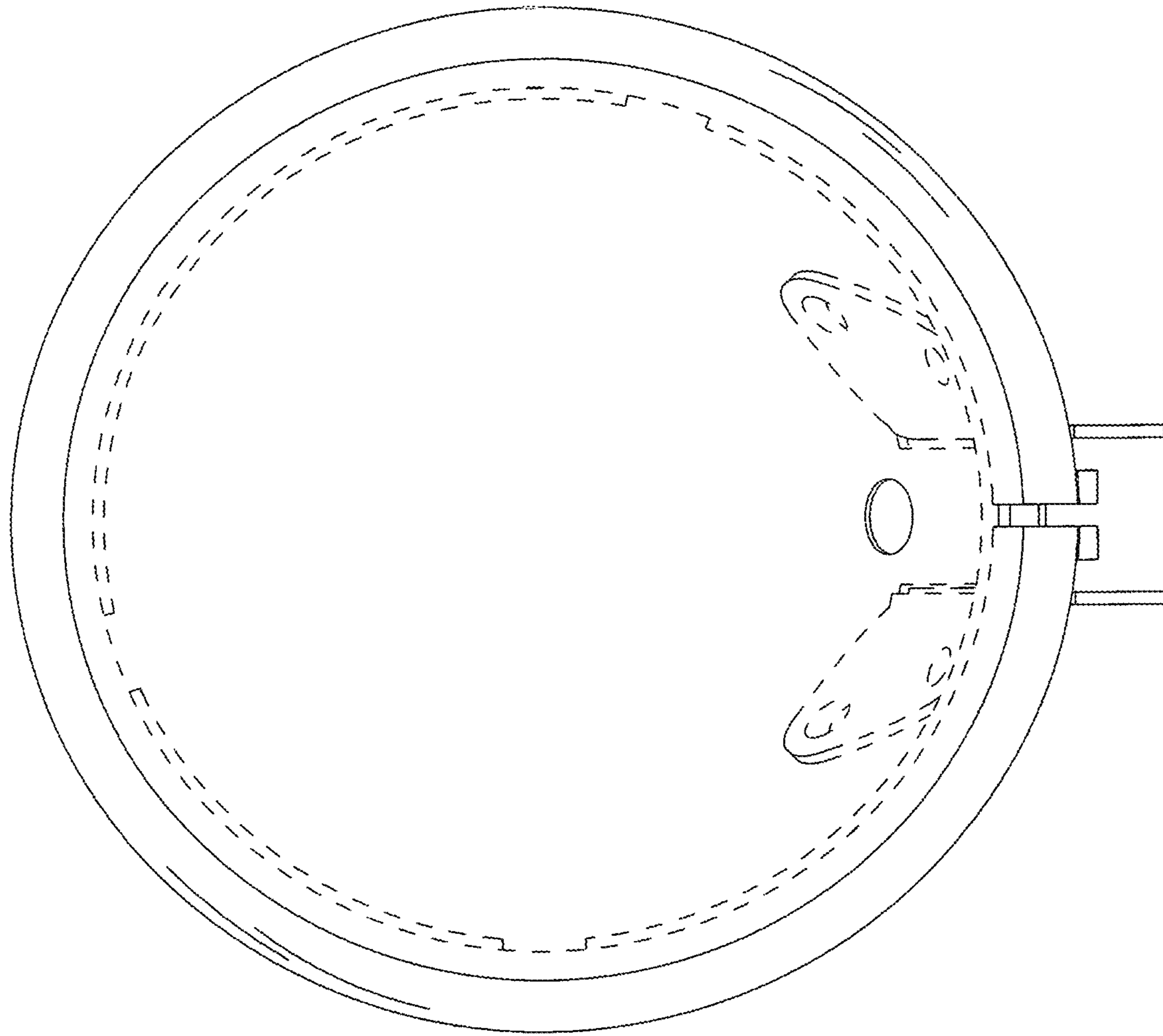


FIG.4

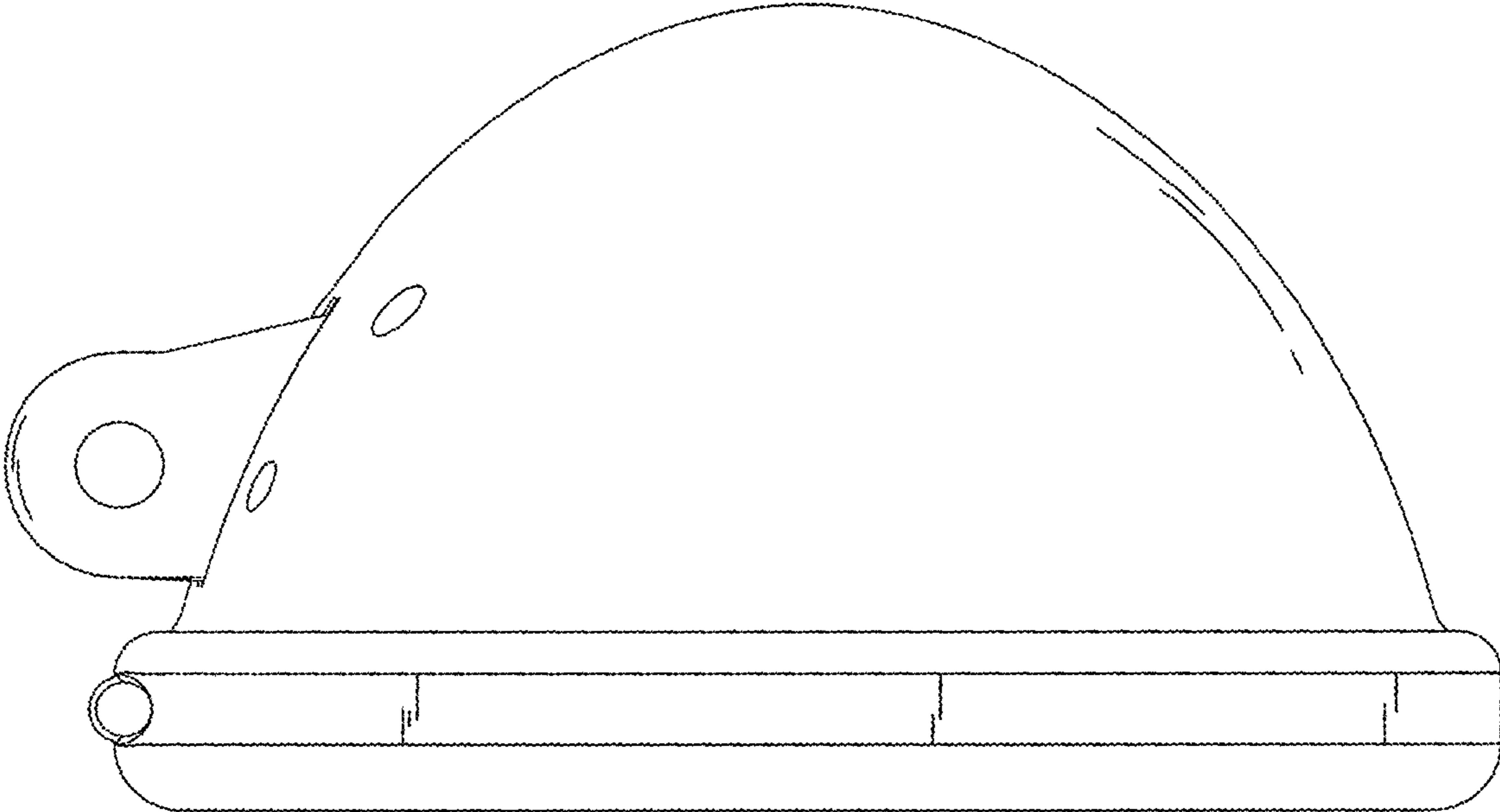


FIG.5

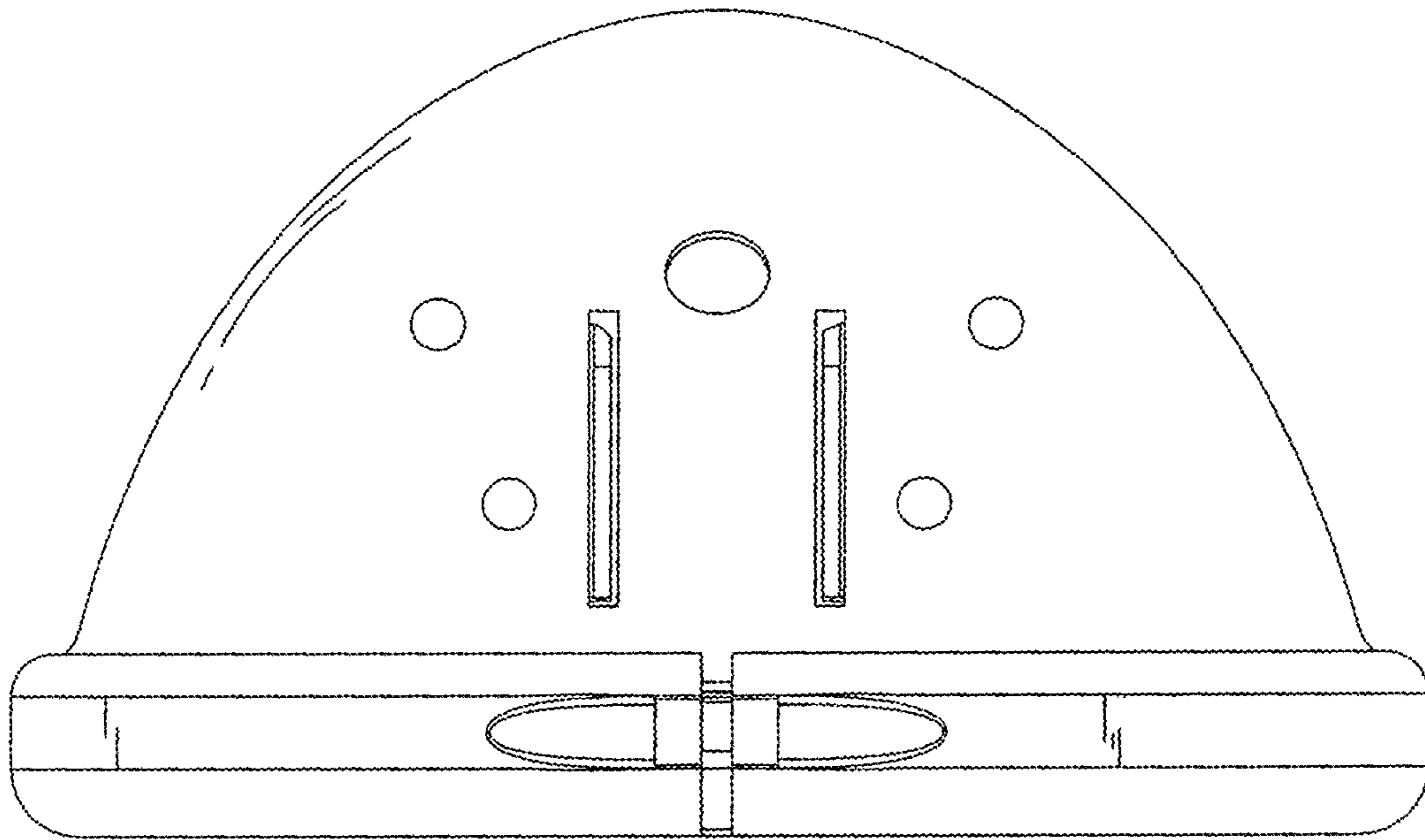


FIG.6

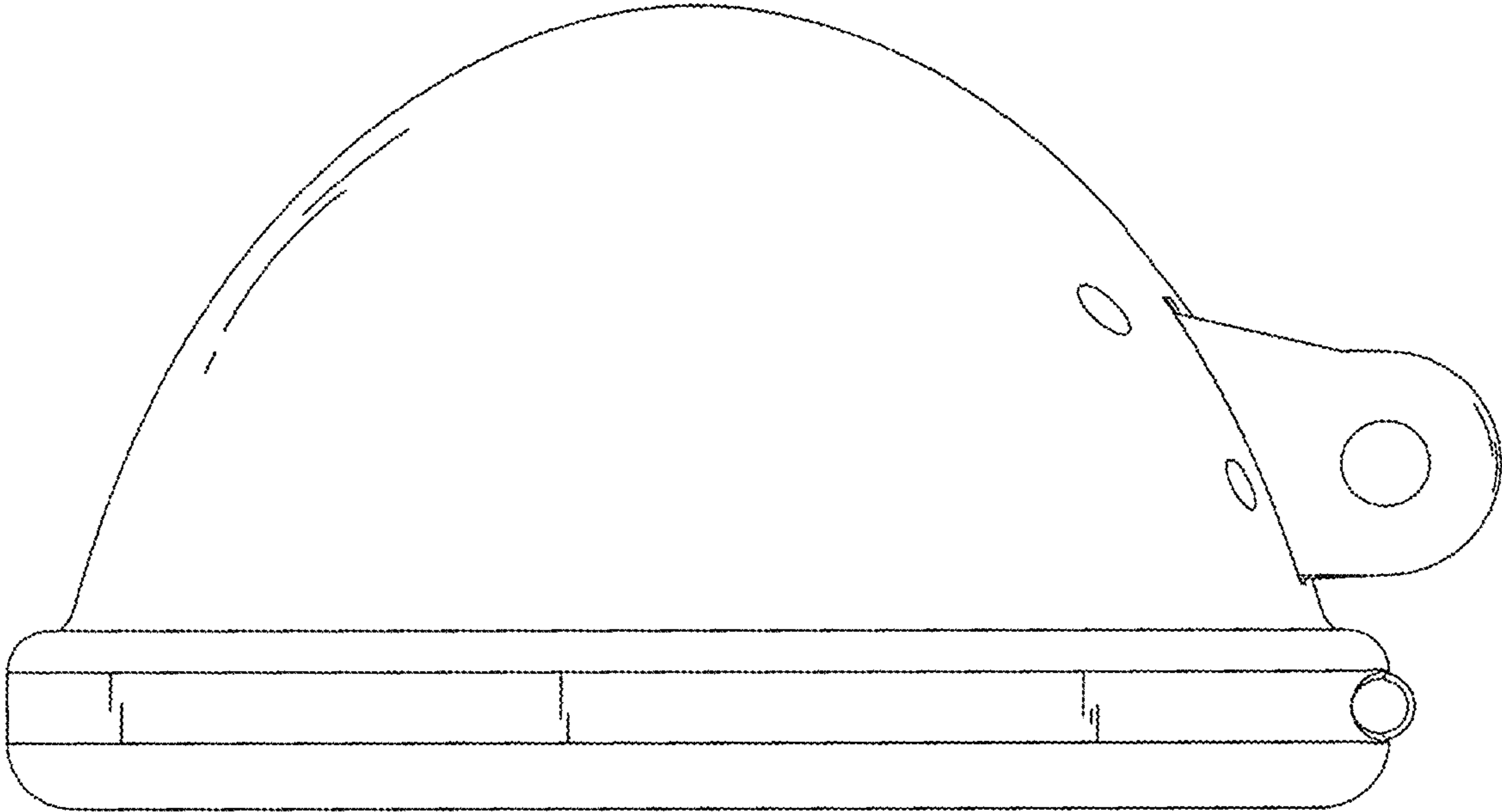


FIG.7