



US00D917084S

(12) **United States Design Patent**  
**Zhou**

(10) **Patent No.:** **US D917,084 S**  
(45) **Date of Patent:** **\*\* Apr. 20, 2021**

- (54) **LED LIGHT** 6,598,995 B2 \* 7/2003 Huang ..... F21V 19/0005  
362/249.01
- (71) Applicant: **LINHAI FUNIAO LIGHTING CO., LTD.**, Taizhou (CN) 7,063,452 B2 \* 6/2006 Kuo ..... F21V 19/0005  
362/249.06
- (72) Inventor: **Zhenbin Zhou**, Taizhou (CN) D600,159 S \* 9/2009 Tsai ..... D11/117  
D873,472 S \* 1/2020 Chen ..... D26/94  
D889,696 S \* 7/2020 Cao ..... D26/25  
D899,965 S \* 10/2020 Zhou ..... D11/125
- (73) Assignee: **LINHAI FUNIAO LIGHTING CO., LTD.**, Taizhou (CN) 2002/0080609 A1 \* 6/2002 Ahroni ..... F21S 4/20  
362/249.14
- (\*\*) Term: **15 Years** 2004/0257799 A1 \* 12/2004 Yao ..... F21S 4/10  
362/123
- (21) Appl. No.: **29/762,775** 2011/0122625 A1 \* 5/2011 Carone ..... F21S 4/10  
362/249.14
- (22) Filed: **Dec. 18, 2020**

\* cited by examiner

*Primary Examiner* — Brian N. Vinson

**Related U.S. Application Data**

- (62) Division of application No. 29/745,126, filed on Aug. 4, 2020, now Pat. No. Des. 910,889.
- (51) **LOC (13) Cl.** ..... **26-03**
- (52) **U.S. Cl.**  
USPC ..... **D26/25**
- (58) **Field of Classification Search**  
USPC ..... D26/2, 25; D11/117, 119, 124, 122, 125  
CPC .... F21S 4/00; F21S 4/001; F21S 4/002; F21S 4/003; F21S 4/005; F21S 4/10; F21W 2121/00; F21W 2121/004; F21W 2121/04; F21V 10/0005  
See application file for complete search history.

(57) **CLAIM**

The ornamental design for an LED light, as shown and described.

**DESCRIPTION**

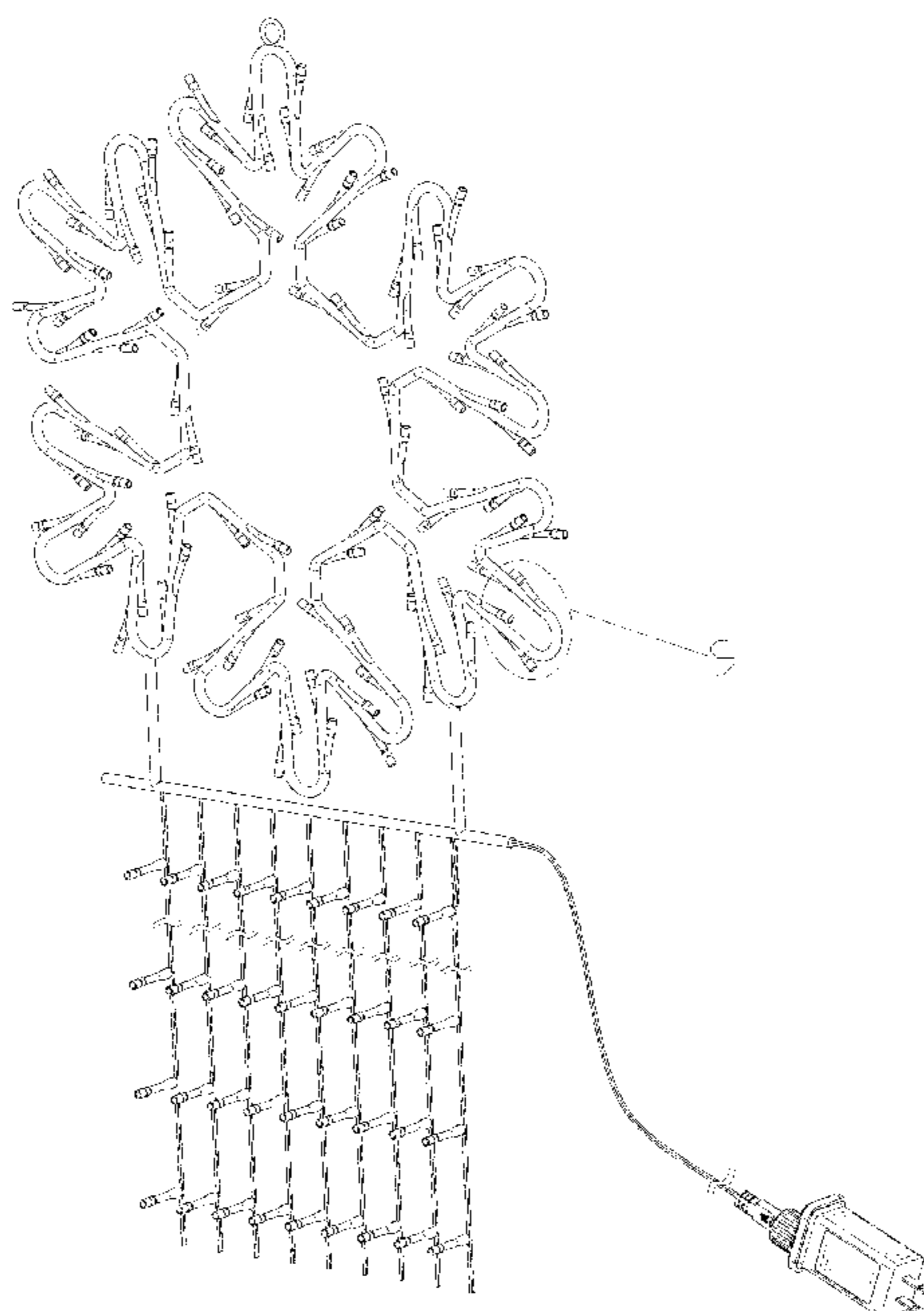
FIG. 1 is a perspective view of an LED light showing my new design;  
 FIG. 2 is another perspective view thereof;  
 FIG. 3 is a front elevational view thereof;  
 FIG. 4 is a rear elevational view thereof;  
 FIG. 5 is a left side elevational view thereof;  
 FIG. 6 is a right side elevational view thereof;  
 FIG. 7 is a top plan view thereof;  
 FIG. 8 is a bottom plan view thereof; and,  
 FIG. 9 is an enlarged view of portion 9 shown in FIG. 1.  
 The LED light is shown with a symbolic break in its length and the appearance of any portion of the LED light between the break lines form no part of the claimed design. The broken lines in the drawings depict portions of the LED light that form no part of the claimed design.

(56) **References Cited**

**U.S. PATENT DOCUMENTS**

- D275,559 S \* 9/1984 Williams ..... D11/124
- 4,733,488 A \* 3/1988 Yokoyama ..... F21S 4/10  
313/498
- D452,576 S \* 12/2001 Liu ..... D26/25
- D477,425 S \* 7/2003 Gordon ..... D26/25

**1 Claim, 9 Drawing Sheets**



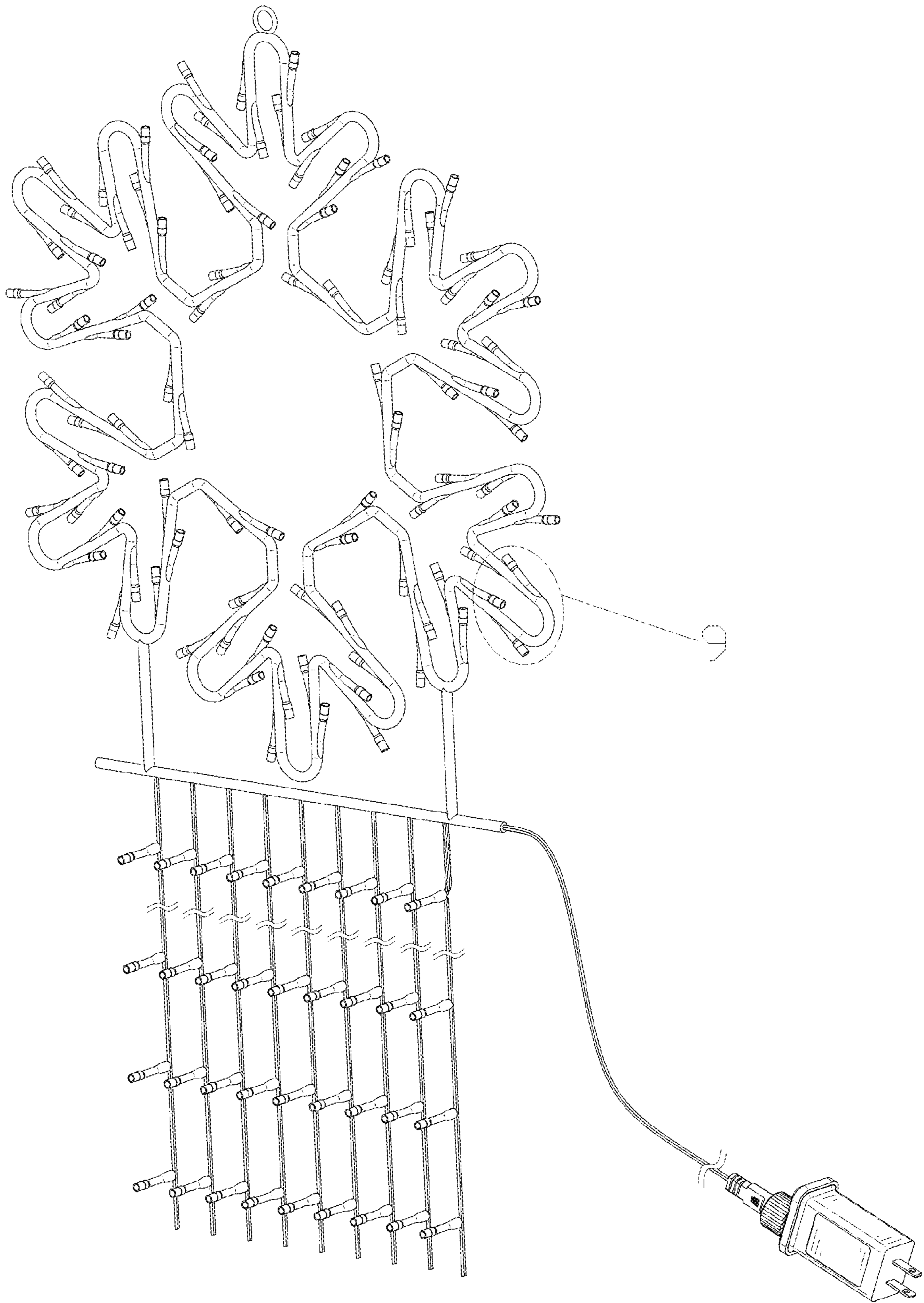


FIG. 1

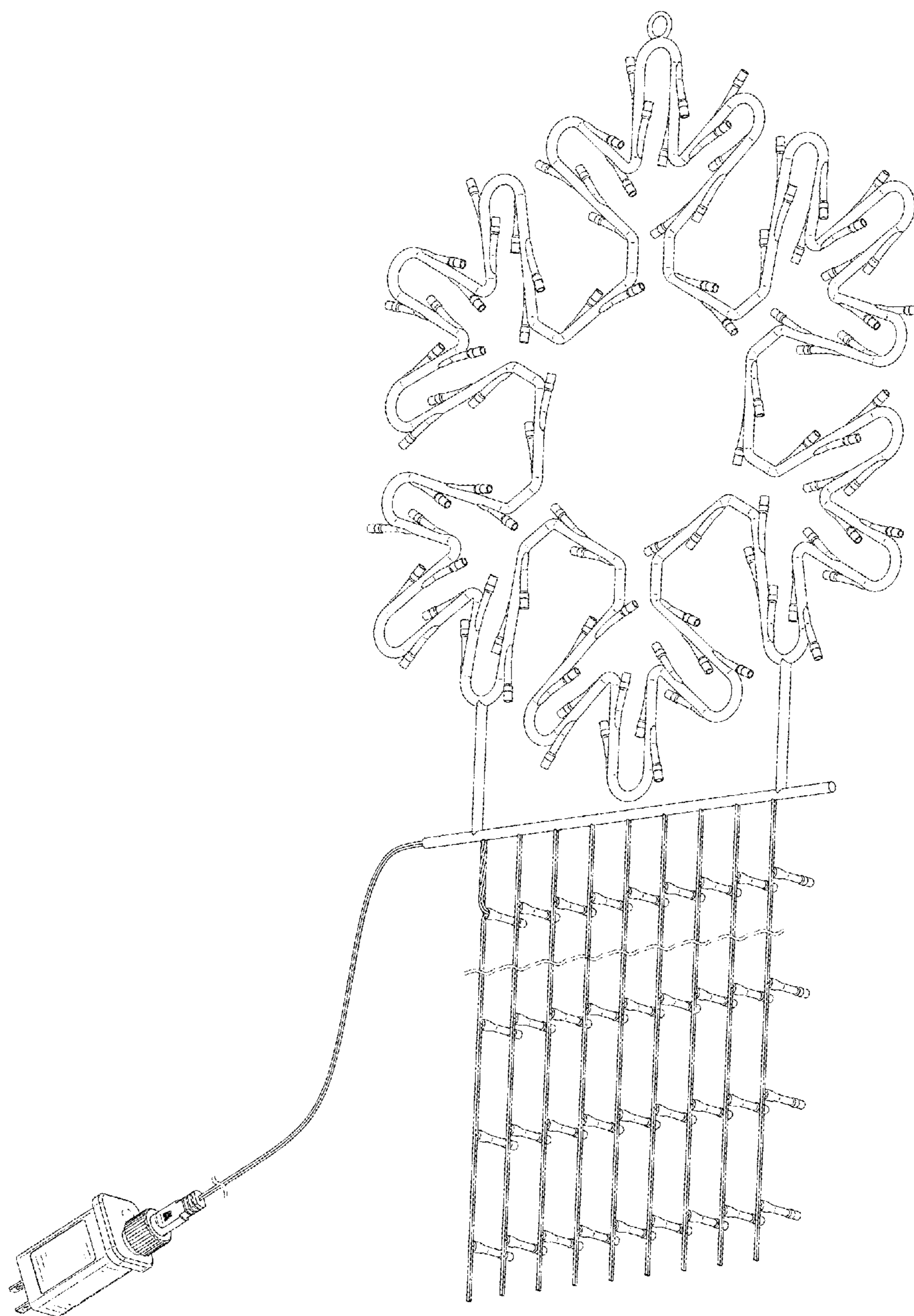


FIG. 2

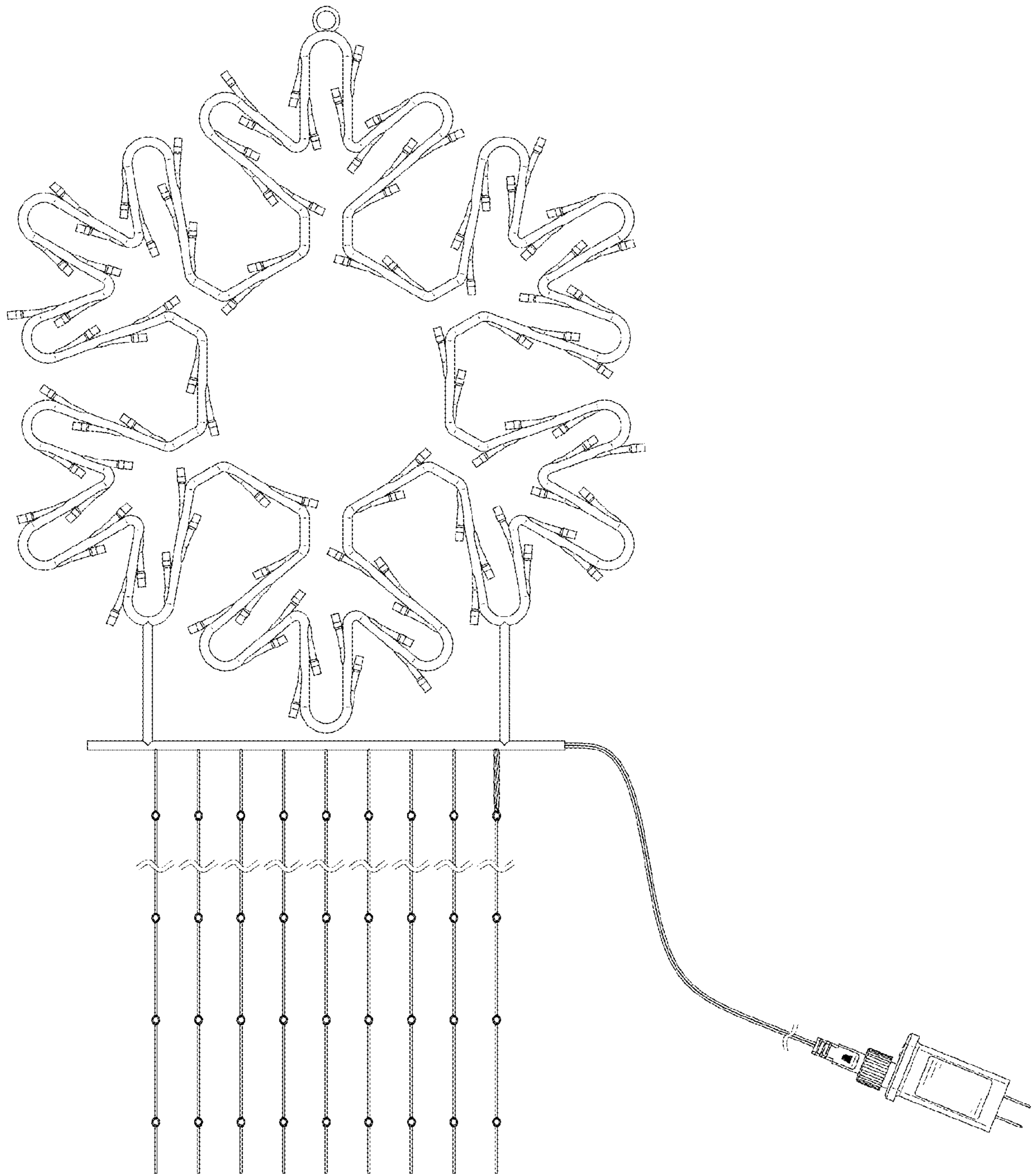


FIG. 3

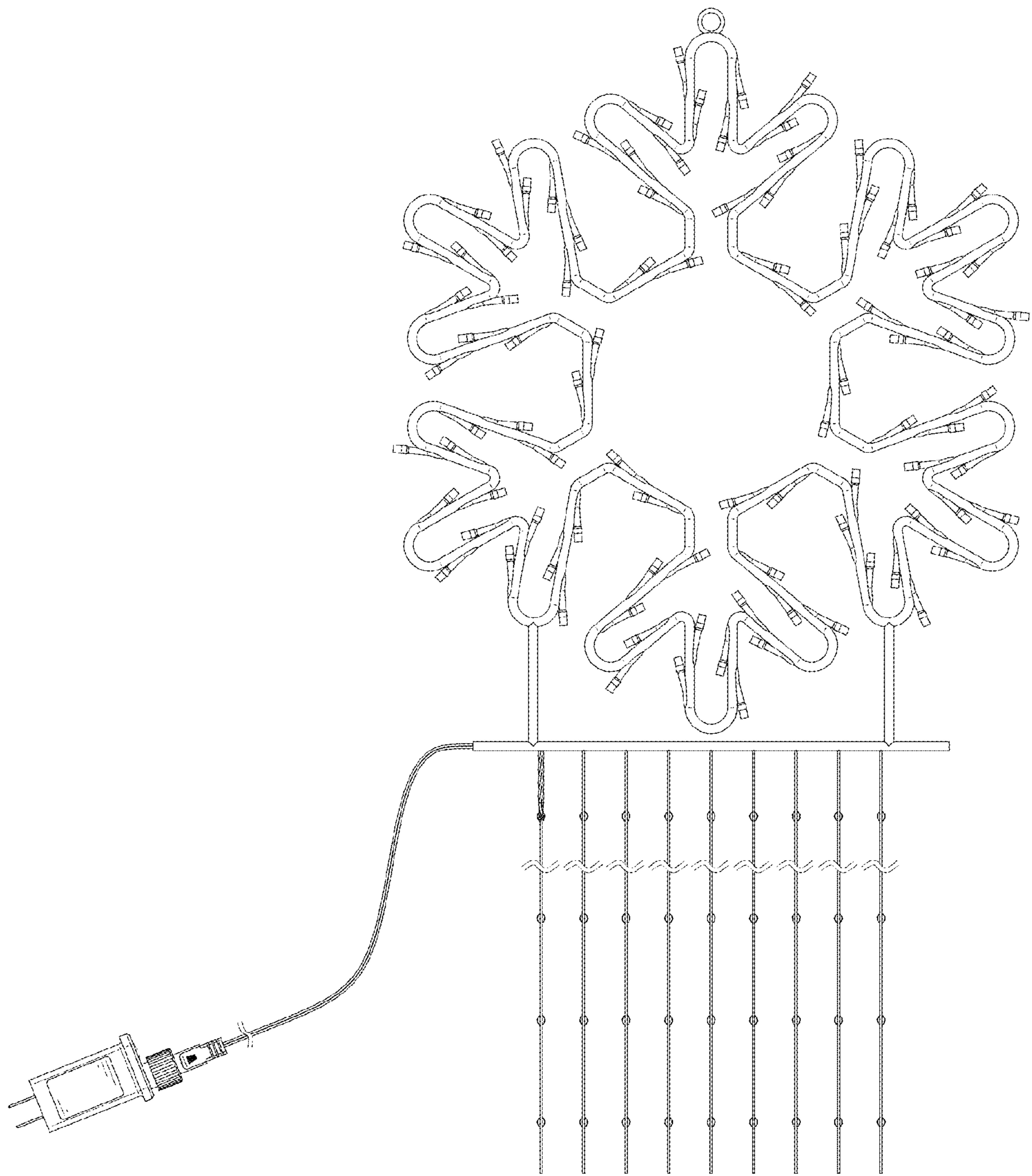


FIG. 4

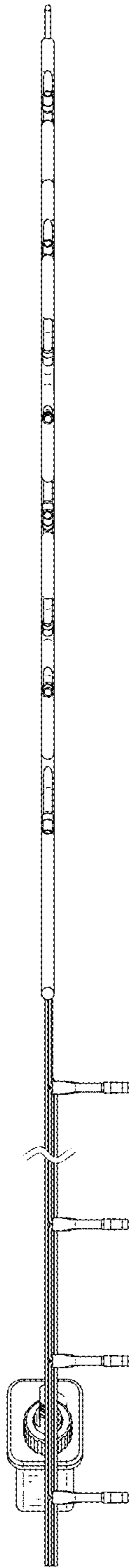


FIG. 5

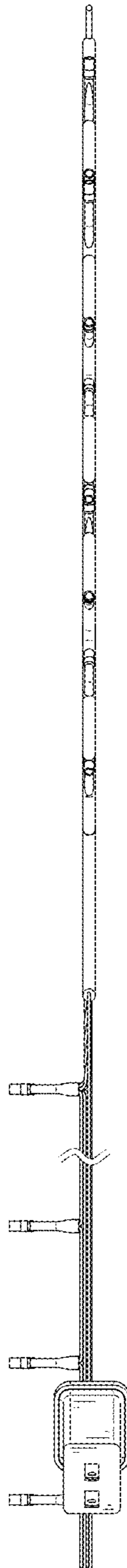


FIG. 6

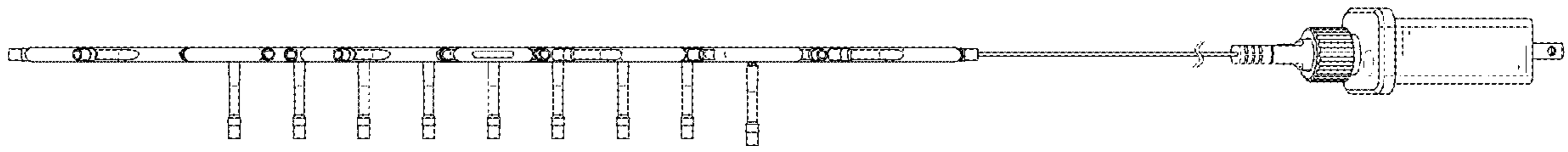


FIG. 7



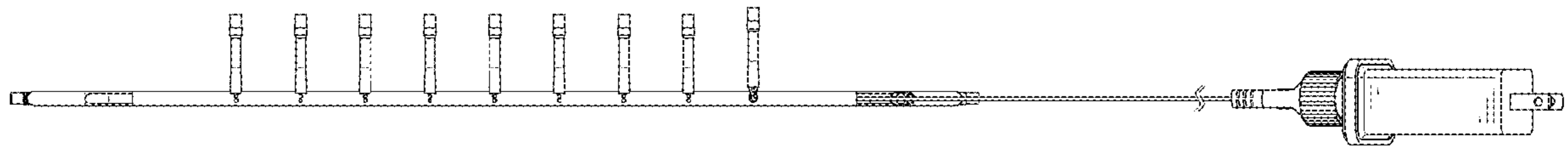


FIG. 8

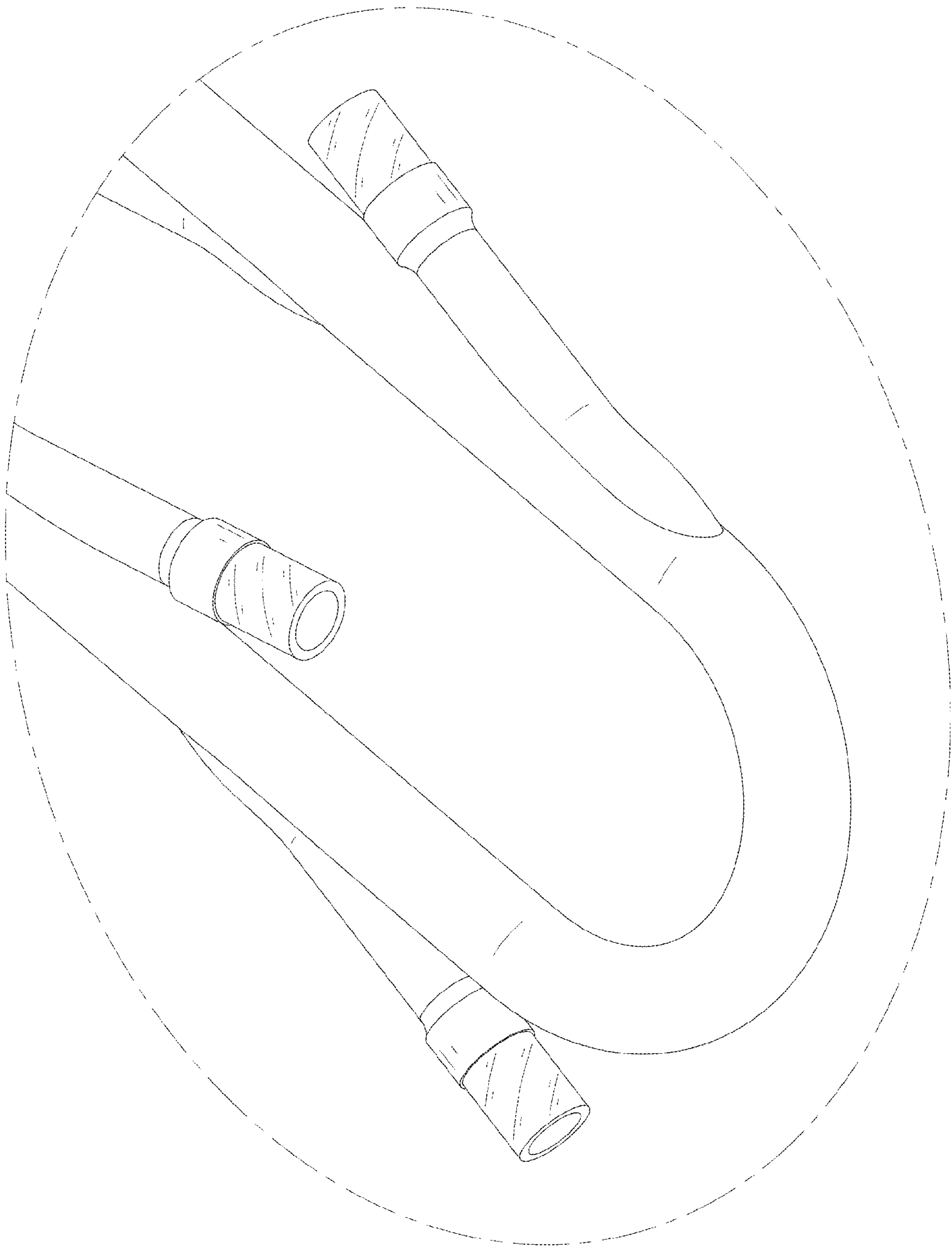


FIG. 9