



US00D917083S

(12) **United States Design Patent**  
**Zhou**

(10) **Patent No.:** **US D917,083 S**  
(45) **Date of Patent:** **\*\* Apr. 20, 2021**

- (54) **LAMP**
- (71) Applicant: **SHENZHEN YULIANG ELECTRONIC LIGHTING CO., LTD.**, Shenzhen (CN)
- (72) Inventor: **Hongxue Zhou**, Taizhou (CN)
- (73) Assignee: **SHENZHEN YULIANG ELECTRONIC LIGHTING CO., LTD.**, Shenzhen (CN)
- (\*\*) Term: **15 Years**
- (21) Appl. No.: **29/758,227**
- (22) Filed: **Nov. 13, 2020**
- (51) **LOC (13) Cl.** ..... **26-03**
- (52) **U.S. Cl.**  
USPC ..... **D26/25**
- (58) **Field of Classification Search**  
USPC ..... D26/2, 25; D11/117, 119, 124, 122, 125  
CPC .... F21S 4/00; F21S 4/001; F21S 4/002; F21S 4/003; F21S 4/005; F21S 4/10; F21W 2121/00; F21W 2121/004; F21W 2121/04; F21V 10/0005  
See application file for complete search history.

6,598,995 B2 *	7/2003	Huang	.....	F21V 19/0005	362/249.01
7,063,452 B2 *	6/2006	Kuo	.....	F21V 19/0005	362/249.06
D546,982 S *	7/2007	Van Dyn Hoven	.....	D26/4	
D816,884 S	5/2018	Rachele			
D873,461 S	1/2020	Chen			
D889,696 S *	7/2020	Cao	.....	D26/25	
2004/0257799 A1 *	12/2004	Yao	.....	F21S 4/10	362/123
2011/0122625 A1 *	5/2011	Carone	.....	F21S 4/10	362/249.14

\* cited by examiner

Primary Examiner — Brian N. Vinson

(57) **CLAIM**

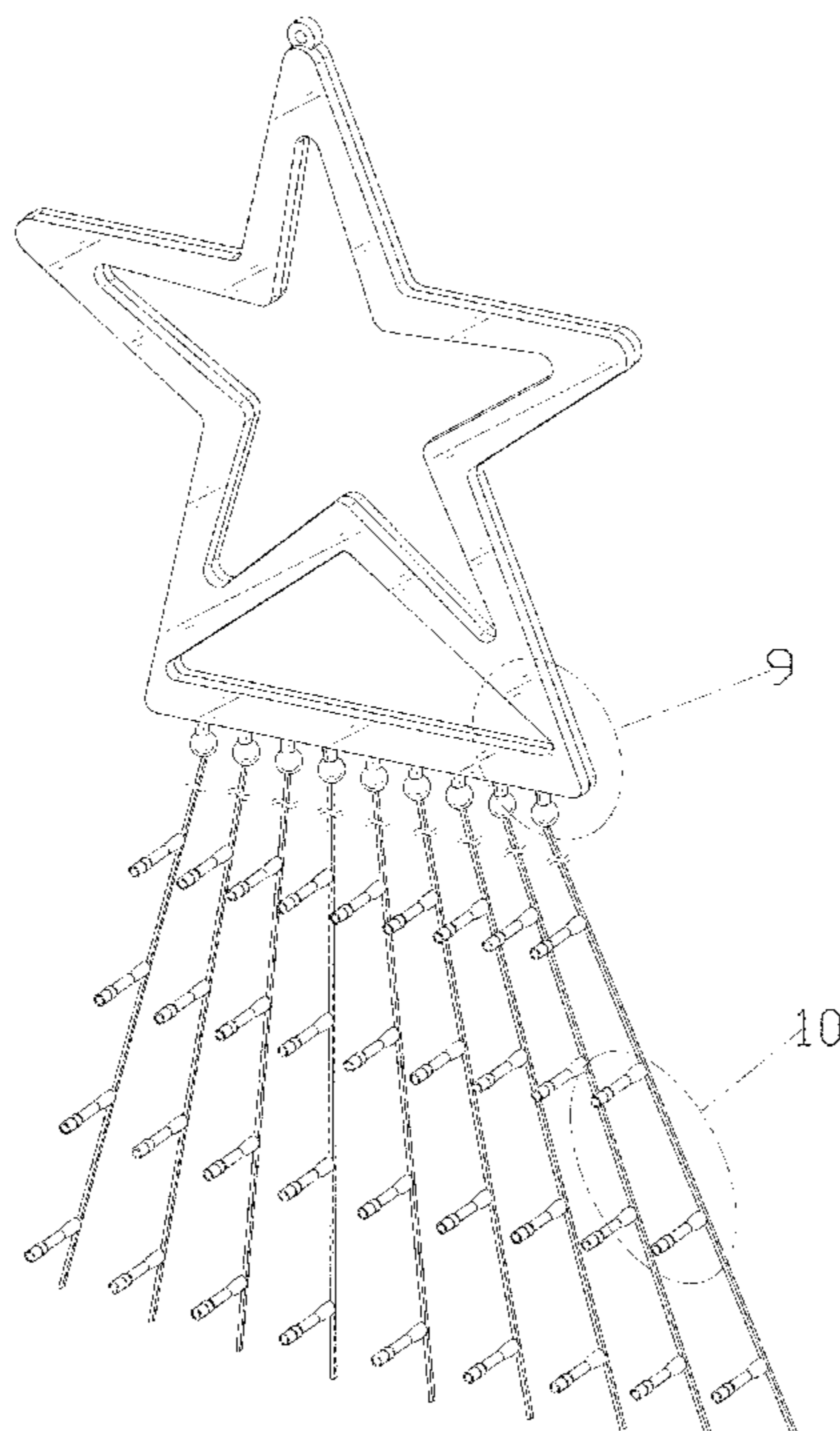
The ornamental design for a lamp, as shown and described.

**DESCRIPTION**

FIG. 1 is a perspective view of a lamp showing my new design;  
 FIG. 2 is another perspective view thereof;  
 FIG. 3 is a front elevational view thereof;  
 FIG. 4 is a rear elevational view thereof;  
 FIG. 5 is a left side elevational view thereof;  
 FIG. 6 is a right side elevational view thereof;  
 FIG. 7 is a top plan view thereof;  
 FIG. 8 is a bottom plan view thereof;  
 FIG. 9 is an enlarged view of portion 9 shown in FIG. 1; and,  
 FIG. 10 is an enlarged view of portion 10 shown in FIG. 1.  
 The lamp is shown with a symbolic break in its length and the appearance of any portion of the lamp between the break lines form no part of the claimed design.

**1 Claim, 10 Drawing Sheets**

- (56) **References Cited**  
U.S. PATENT DOCUMENTS
- 4,733,488 A \* 3/1988 Yokoyama ..... F21S 4/10  
313/498
- D381,287 S \* 7/1997 Fussell ..... D11/119
- D452,576 S \* 12/2001 Liu ..... D26/25
- D459,009 S 6/2002 Chang
- D477,425 S \* 7/2003 Gordon ..... D26/25



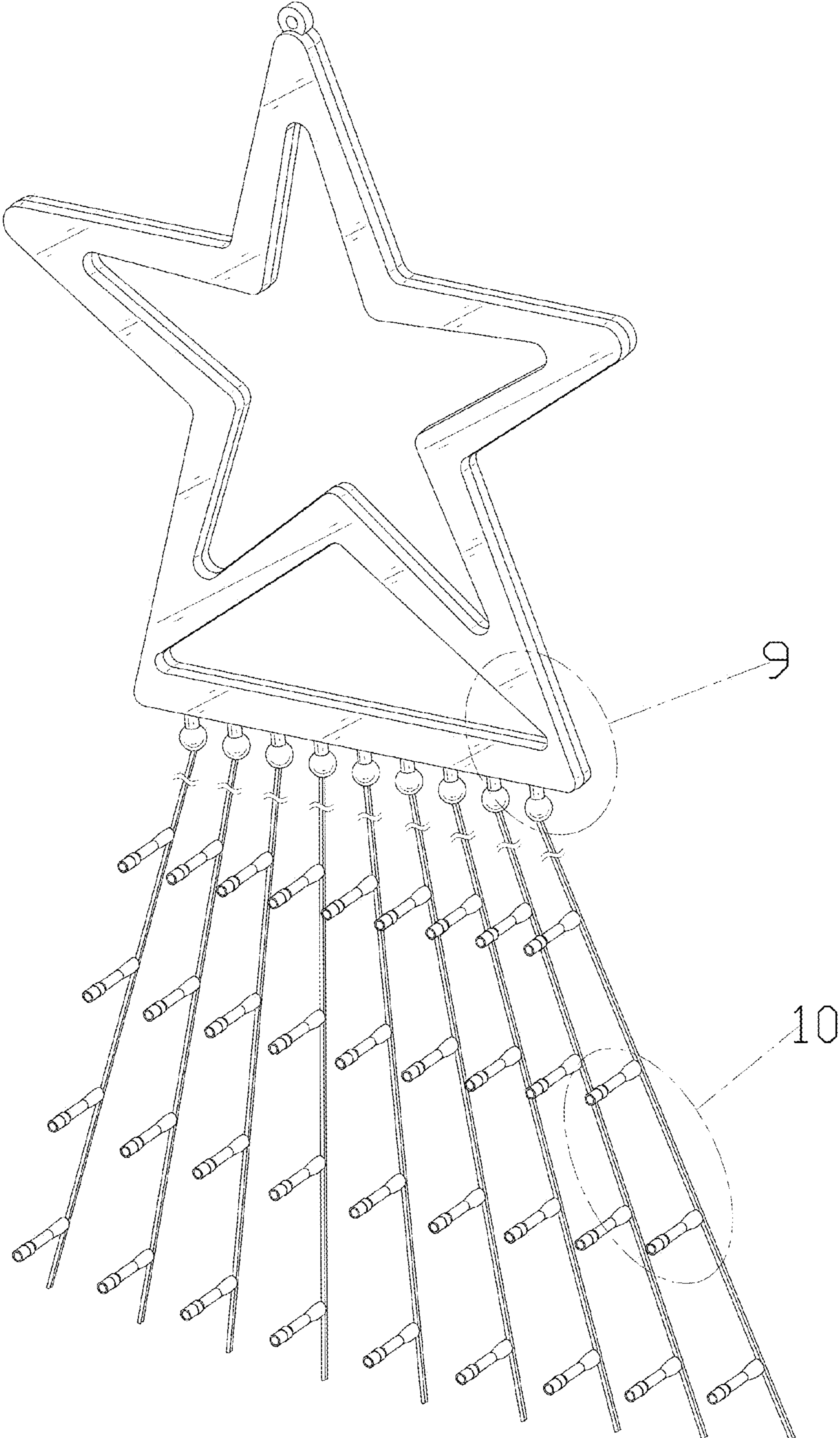


FIG. 1

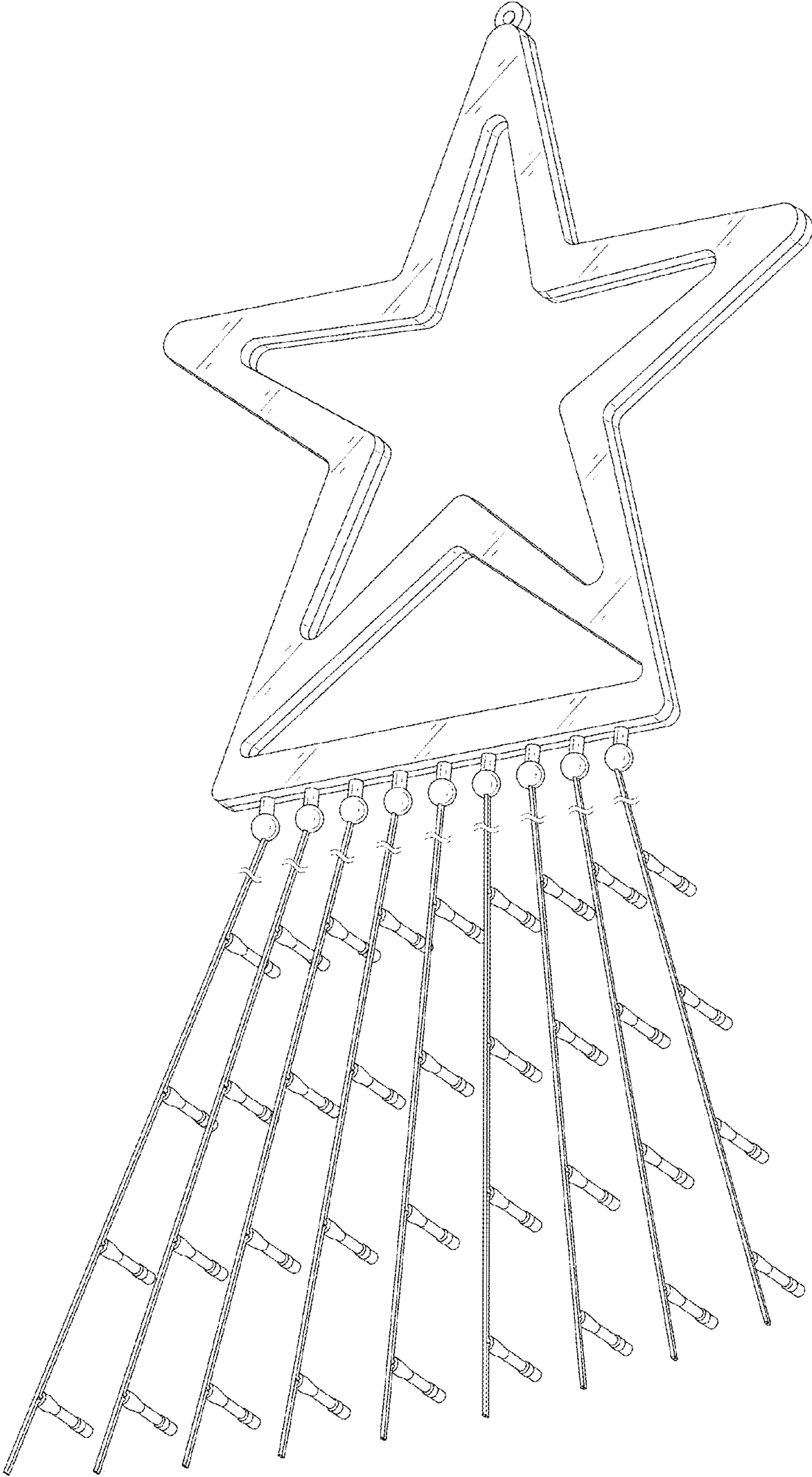


FIG. 2

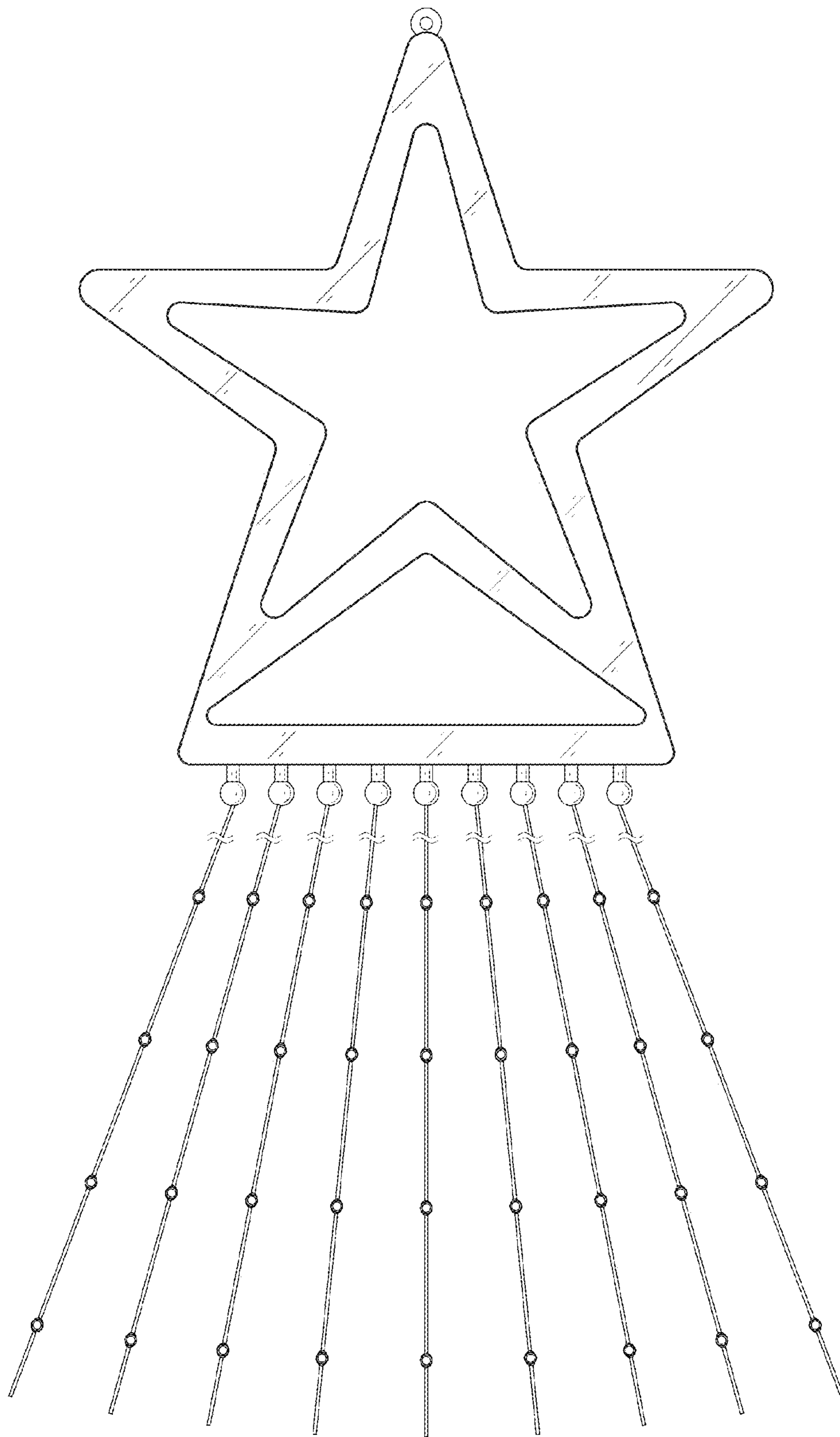


FIG. 3

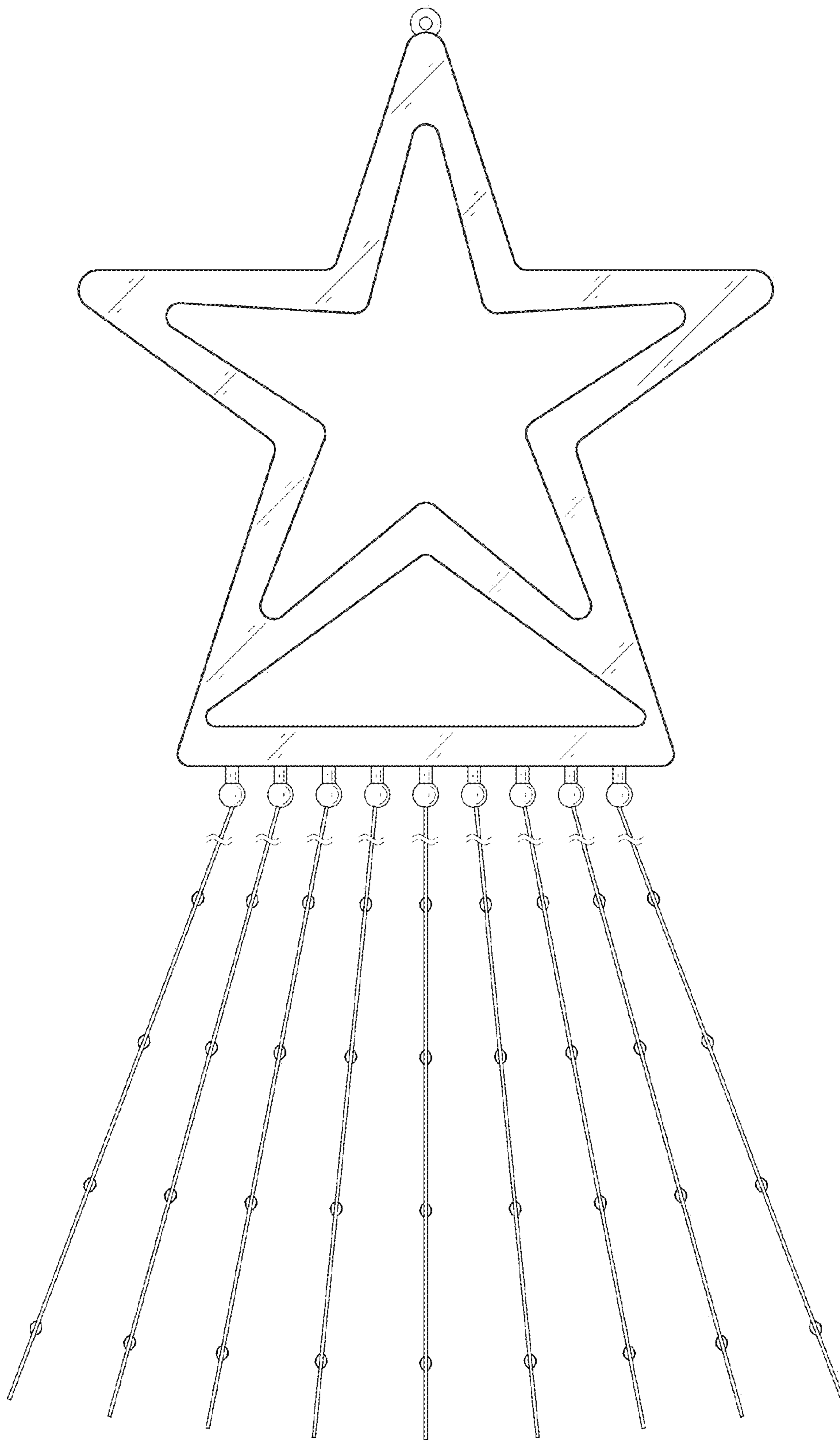


FIG. 4

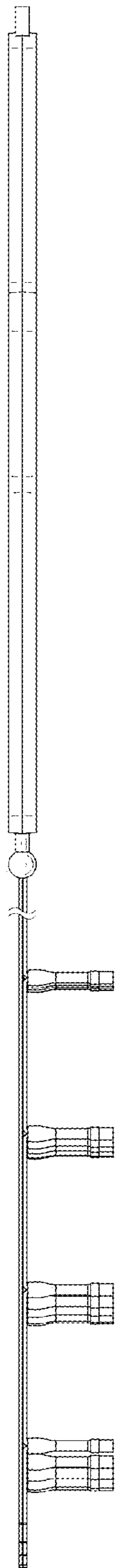


FIG. 5

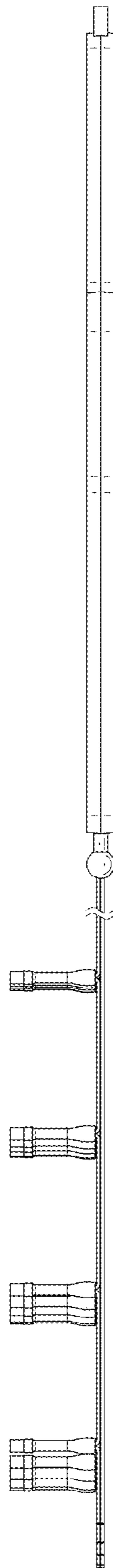


FIG. 6

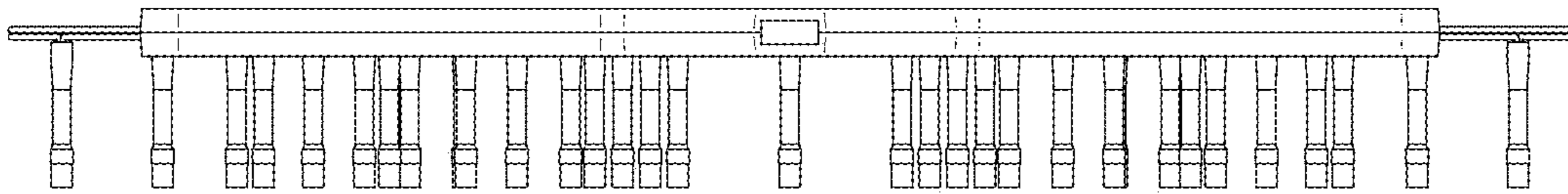


FIG. 7



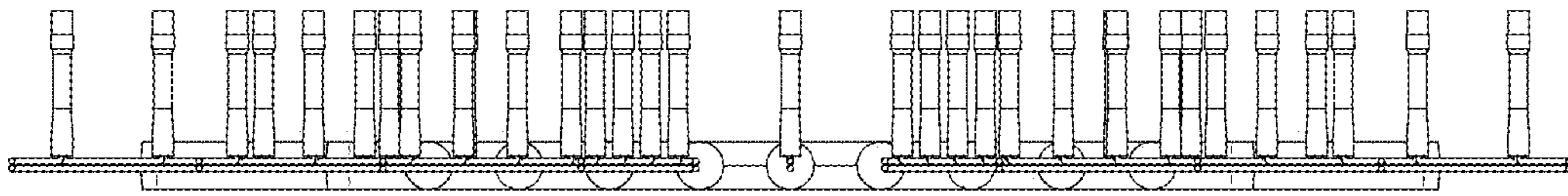


FIG. 8

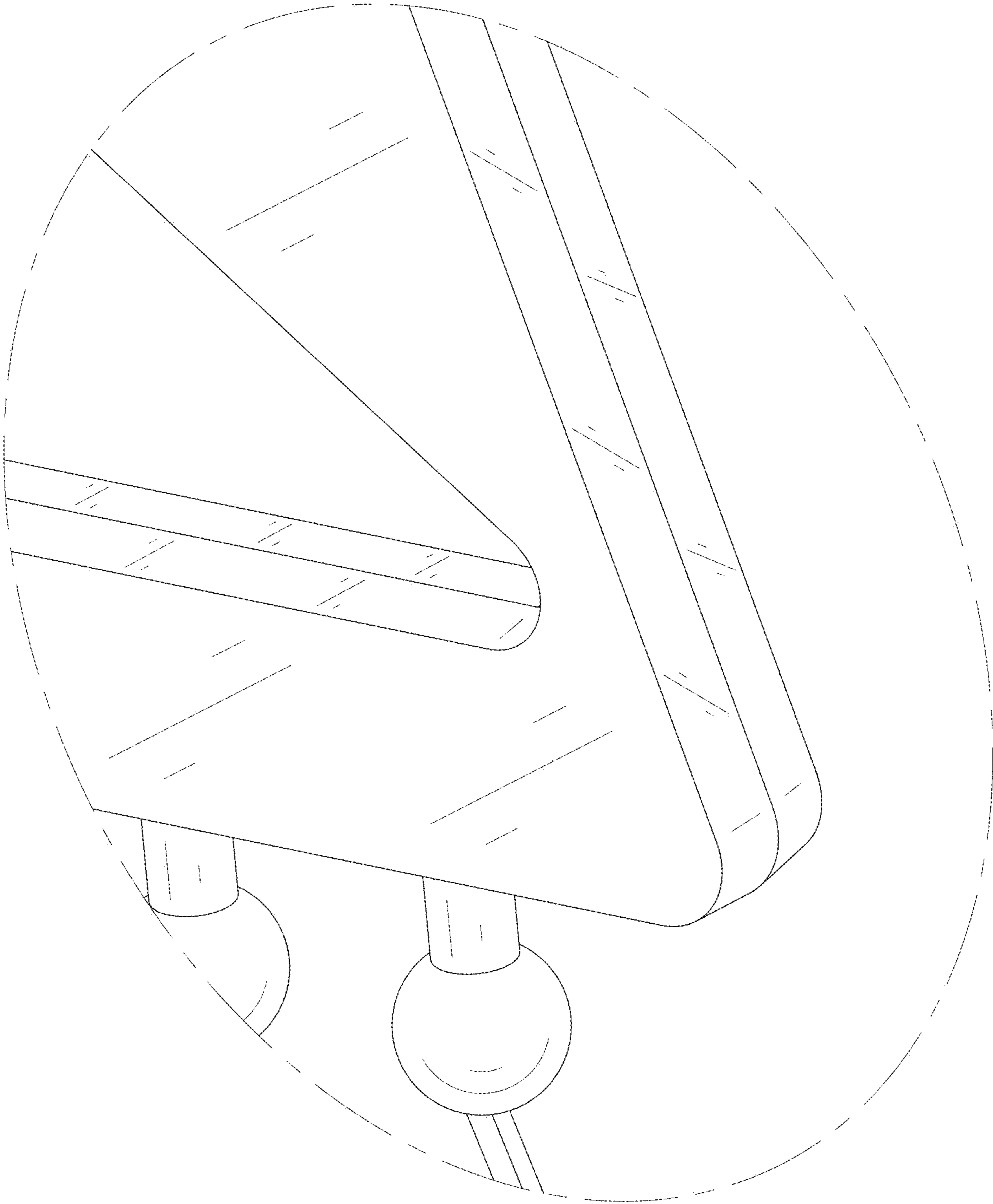


FIG. 9

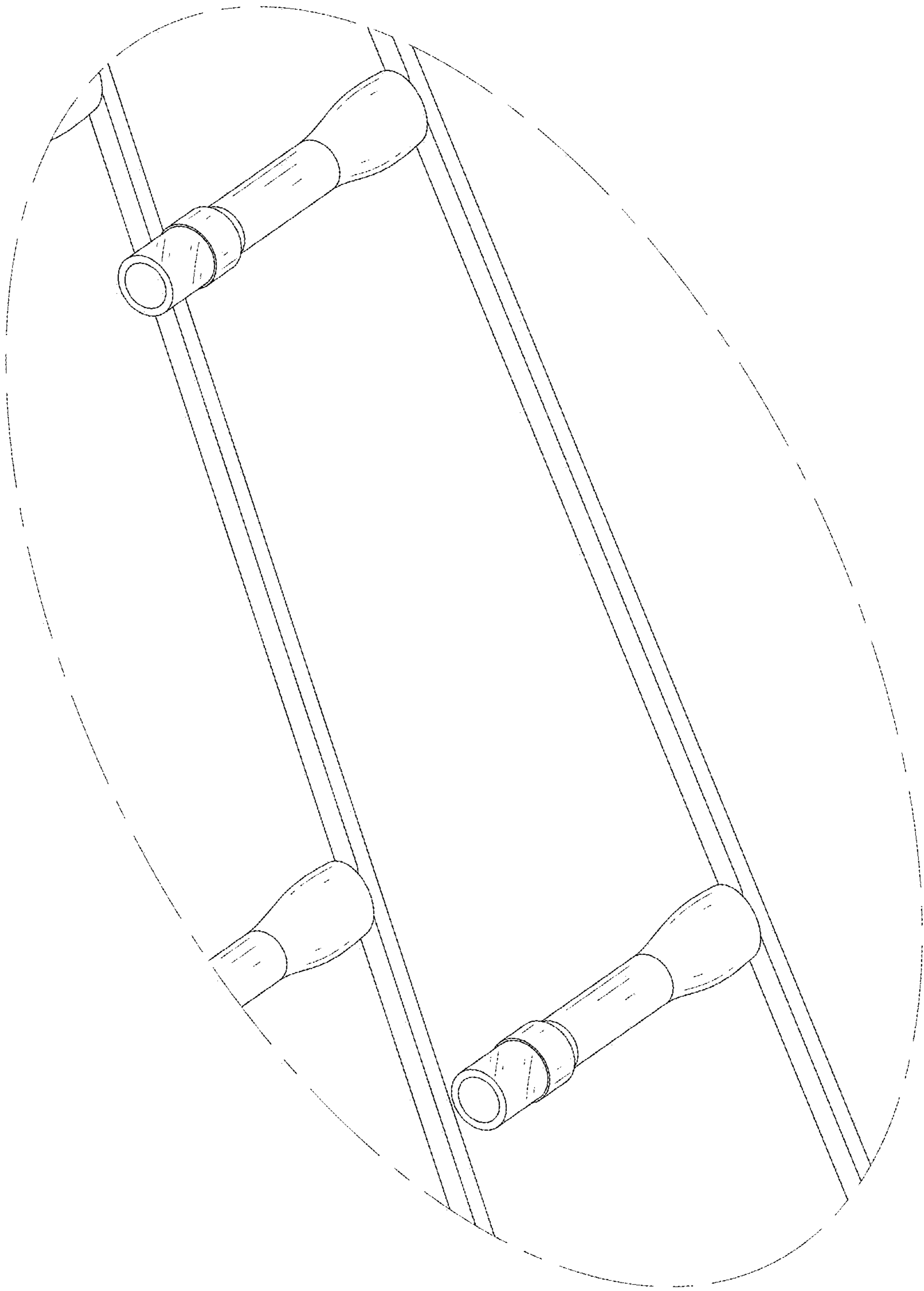


FIG. 10