



US00D917077S

(12) **United States Design Patent** (10) **Patent No.:** **US D917,077 S**  
**Henderson et al.** (45) **Date of Patent:** **\*\* Apr. 20, 2021**

(54) **SUPPORT POST**  
(71) Applicant: **Buildergear Corporation**, Sarnia (CA)  
(72) Inventors: **Scott Henderson**, Sarnia (CA); **Derek Dochstader**, Sarnia (CA)

8,984,834 B1 \* 3/2015 Butler ..... H02G 7/05  
52/514  
D794,221 S \* 8/2017 Morales ..... D25/126  
D806,902 S \* 1/2018 Morales ..... D25/126  
2016/0060892 A1 \* 3/2016 Odegard ..... E04H 12/2292  
52/835  
2020/0157839 A1 \* 5/2020 Henderson ..... E04H 17/20

(73) Assignee: **Buildergear Corporation**, Sarnia (CA)  
(\*\*) Term: **15 Years**

\* cited by examiner  
*Primary Examiner* — Samantha Q Lawrence  
(74) *Attorney, Agent, or Firm* — Banner & Witcoff, Ltd.

(21) Appl. No.: **29/688,666**  
(22) Filed: **Apr. 23, 2019**

(57) **CLAIM**  
The ornamental design for a support post, as shown and described.

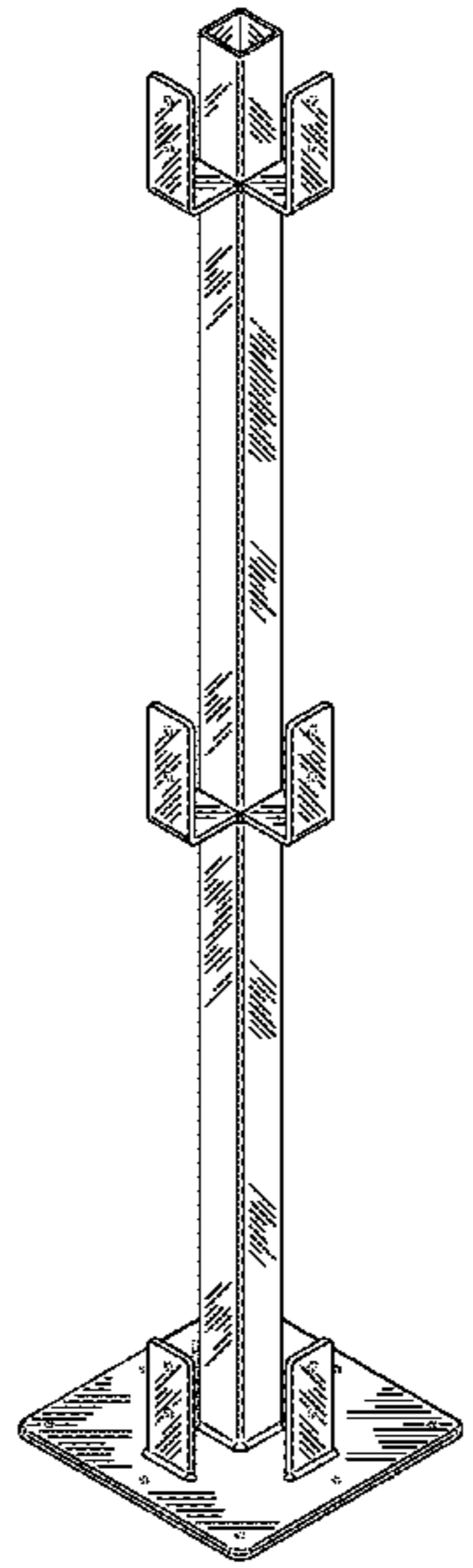
(30) **Foreign Application Priority Data**  
Oct. 23, 2018 (CA) ..... CA 184271  
(51) **LOC (13) Cl.** ..... **25-01**  
(52) **U.S. Cl.**  
USPC ..... **D25/126**  
(58) **Field of Classification Search**  
USPC ..... D25/119, 125, 126, 127, 128, 129, 130,  
D25/131, 132, 133, 134, 135, 136, 38.1,  
D25/199  
CPC ... F23M 5/04; F27B 2014/0843; F27D 1/141;  
F27D 1/142; E04G 17/16; E04G  
2007/285; E04G 5/14; E04G 5/141; E04G  
5/145; E04G 7/28  
See application file for complete search history.

**DESCRIPTION**

FIG. 1 is a front-left-top perspective view of a support post showing our new design;  
FIG. 2 is a front-right-bottom perspective view thereof;  
FIG. 3 is a left-rear-top perspective view thereof;  
FIG. 4 is a left side view thereof;  
FIG. 5 is a side view taken from the left-front corner thereof;  
FIG. 6 is a rear view thereof;  
FIG. 7 is a front view thereof;  
FIG. 8 is a top view thereof;  
FIG. 9 is a bottom view thereof;  
FIG. 10 is a front view thereof;  
FIG. 11 is a front view thereof; and,  
FIG. 12 is a front-right-top perspective view thereof.  
The broken lines shown in FIGS. 10-12 illustrate portions of the support post that form no part of the claimed design. The additional broken lines shown in FIGS. 10-12 that show an additional support post and a horizontal rail illustrates environment and form no part of the claimed design. The broken line break lines shown in FIG. 10 illustrates a symbolic break in length. The appearance of any portion of the Support Post between the break lines forms no part of the claimed design.

(56) **References Cited**  
**U.S. PATENT DOCUMENTS**  
D255,159 S \* 5/1980 Selbee ..... D25/131  
D269,912 S \* 7/1983 Aho ..... D25/131  
D372,316 S \* 7/1996 Purvis ..... D25/126  
6,543,958 B2 \* 4/2003 Huang ..... A01B 1/222  
30/329  
D565,257 S \* 3/2008 Cusick ..... D30/154  
D678,554 S \* 3/2013 Tidemann ..... D25/126

**1 Claim, 12 Drawing Sheets**



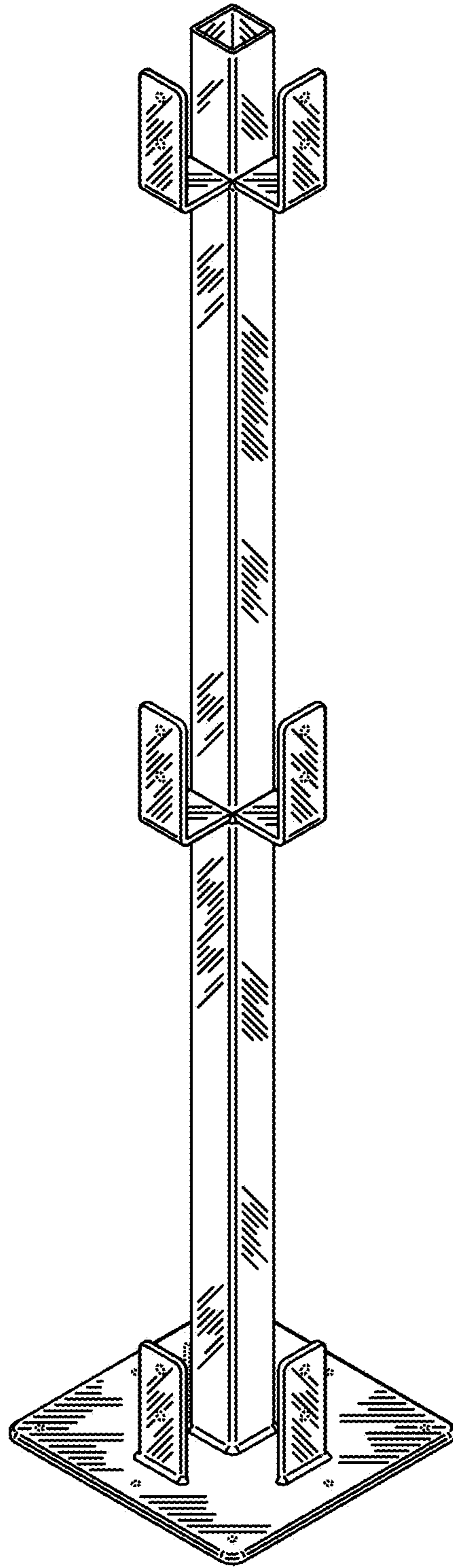


FIG. 1

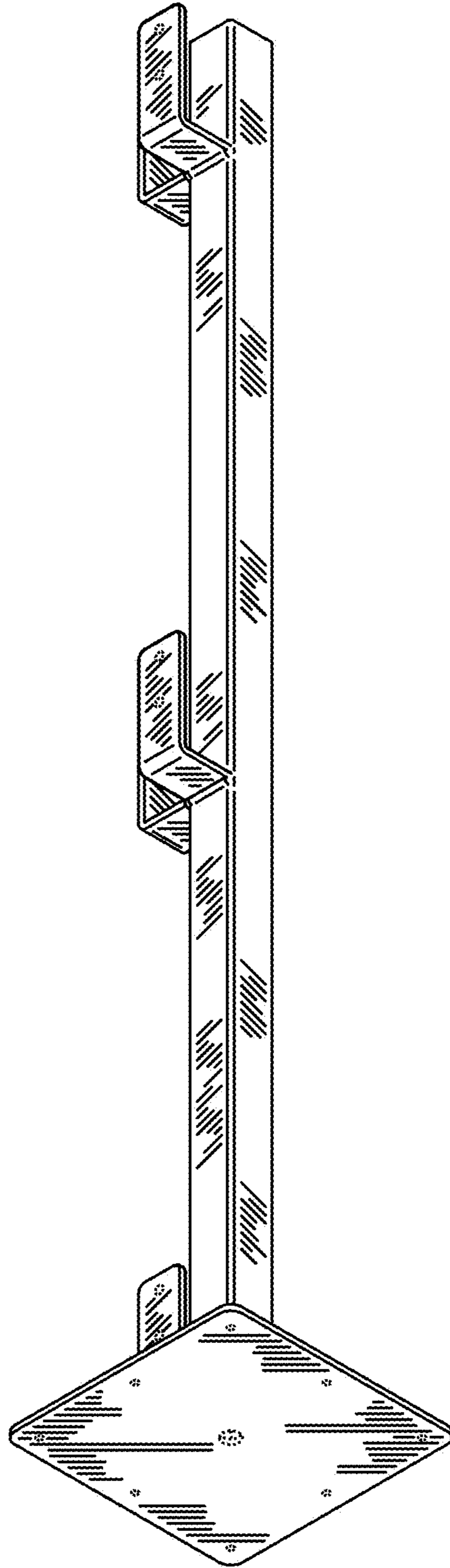


FIG. 2

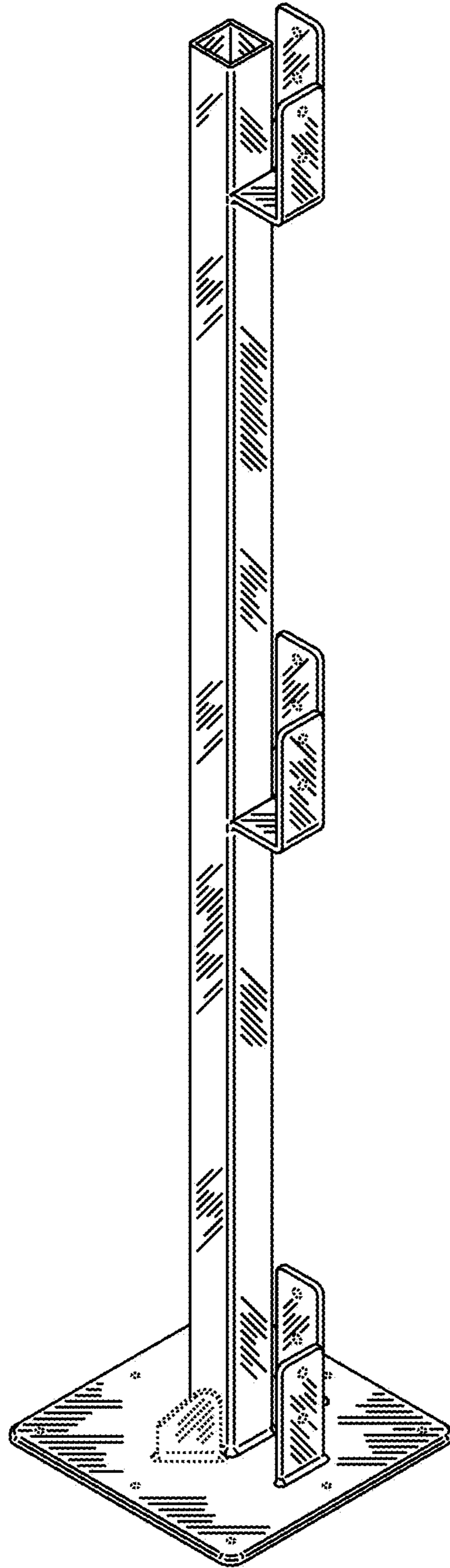


FIG. 3

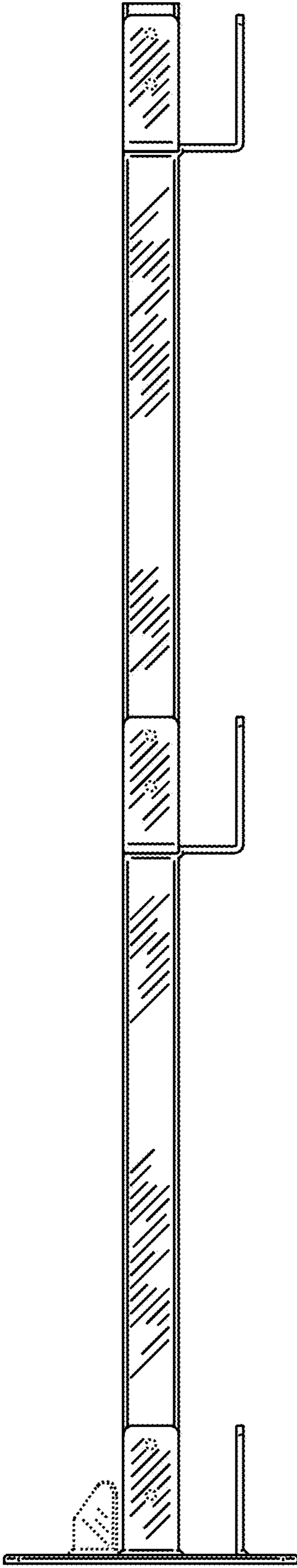


FIG. 4



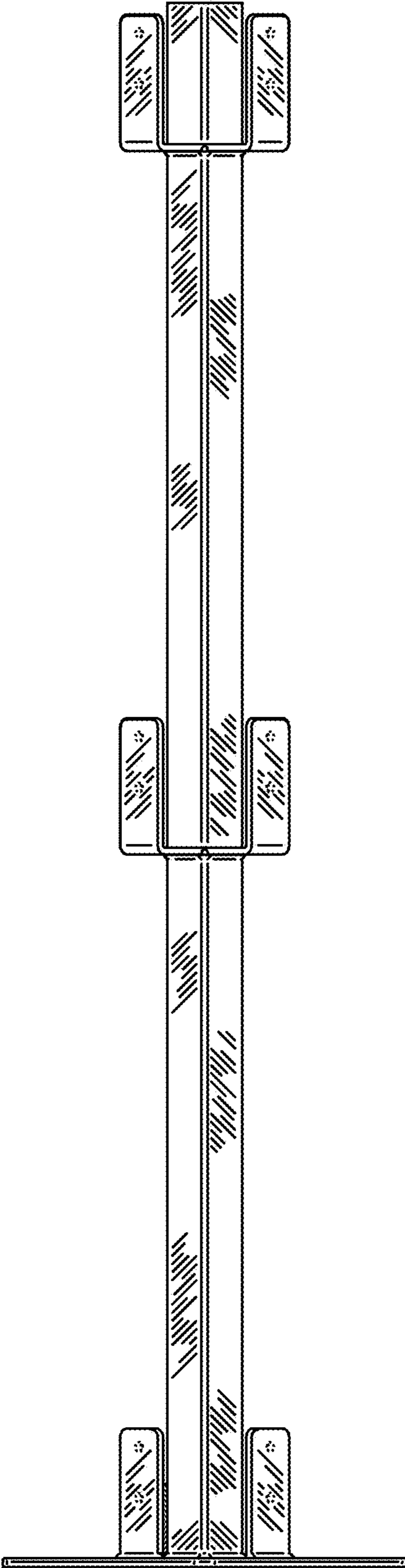


FIG. 5

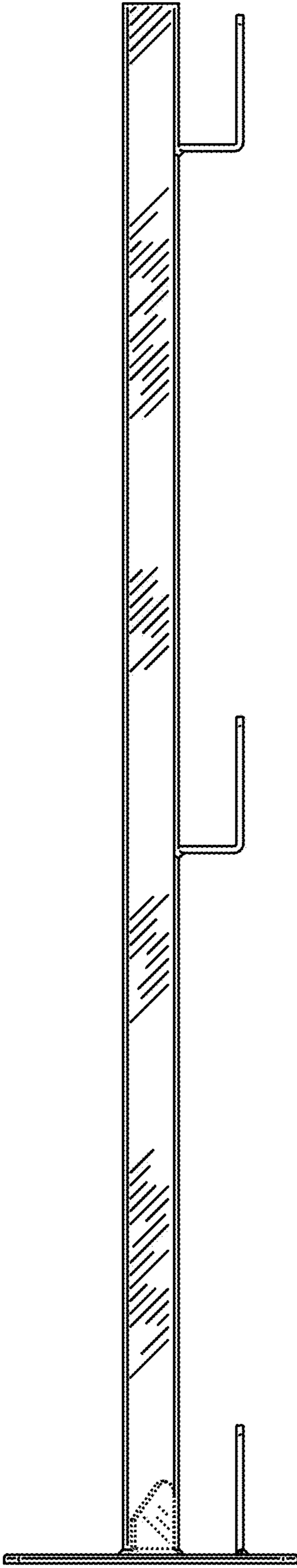


FIG. 6

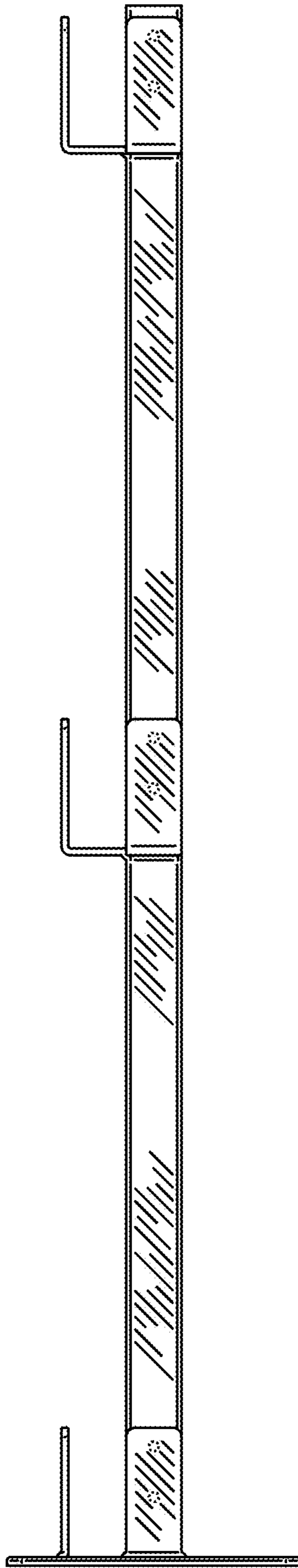


FIG. 7



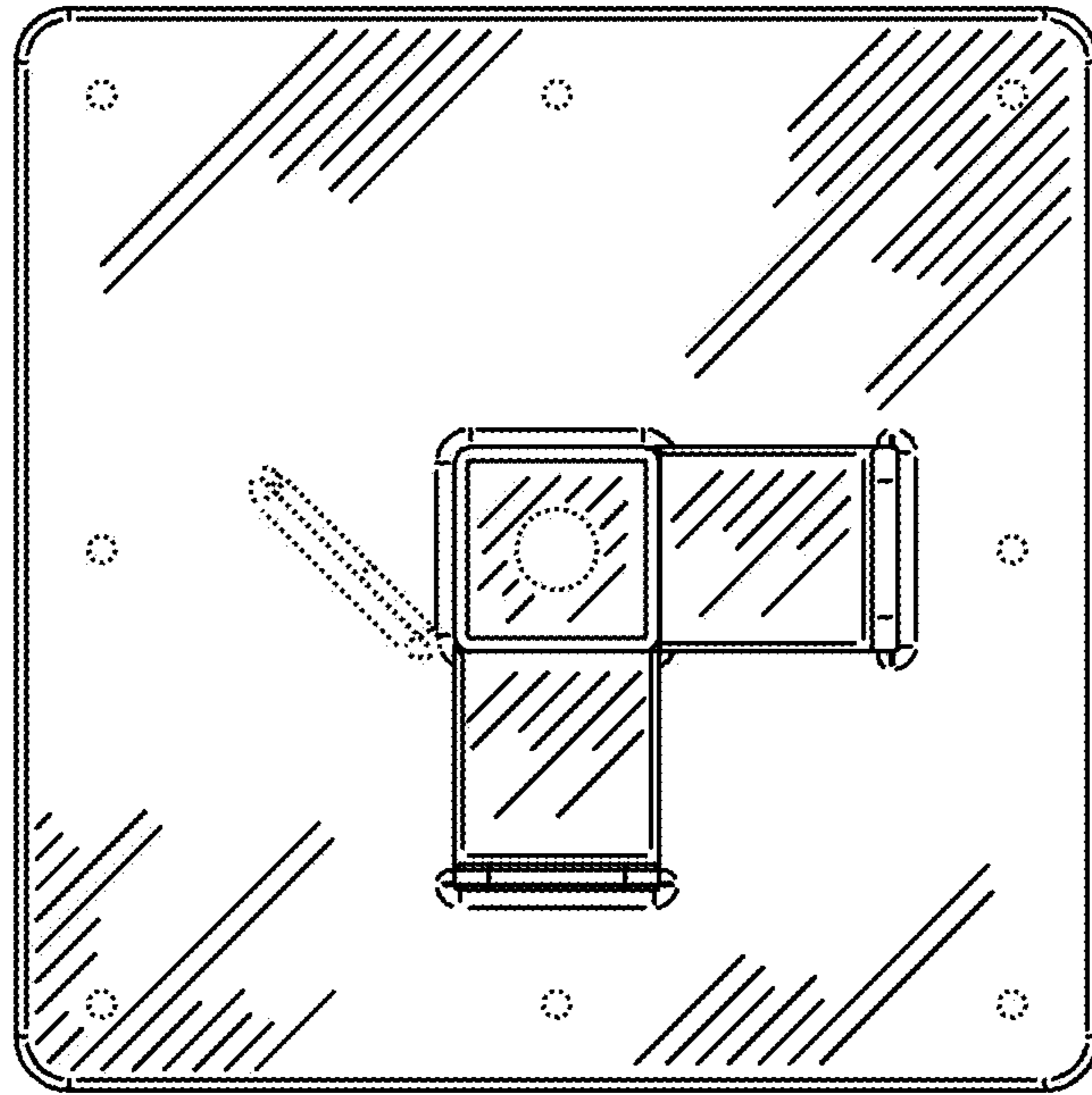


FIG. 8

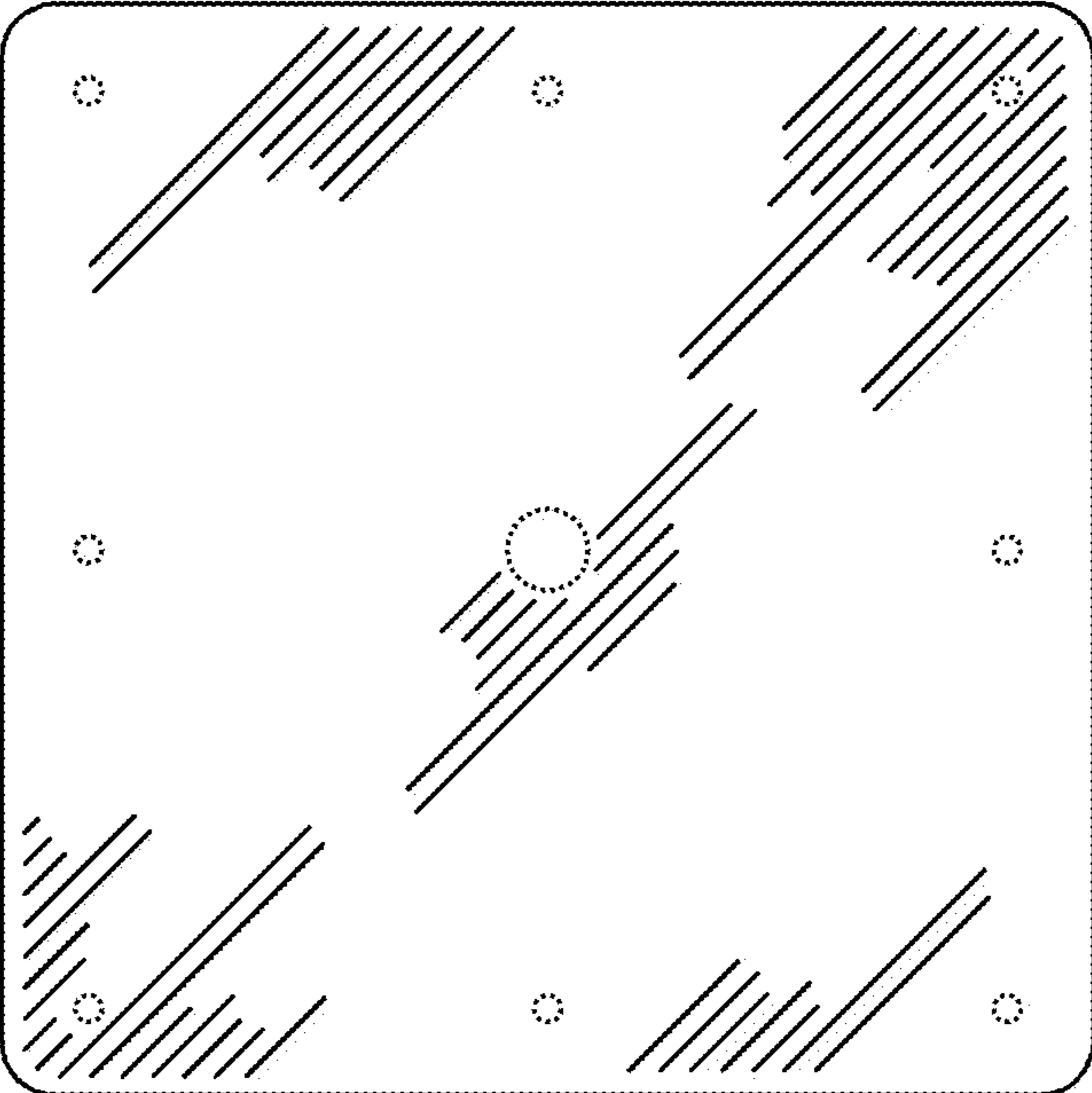


FIG. 9

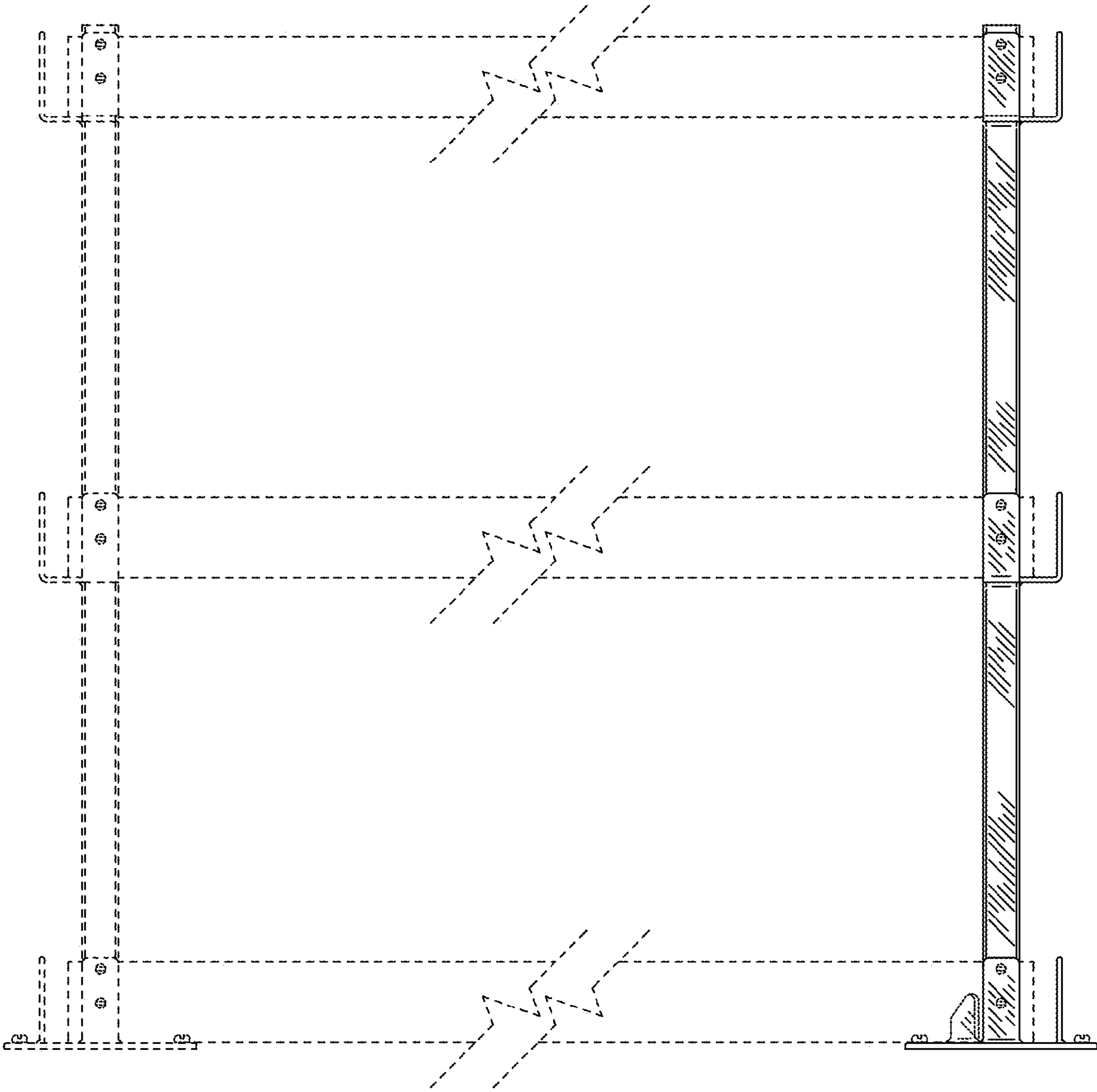


FIG. 10

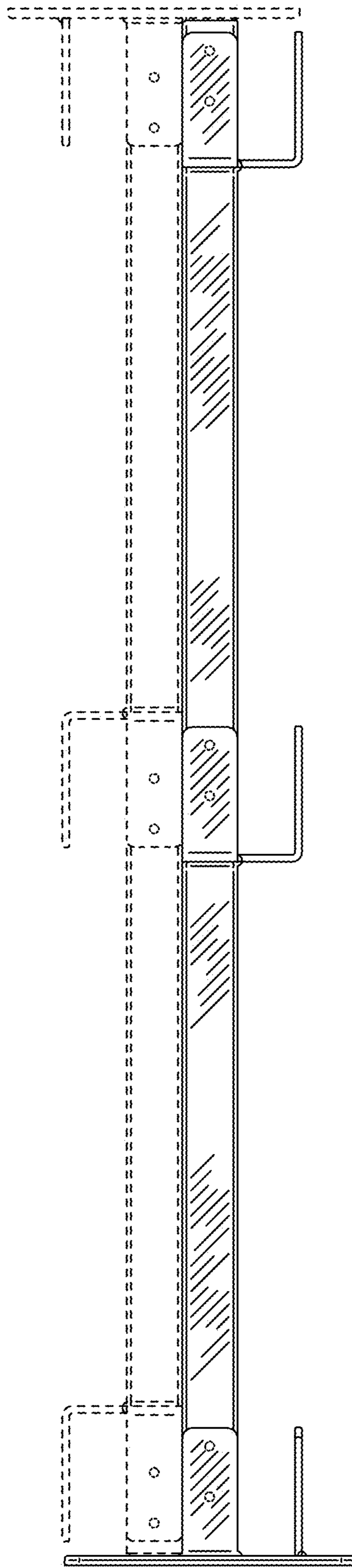


FIG. 11

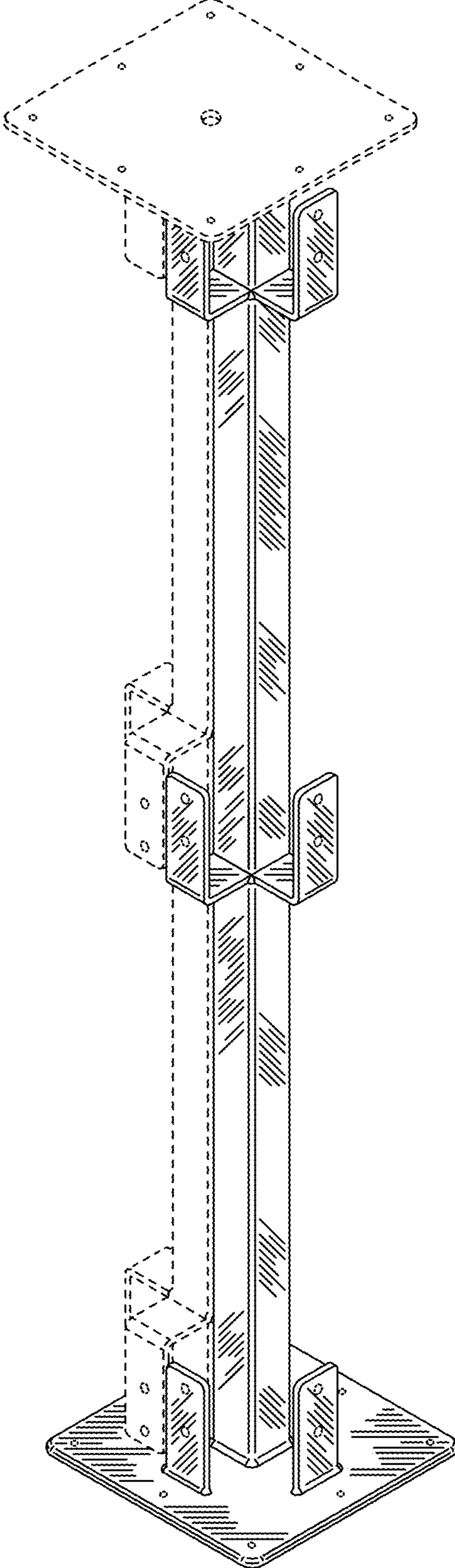


FIG. 12