



US00D917076S

(12) **United States Design Patent**  
Nelson et al.

(10) **Patent No.:** **US D917,076 S**

(45) **Date of Patent:** **\*\* Apr. 20, 2021**

(54) **FENESTRATION COMPONENT EXTRUSION**

(71) Applicant: **JELD-WEN, Inc.**, Charlotte, NC (US)

(72) Inventors: **Jacob Nelson**, Klamath Falls, OR (US);  
**Yoshua Gombo**, Seattle, WA (US);  
**David Belau**, Klamath Falls, OR (US);  
**Ryan Schroeder**, Klamath Falls, OR  
(US); **Jerry Jones**, Klamath Falls, OR  
(US)

(73) Assignee: **JELD-WEN, Inc.**, Charlotte, NC (US)

(\*\*) Term: **15 Years**

(21) Appl. No.: **29/722,579**

(22) Filed: **Jan. 30, 2020**

(51) **LOC (13) Cl.** ..... **25-01**

(52) **U.S. Cl.**  
USPC ..... **D25/124**

(58) **Field of Classification Search**  
USPC ..... D25/35, 102, 119–125, 164; D8/354,  
D8/373, 374, 376, 377

CPC ..... E06B 1/02; E06B 1/04; E06B 1/12; E06B  
1/14; E06B 1/16; E06B 1/26; E06B 1/28;  
E06B 1/36; E06B 1/363; E06B 1/366;  
E06B 1/38; E06B 1/40; E06B 1/52; E06B  
1/524; E06B 1/56; E06B 1/62; E06B  
1/68; E06B 3/04; E06B 3/06; E06B 3/24;  
E06B 3/26; E06B 3/30; E06B 3/301;  
E06B 3/306; E06B 3/308

See application file for complete search history.

(56) **References Cited**

**U.S. PATENT DOCUMENTS**

D325,993 S \* 5/1992 Valentin ..... D25/124  
D327,331 S \* 6/1992 Dallaire ..... D25/124  
D334,241 S \* 3/1993 Cole ..... D25/124  
D339,645 S \* 9/1993 Cole ..... D25/124

D378,431 S \* 3/1997 Dallaire ..... D25/124  
D379,529 S \* 5/1997 DiGiorgio ..... D25/124  
D382,655 S \* 8/1997 Colitto ..... D25/124  
D383,222 S \* 9/1997 Dallaire ..... D25/124  
D384,170 S \* 9/1997 Franson ..... D25/124  
D386,266 S \* 11/1997 Dallaire ..... D25/124  
D392,053 S \* 3/1998 Dallaire ..... D25/124  
D394,510 S \* 5/1998 Dallaire ..... D25/124  
D400,269 S \* 10/1998 Franson ..... D25/124  
D431,083 S \* 9/2000 Franson ..... D25/124  
D576,748 S \* 9/2008 Schrader ..... D25/125  
D602,174 S \* 10/2009 Franson ..... D25/124  
D691,740 S \* 10/2013 Kosonen ..... D25/124  
D714,468 S \* 9/2014 Fannan ..... D25/124  
D855,219 S \* 7/2019 Kosonen ..... D25/124  
2011/0154753 A1 \* 6/2011 Furgerson ..... E06B 1/68  
52/204.1  
2020/0109593 A1 \* 4/2020 Kunkel ..... E06B 3/06

\* cited by examiner

*Primary Examiner* — Llorellys Martinez

(74) *Attorney, Agent, or Firm* — Stoel Rives LLP

(57) **CLAIM**

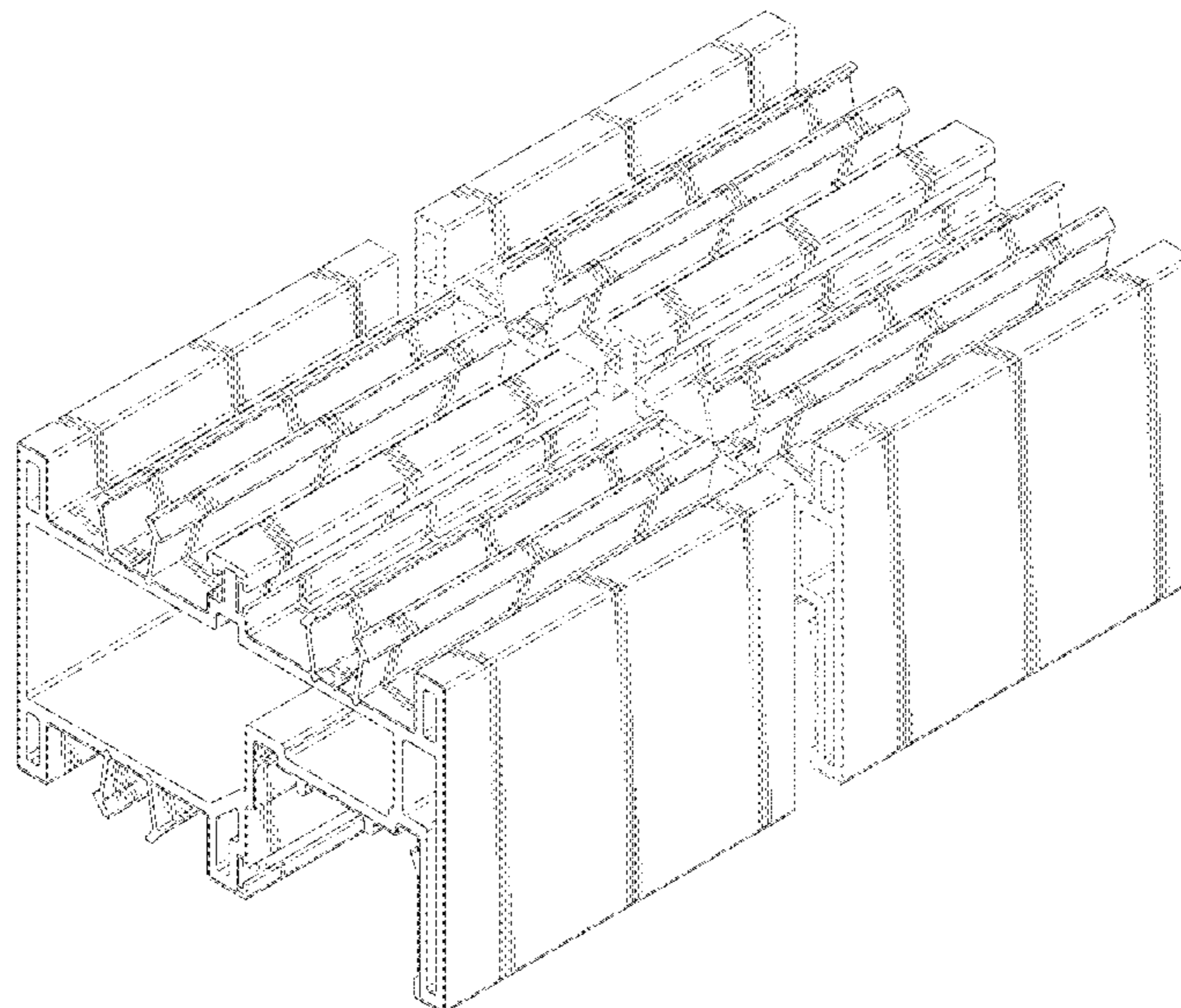
The ornamental design for a fenestration component extrusion, as shown and described.

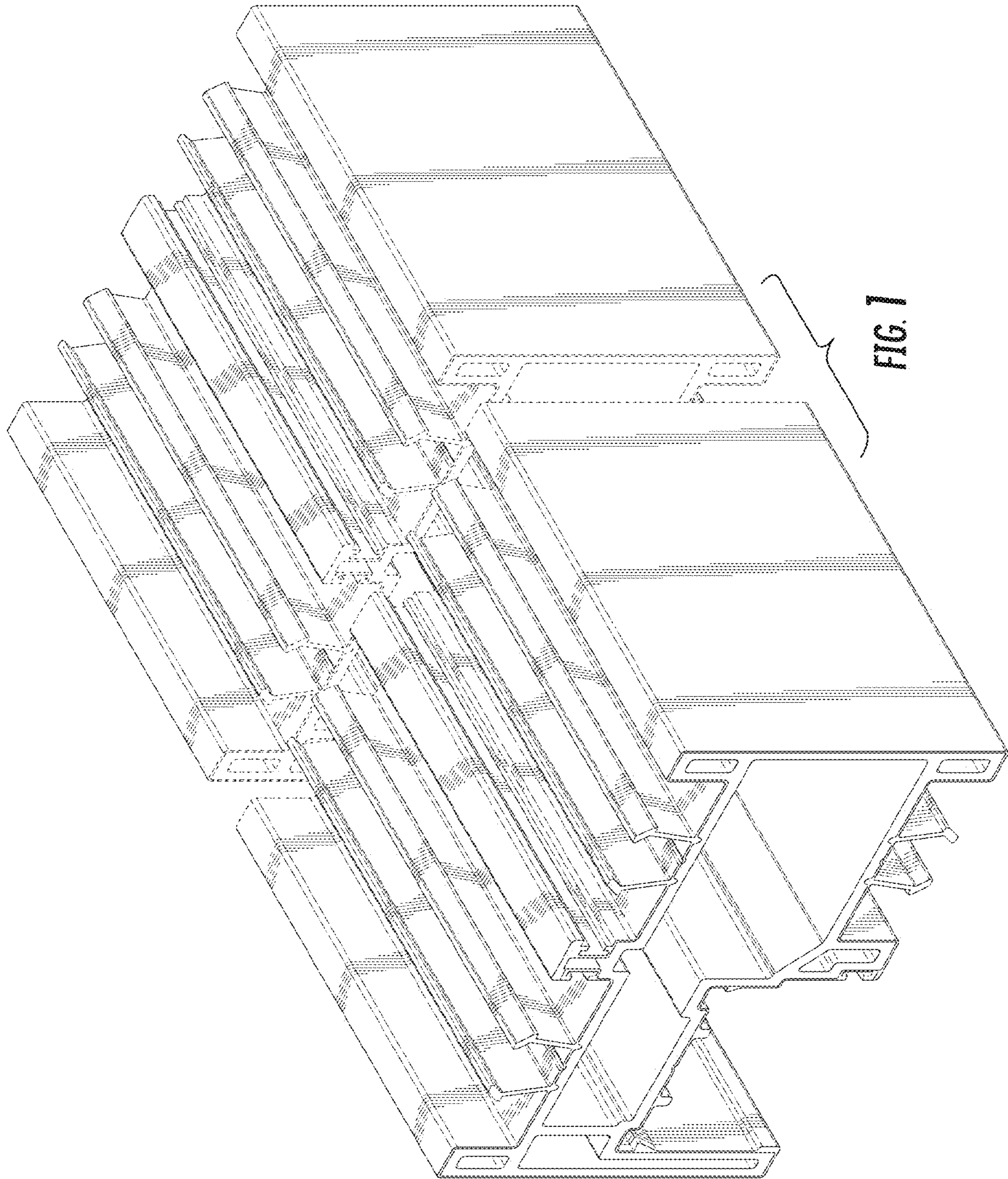
**DESCRIPTION**

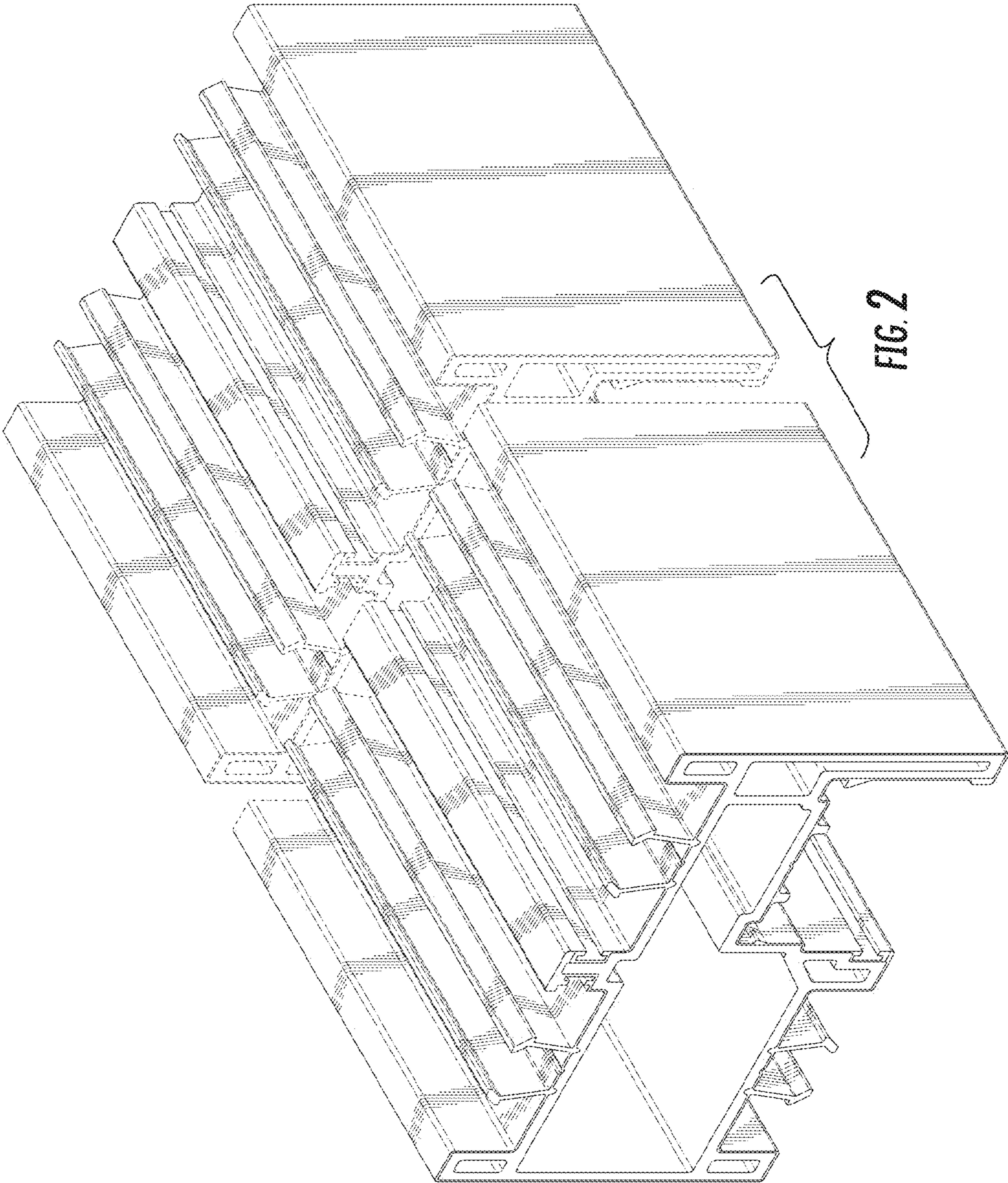
FIG. 1 is a front perspective view of a fenestration component extrusion showing our new design.  
FIG. 2 is a rear perspective view thereof.  
FIG. 3 is a front elevation view thereof.  
FIG. 4 is a rear elevation view thereof.  
FIG. 5 is a left side elevation view thereof.  
FIG. 6 is a right side elevation view thereof.  
FIG. 7 is a top plan view thereof; and,  
FIG. 8 is a bottom plan view thereof.

In FIGS. 1-4, 7, and 8, the fenestration component extrusion is shown with a symbolic break in its length. The appearance of any portion of the fenestration component extrusion between the break lines forms no part of the claimed design.

**1 Claim, 7 Drawing Sheets**







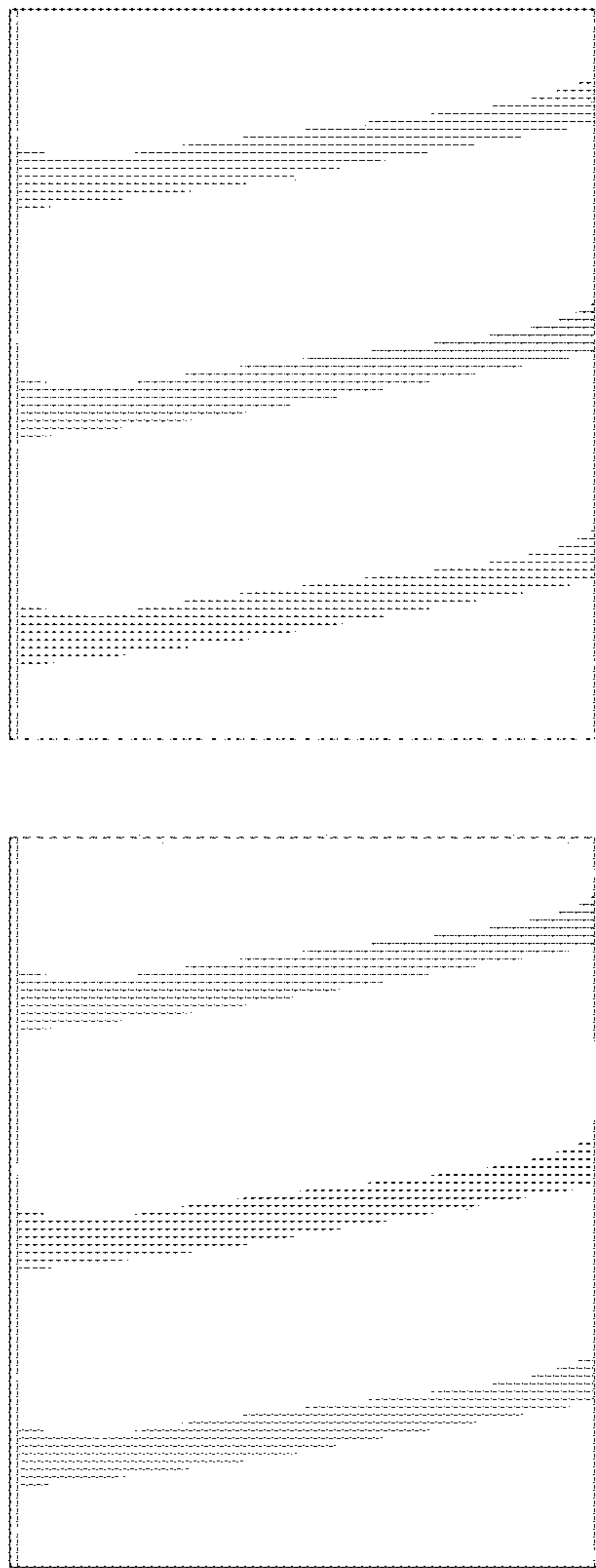


FIG. 3

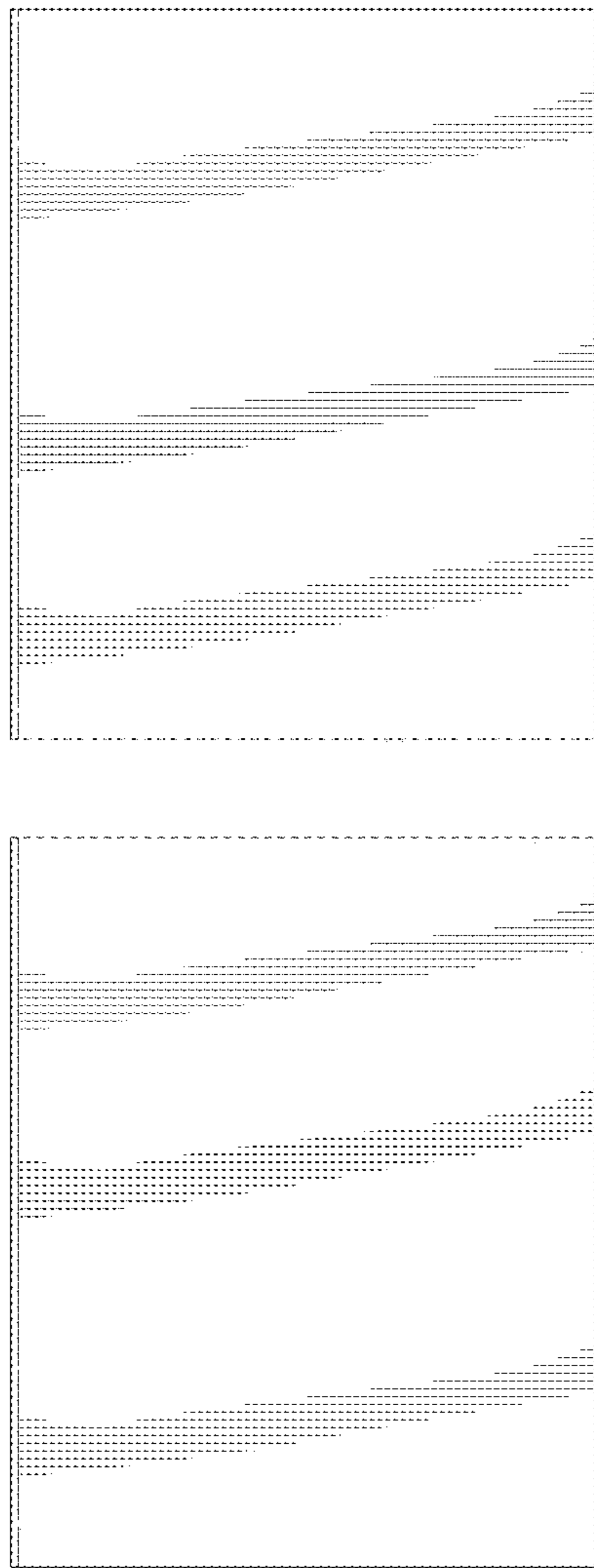
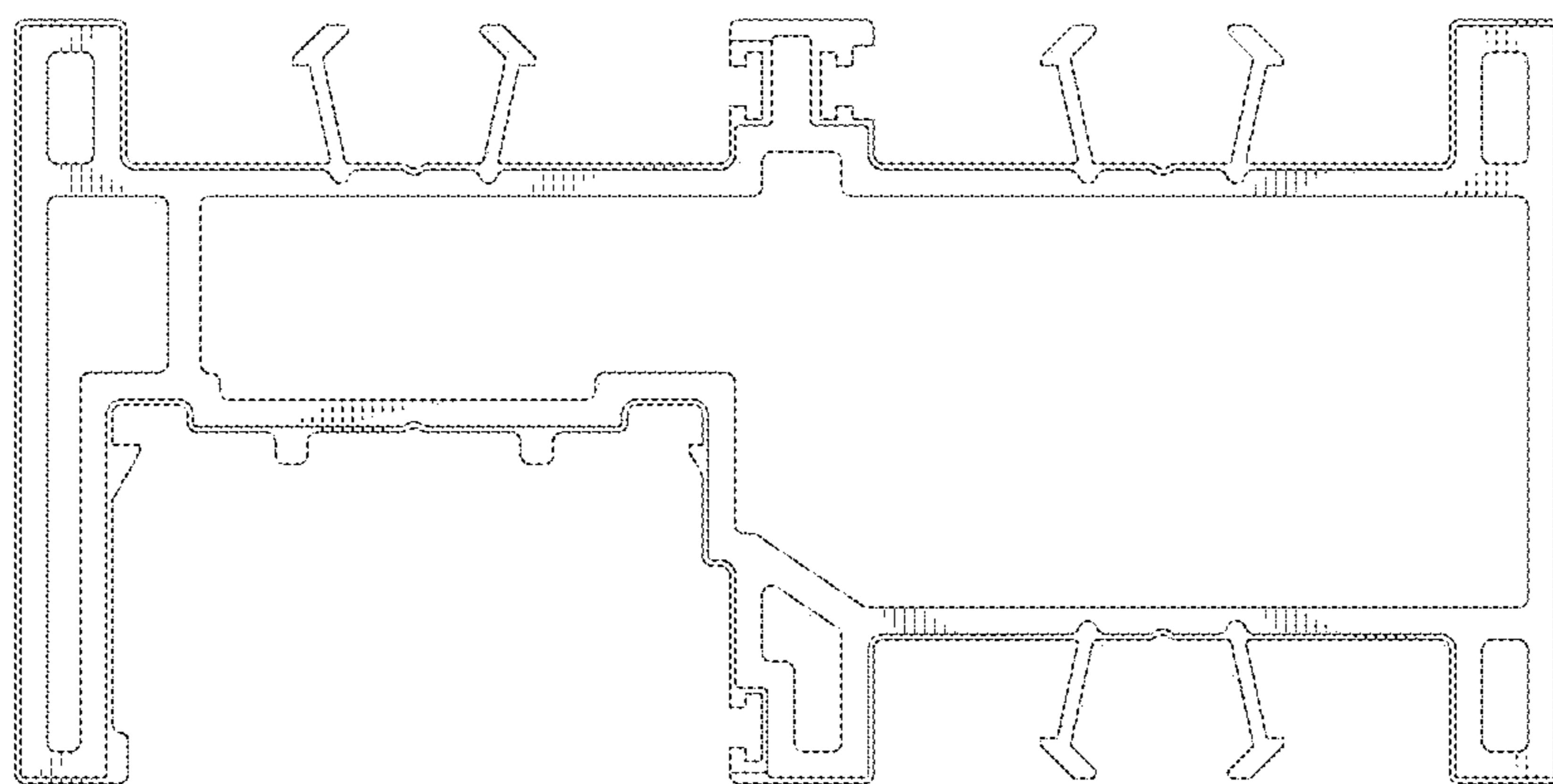
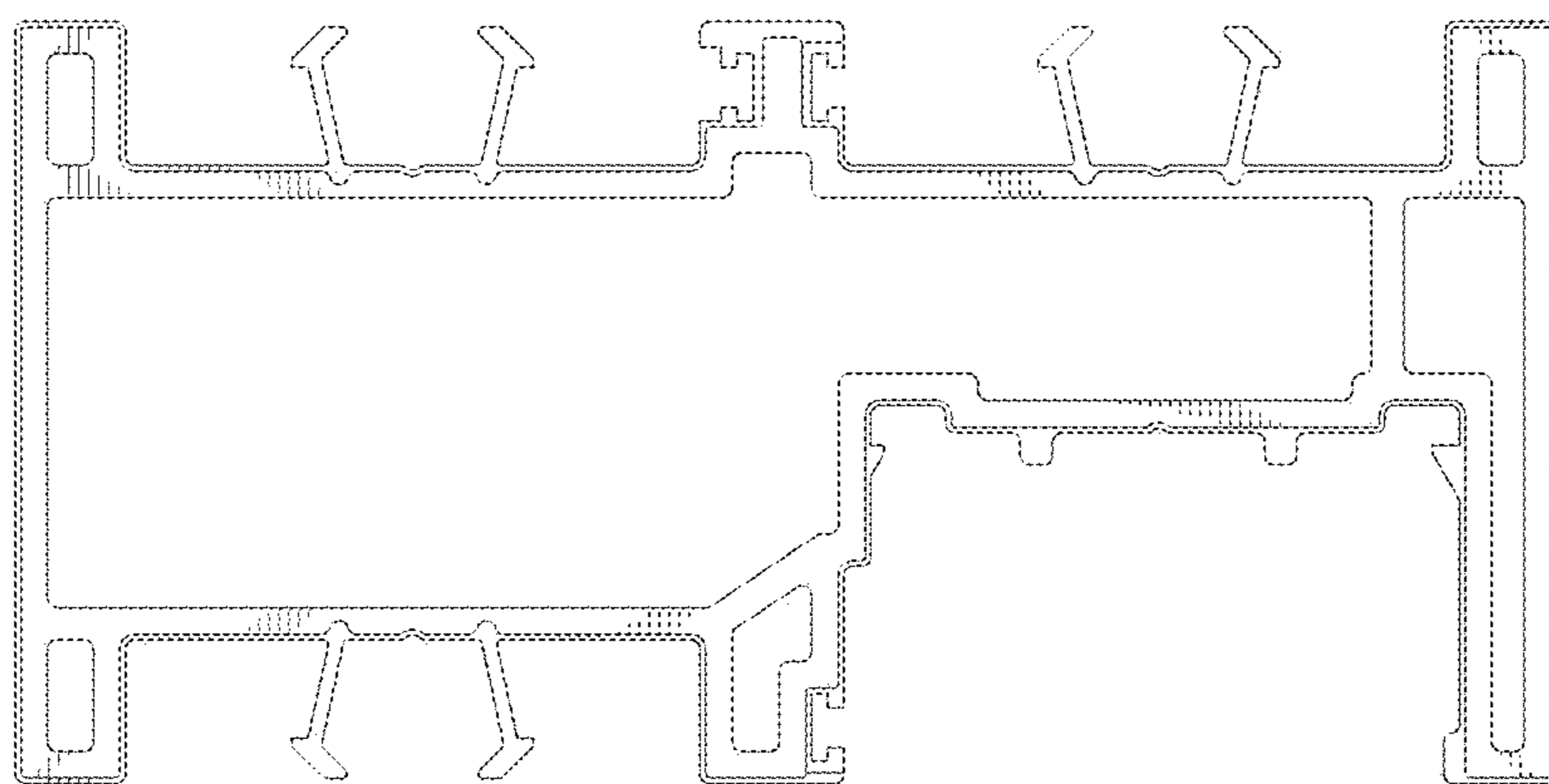


FIG. 4



**FIG. 5**



**FIG. 6**

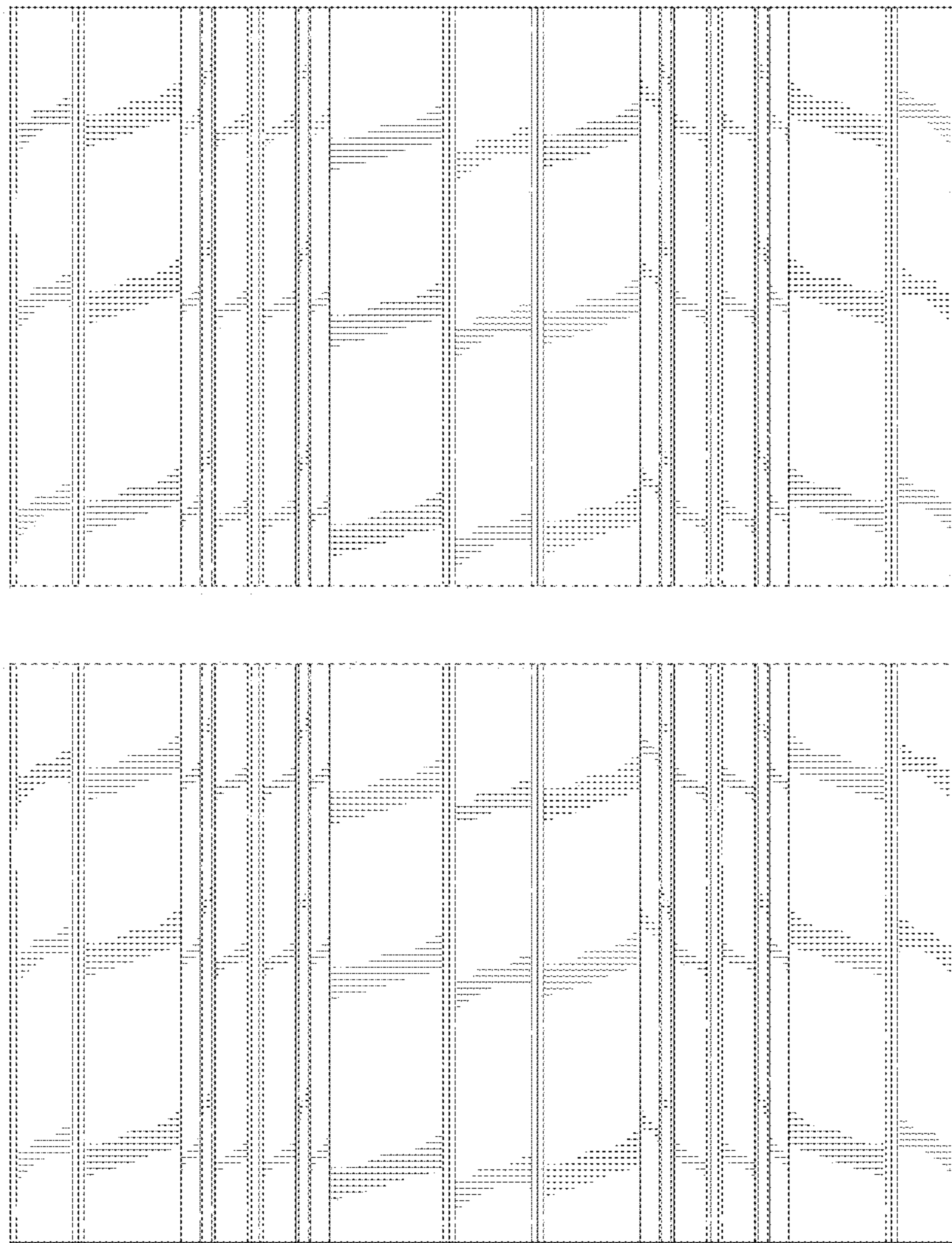


FIG. 7

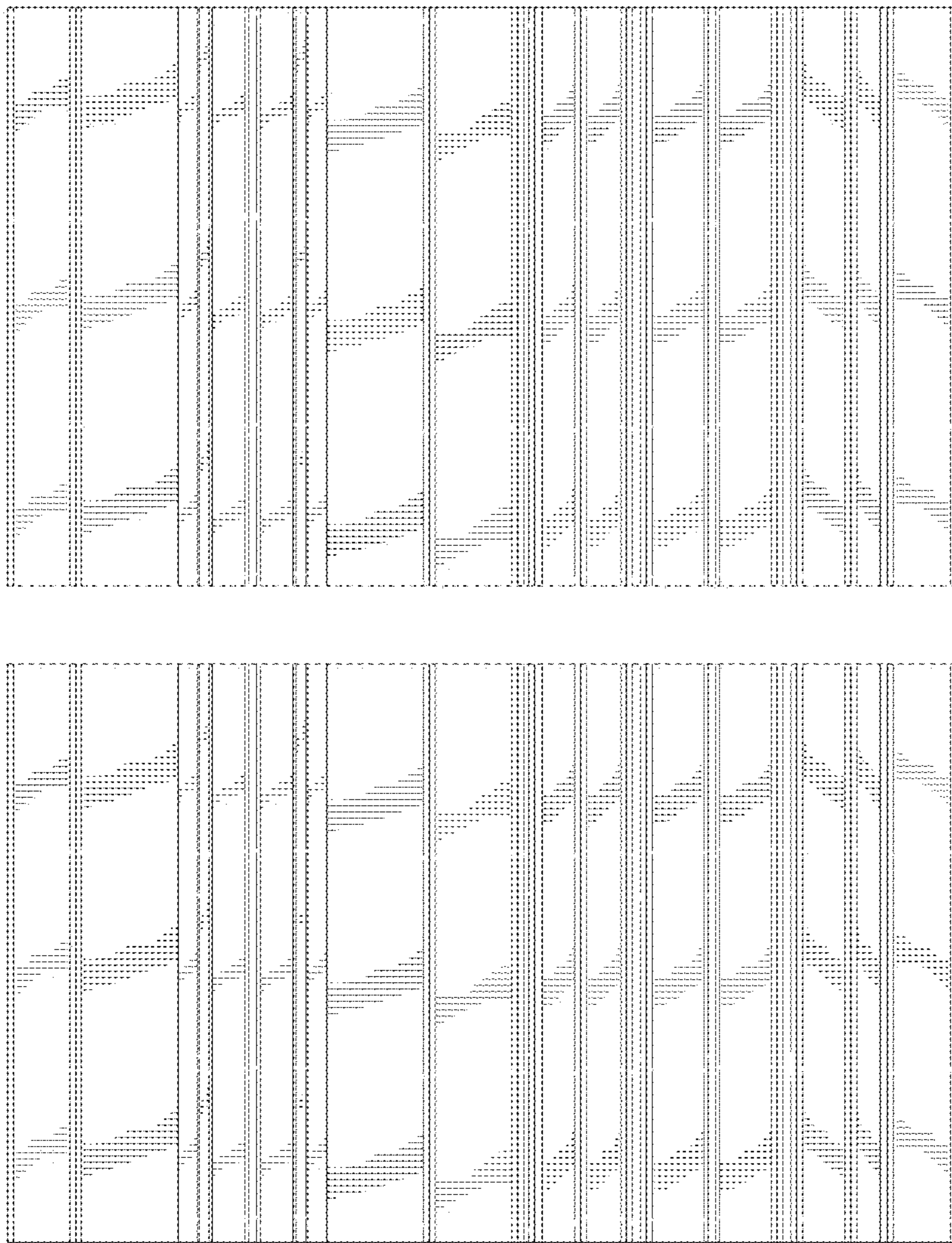


FIG. 8