



US00D917075S

(12) **United States Design Patent**
Nelson et al.

(10) **Patent No.:** **US D917,075 S**
(45) **Date of Patent:** **** Apr. 20, 2021**

(54) **FENESTRATION COMPONENT EXTRUSION**

(71) Applicant: **JELD-WEN, Inc.**, Charlotte, NC (US)

(72) Inventors: **Jacob Nelson**, Klamath Falls, OR (US);
Yoshua Gombo, Seattle, WA (US);
David Belau, Klamath Falls, OR (US);
Ryan Schroeder, Klamath Falls, OR
(US); **Jerry Jones**, Klamath Falls, OR
(US)

(73) Assignee: **JELD-WEN, Inc.**, Charlotte, NC (US)

(**) Term: **15 Years**

(21) Appl. No.: **29/722,578**

(22) Filed: **Jan. 30, 2020**

(51) **LOC (13) Cl.** **25-01**

(52) **U.S. Cl.**
USPC **D25/124**

(58) **Field of Classification Search**
USPC D25/35, 102, 119–125, 164; D8/354,
D8/373, 374, 376, 377

CPC E06B 1/02; E06B 1/04; E06B 1/12; E06B
1/14; E06B 1/16; E06B 1/26; E06B 1/28;
E06B 1/36; E06B 1/363; E06B 1/366;
E06B 1/38; E06B 1/40; E06B 1/52; E06B
1/524; E06B 1/56; E06B 1/62; E06B
1/68; E06B 3/04; E06B 3/06; E06B 3/24;
E06B 3/26; E06B 3/30; E06B 3/301;
E06B 3/306; E06B 3/308

See application file for complete search history.

(56) **References Cited**

U.S. PATENT DOCUMENTS

D325,993 S * 5/1992 Valentin D25/124
D327,331 S * 6/1992 Dallaire D25/124
D353,212 S * 12/1994 Schrader D25/124

D353,472 S * 12/1994 Schrader D25/124
D366,328 S * 1/1996 Oliver D25/124
D379,240 S * 5/1997 Jarrell D25/124
D380,562 S * 7/1997 Colitto D25/124
D382,655 S * 8/1997 Colitto D25/124
D400,269 S * 10/1998 Franson D25/124
D468,029 S * 12/2002 Salas D25/124
D546,976 S * 7/2007 Ye D25/124
D590,073 S * 4/2009 Schrader D25/124
D591,429 S * 4/2009 Franson D25/124
D640,395 S * 6/2011 Wickland D25/124
D855,831 S * 8/2019 Desrosiers D25/124
D872,312 S * 1/2020 Desrosiers D25/124
2011/0154753 A1 * 6/2011 Furgerson E06B 1/68
52/204.1
2017/0240738 A1 * 8/2017 Ehrlichmann E06B 3/30
2020/0109593 A1 * 4/2020 Kunkel E06B 3/06

* cited by examiner

Primary Examiner — Llorellys Martinez

(74) *Attorney, Agent, or Firm* — Stoel Rives LLP

(57) **CLAIM**

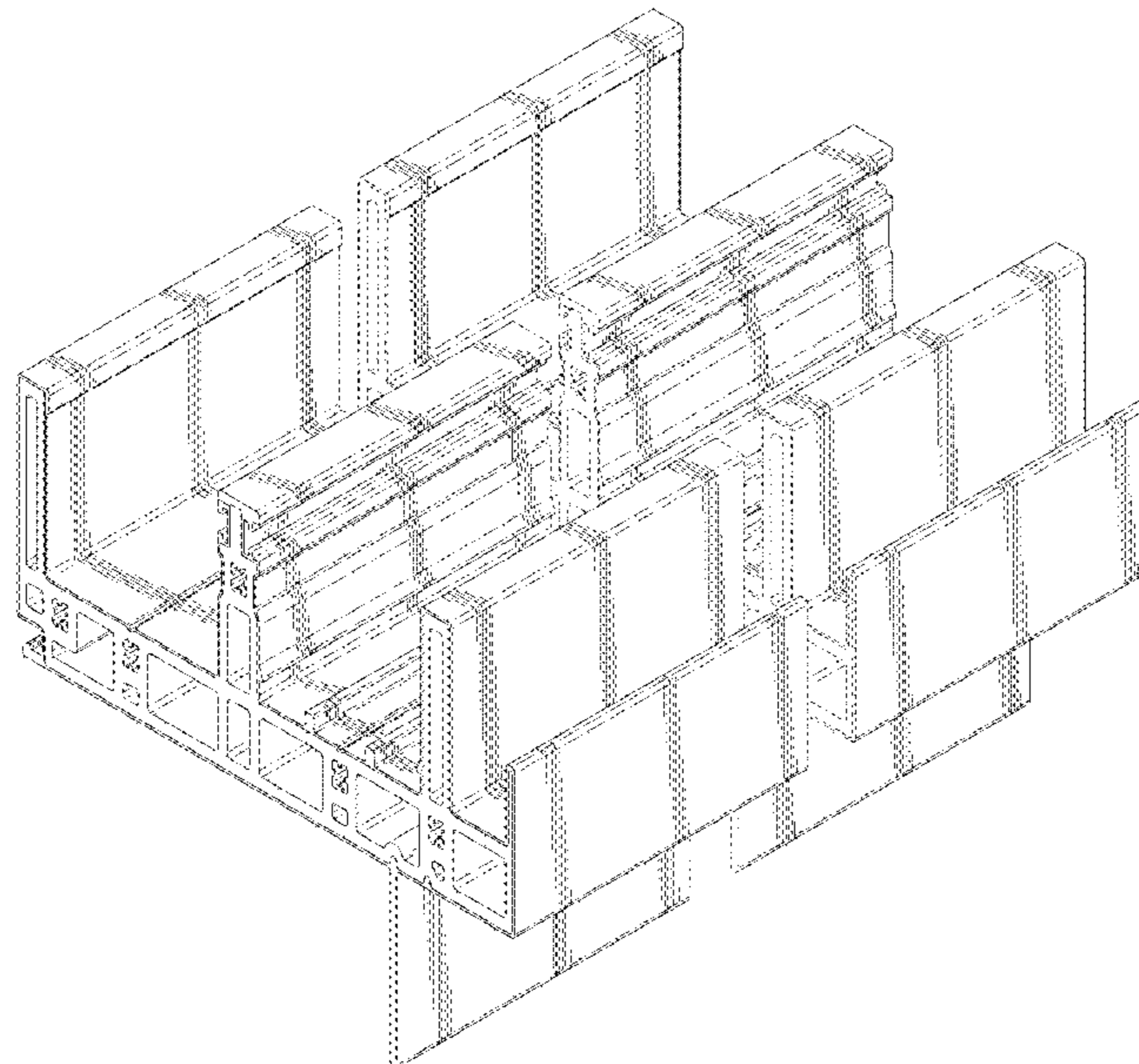
The ornamental design for a fenestration component extrusion, as shown and described.

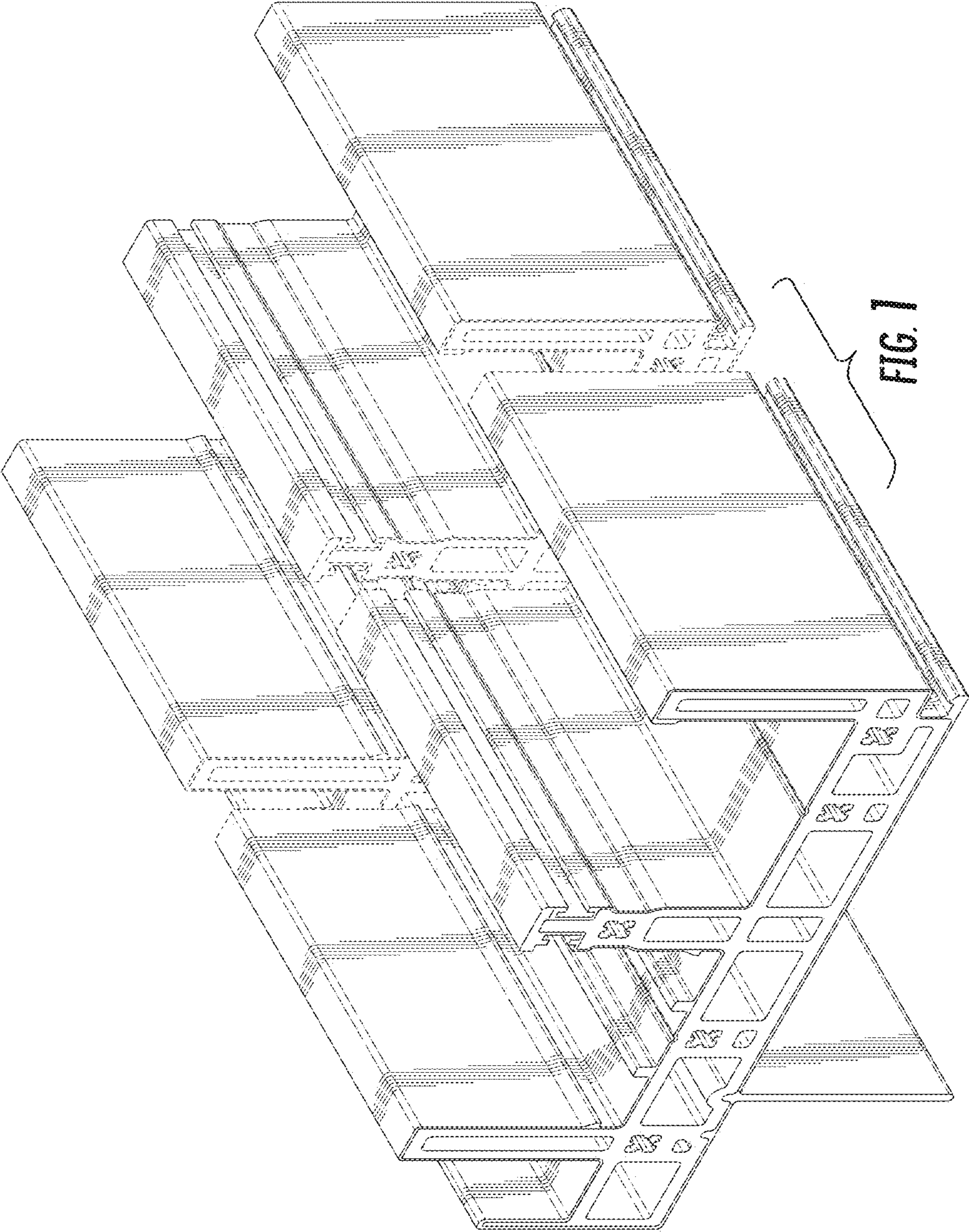
DESCRIPTION

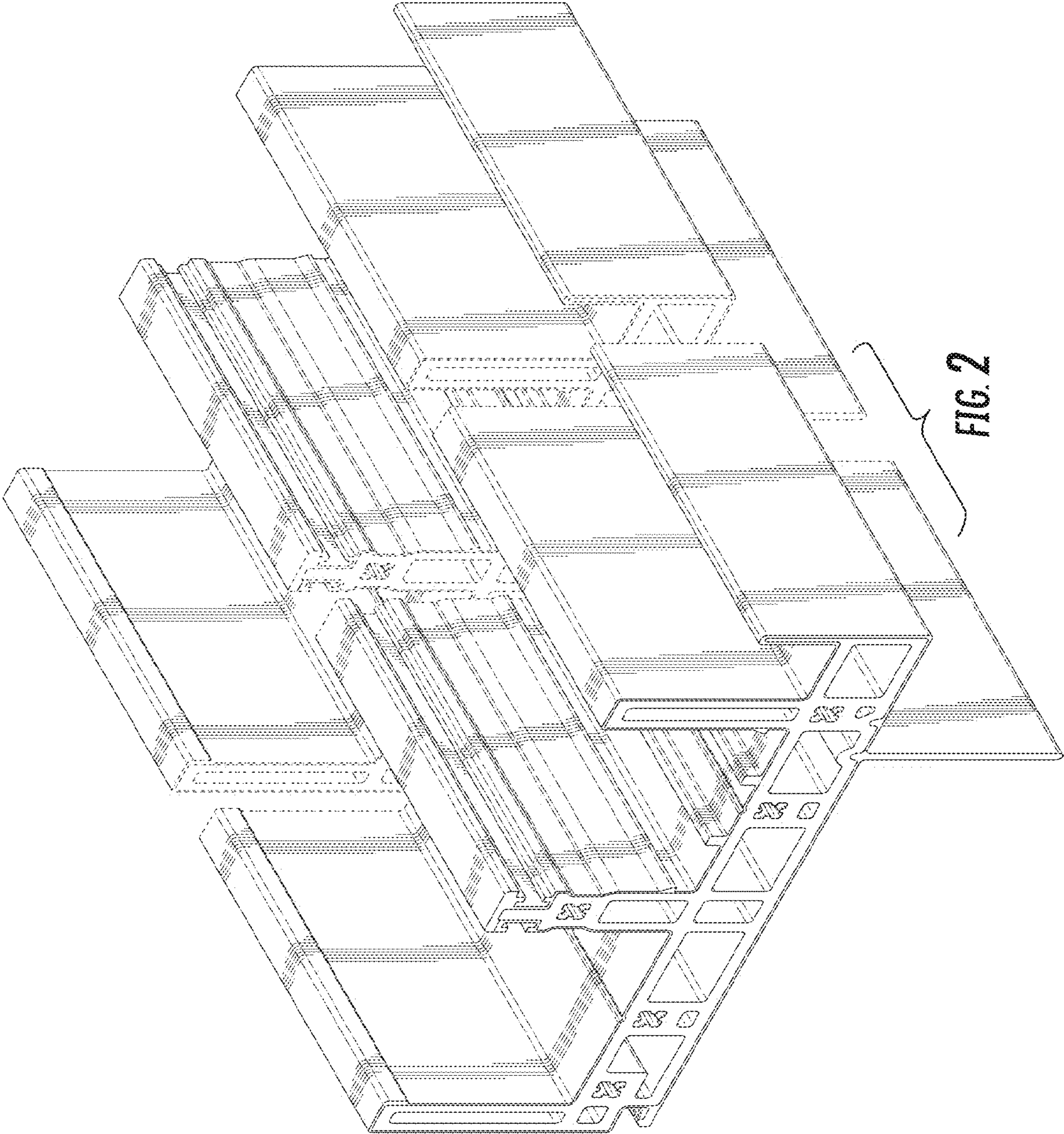
FIG. 1 is a front perspective view of a fenestration component extrusion showing our new design. FIG. 2 is a rear perspective view thereof. FIG. 3 is a front elevation view thereof. FIG. 4 is a rear elevation view thereof. FIG. 5 is a left side elevation view thereof. FIG. 6 is a right side elevation view thereof. FIG. 7 is a top plan view thereof; and, FIG. 8 is a bottom plan view thereof.

In FIGS. 1-4, 7, and 8, the fenestration component extrusion is shown with a symbolic break in its length. The appearance of any portion of the fenestration component extrusion between the break lines forms no part of the claimed design.

1 Claim, 7 Drawing Sheets







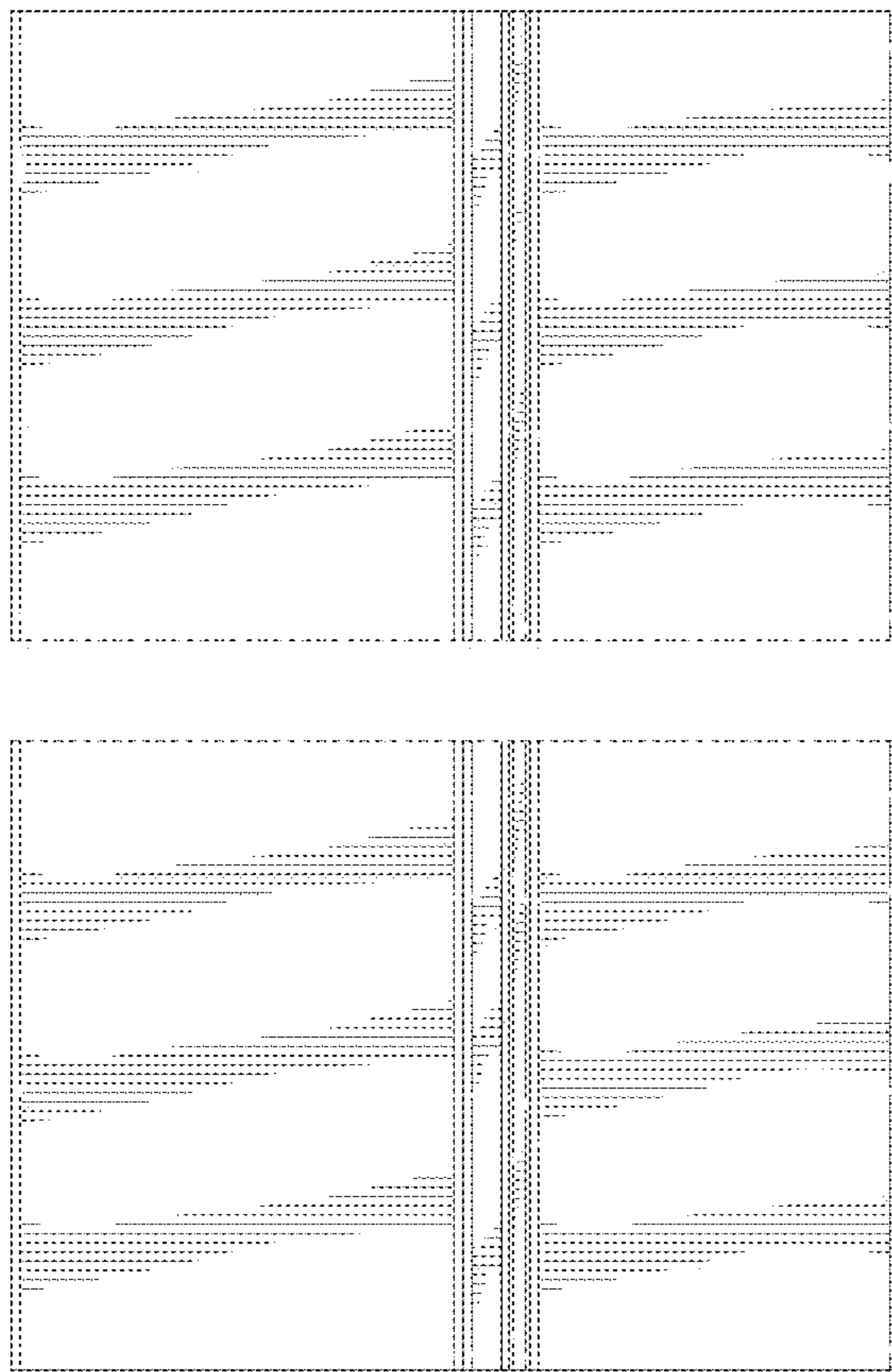


FIG. 3

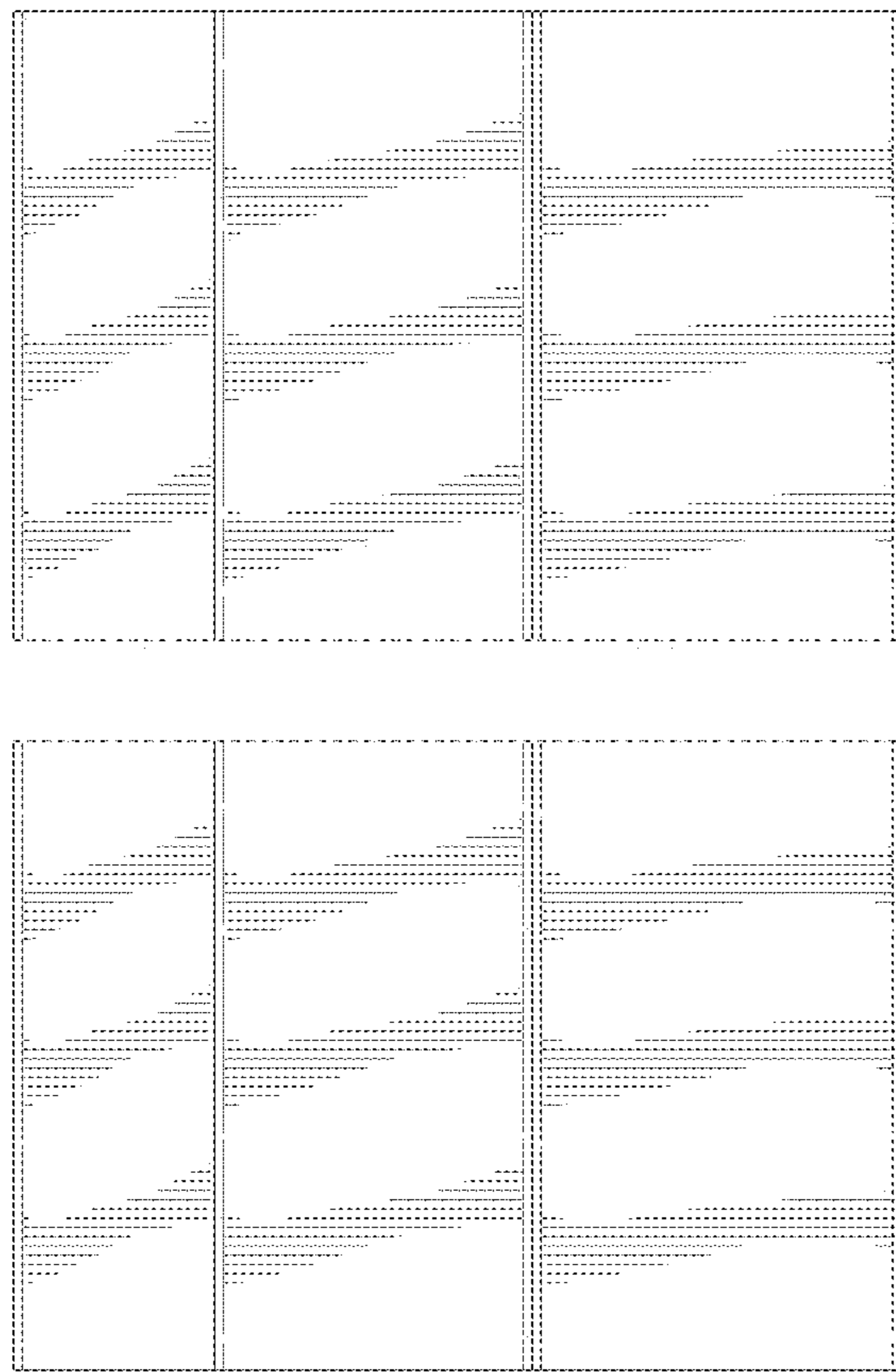


FIG. 4

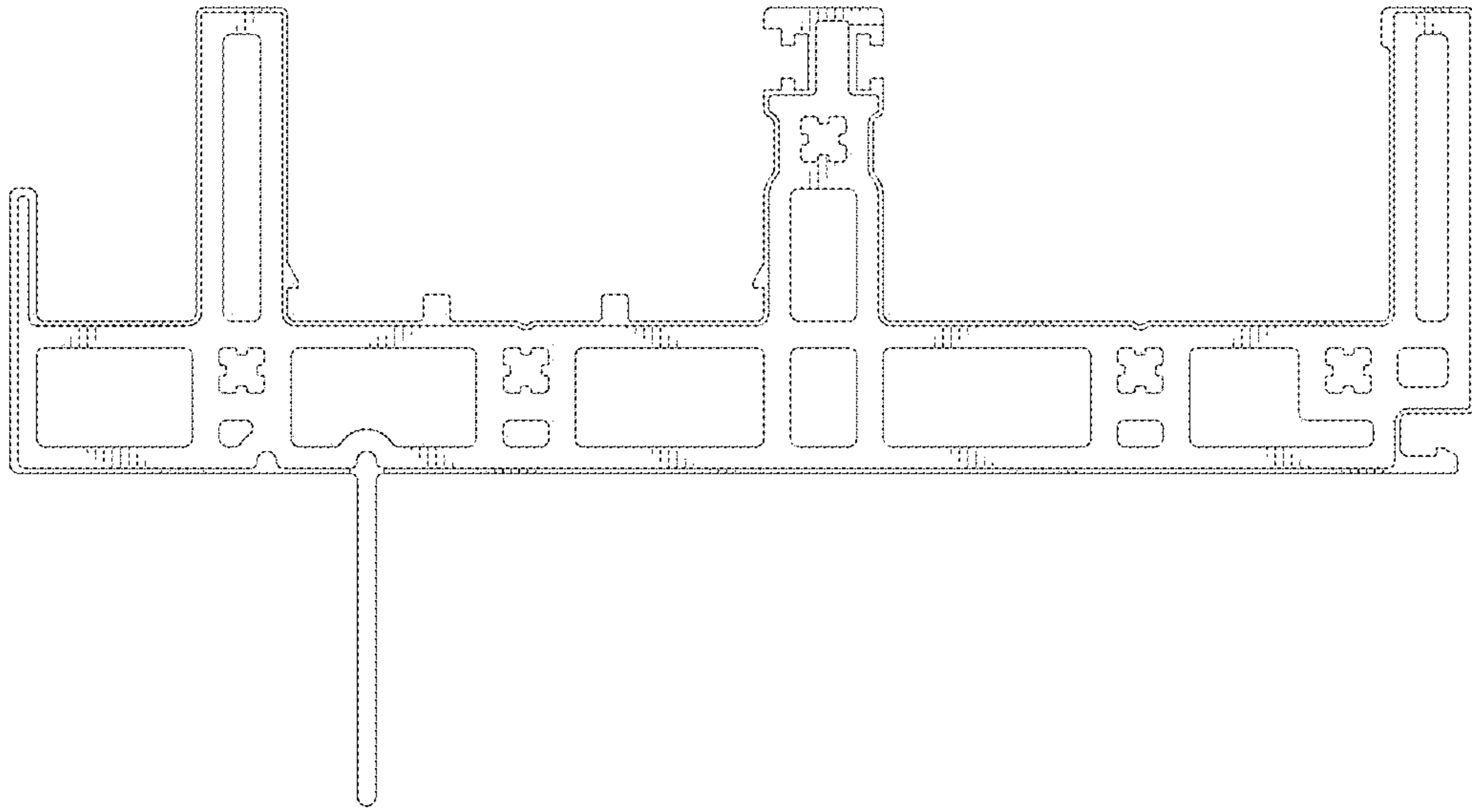


FIG. 5

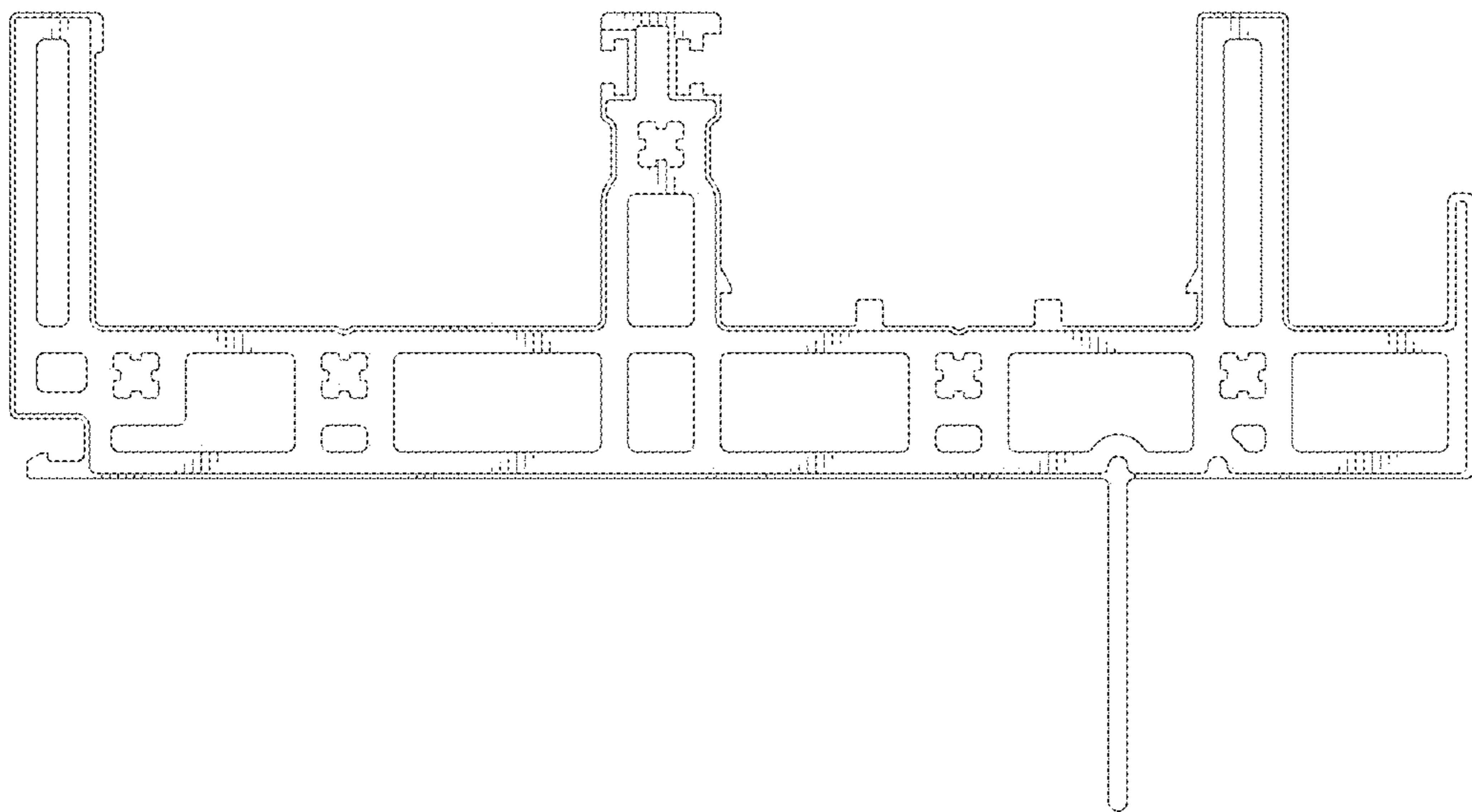


FIG. 6

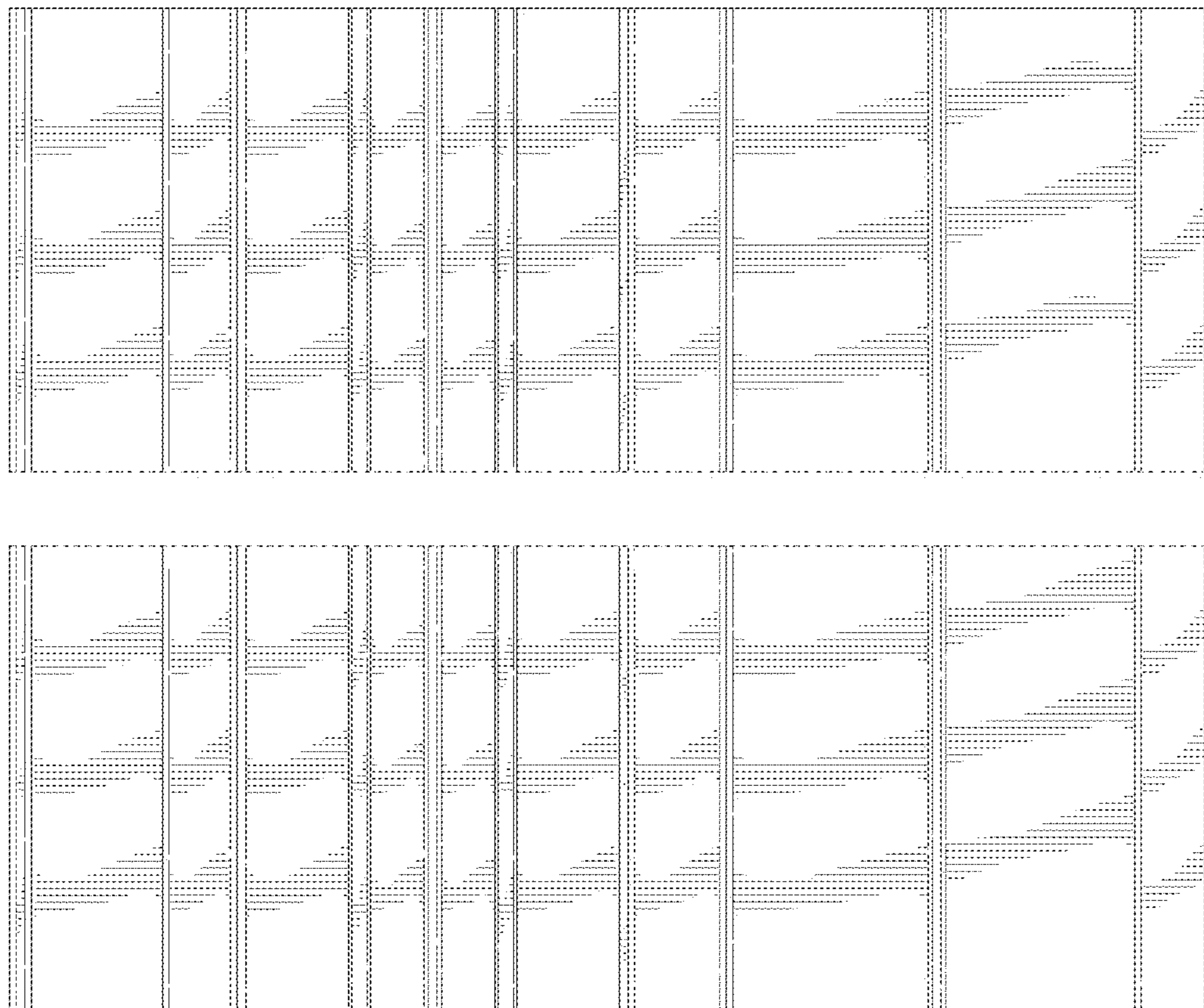


FIG. 7

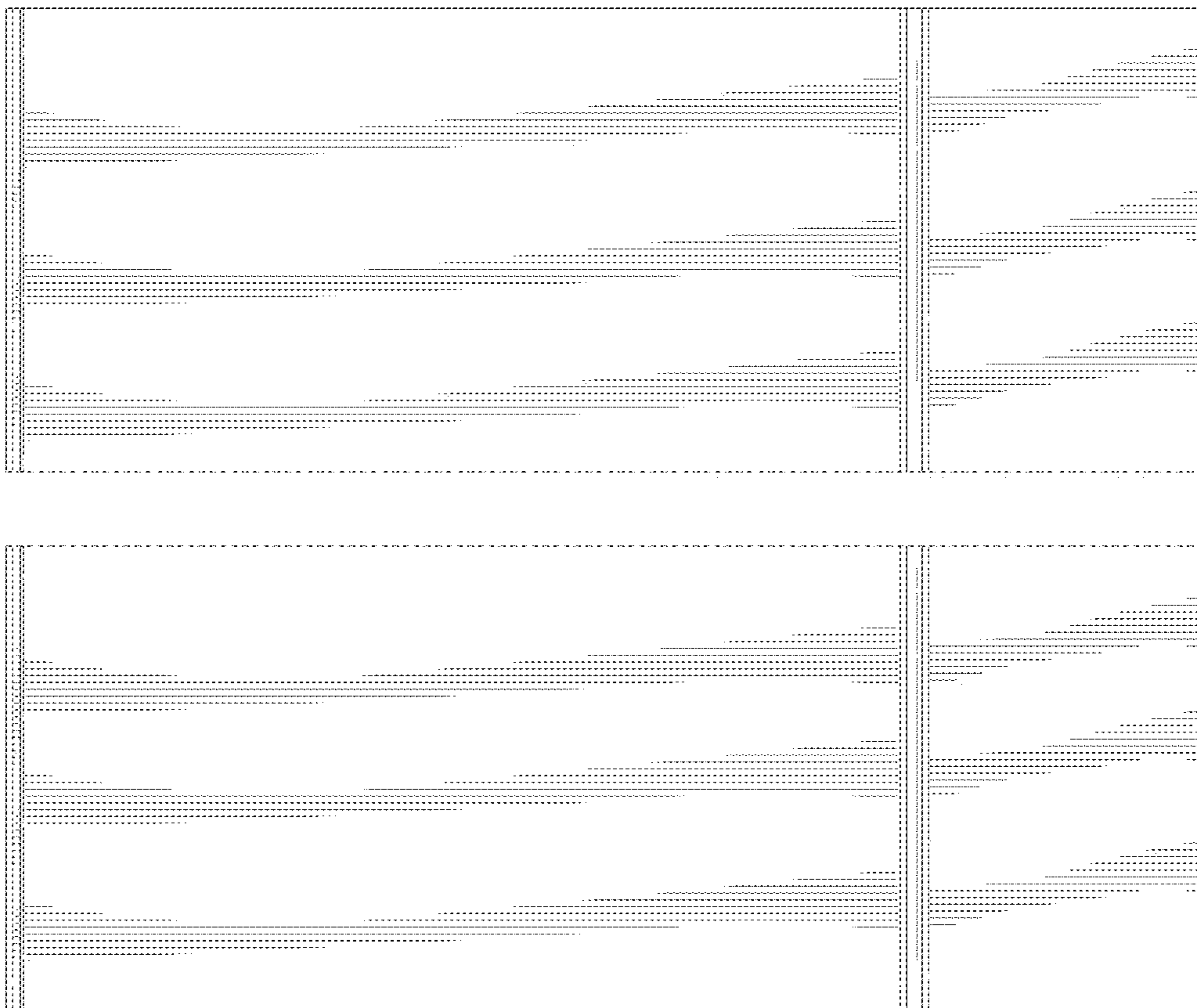


FIG. 8