



US00D917074S

(12) **United States Design Patent** (10) **Patent No.:** **US D917,074 S**
Nelson et al. (45) **Date of Patent:** **** Apr. 20, 2021**

(54) **WINDOW COMPONENT EXTRUSION**

(71) Applicant: **JELD-WEN, Inc.**, Charlotte, NC (US)

(72) Inventors: **Jacob Nelson**, Klamath Falls, OR (US);
Yoshua Gombo, Seattle, WA (US);
David Belau, Klamath Falls, OR (US);
Ryan Schroeder, Klamath Falls, OR (US);
Jerry Jones, Klamath Falls, OR (US)

(73) Assignee: **JELD-WEN, Inc.**, Charlotte, NC (US)

(**) Term: **15 Years**

(21) Appl. No.: **29/698,049**

(22) Filed: **Jul. 12, 2019**

(51) **LOC (13) Cl.** **25-01**

(52) **U.S. Cl.**
USPC **D25/124**

(58) **Field of Classification Search**
USPC D25/35, 102, 119–125, 164; D8/354,
D8/373, 374, 376, 377
CPC E06B 1/02; E06B 1/04; E06B 1/12; E06B
1/14; E06B 1/16; E06B 1/26; E06B 1/28;
E06B 1/36; E06B 1/363; E06B 1/366;
E06B 1/38; E06B 1/40; E06B 1/52; E06B
1/524; E06B 1/56; E06B 1/62; E06B
1/68; E06B 3/04; E06B 3/06; E06B 3/24;
E06B 3/26; E06B 3/30; E06B 3/301;
E06B 3/306; E06B 3/308
See application file for complete search history.

(56) **References Cited**

U.S. PATENT DOCUMENTS

D335,358 S * 5/1993 Cole D25/124
D366,331 S * 1/1996 Goss, Jr. D25/124

D372,541 S * 8/1996 Goss, Jr. D25/124
D377,101 S * 12/1996 Goss, Jr. D25/124
D402,060 S * 12/1998 Leonelli D25/124
D732,704 S * 6/2015 Decicio D25/124
D820,474 S * 6/2018 Kosonen D25/119
D852,985 S * 7/2019 Kosonen D25/124
2011/0120034 A1 * 5/2011 Melkonian E06B 3/24
52/204.5
2020/0082240 A1 * 3/2020 Heitmar E06B 1/30

* cited by examiner

Primary Examiner — Llorellys Martinez

(74) *Attorney, Agent, or Firm* — Stoel Rives LLP

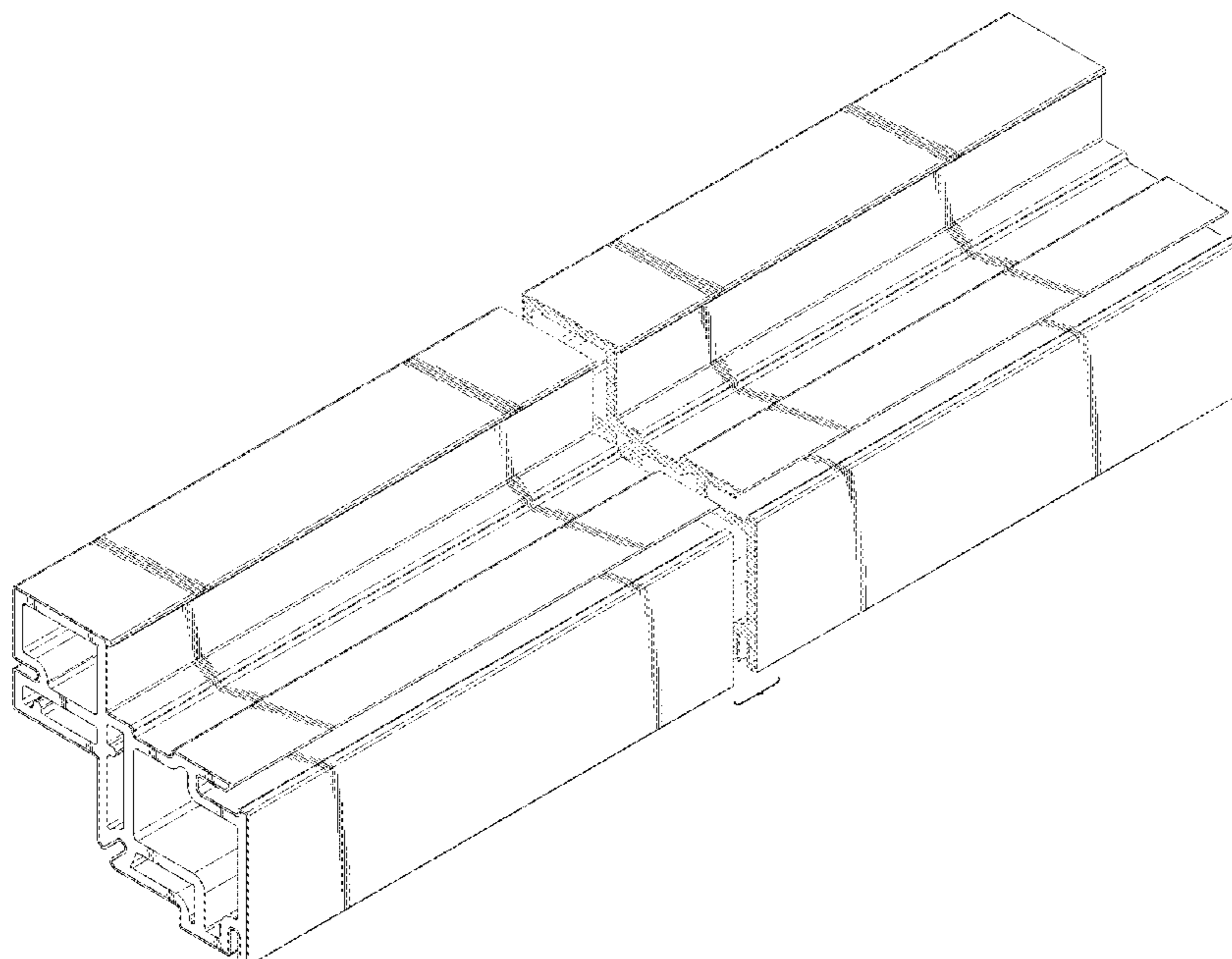
(57) **CLAIM**

The ornamental design for a window component extrusion, as shown and described.

DESCRIPTION

FIG. 1 is a front perspective view of a window component extrusion showing our new design.
FIG. 2 is a rear perspective view thereof.
FIG. 3 is a front elevation view thereof.
FIG. 4 is a rear elevation view thereof.
FIG. 5 is a left side elevation view thereof.
FIG. 6 is a right side elevation view thereof.
FIG. 7 is a top plan view thereof; and,
FIG. 8 is a bottom plan view thereof.
In FIGS. 1-4, 7, and 8, the window component extrusion is shown with a symbolic break in its length. the appearance of any portion of the window component extrusion between the break lines forms no part of the claimed design.

1 Claim, 4 Drawing Sheets



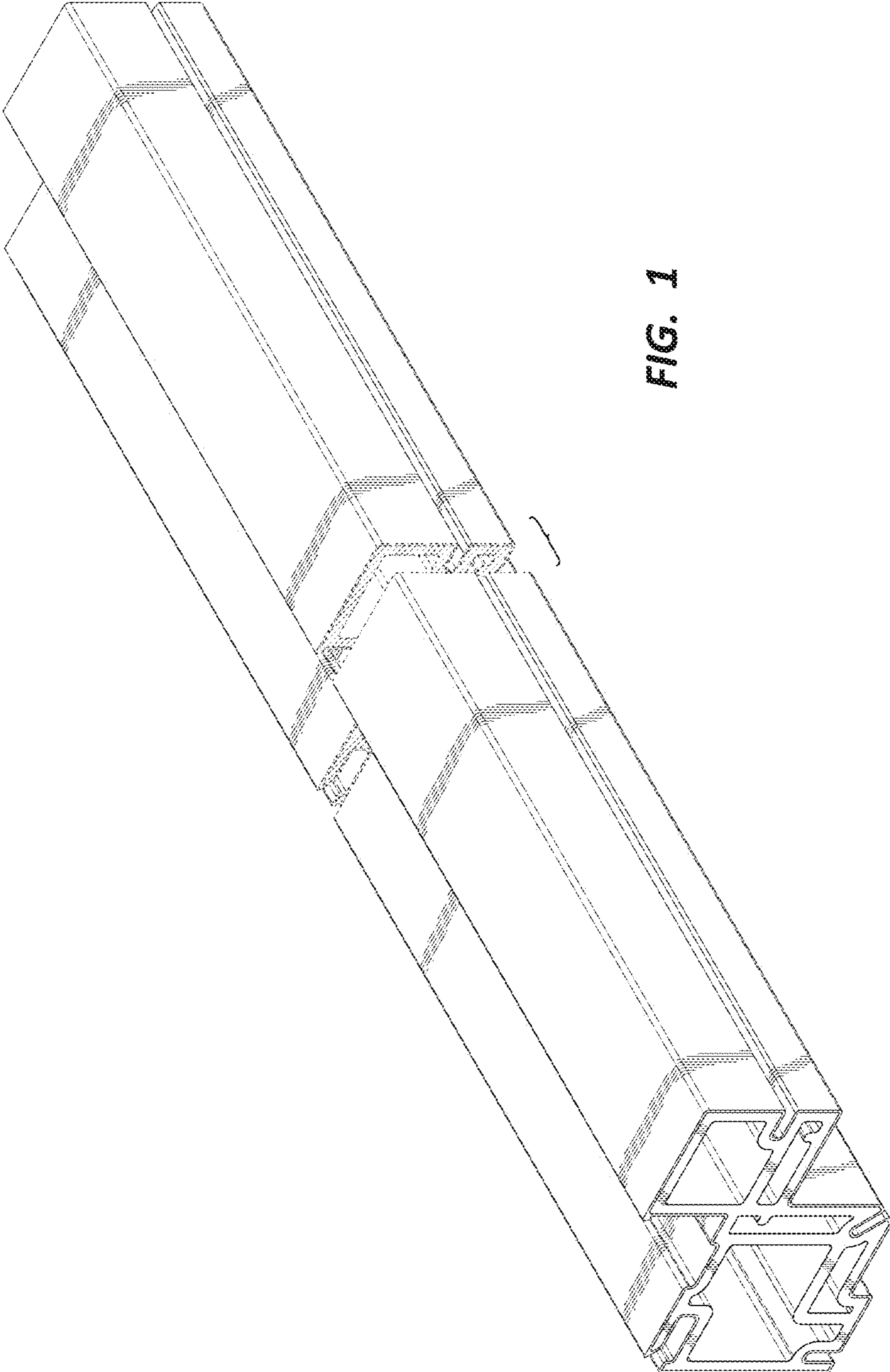


FIG. 1

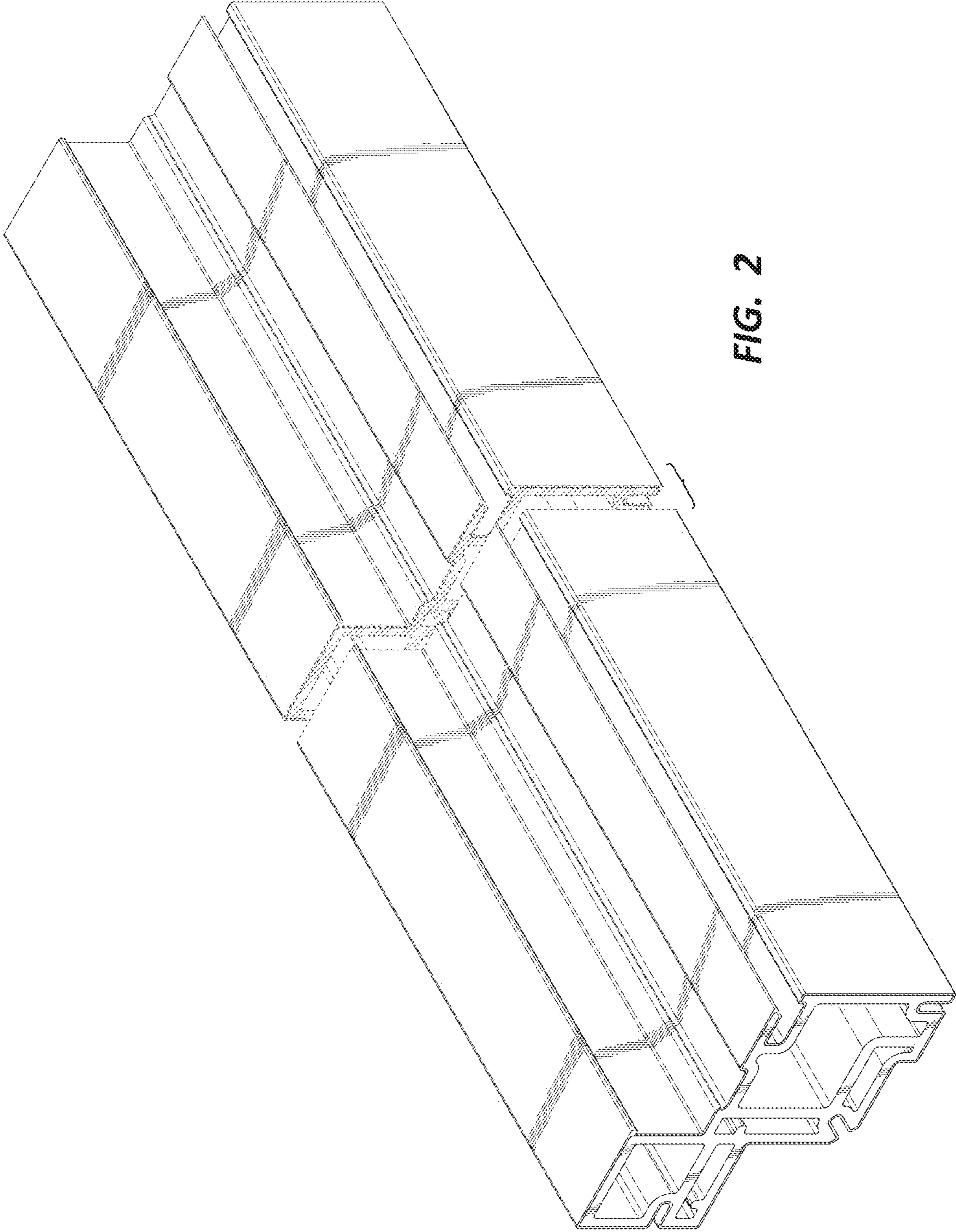


FIG. 2

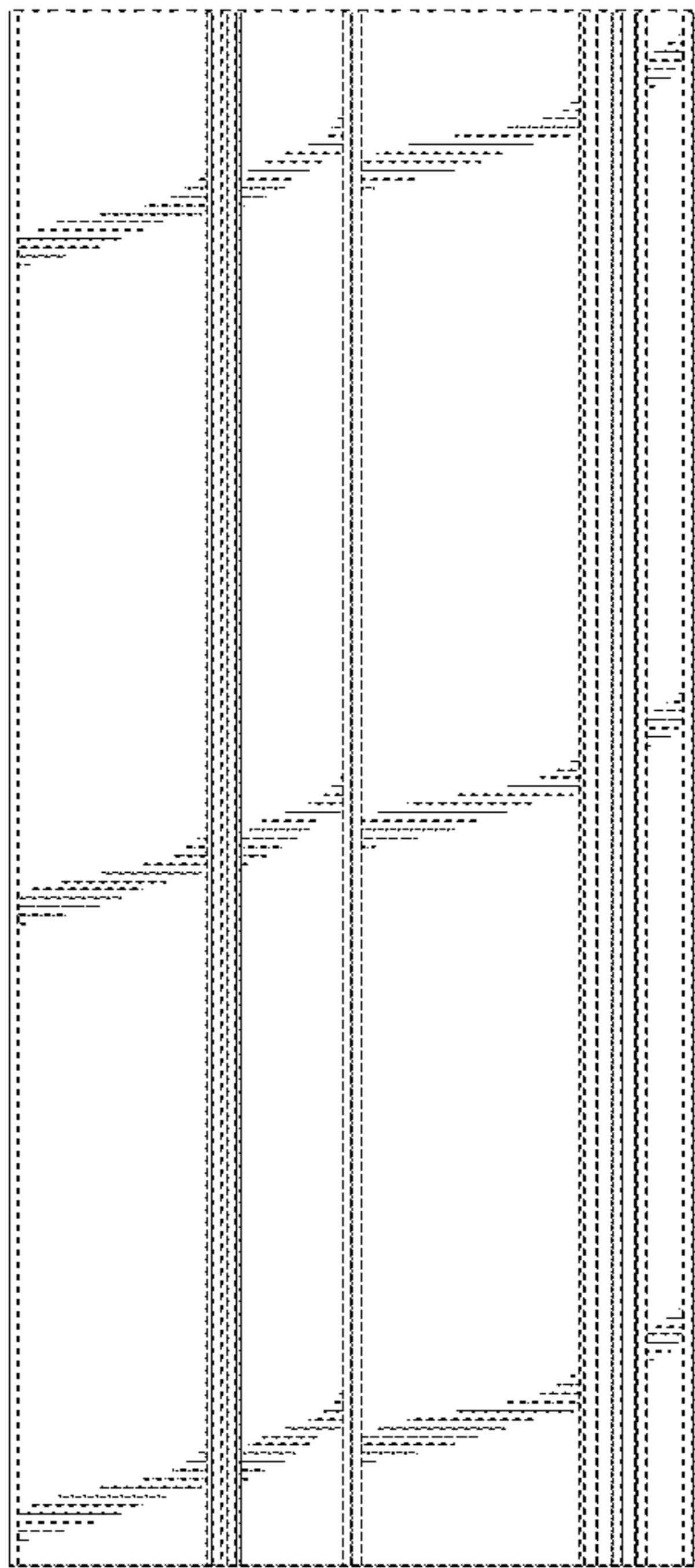
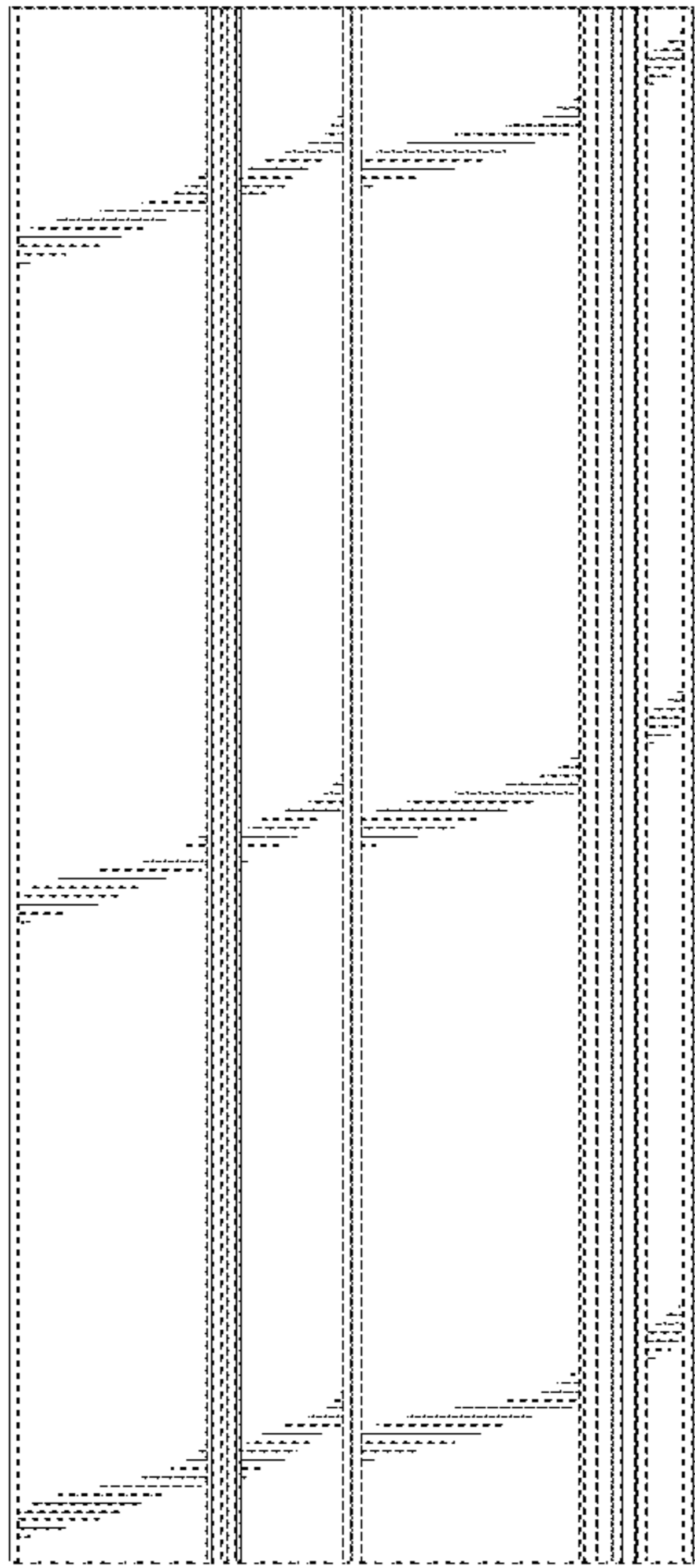


FIG. 3

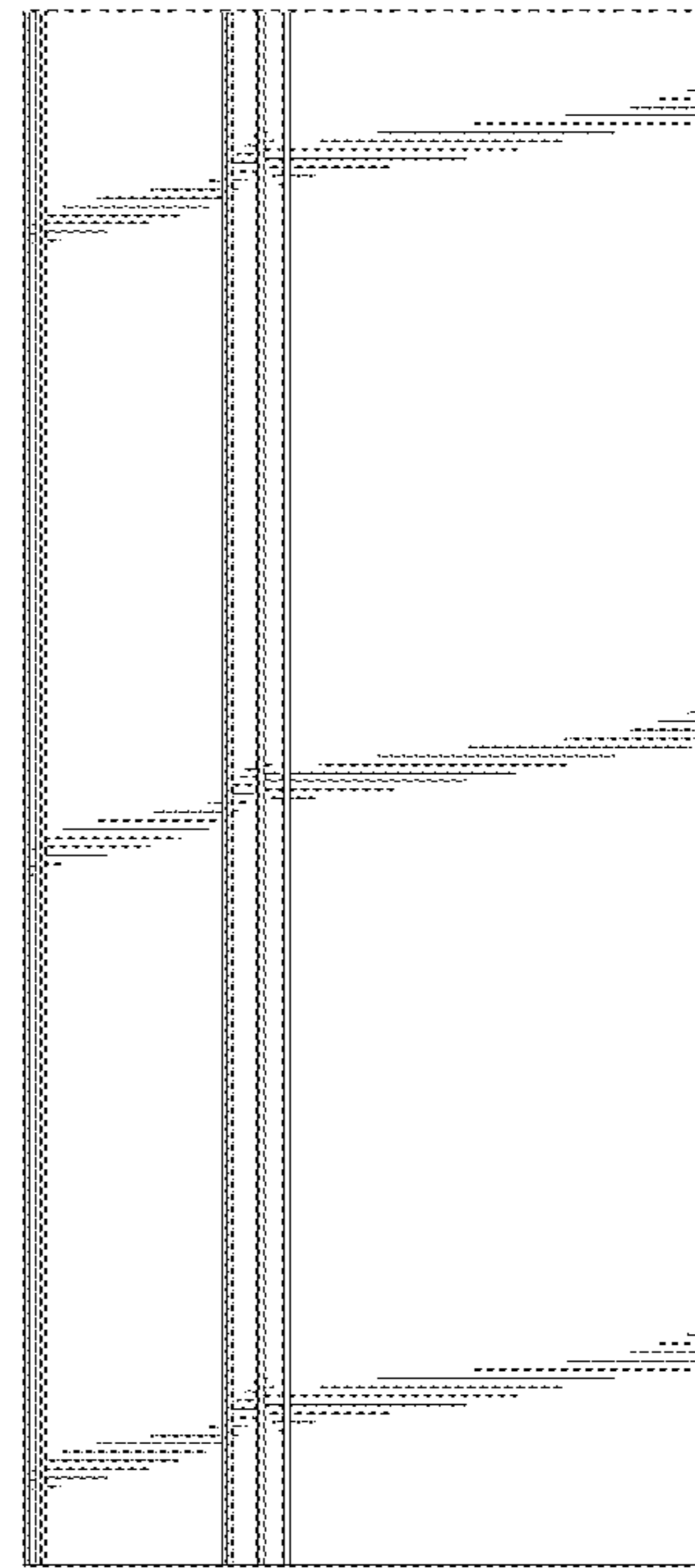
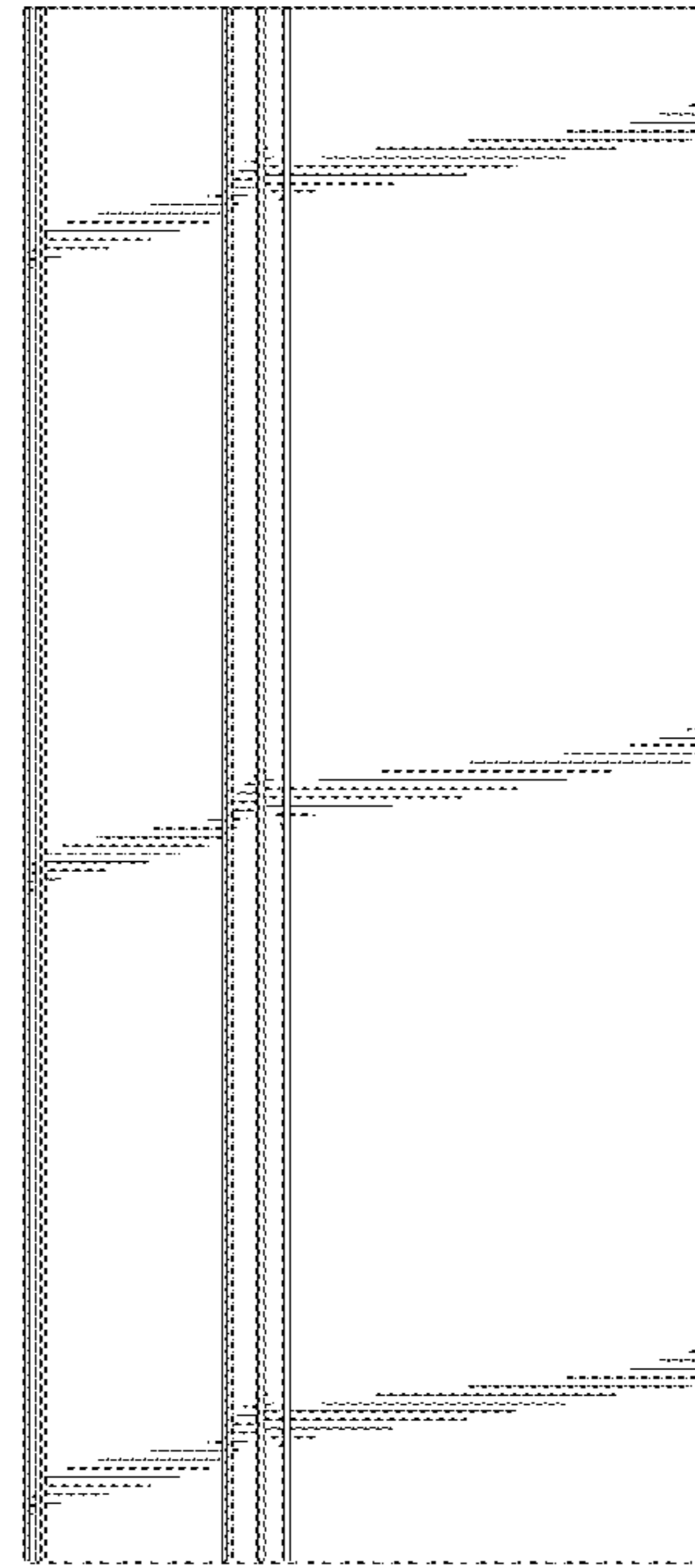


FIG. 4

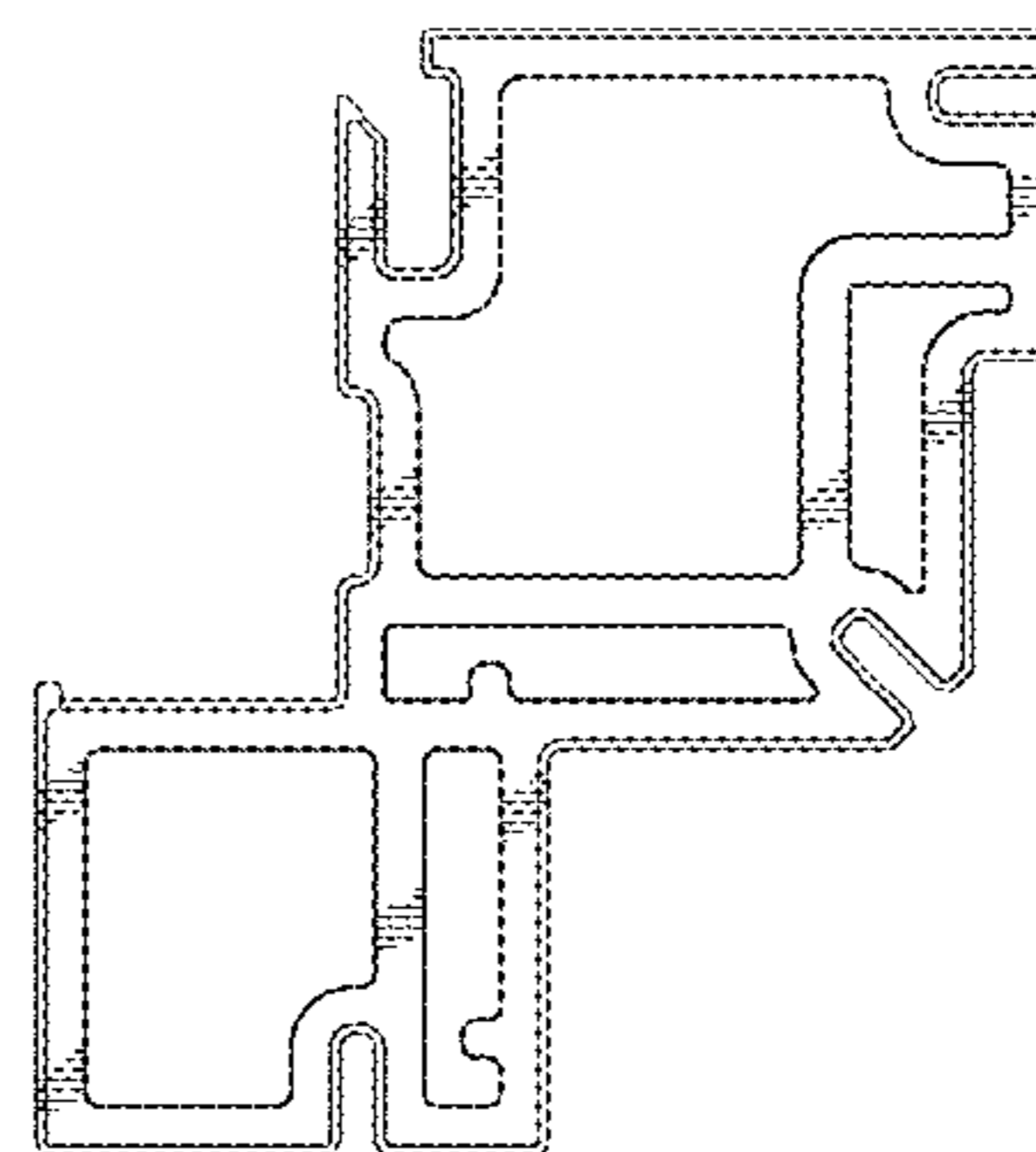
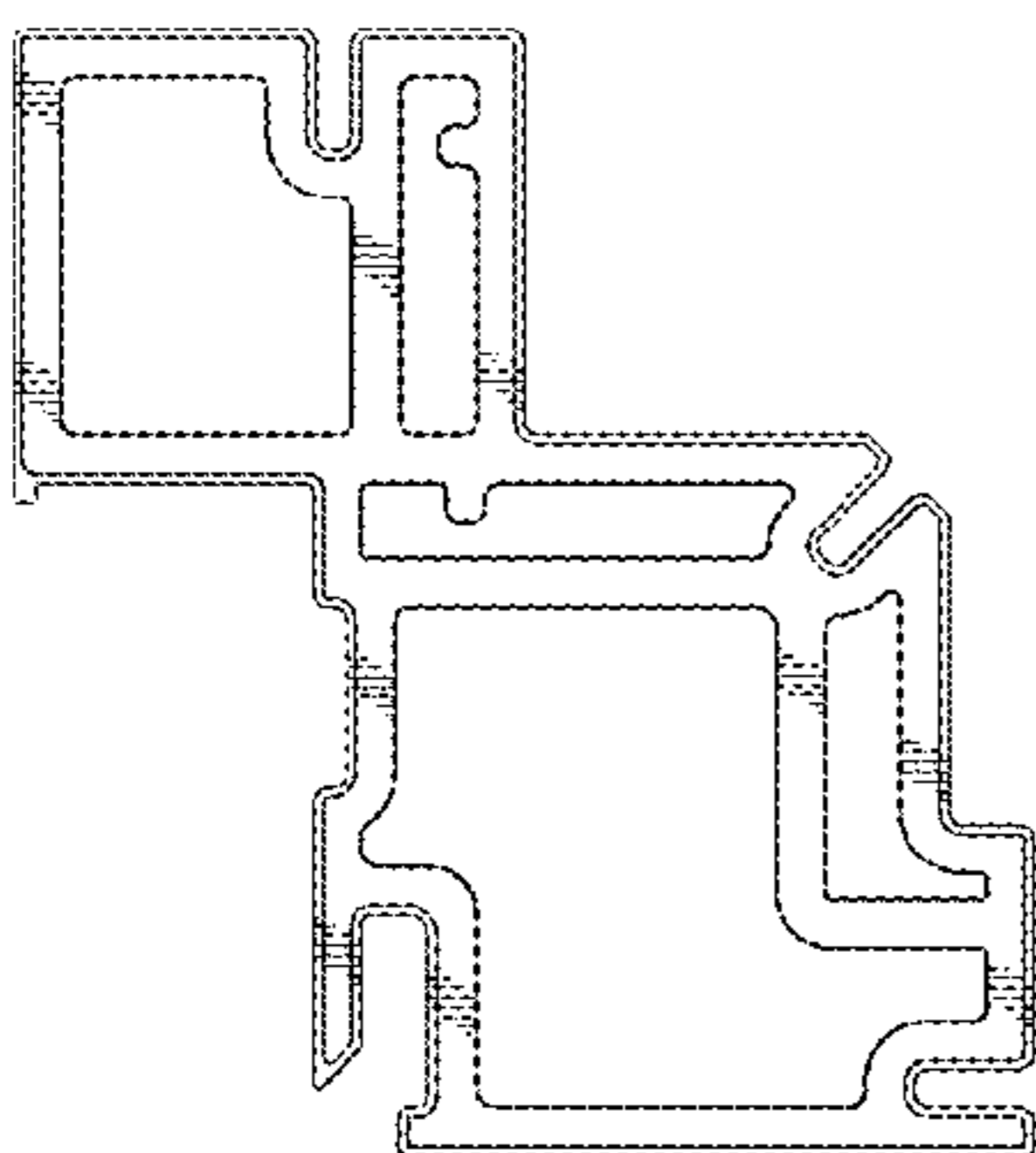


FIG. 5

FIG. 6

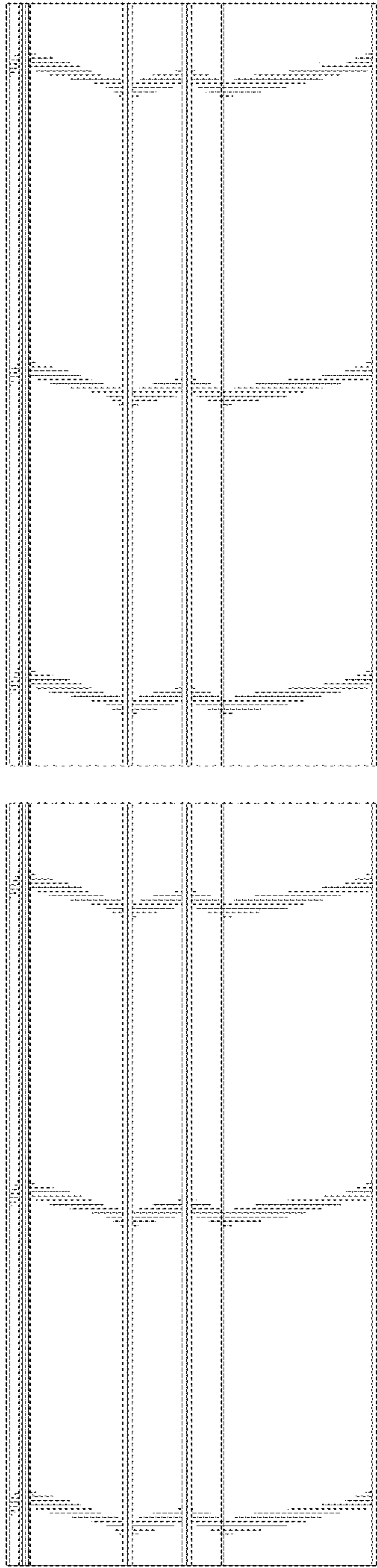


FIG. 7

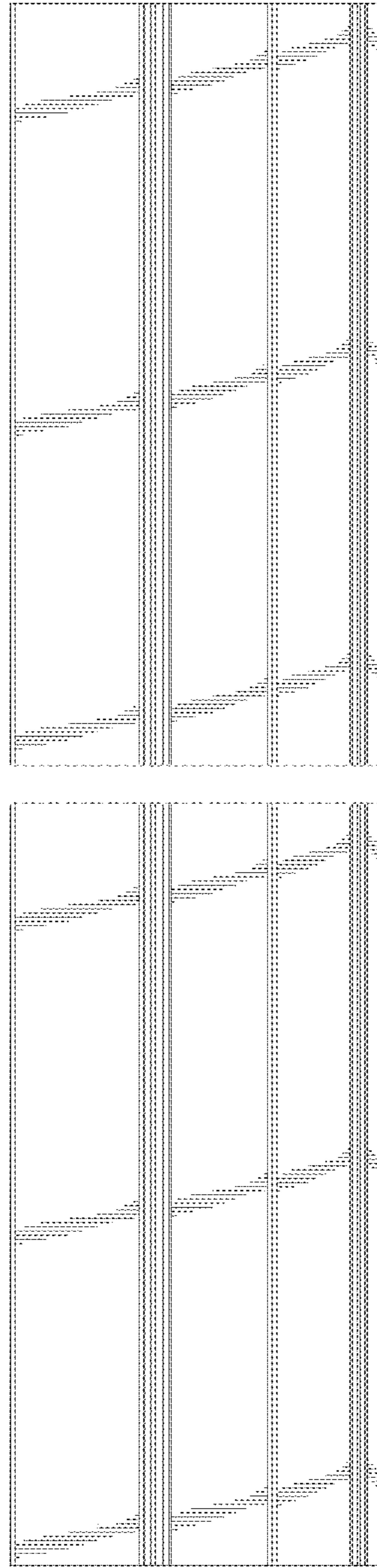


FIG. 8