



US00D917073S

(12) **United States Design Patent**
Melton et al.

(10) **Patent No.:** **US D917,073 S**
(45) **Date of Patent:** **** Apr. 20, 2021**

(54) **BRACKET COVER**

(71) Applicants: **Michael T. Melton**, Glen Ellyn, IL (US); **Thomas Murray**, Philadelphia, PA (US); **Thomas J. Dooley**, Media, PA (US); **Daniel Massam**, Langhorne, PA (US); **Ryan W. Duever**, Sycamore, IL (US)

(72) Inventors: **Michael T. Melton**, Glen Ellyn, IL (US); **Thomas Murray**, Philadelphia, PA (US); **Thomas J. Dooley**, Media, PA (US); **Daniel Massam**, Langhorne, PA (US); **Ryan W. Duever**, Sycamore, IL (US)

(73) Assignee: **Werner Co.**, Greenville, PA (US)

(**) Term: **15 Years**

(21) Appl. No.: **29/691,163**

(22) Filed: **May 14, 2019**

(51) **LOC (13) Cl.** **25-04**

(52) **U.S. Cl.**
USPC **D25/68**

(58) **Field of Classification Search**
USPC D25/62-65, 68, 69; 182/21, 108, 110, 182/204, 109, 107, 134, 221; 248/210, 248/226.11, 229.11, 37.6
CPC . E06C 7/44; E06C 7/488; E06C 7/143; E06C 1/36; E06C 7/50; E06C 7/46; E06C 5/32
See application file for complete search history.

(56) **References Cited**

U.S. PATENT DOCUMENTS

1,536,434 A * 5/1925 Hearn E06C 7/46
182/111
4,412,599 A * 11/1983 McCrudden E06C 1/345
182/201

4,964,601 A * 10/1990 Dishman E06C 7/14
182/129
6,745,870 B2 * 6/2004 Smith E06C 7/44
182/201
D506,270 S * 6/2005 Rieger D25/68
8,807,277 B1 * 8/2014 Reyna Lerma E06C 7/42
182/108

* cited by examiner

Primary Examiner — Gino Colan

(74) *Attorney, Agent, or Firm* — Ansel M. Schwartz

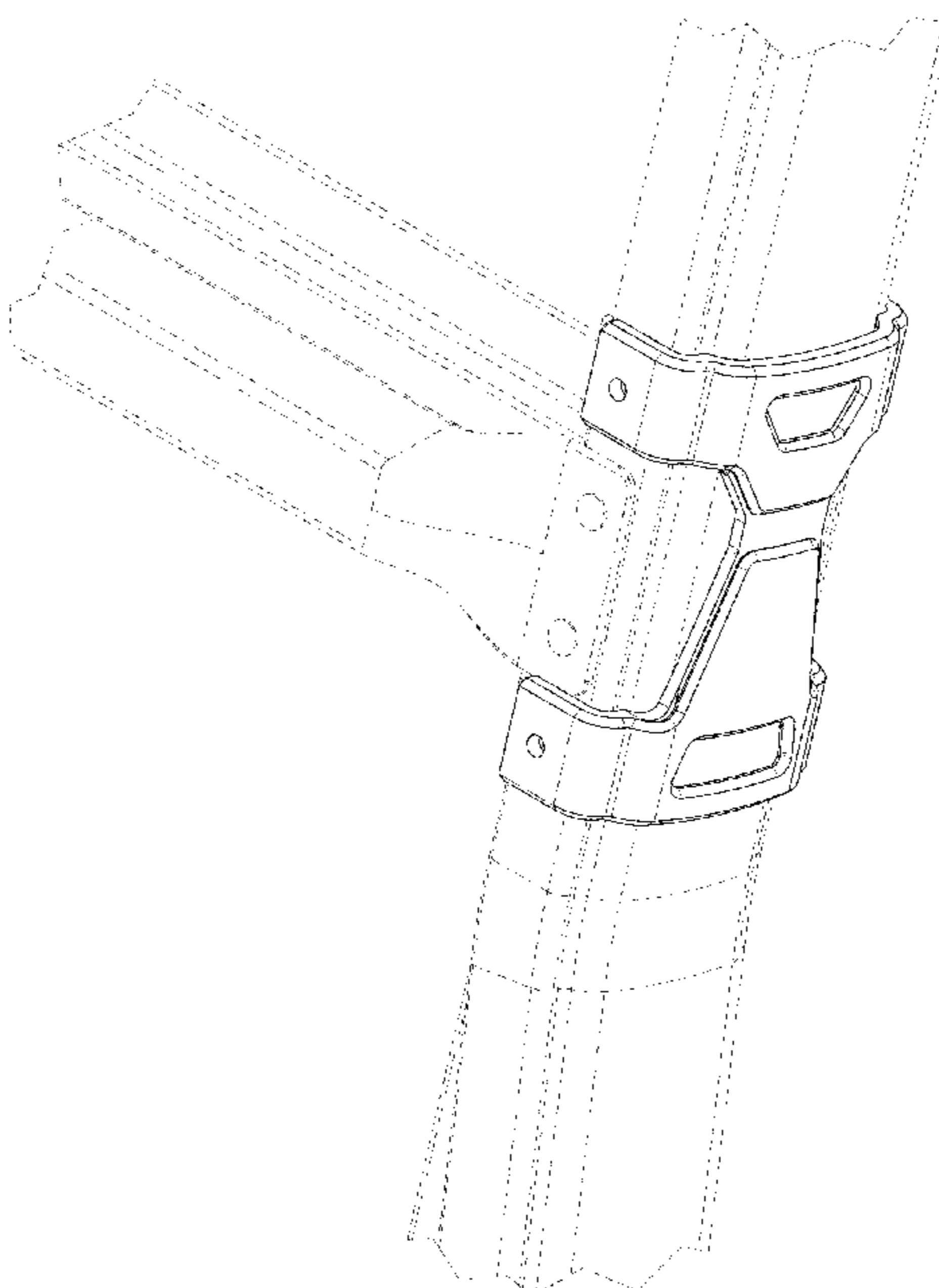
(57) **CLAIM**

The ornamental design for a bracket cover, as shown and described.

DESCRIPTION

FIG. 1 is a front perspective view of a bracket cover showing our new design as coupled to a ladder; the broken lines showing a ladder is for illustrative purposes only and form no part of the claimed design;
FIG. 2 is a top elevational view thereof;
FIG. 3 is a back side devotional view thereof;
FIG. 4 is a bottom elevational view thereof;
FIG. 5 is a front side elevational view thereof;
FIG. 6 is a left elevational view thereof;
FIG. 7 is a right elevational view thereof; and,
FIG. 8 is a perspective view thereof.
The broken lines showing a portion of a ladder in FIG. 1 are for the purpose of illustrating environment and form no part of the claimed design.

1 Claim, 5 Drawing Sheets



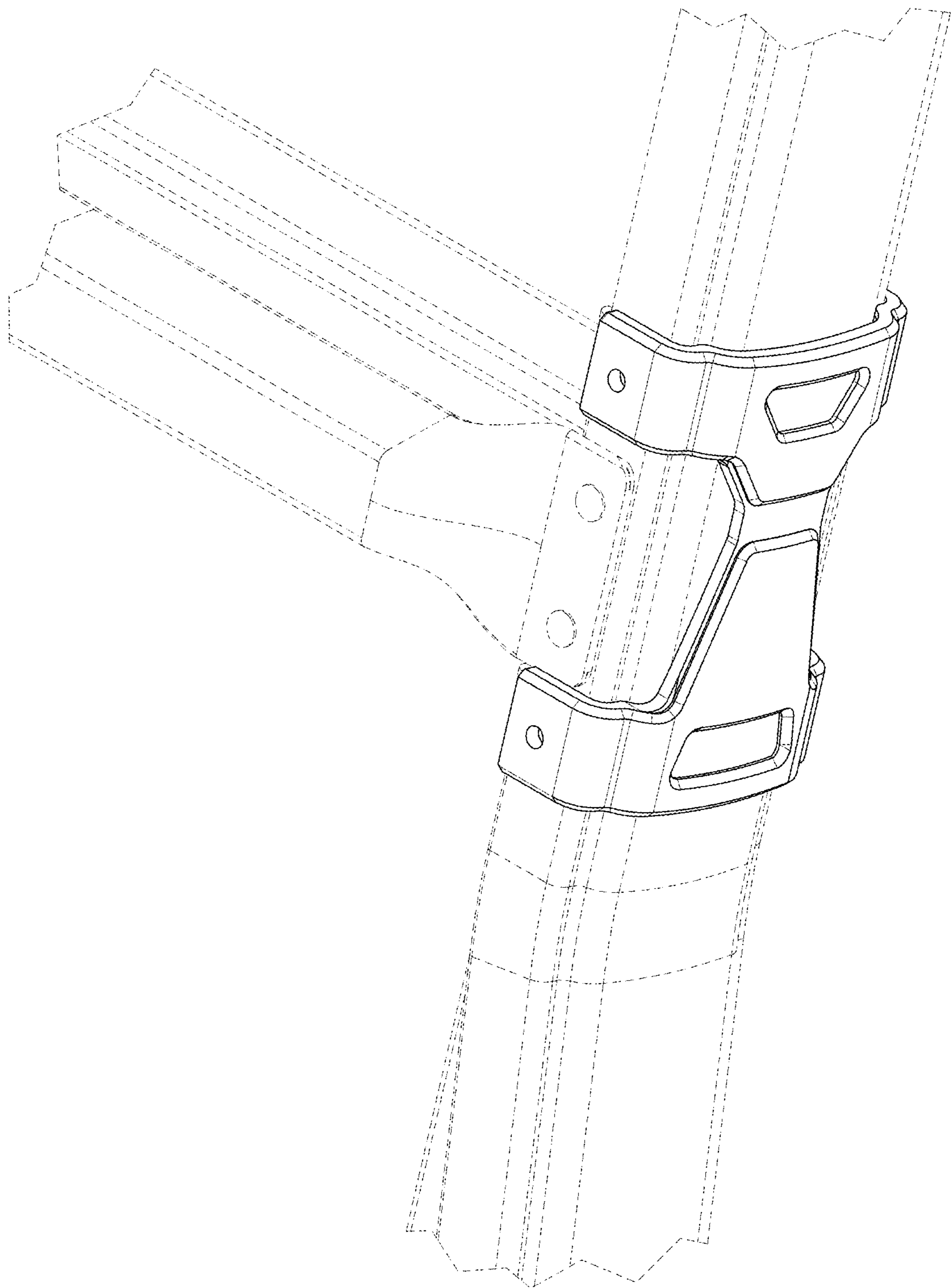


FIG.1

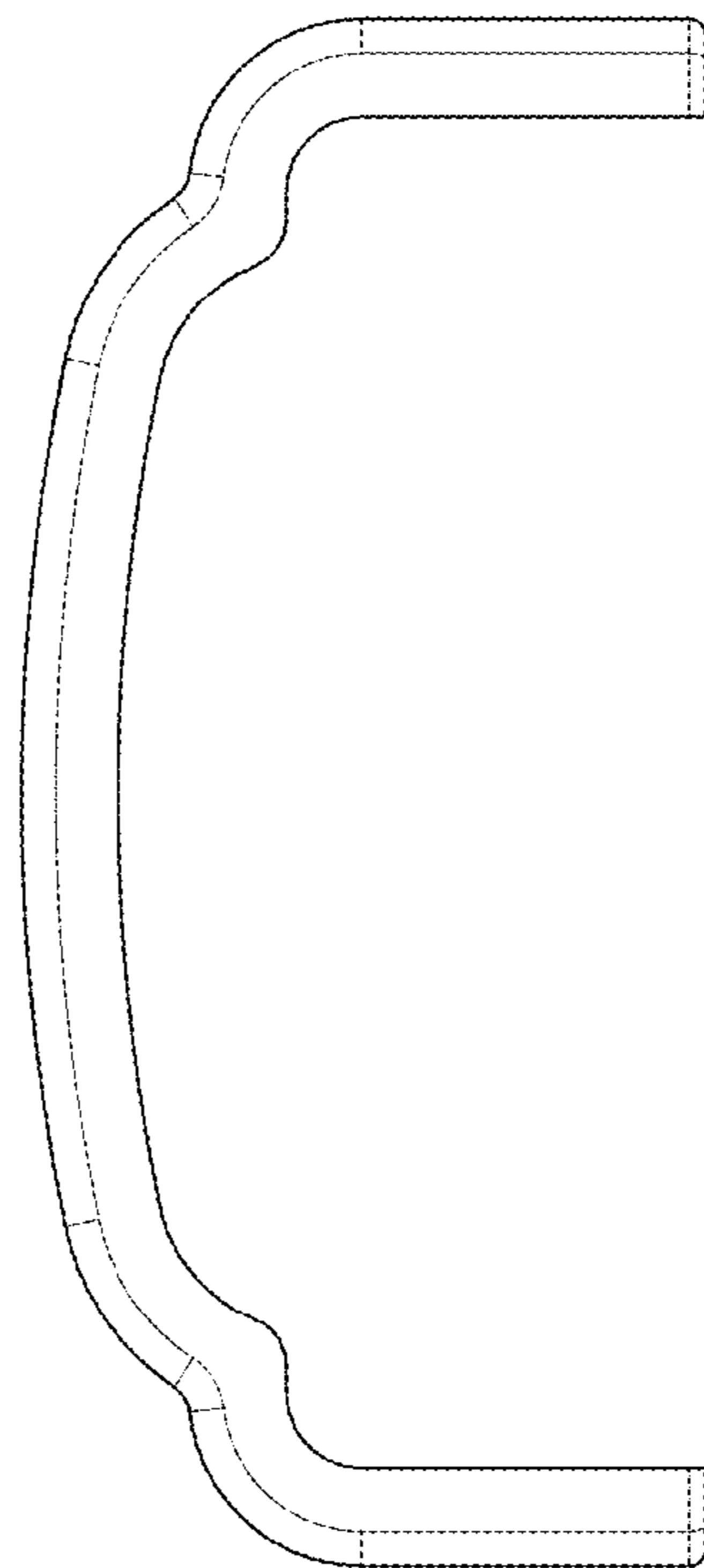


FIG. 2

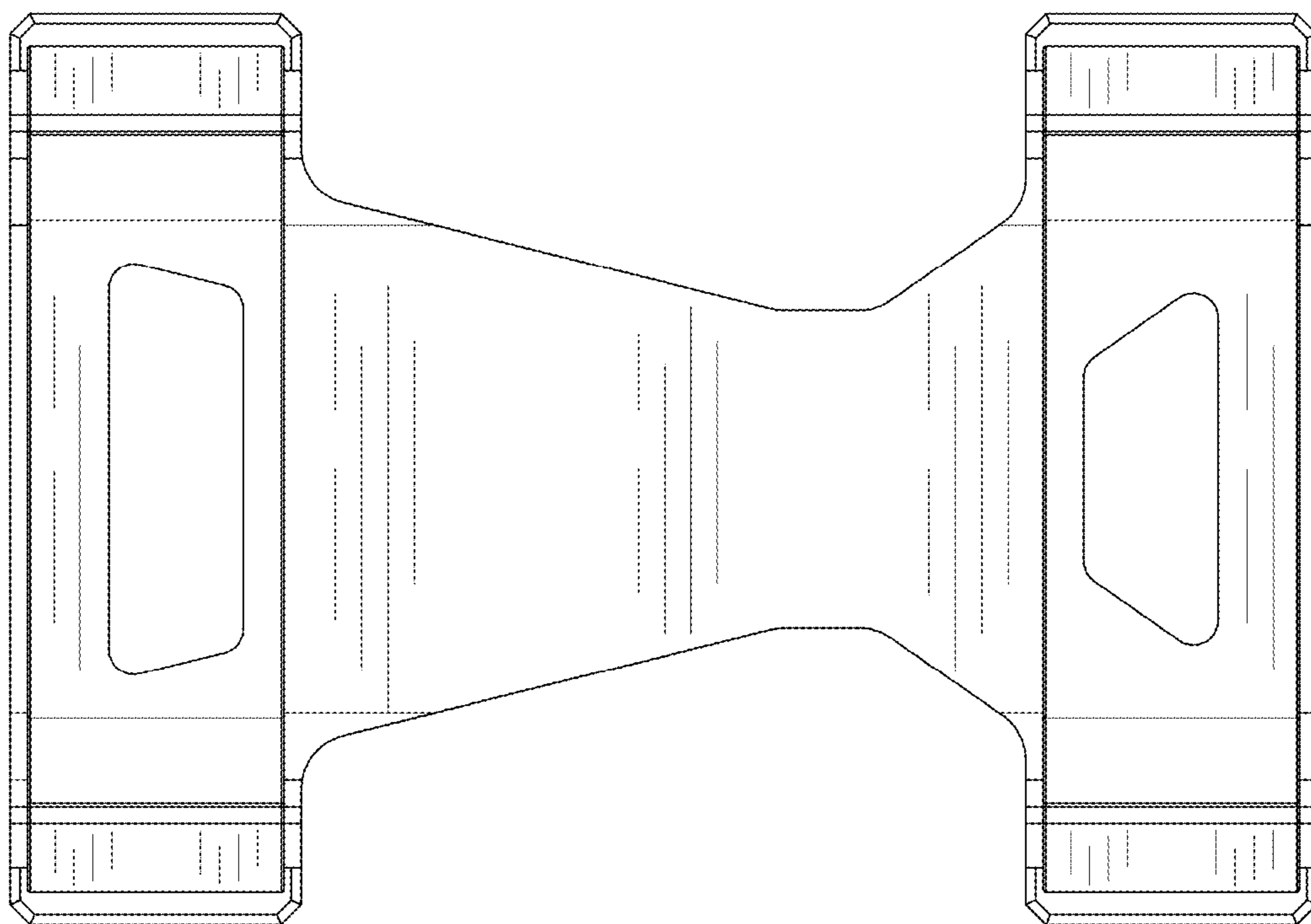


FIG. 3

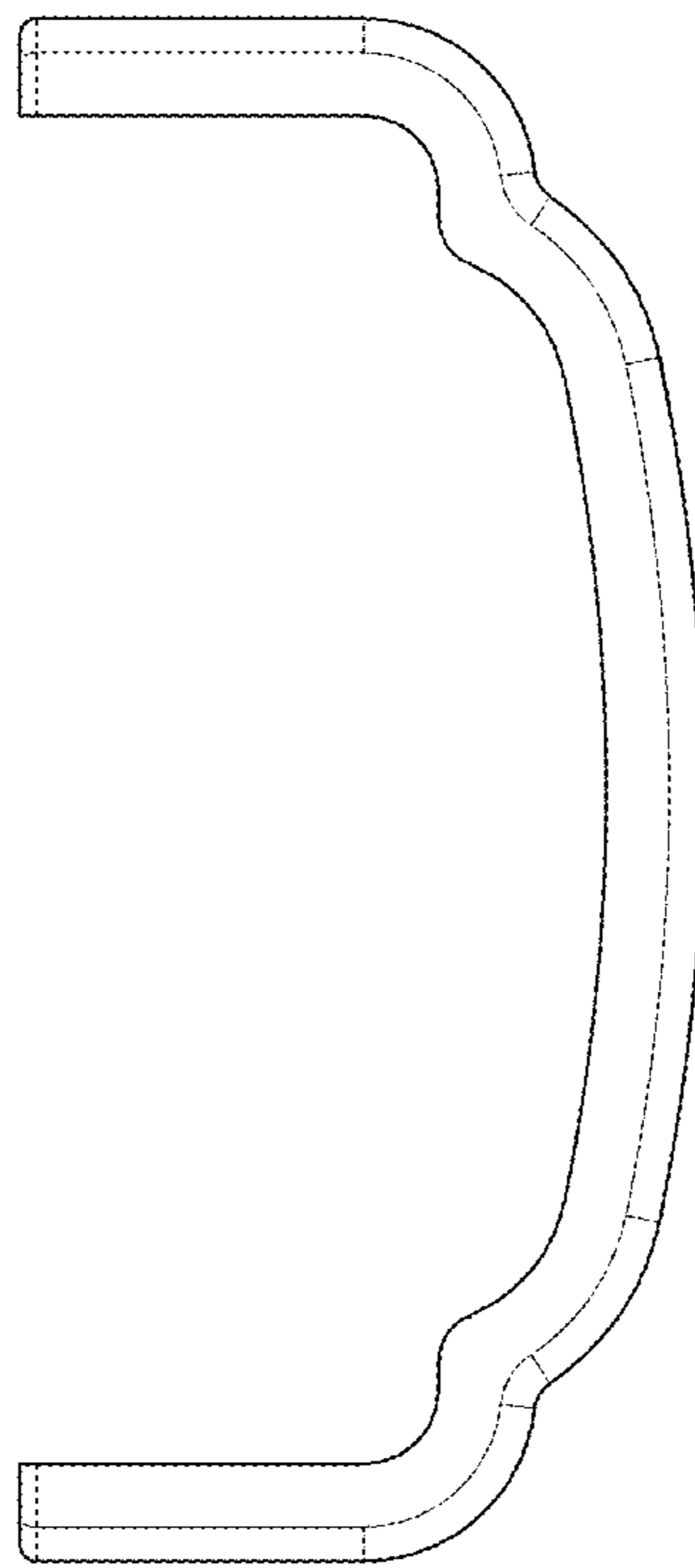


FIG. 4

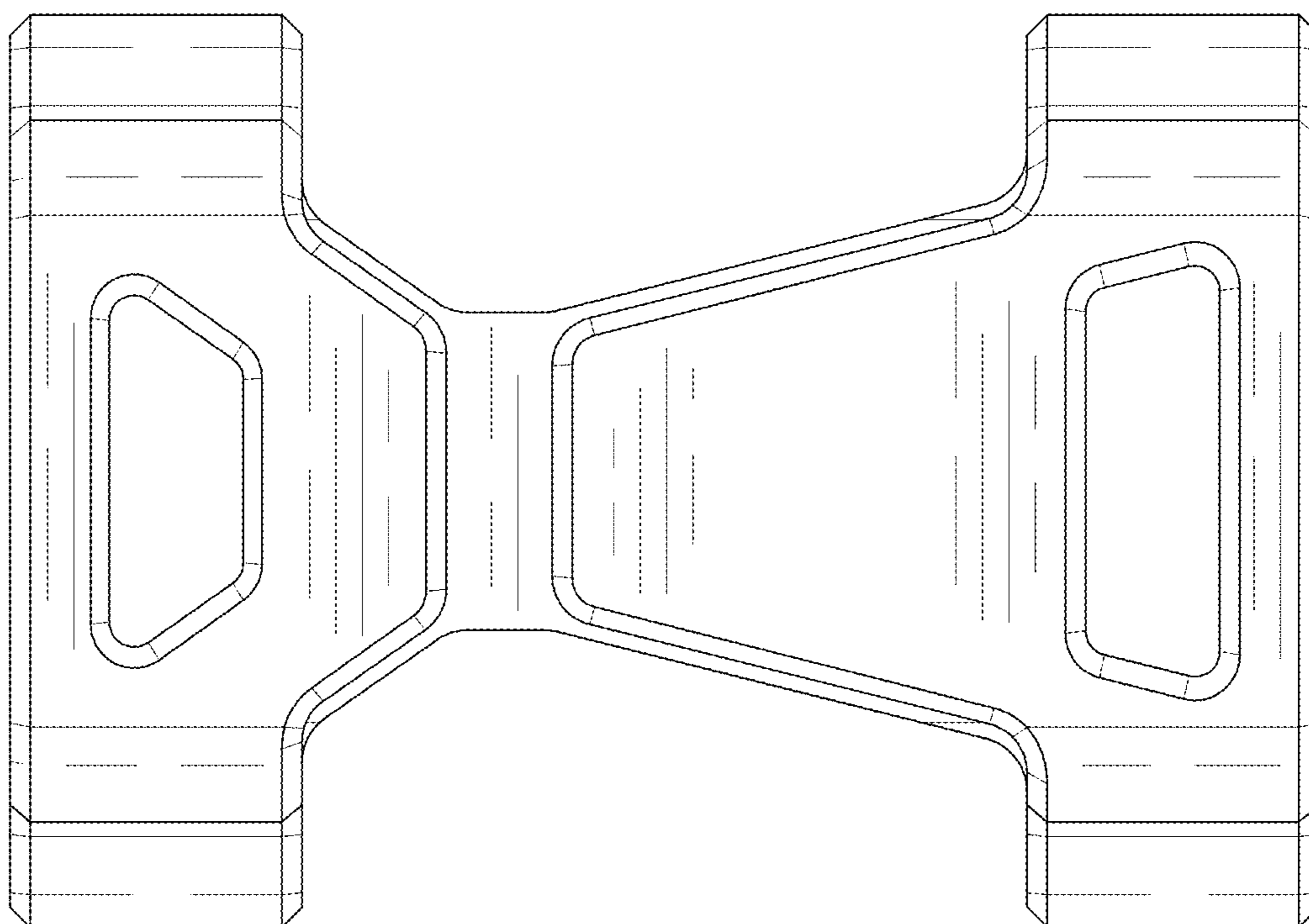


FIG. 5

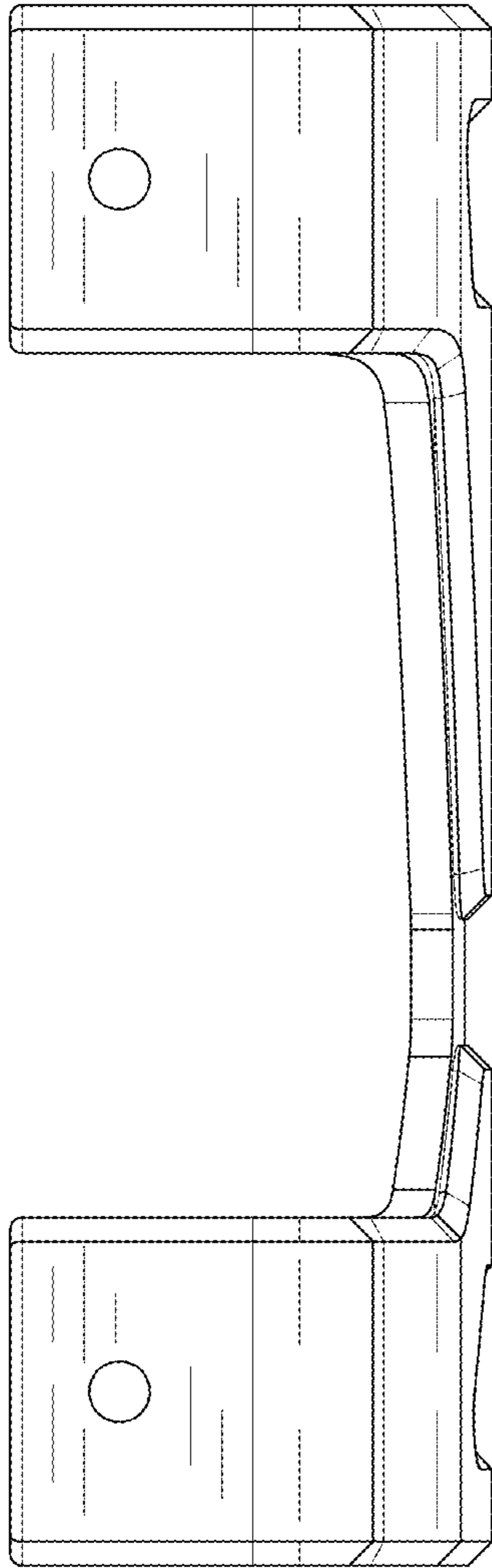


FIG. 6

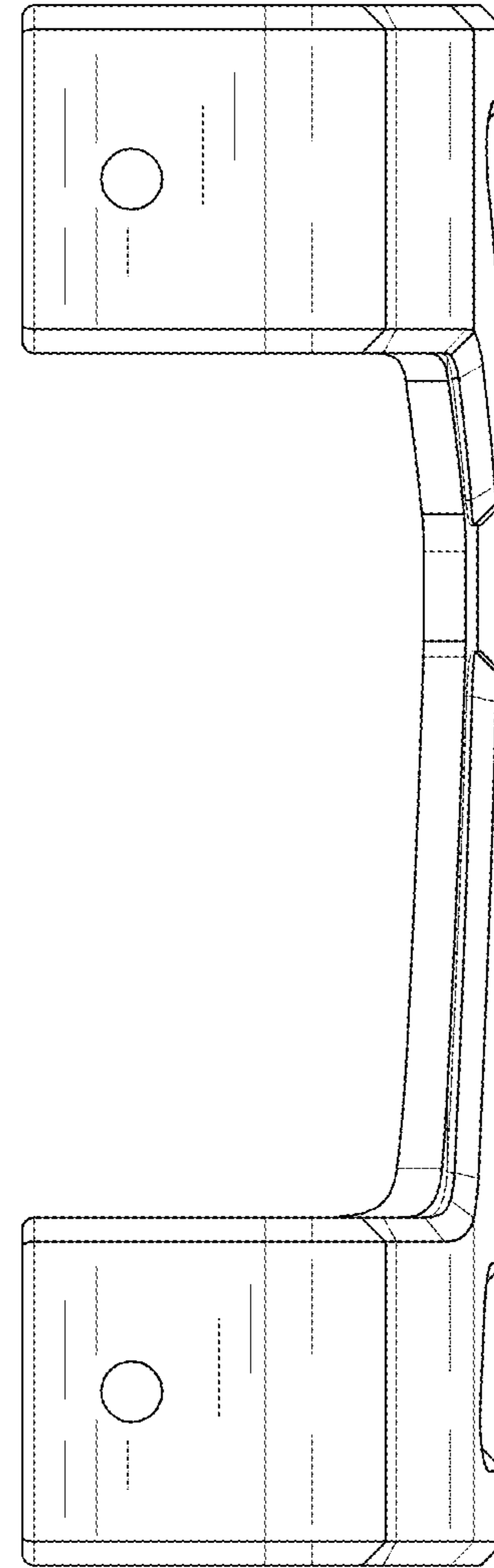


FIG. 7

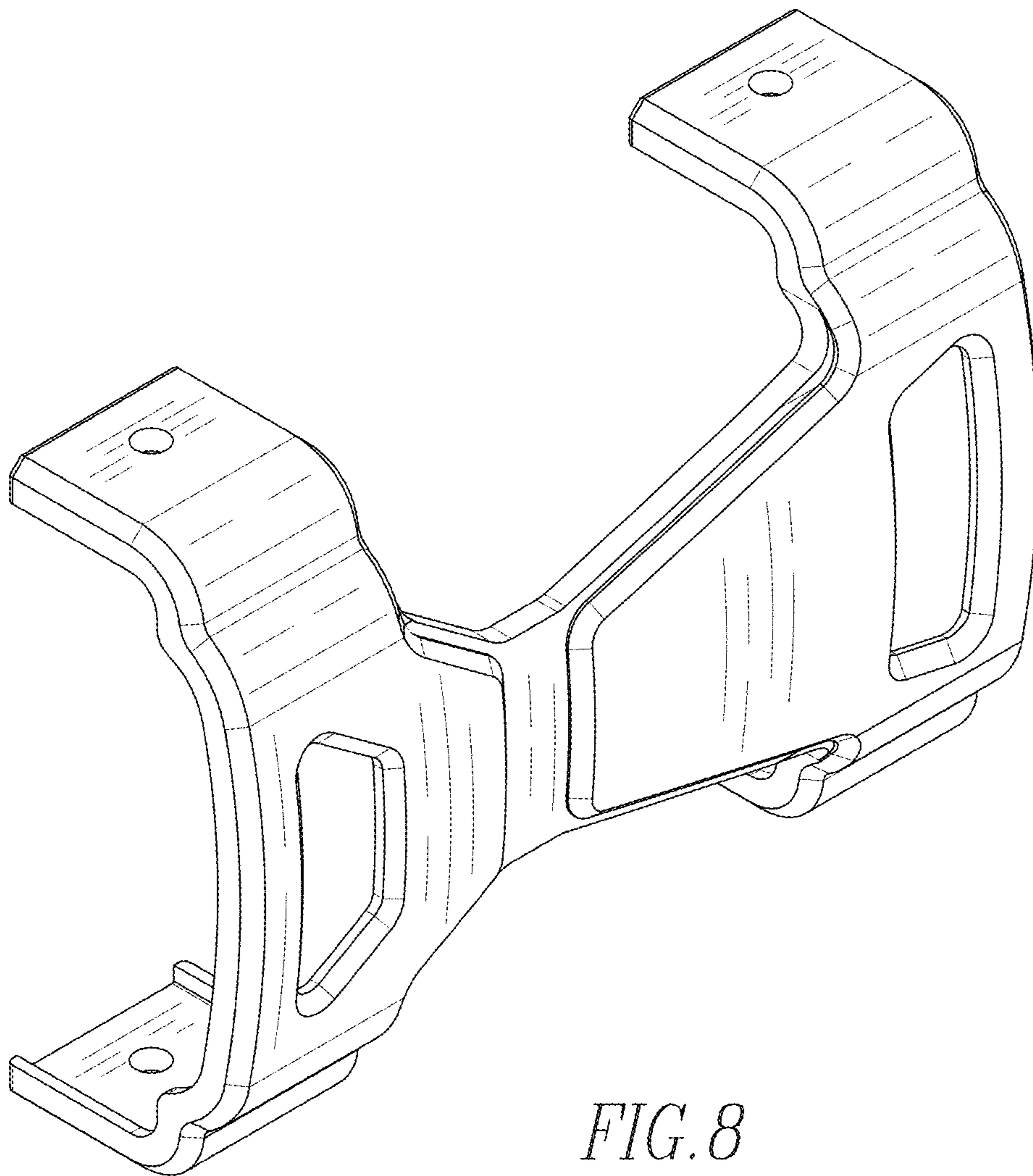


FIG. 8