



US00D917072S

(12) **United States Design Patent** (10) **Patent No.:** **US D917,072 S**  
**Sailors** (45) **Date of Patent:** **\*\* Apr. 20, 2021**

(54) **THERMAL SEPARATOR** 9,010,056 B2 \* 4/2015 Ben David ..... E04D 3/28  
52/466  
(71) Applicant: **Building Products Development LLC,** 9,121,176 B2 9/2015 Rites  
Logansport, IN (US) 9,228,354 B2 1/2016 McClure  
9,273,480 B2 \* 3/2016 Larochelle ..... E04G 23/0277  
(72) Inventor: **Duane Sailors,** Logansport, IN (US) 9,725,903 B2 \* 8/2017 Hostetler ..... E04D 3/3602  
9,926,699 B2 \* 3/2018 Ben David ..... E04B 1/68  
10,385,571 B2 \* 8/2019 Babcock ..... E04D 3/362  
(73) Assignee: **Building Products Development LLC,** D864,114 S \* 10/2019 Greenberg ..... D13/120  
Logansport, IN (US) D873,440 S \* 1/2020 Kendall ..... D25/48.2  
10,626,597 B2 \* 4/2020 Strickland ..... E04B 1/6812  
10,626,662 B2 \* 4/2020 Philips ..... E06B 3/5828  
10,815,657 B2 \* 10/2020 Hortom ..... E04B 1/61  
(\*\*) Term: **15 Years** 2005/0011154 A1 1/2005 Kim

(21) Appl. No.: **29/683,371**

(22) Filed: **Mar. 12, 2019**

(51) **LOC (13) Cl.** ..... **25-02**

(52) **U.S. Cl.**  
USPC ..... **D25/55**

(58) **Field of Classification Search**  
USPC ..... D25/55, 48.2  
CPC ... E04B 1/6815; E04B 1/6807; E04D 13/165;  
E04D 3/3608; E04D 3/3601; E04D  
2003/3612; E04D 2003/3615; E06B 3/30;  
E06B 1/34  
See application file for complete search history.

(56) **References Cited**

U.S. PATENT DOCUMENTS

4,110,948 A 9/1978 Maier, Jr.  
4,383,423 A \* 5/1983 Lenglet ..... F25B 9/065  
137/625.11  
5,181,360 A 1/1993 Shingler  
7,712,273 B2 5/2010 Panasik et al.  
8,109,051 B2 \* 2/2012 Showers ..... E06B 3/6715  
52/204.53  
8,122,667 B2 2/2012 Ferge et al.  
D689,200 S \* 9/2013 Elizarraras ..... D25/55  
8,621,805 B2 1/2014 McClure  
8,627,628 B2 1/2014 McClure  
D701,323 S \* 3/2014 Fortun ..... E06B 1/70  
D25/48.2  
8,826,616 B1 \* 9/2014 Gosselin ..... E06B 3/9616  
52/309.3

FOREIGN PATENT DOCUMENTS

ES 1065135 6/2007  
ES 1065136 6/2007

\* cited by examiner

*Primary Examiner* — Doris Clark  
(74) *Attorney, Agent, or Firm* — Sheridan Ross P.C.

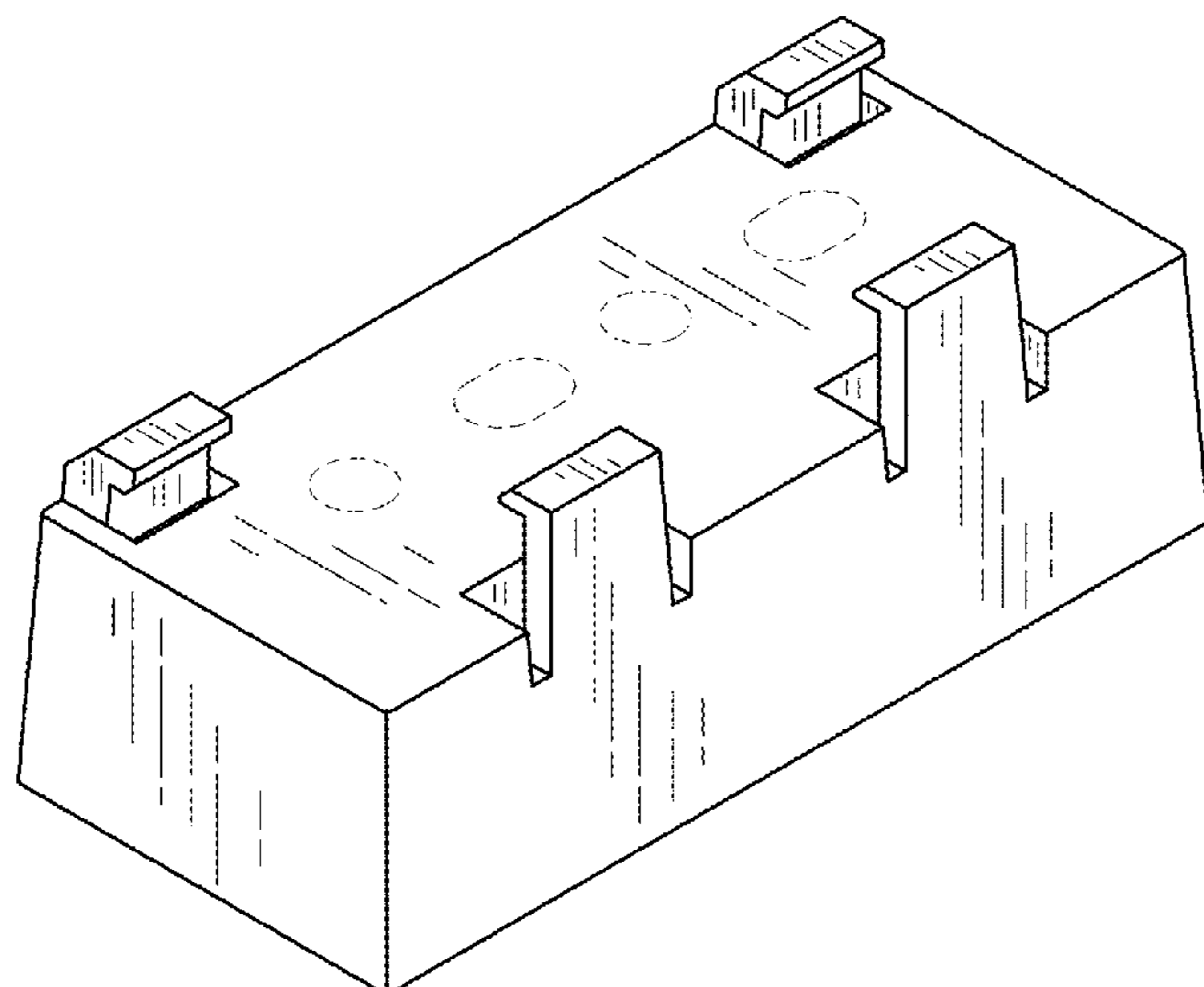
(57) **CLAIM**

The ornamental design for a thermal separator, as shown and described.

**DESCRIPTION**

FIG. 1 is a top perspective view of a thermal separator showing my new design;  
FIG. 2 is a bottom perspective view thereof;  
FIG. 3 is a front elevation view thereof;  
FIG. 4 is a rear elevation view thereof;  
FIG. 5 is a right elevation view thereof;  
FIG. 6 is a left elevation view thereof;  
FIG. 7 is a top plan view thereof; and,  
FIG. 8 is a bottom plan view thereof.  
The dashed lines show portions of the thermal separator which form no part of the claimed design.

**1 Claim, 4 Drawing Sheets**



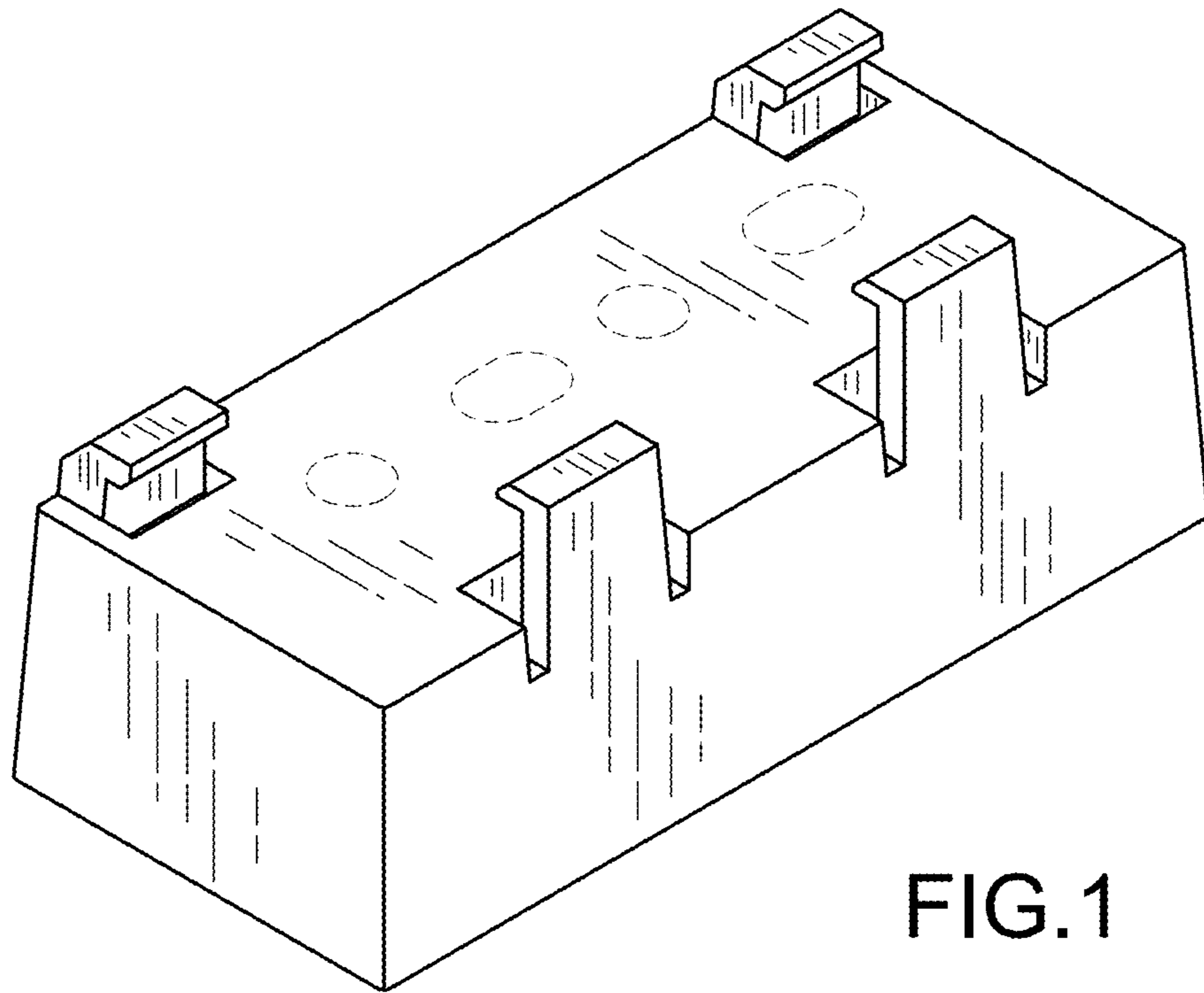


FIG.1

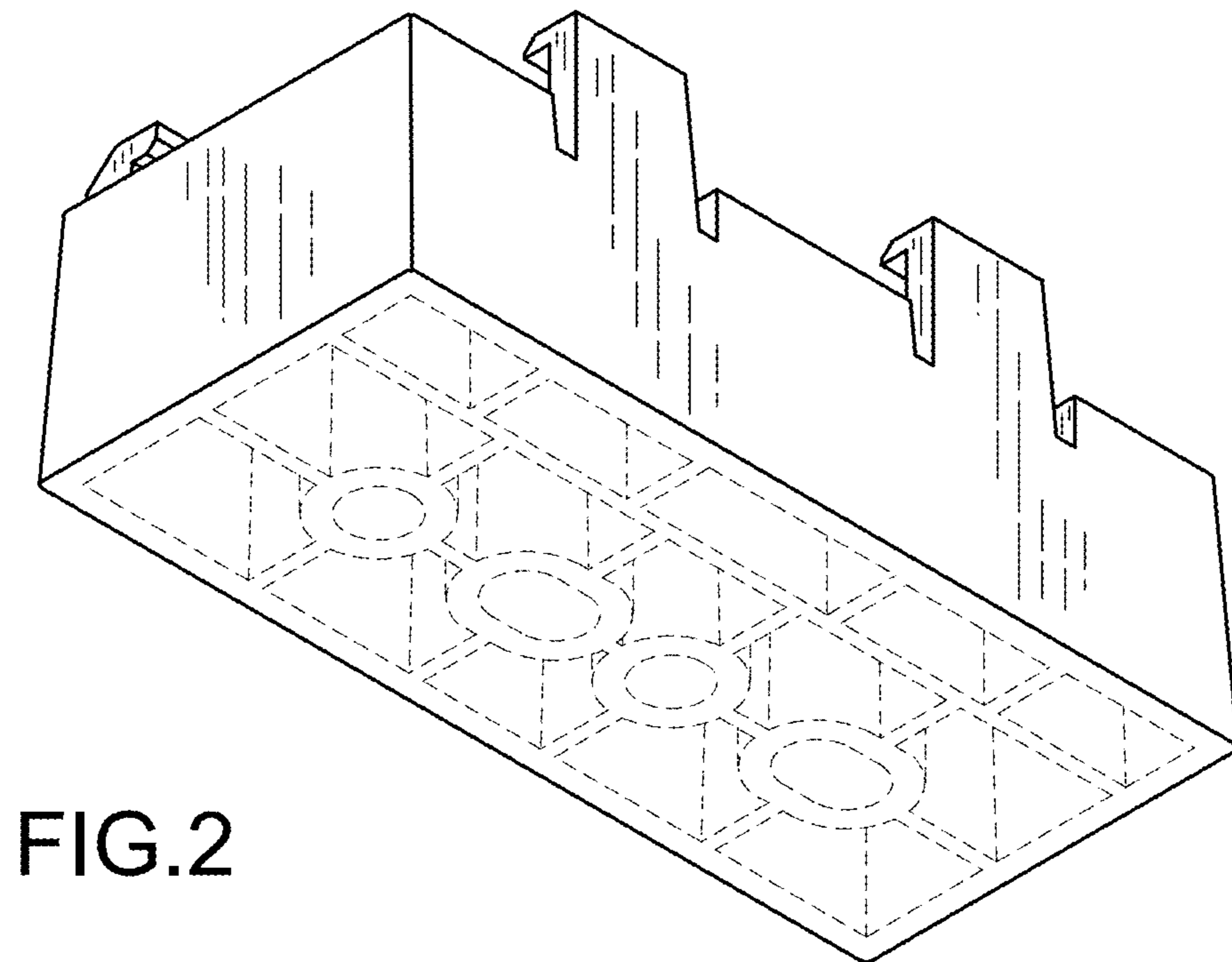


FIG.2

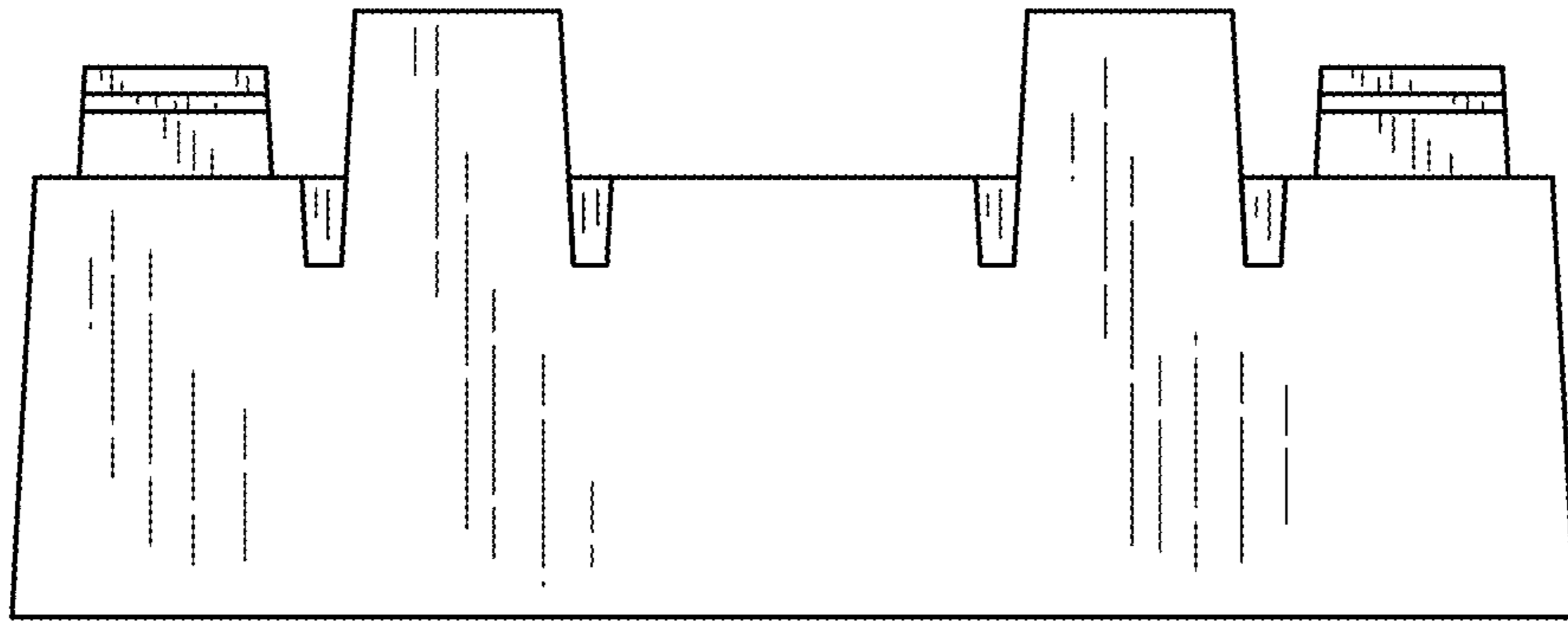


FIG.3

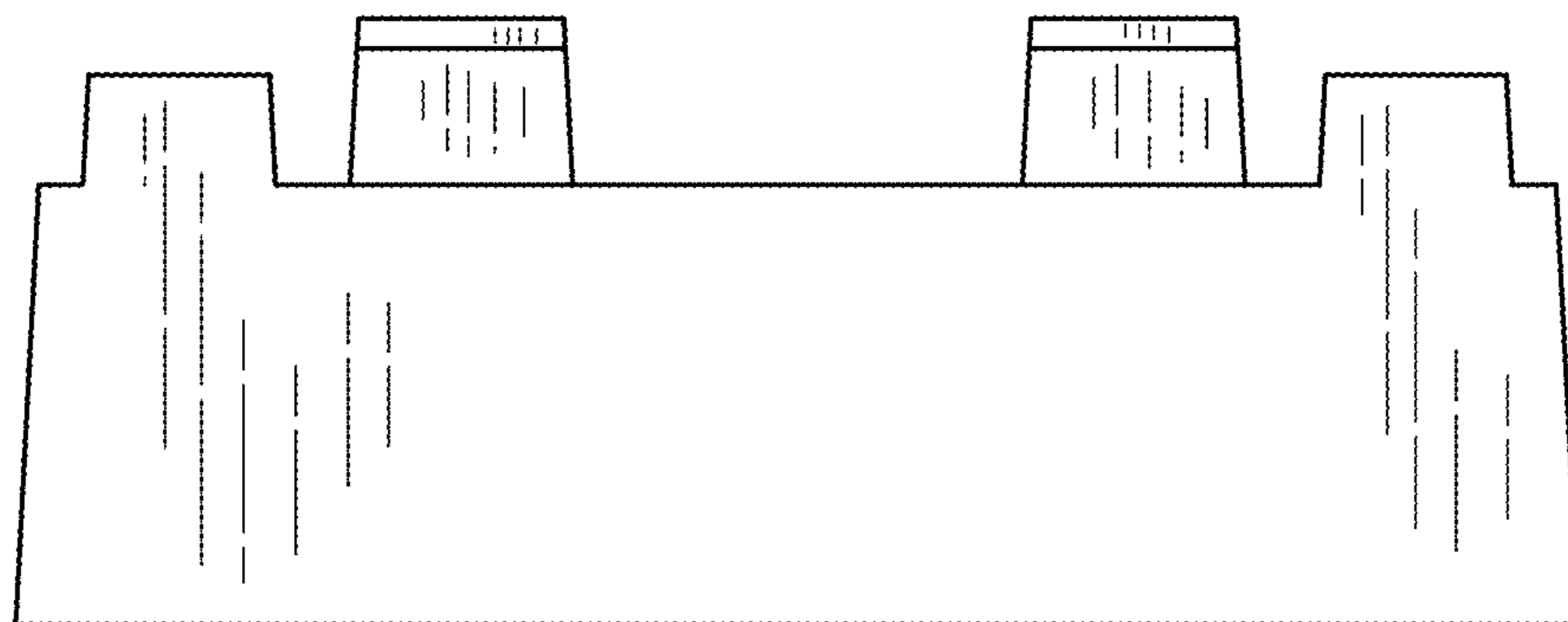


FIG.4

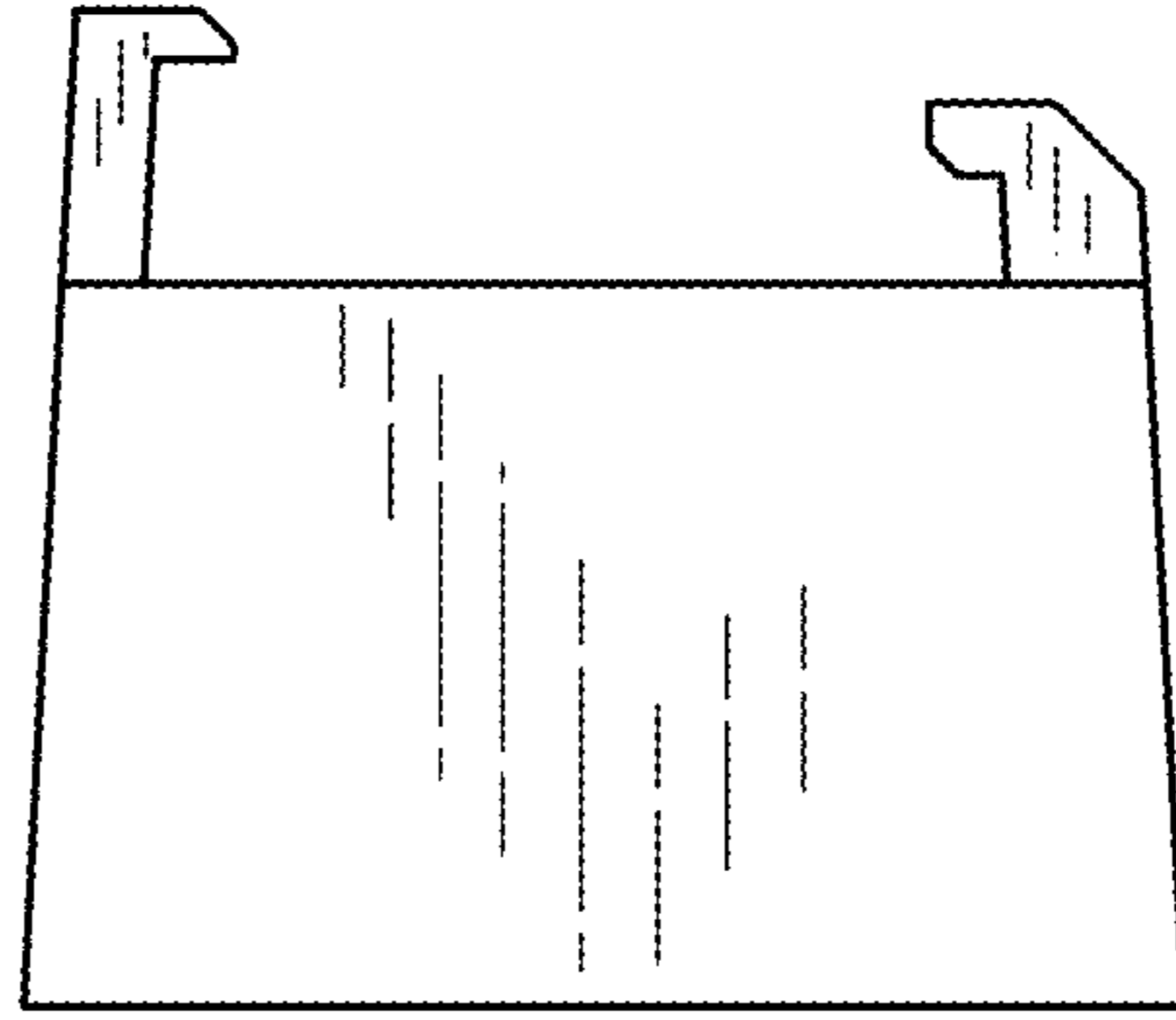


FIG. 5

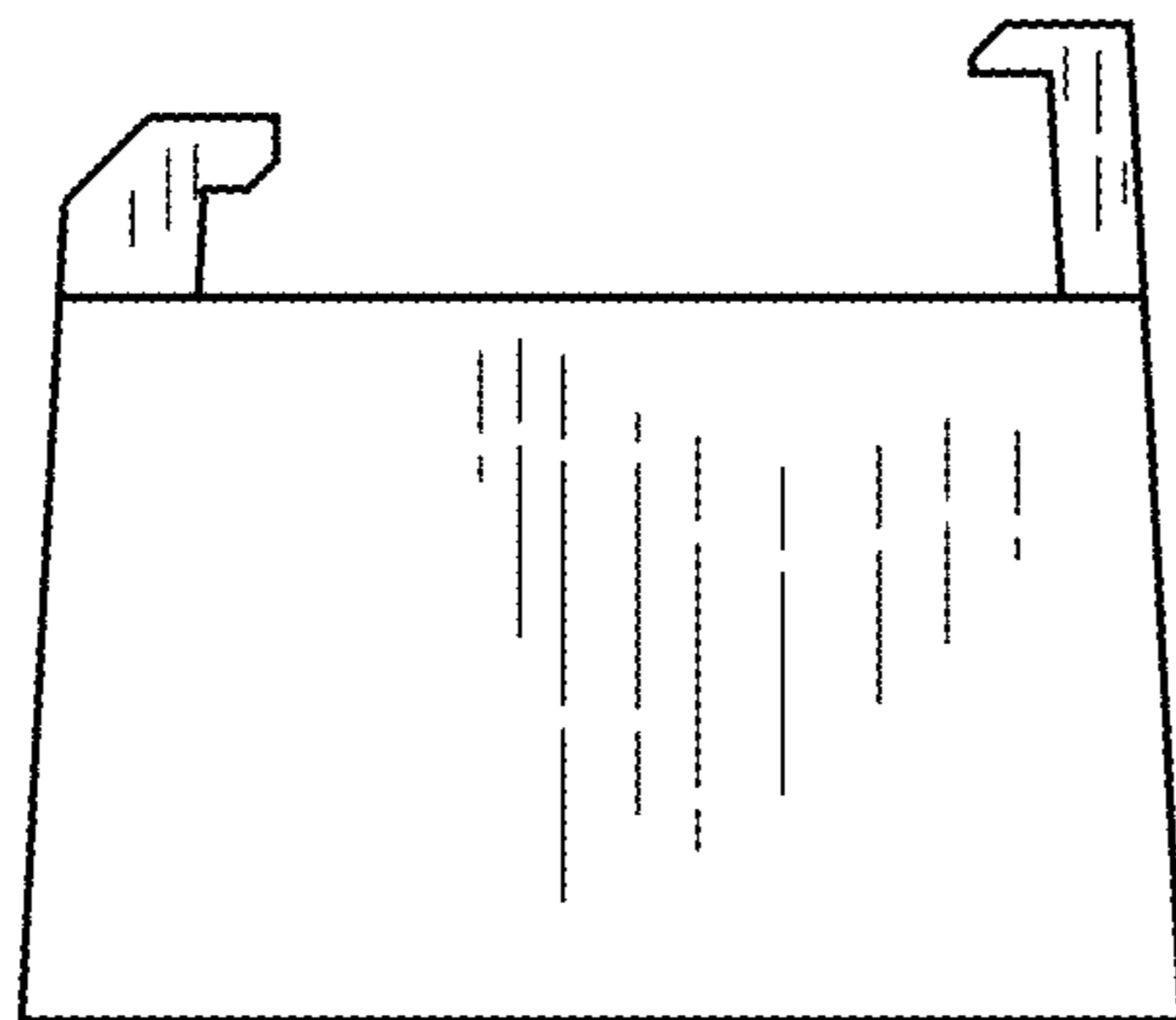


FIG. 6

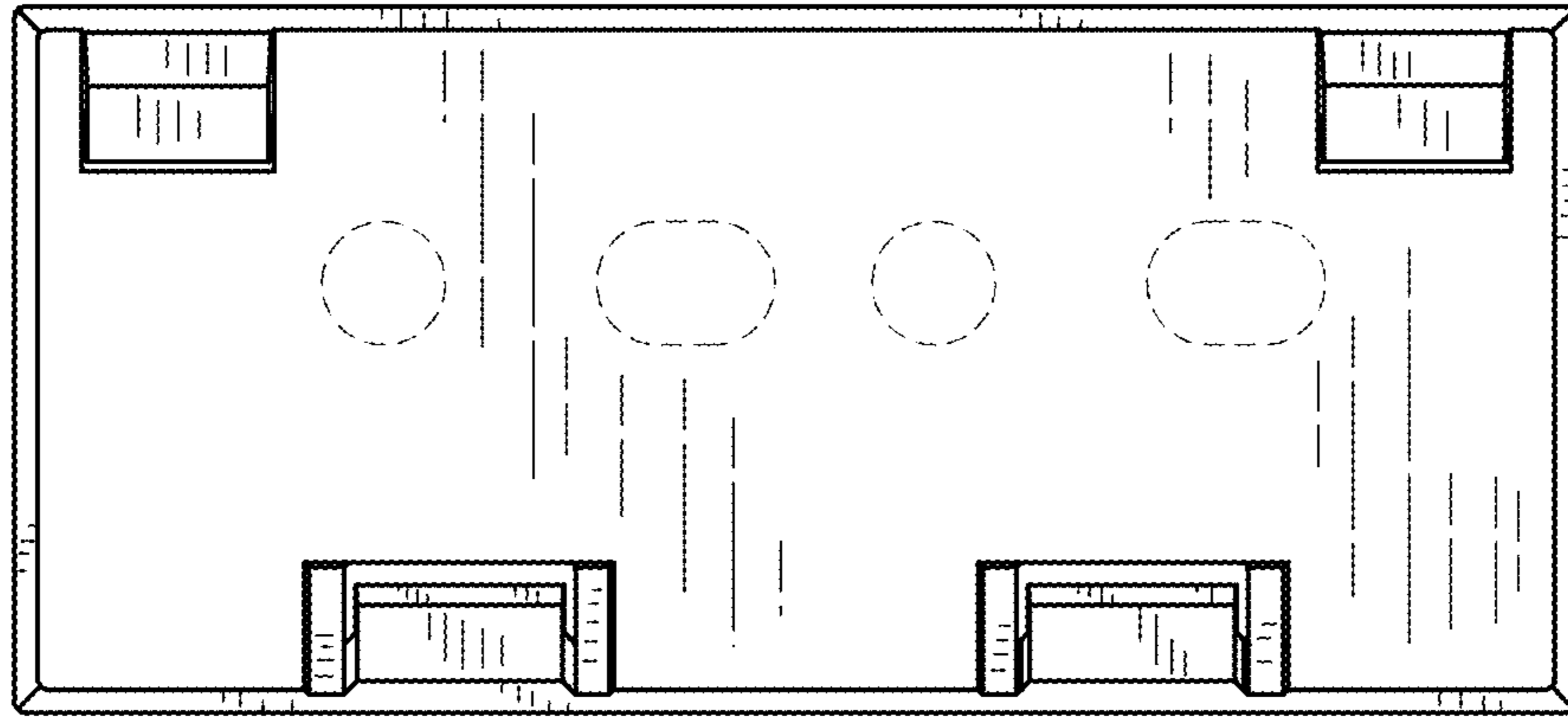


FIG. 7

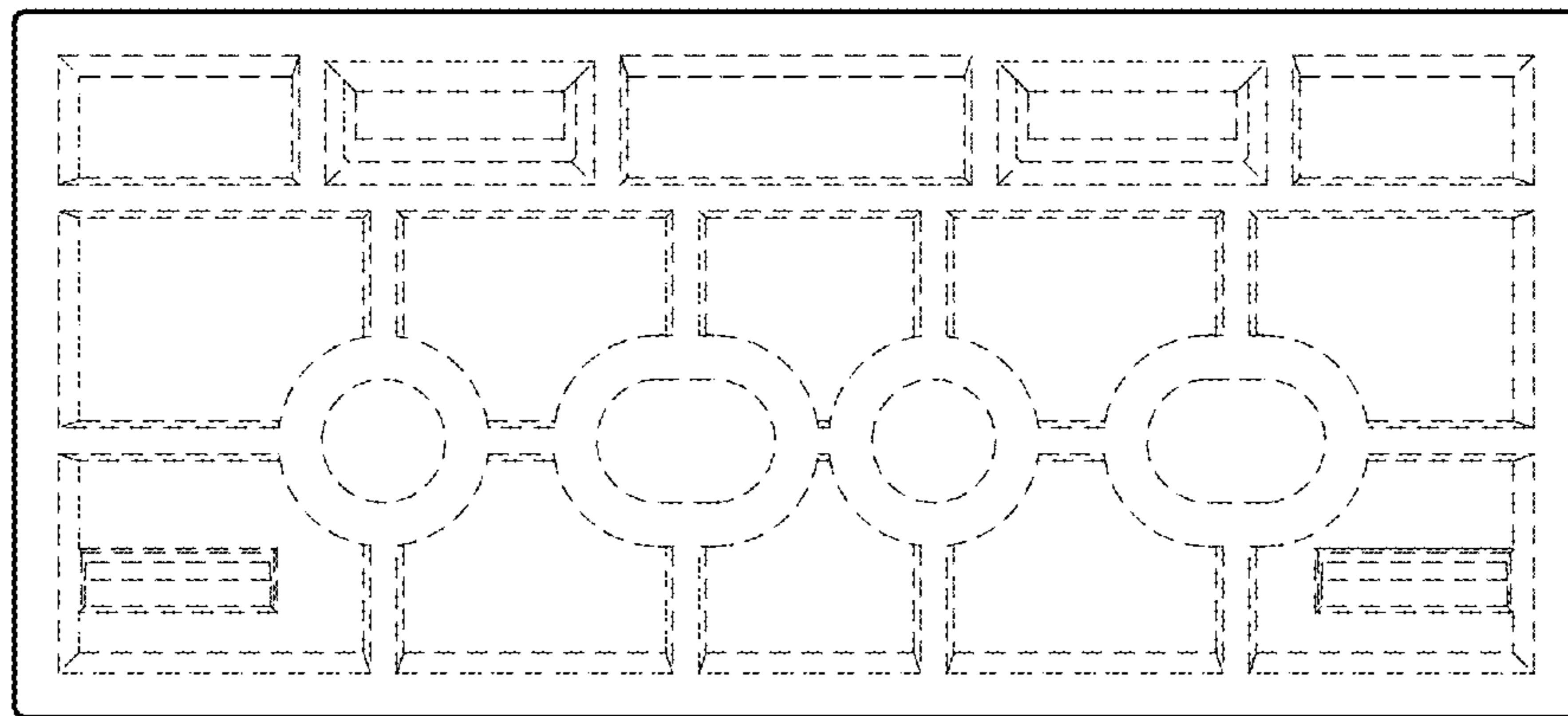


FIG. 8