



US00D917069S

(12) **United States Design Patent** (10) **Patent No.:** **US D917,069 S**
Morales (45) **Date of Patent:** **** Apr. 20, 2021**

(54) **ACOUSTICAL BARRIER SOUND WALL ASSEMBLY**

Primary Examiner — Doris Clark
(74) *Attorney, Agent, or Firm* — Albert Bordas, P.A.

(71) Applicant: **Miguel Angel Morales**, Hialeah, FL (US)

(57) **CLAIM**

The ornamental design for an acoustical barrier sound wall assembly, as shown and described.

(72) Inventor: **Miguel Angel Morales**, Hialeah, FL (US)

DESCRIPTION

(**) Term: **15 Years**

(21) Appl. No.: **29/721,934**

(22) Filed: **Jan. 24, 2020**

(51) **LOC (13) Cl.** **25-02**

(52) **U.S. Cl.**
USPC **D25/38.1**

(58) **Field of Classification Search**
USPC D25/38.1
CPC . E02D 29/02; E02D 29/0216; E02D 29/0208;
E02D 29/025; E02D 29/0266
See application file for complete search history.

FIG. 1 is a top plan view of an acoustical barrier sound wall assembly, the bottom view being a mirror image thereof; FIG. 2 is a front elevational view thereof; FIG. 3 is a bottom plan view thereof; FIG. 4 is a rear elevational view thereof; FIG. 5 is a right-side elevational view thereof; FIG. 6 is a left-side elevational view thereof; FIG. 7 is a front isometric view thereof; FIG. 8 is a rear isometric view thereof; FIG. 9 is a top plan view of one acoustical barrier sound wall of the acoustical barrier sound wall assembly, the bottom view being a mirror image thereof; FIG. 10 is a front elevational view of the acoustical barrier sound wall of the acoustical barrier sound wall assembly seen in FIG. 9; FIG. 11 is a rear elevational view thereof; FIG. 12 is a right-side elevational view thereof, the left-side elevational view being a mirror image thereof; FIG. 13 is a front isometric view thereof; FIG. 14 is a rear isometric view thereof; and, FIG. 15 is a front isometric exploded view thereof, showing parts of the acoustical barrier sound wall of the acoustical barrier sound wall assembly unassembled.

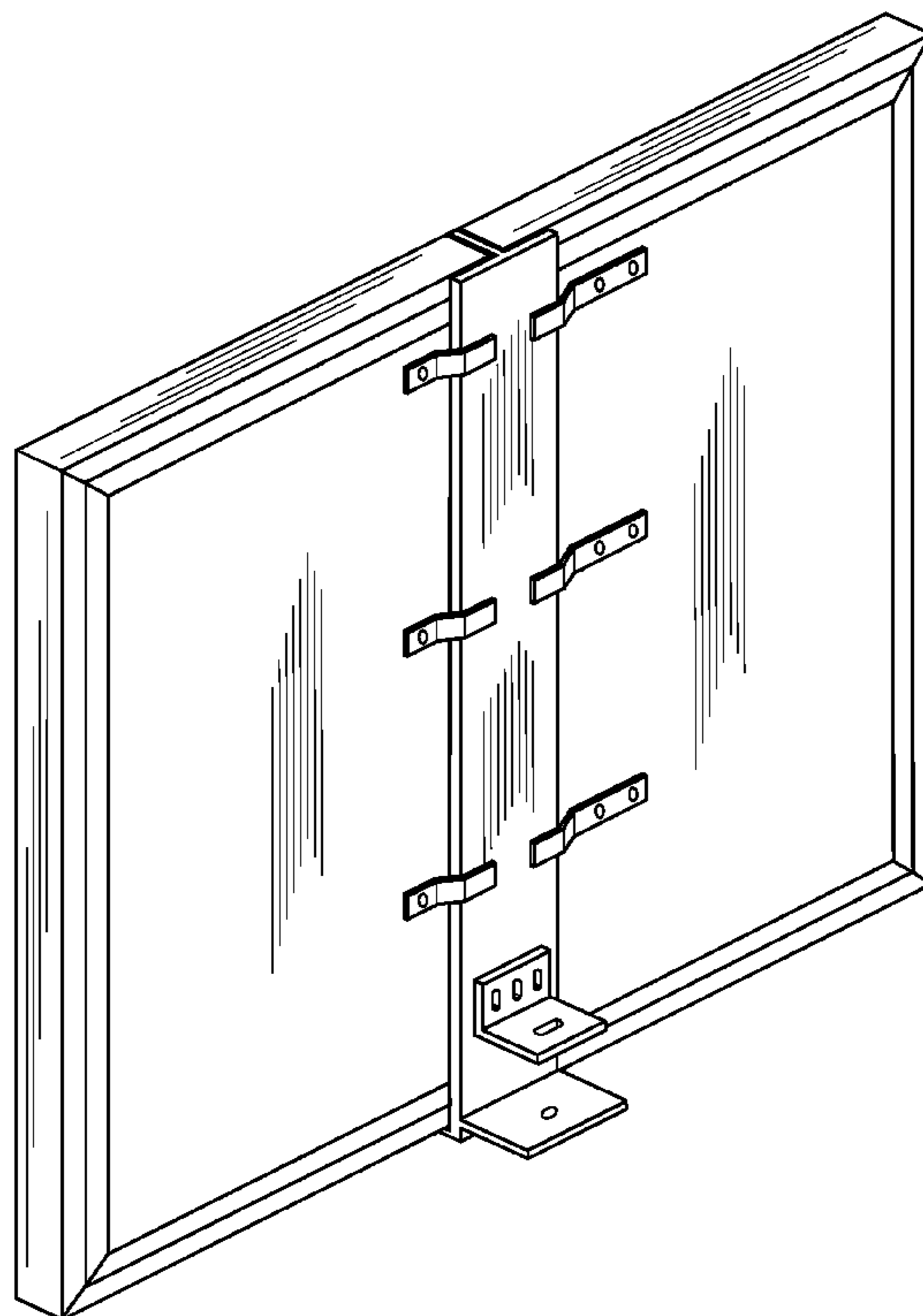
(56) **References Cited**

U.S. PATENT DOCUMENTS

D511,009 S *	10/2005	McGregor	D25/38.1
7,798,748 B2 *	9/2010	La	E02D 29/0283
				405/285
D631,977 S *	2/2011	Taylor	D25/38.1
D796,689 S *	9/2017	Nettles	D25/38.1
10,344,444 B2 *	7/2019	Durkin	E02D 29/0225
10,400,418 B2 *	9/2019	Babcock	E02D 29/025
10,480,150 B2 *	11/2019	Ladkat	E02D 29/02

* cited by examiner

1 Claim, 10 Drawing Sheets



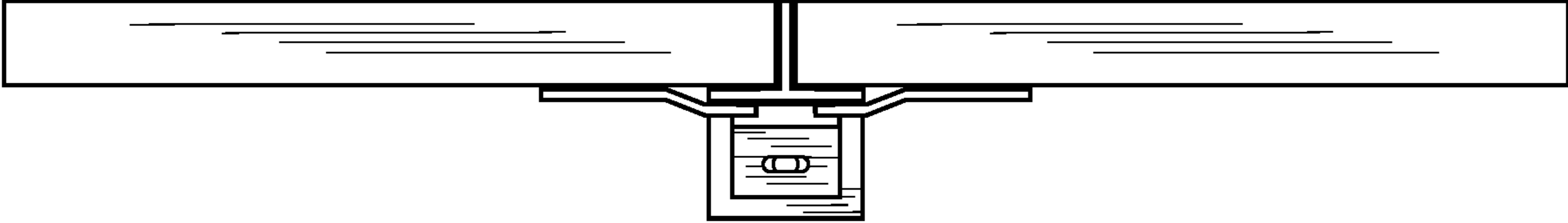


Fig. 1

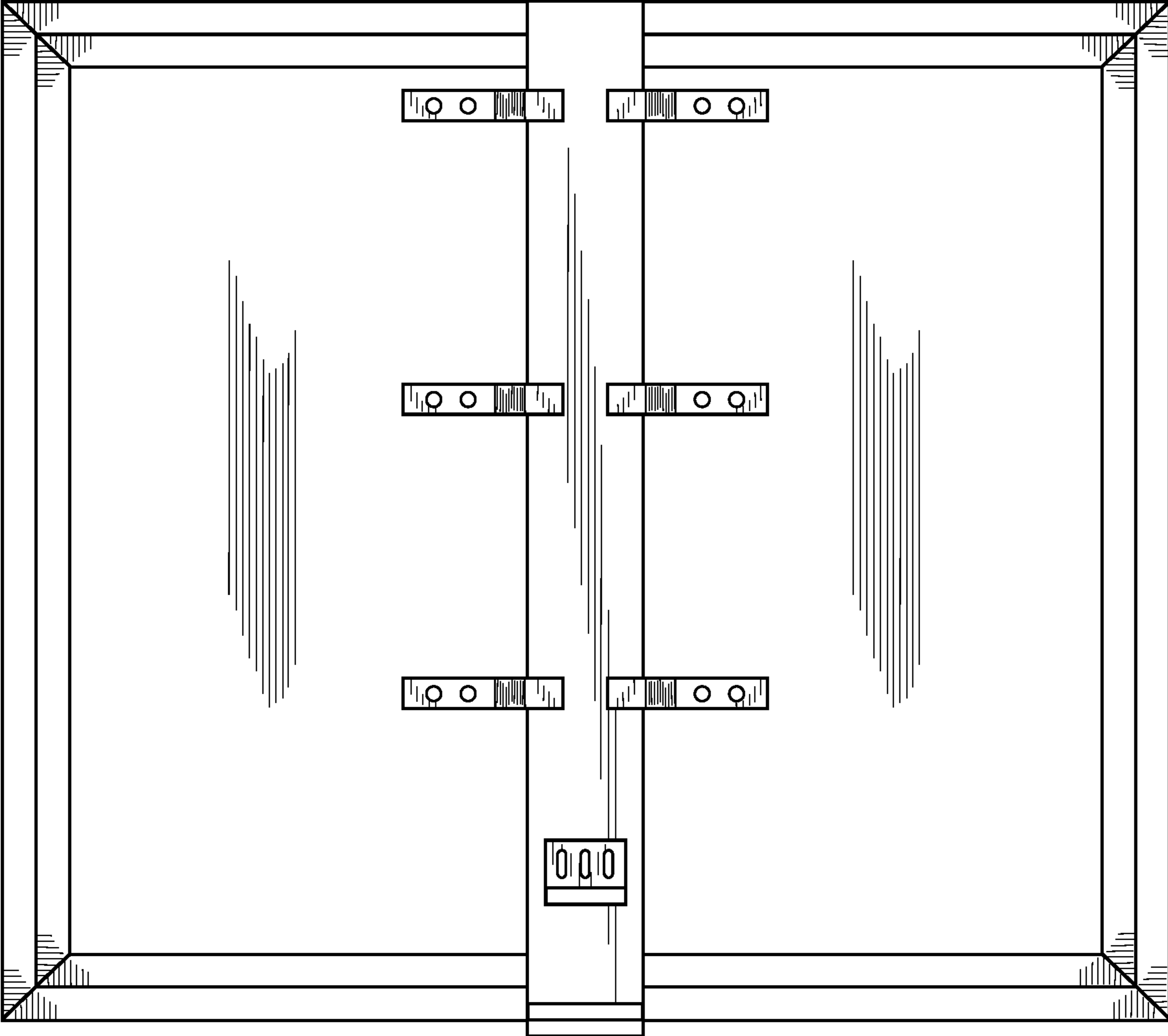


Fig. 2

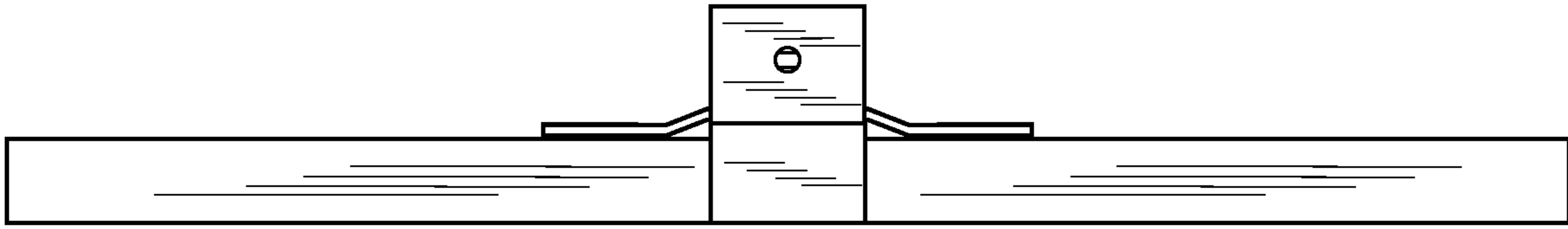


Fig. 3

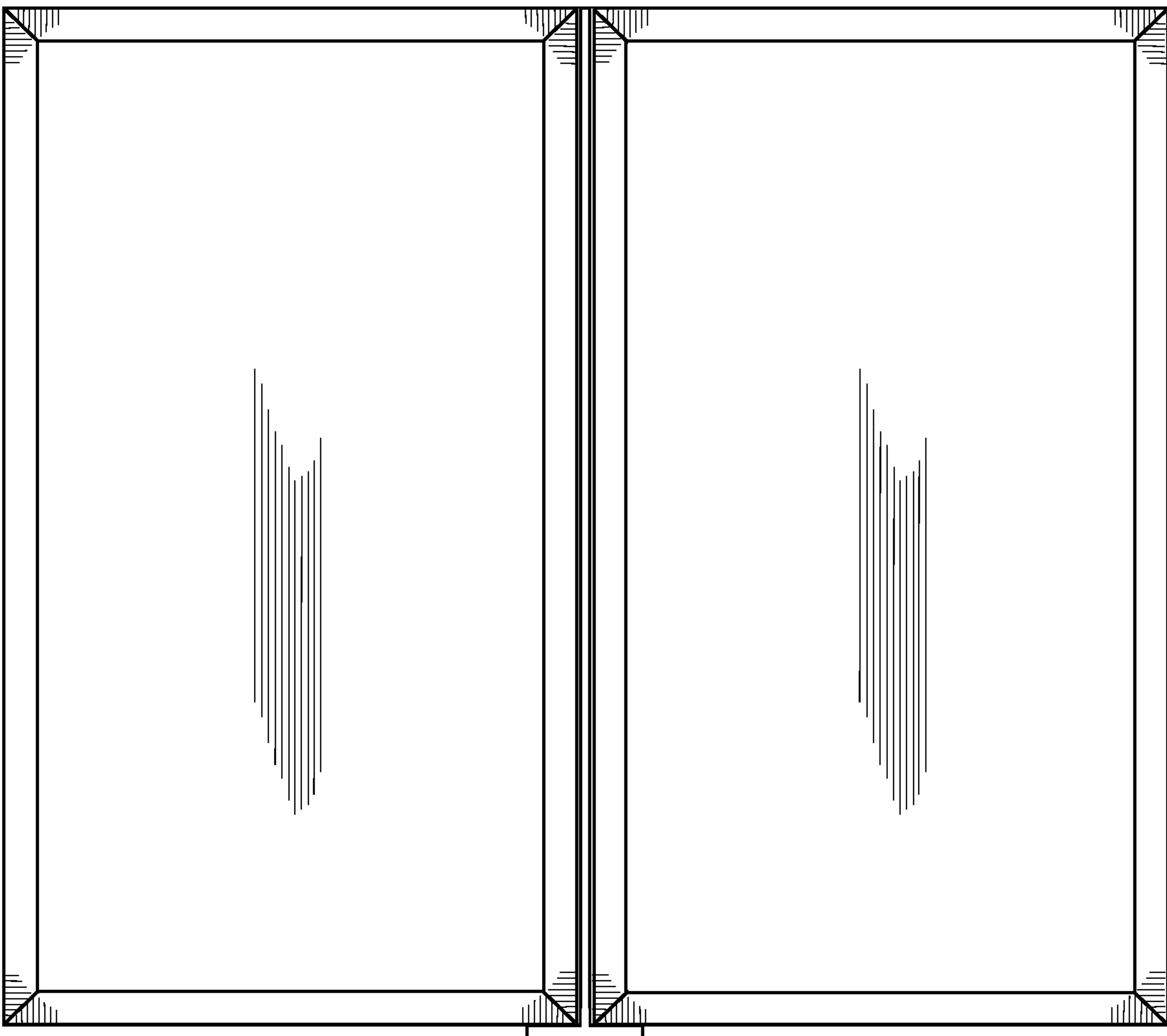


Fig. 4

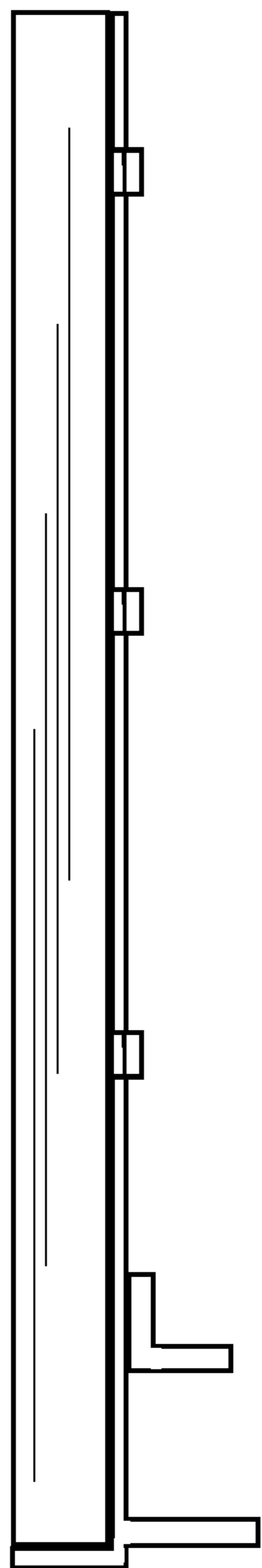


Fig. 5

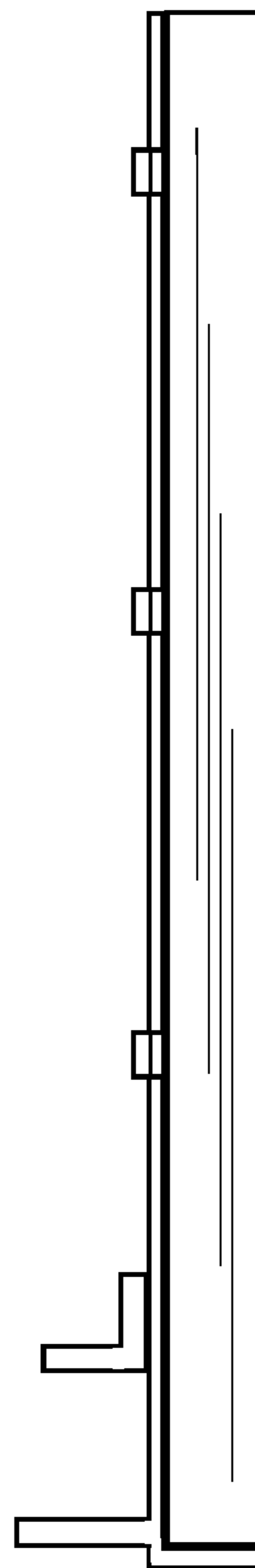


Fig. 6

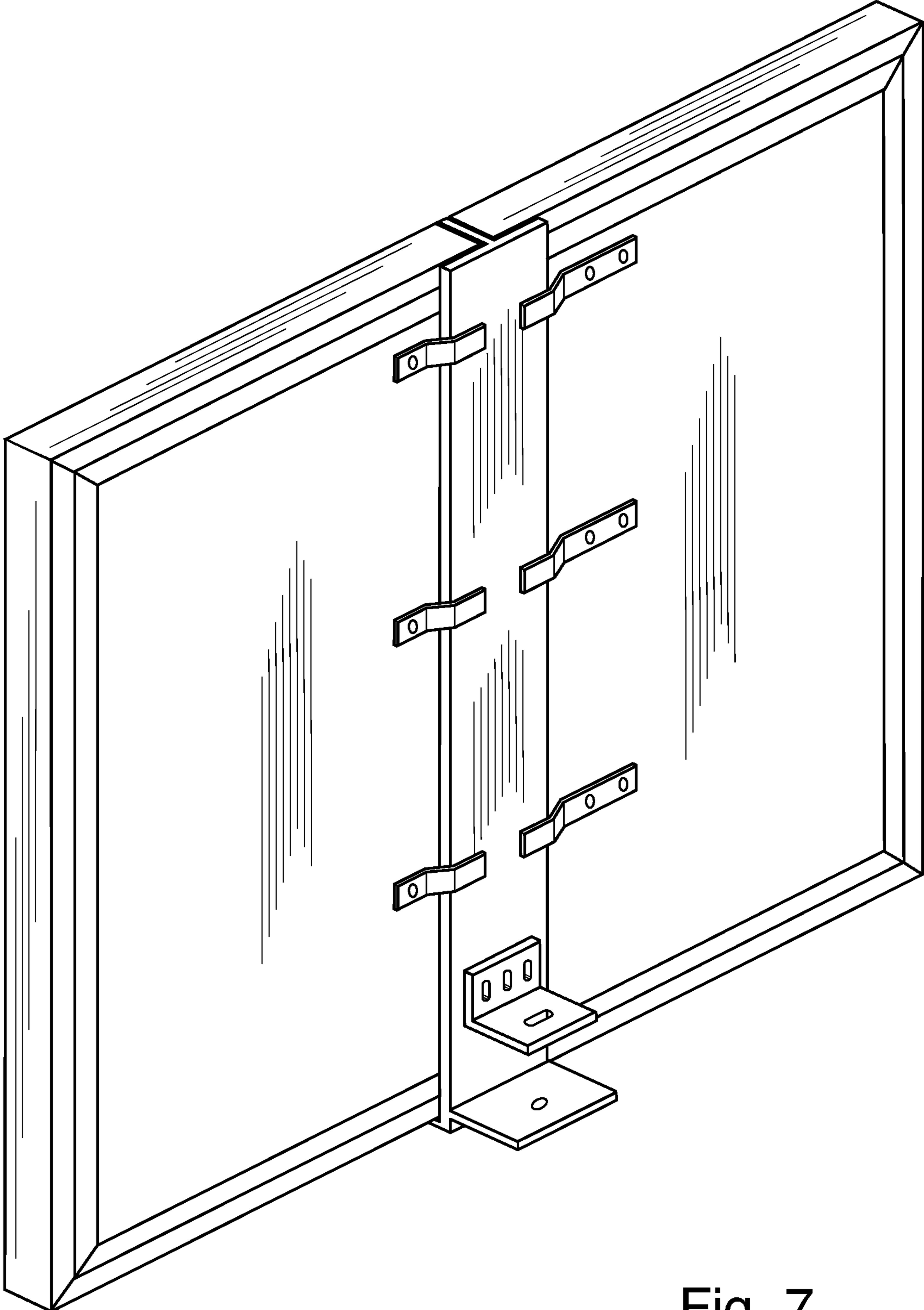


Fig. 7

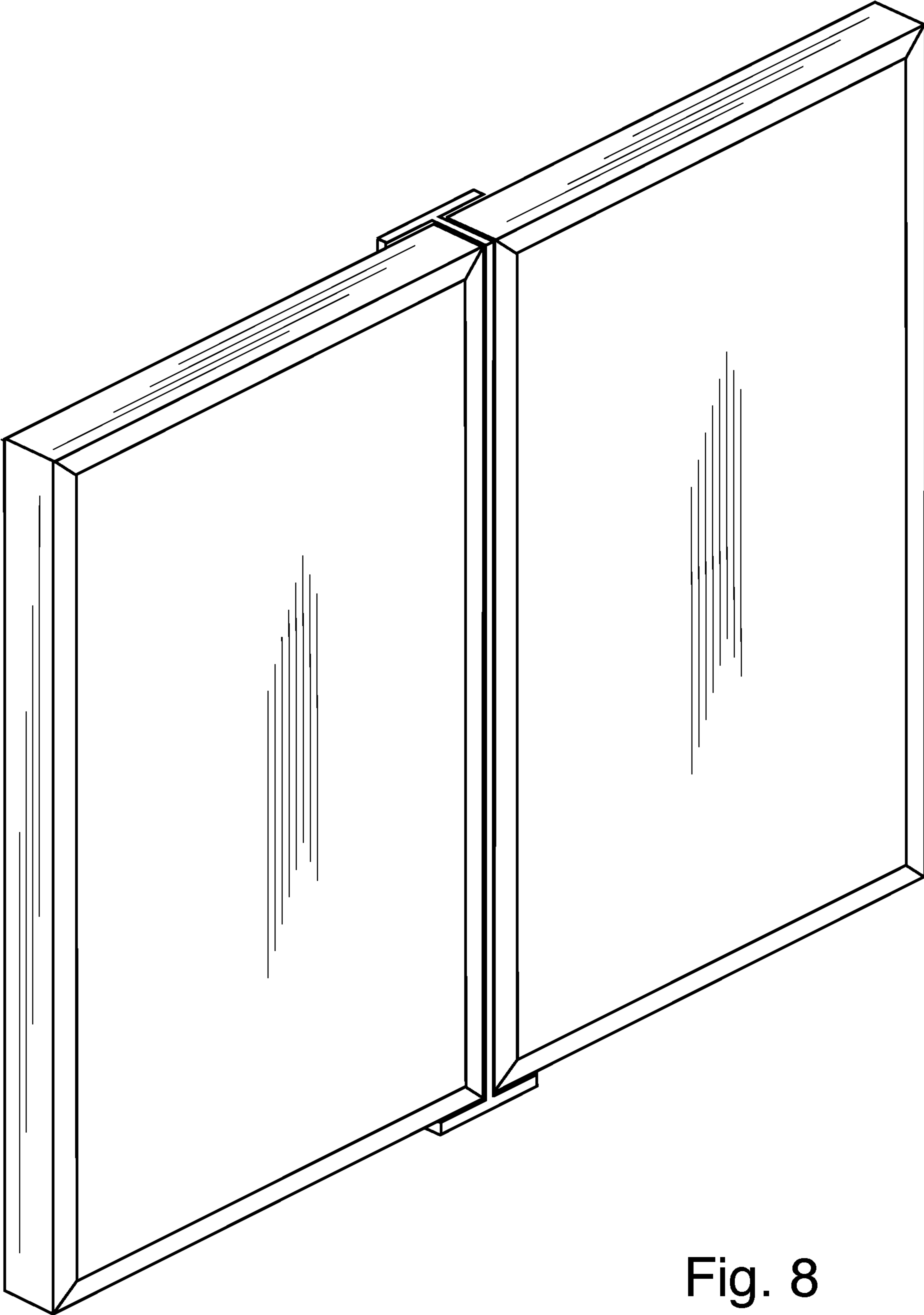


Fig. 8

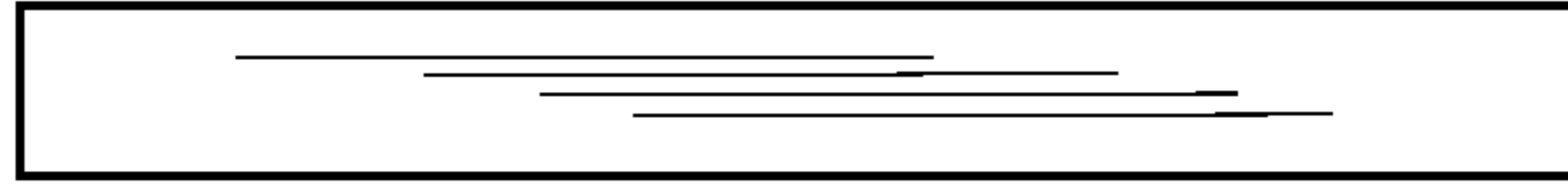


Fig. 9

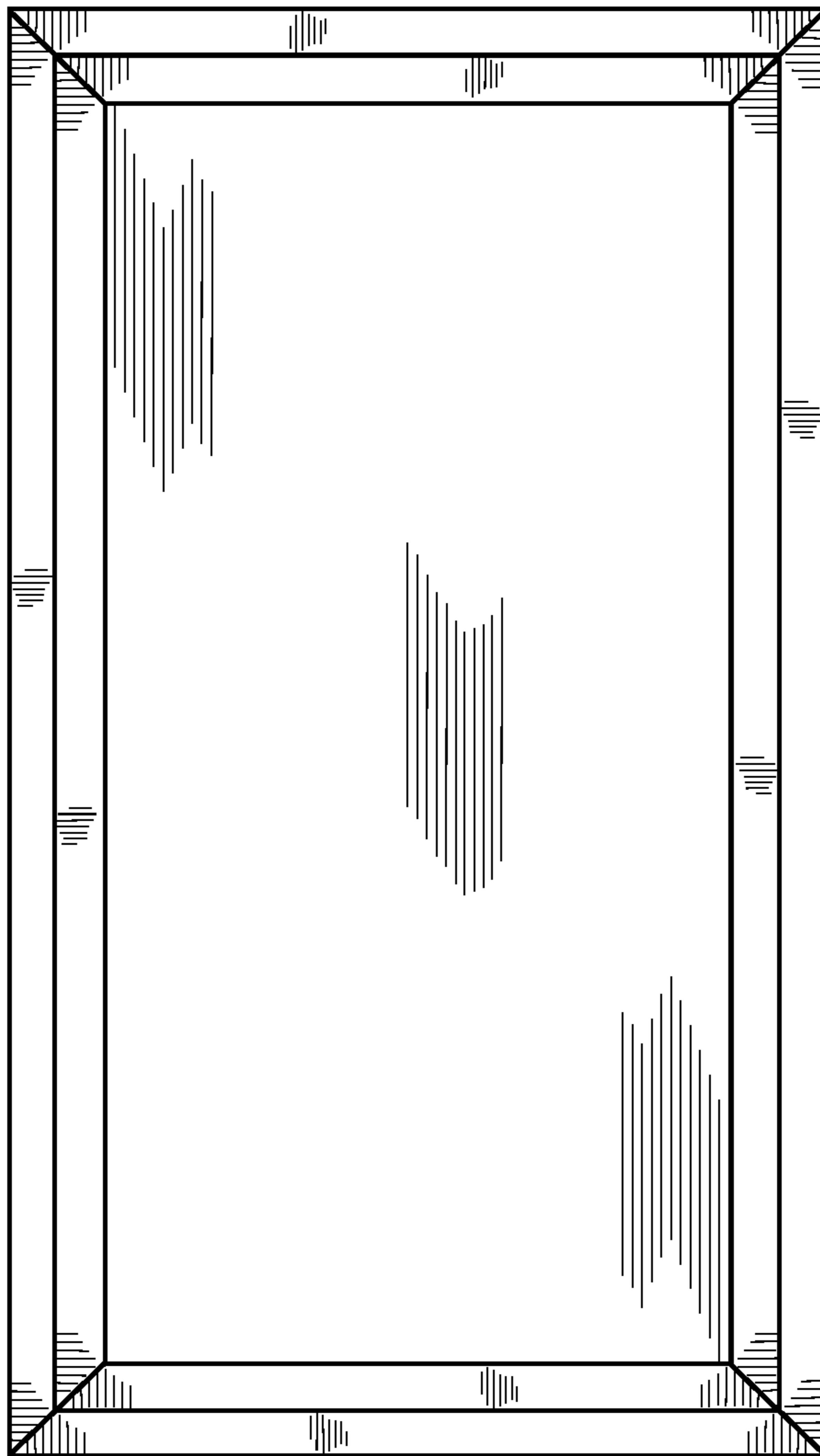


Fig. 10

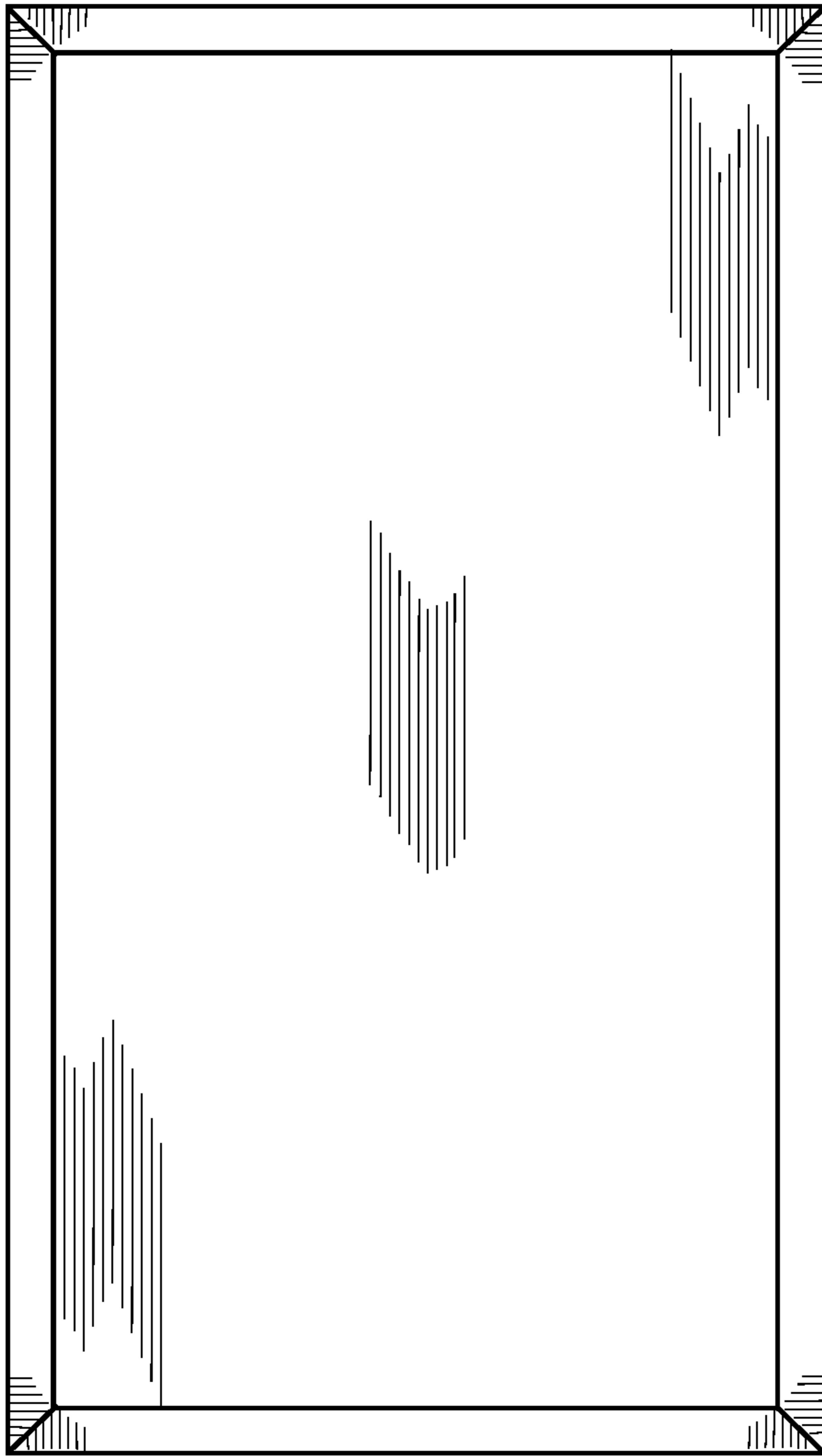


Fig. 11

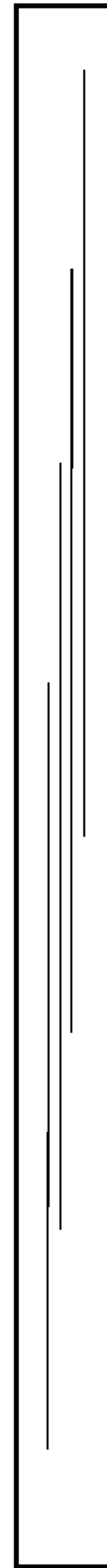


Fig. 12

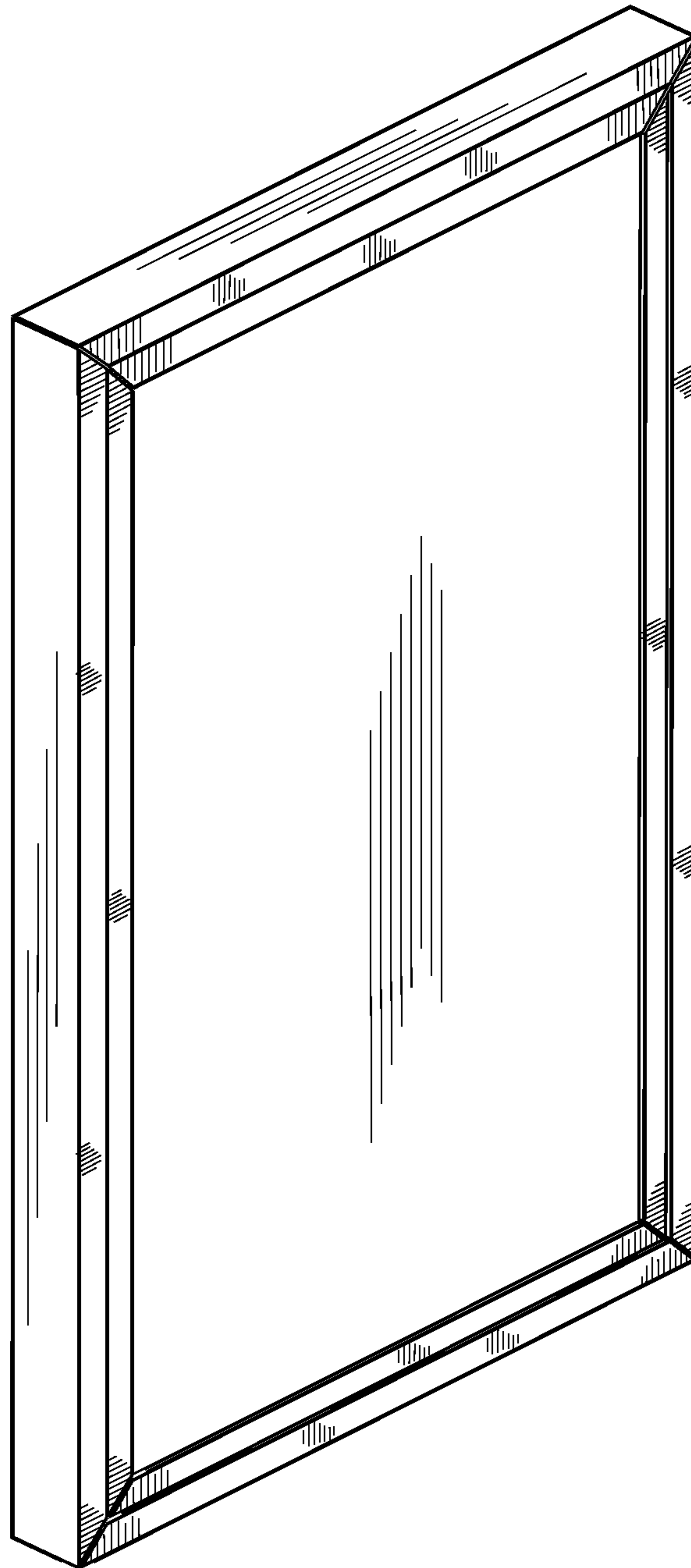


Fig. 13

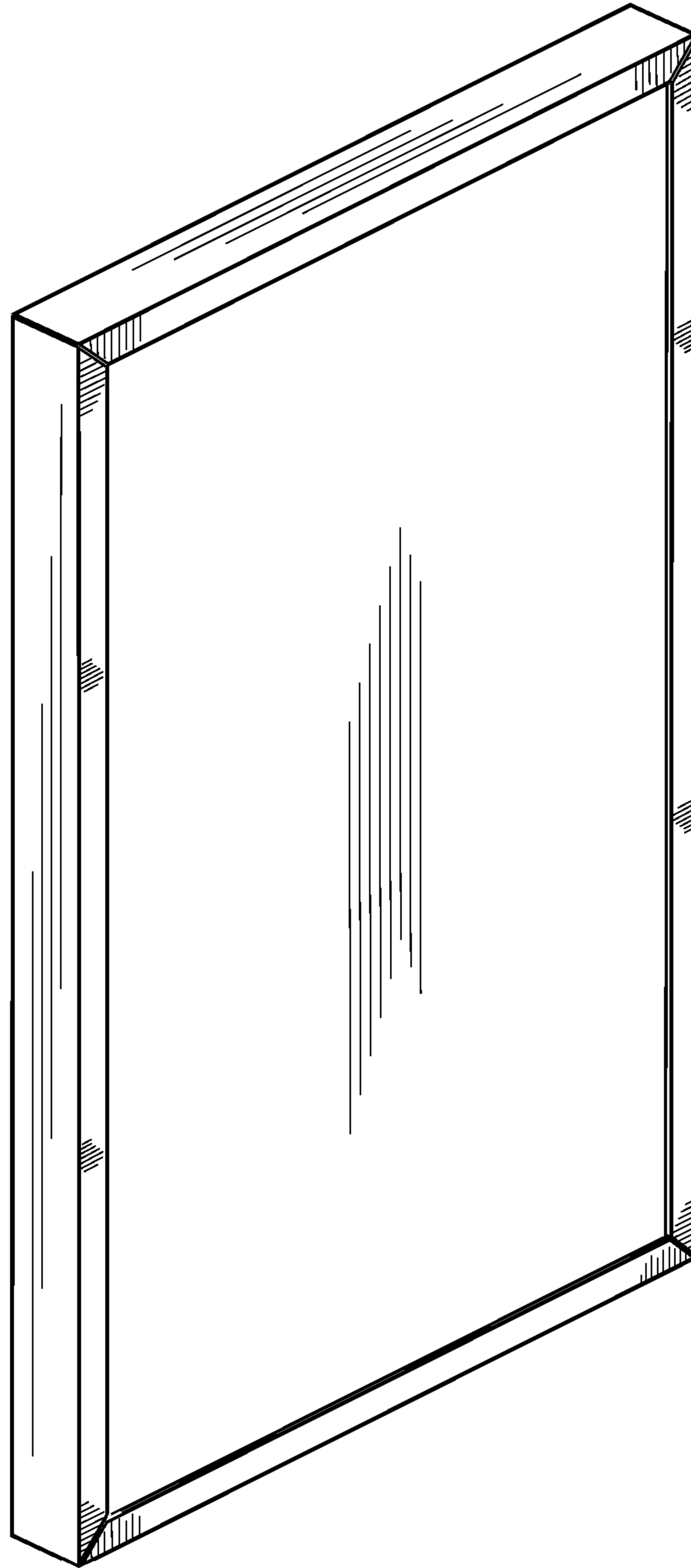


Fig. 14

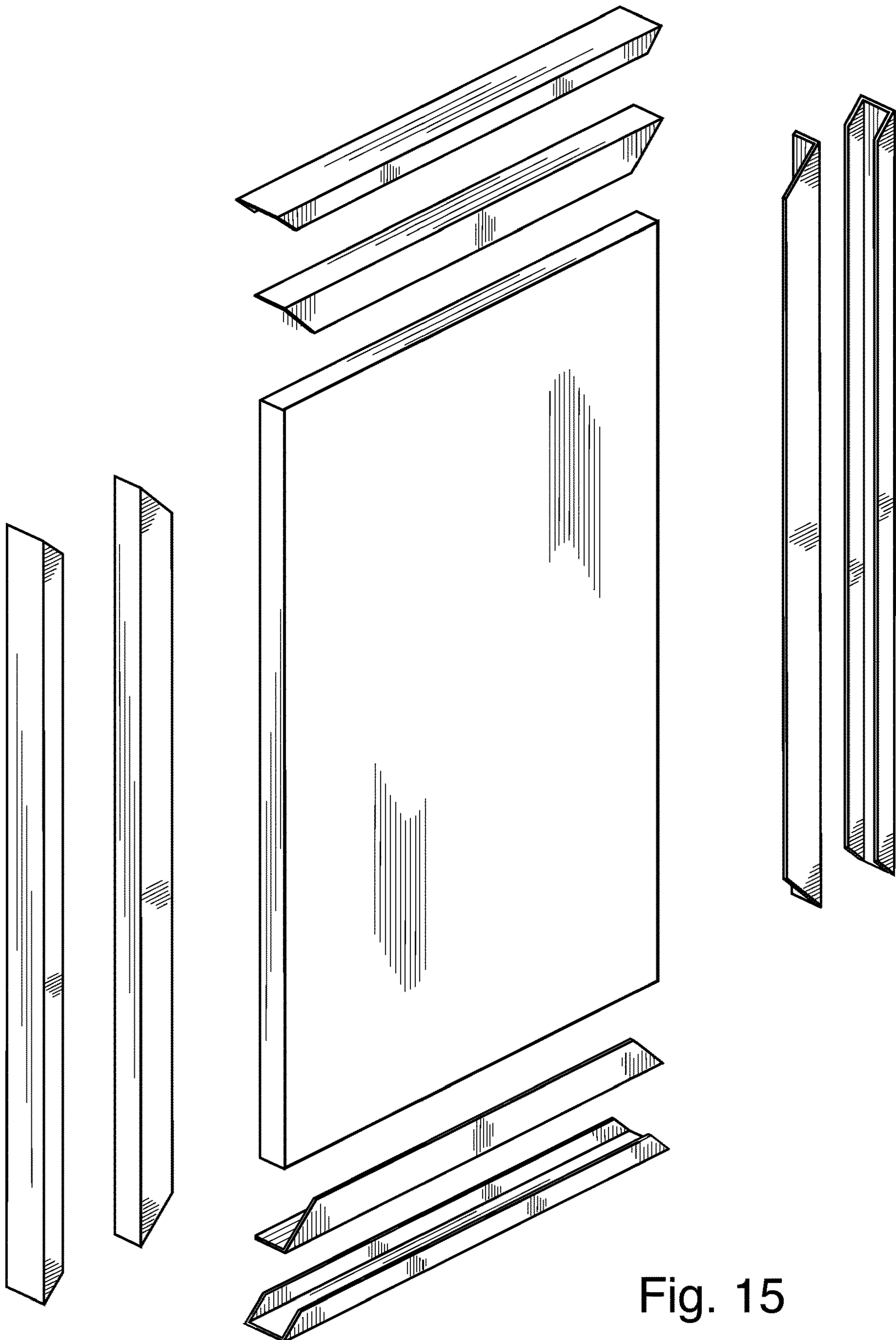


Fig. 15