



US00D917066S

(12) **United States Design Patent**
Esterberg et al.

(10) **Patent No.:** **US D917,066 S**
(45) **Date of Patent:** **** Apr. 20, 2021**

(54) **BENCHTOP FLUID EJECTION DEVICE**

Primary Examiner — Anhdao Doan

(74) *Attorney, Agent, or Firm — Fabian VanCott*

(71) Applicant: **HEWLETT-PACKARD
DEVELOPMENT COMPANY, L.P.,
Spring, TX (US)**

(72) Inventors: **Dennis R. Esterberg**, Corvallis, OR
(US); **Vignesh Kannan**, Corvallis, OR
(US); **Kenneth Ward**, Corvallis, OR
(US); **Christie Dudenhofer**, Corvallis,
OR (US)

(57) **CLAIM**

The ornamental design for a benchtop fluid ejection device,
as shown and described.

(73) Assignee: **Hewlett-Packard Development
Company, L.P.**, Spring, TX (US)

DESCRIPTION

(**) Term: **15 Years**

FIG. 1 is a front, top, and first side perspective view of the
benchtop fluid ejection device with a plate in a first position,
an arm in a first position, and a latch in a first position;
FIG. 2 is a front view thereof;
FIG. 3 is a first side view thereof;
FIG. 4 is a second side view thereof;
FIG. 5 is a back view thereof;
FIG. 6 is a top view thereof;
FIG. 7 is a bottom view thereof;
FIG. 8 is a front, top, and second side perspective view
thereof;
FIG. 9 is a back, top, and first side perspective view thereof;
FIG. 10 is a back, top, and second side perspective view
thereof;
FIG. 11 is a front, top, and first side perspective view thereof
with the plate in a second position;
FIG. 12 is another front, top, and second side perspective
view thereof;
FIG. 13 is a front, top, and first side perspective view thereof
with the arm in a second position;
FIG. 14 is another front, top, and second side perspective
view thereof;
FIG. 15 is a front, top, and first side perspective view thereof
with the latch in a second position; and,
FIG. 16 is another front, top, and second side perspective
view thereof.

(21) Appl. No.: **29/689,292**

(22) Filed: **Apr. 29, 2019**

(51) **LOC (13) Cl.** **24-01**

(52) **U.S. Cl.**
USPC **D24/232**

(58) **Field of Classification Search**
USPC D24/107, 185, 186, 216–219, 231–234;
D10/81
CPC G01N 2035/00306; G01N 2035/00326;
G01N 2035/00336; G01N 2030/027;
G01N 21/76; G01N 33/533; G01N
33/5302; G01N

(Continued)

(56) **References Cited**

U.S. PATENT DOCUMENTS

D328,954 S * 8/1992 Brech D24/216
D330,899 S * 11/1992 Holbl D24/216

(Continued)

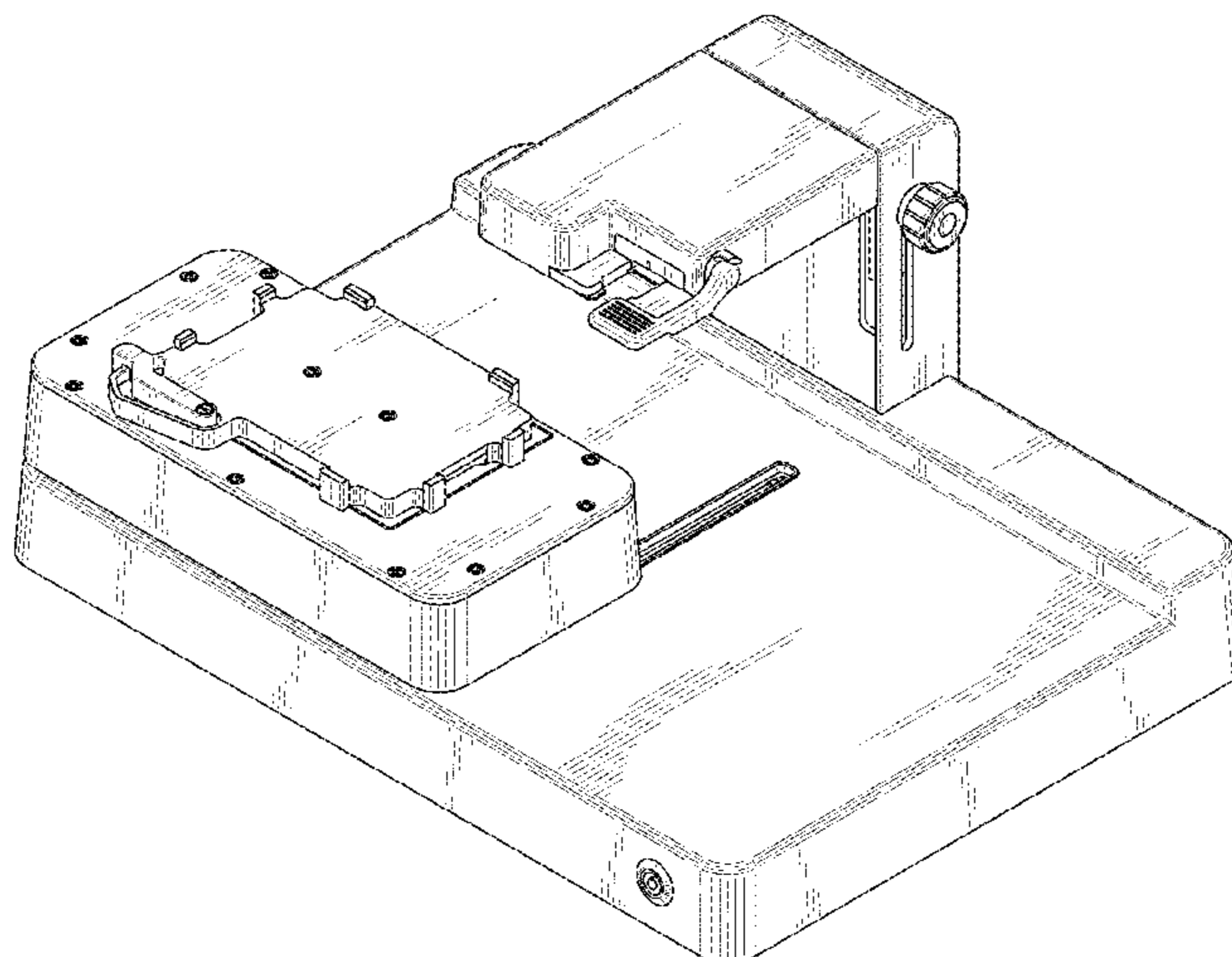
FOREIGN PATENT DOCUMENTS

CN 304556548 3/2018
JP D1187160 10/2003

(Continued)

The broken lines illustrate portions of the benchtop fluid
ejection device that form no part of the claimed design. The
broken lines form no part of the claimed design.

1 Claim, 16 Drawing Sheets



(58) **Field of Classification Search**

CPC .. 33/569; G01N 35/0099; G01N 35/10; G01N
35/1009; G01N 35/1011; G01N 35/1034;
B01L 9/52; B01L 9/523

See application file for complete search history.

(56) **References Cited**

U.S. PATENT DOCUMENTS

| | | | | | |
|--------------|------|---------|-------------|-------|------------------------|
| D667,961 | S * | 9/2012 | Marmier | | D24/232 |
| 8,372,356 | B2 * | 2/2013 | Warhurst | | B01L 3/0234 422/509 |
| D693,480 | S * | 11/2013 | Spiess | | D24/232 |
| D714,954 | S * | 10/2014 | Develon | | D24/216 |
| D738,243 | S * | 9/2015 | Selberg | | D24/232 |
| D761,439 | S * | 7/2016 | Ruiz Robles | | D24/232 |
| D810,315 | S * | 2/2018 | Hoelbl | | D24/232 |
| 2004/0149015 | A1 * | 8/2004 | Hansen | | G01N 35/1011 73/40 |

FOREIGN PATENT DOCUMENTS

| | | |
|----|----------------|---------|
| JP | D1328712 | 5/2008 |
| JP | D1622632 | 1/2019 |
| KR | 300580340.0000 | 11/2010 |

* cited by examiner

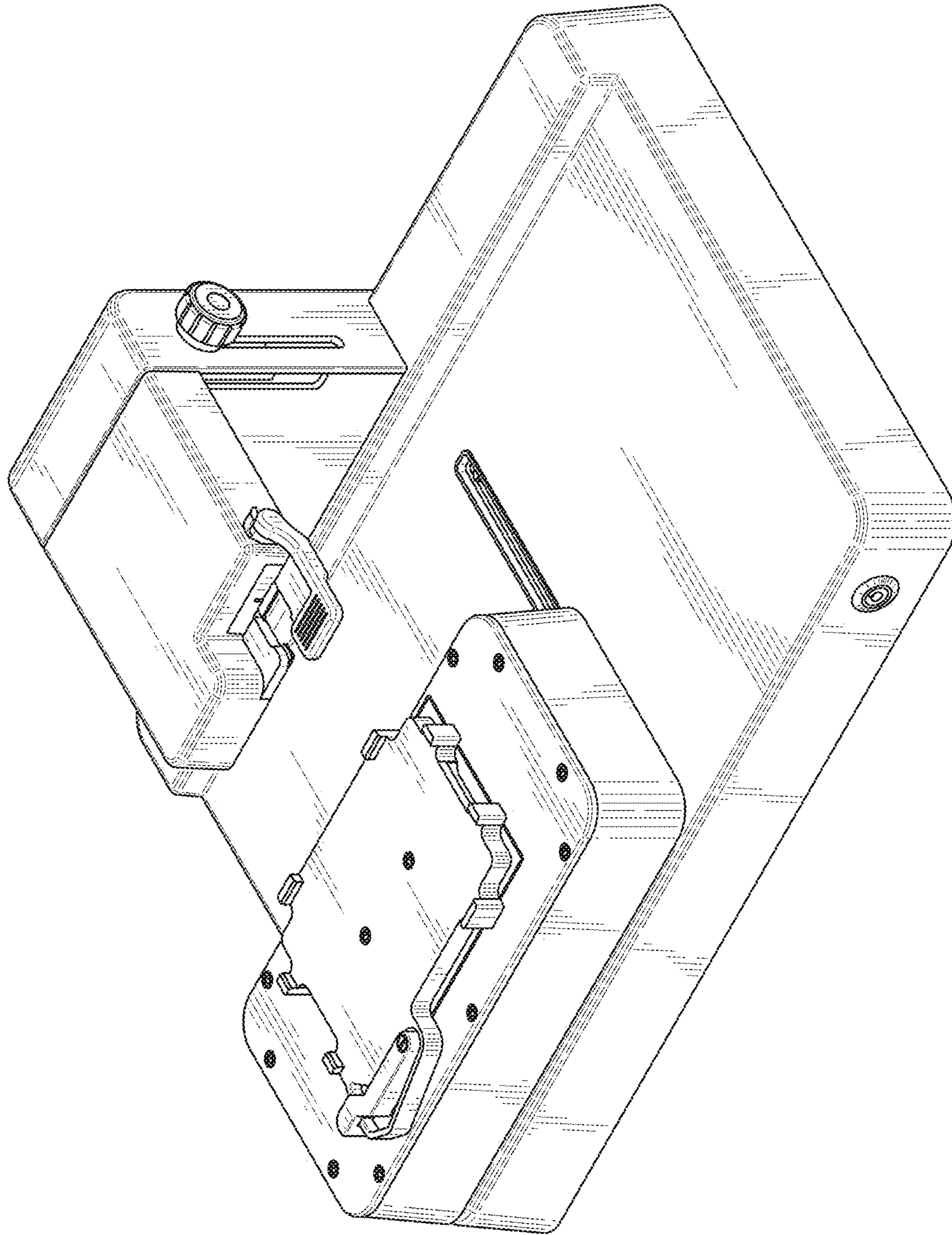


FIG. 1

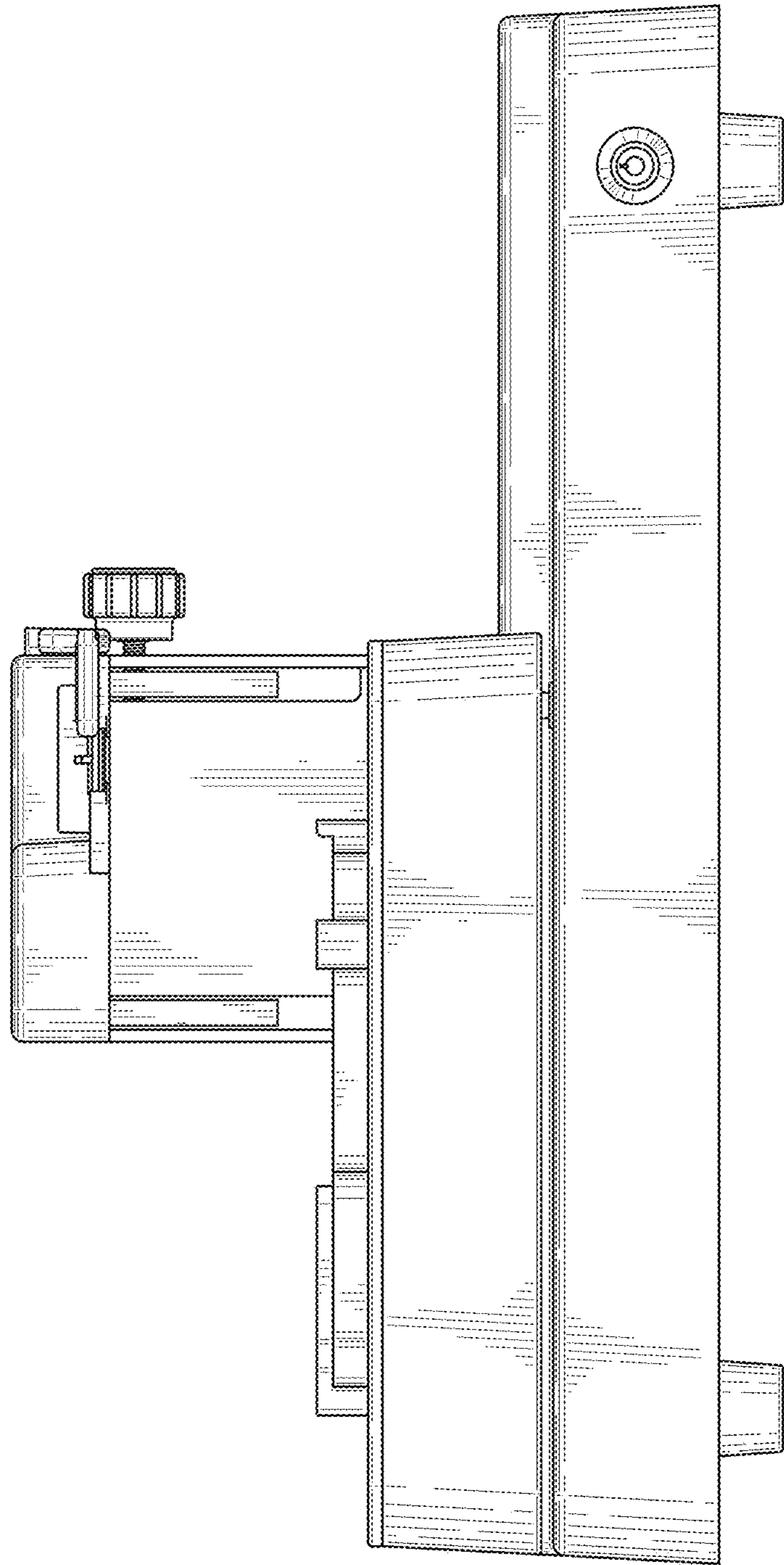


FIG. 2

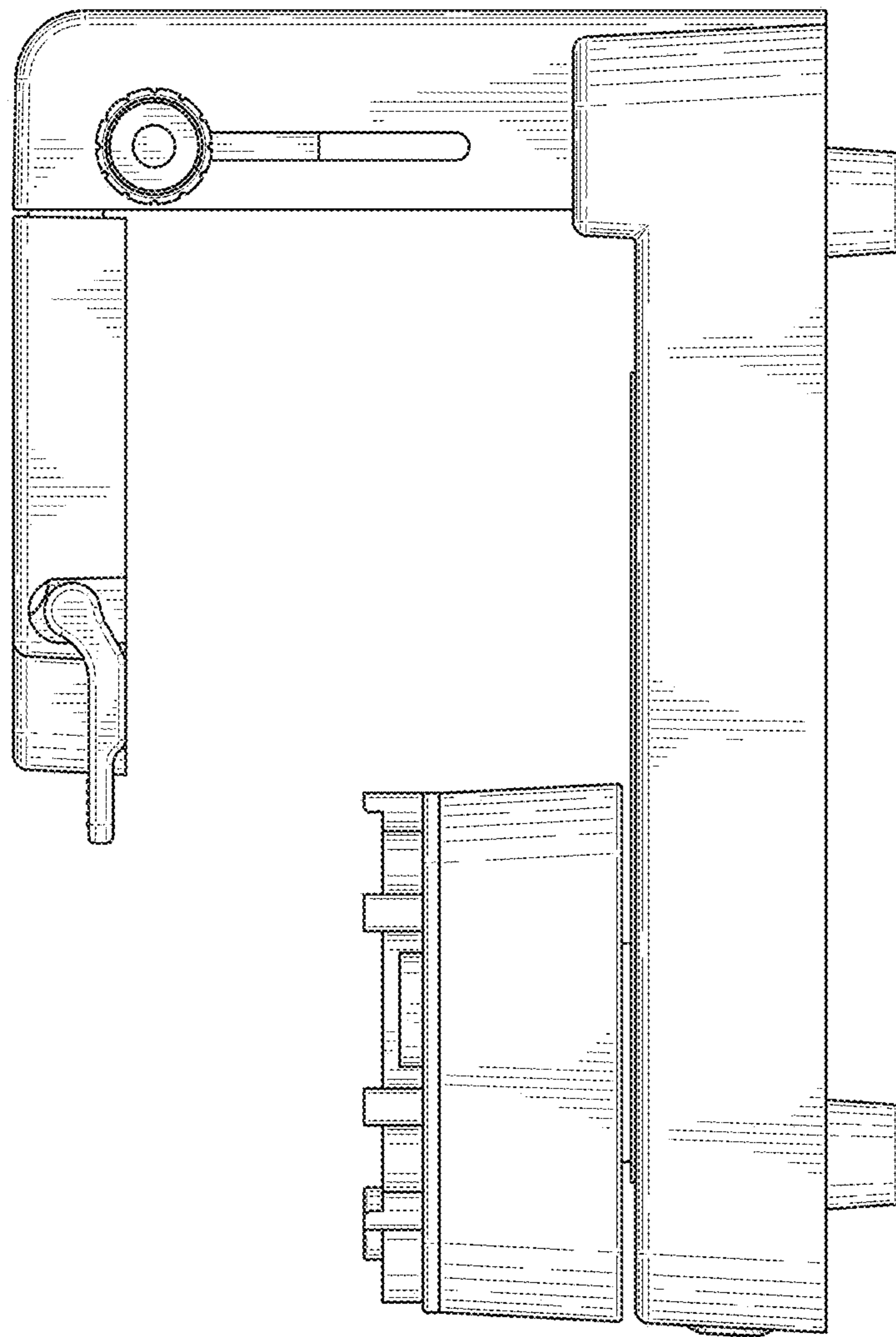


FIG. 3

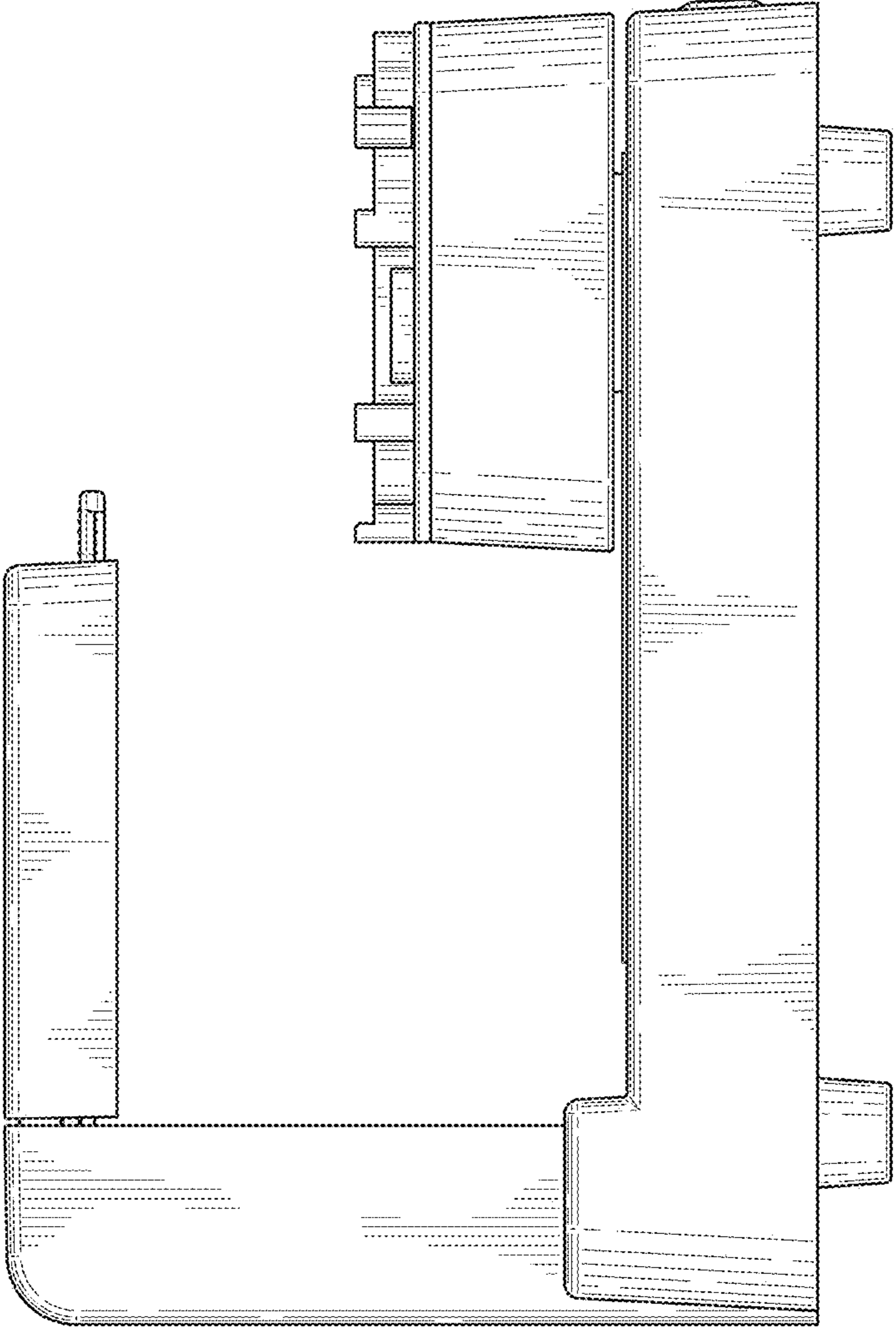


FIG. 4

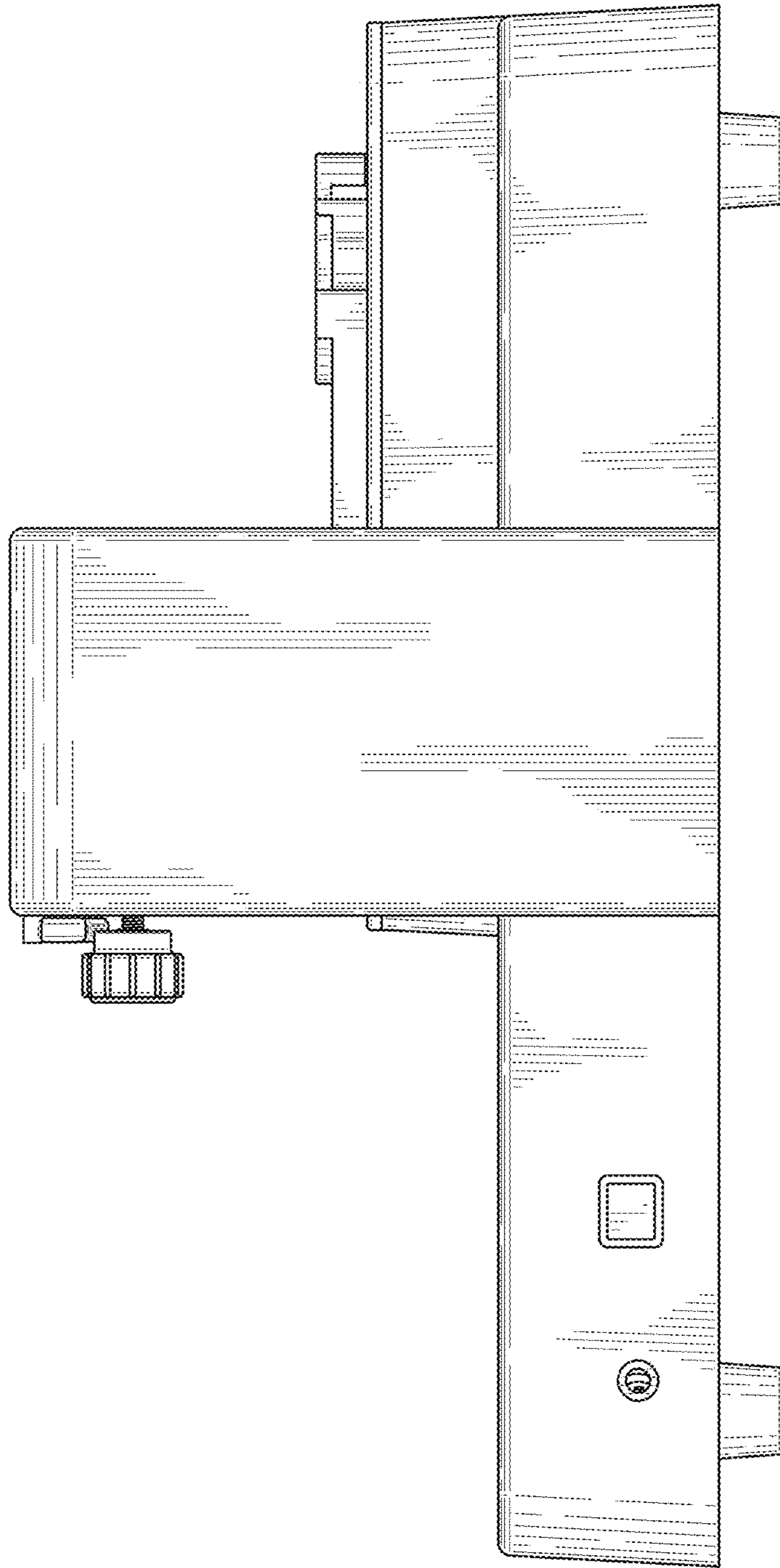


FIG. 5

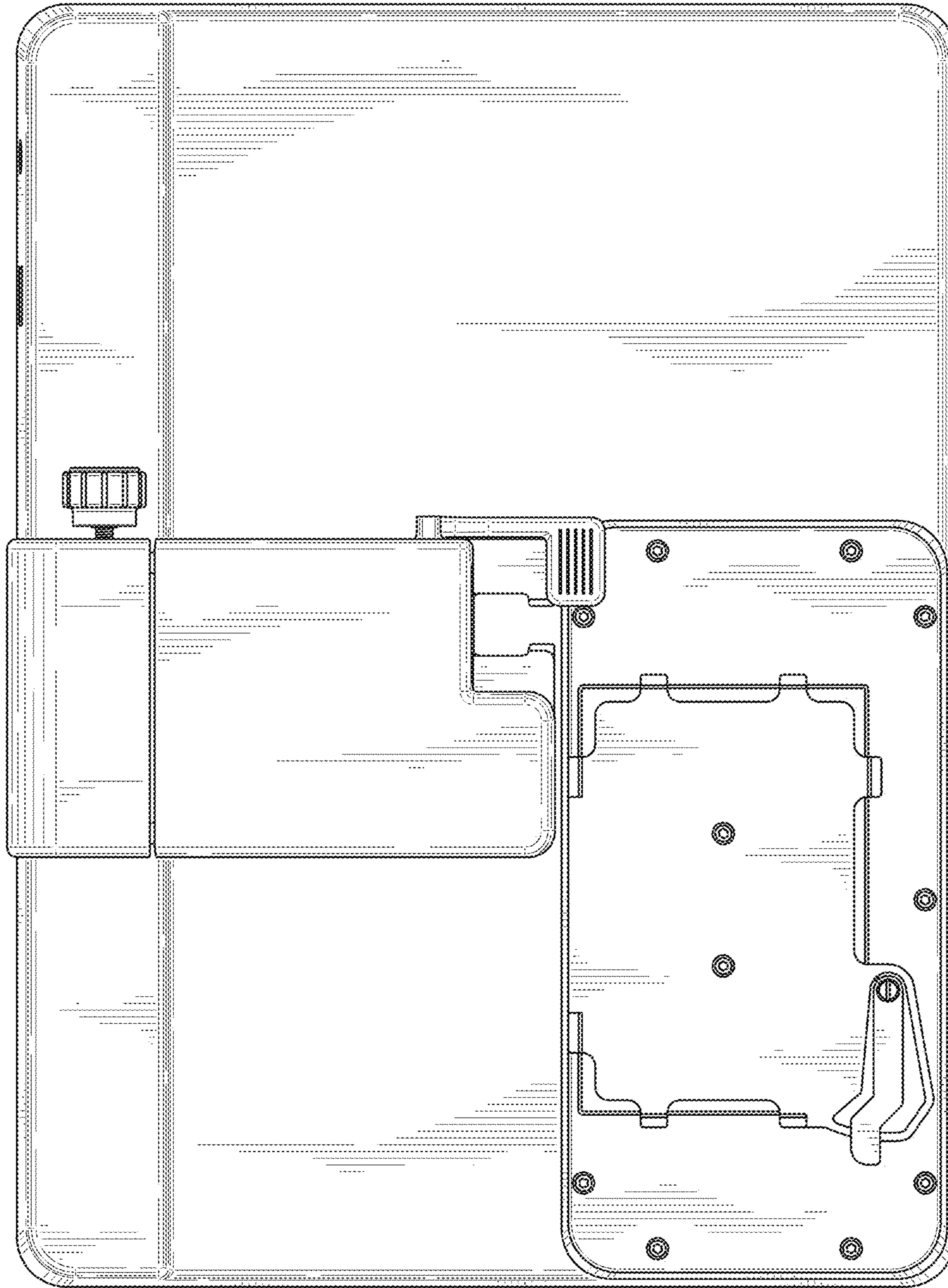


FIG. 6

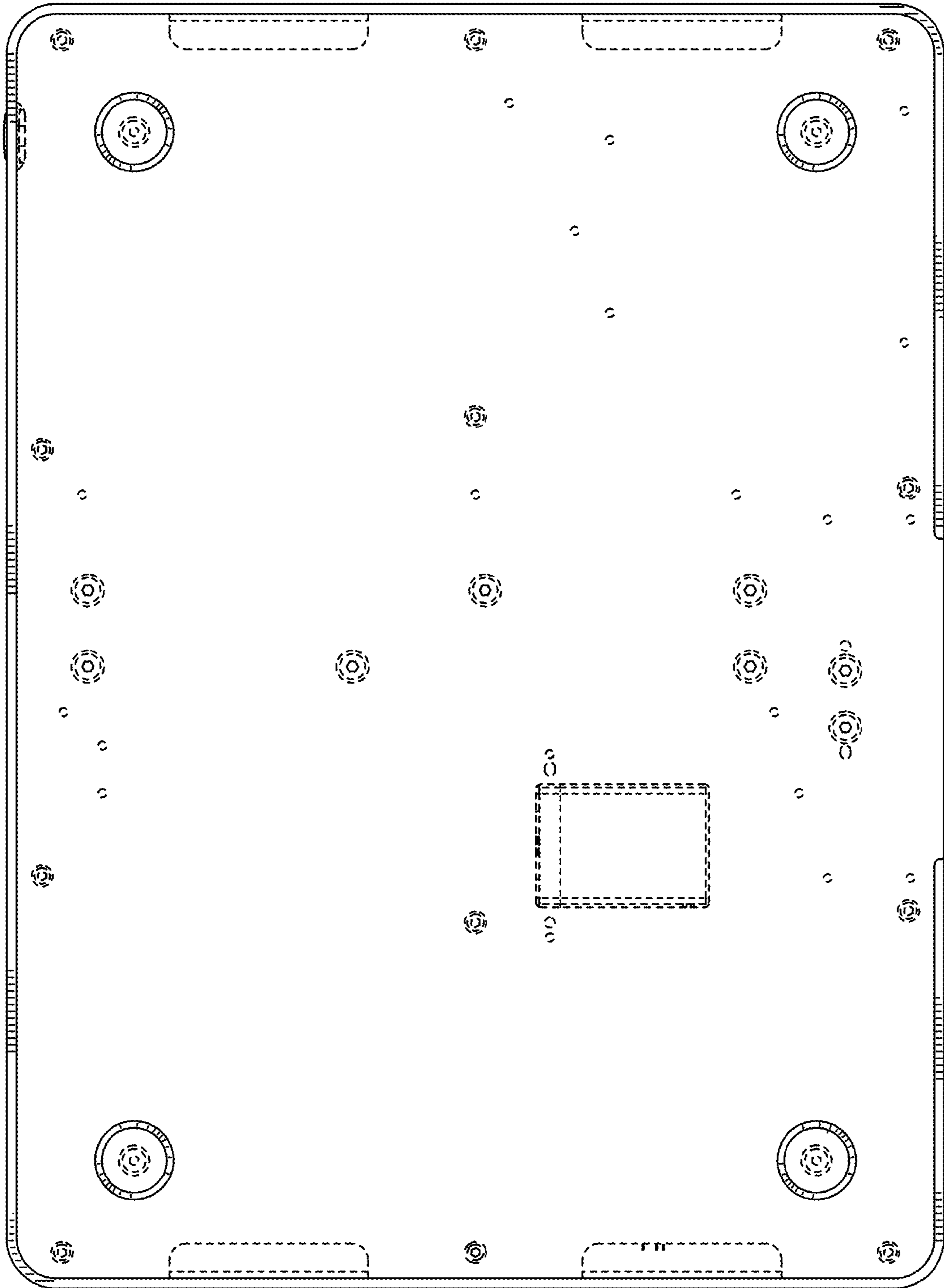


FIG. 7

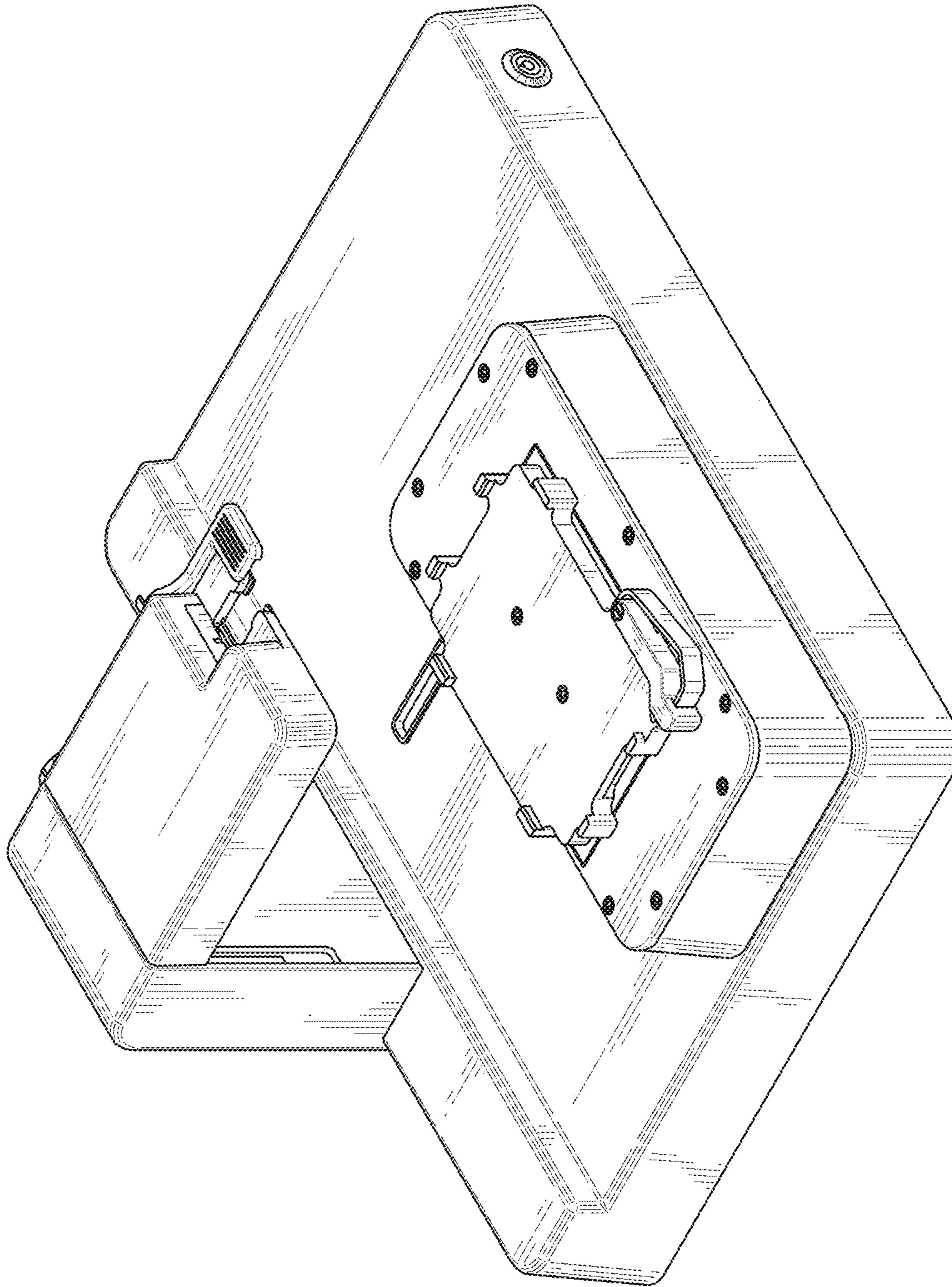


FIG. 8

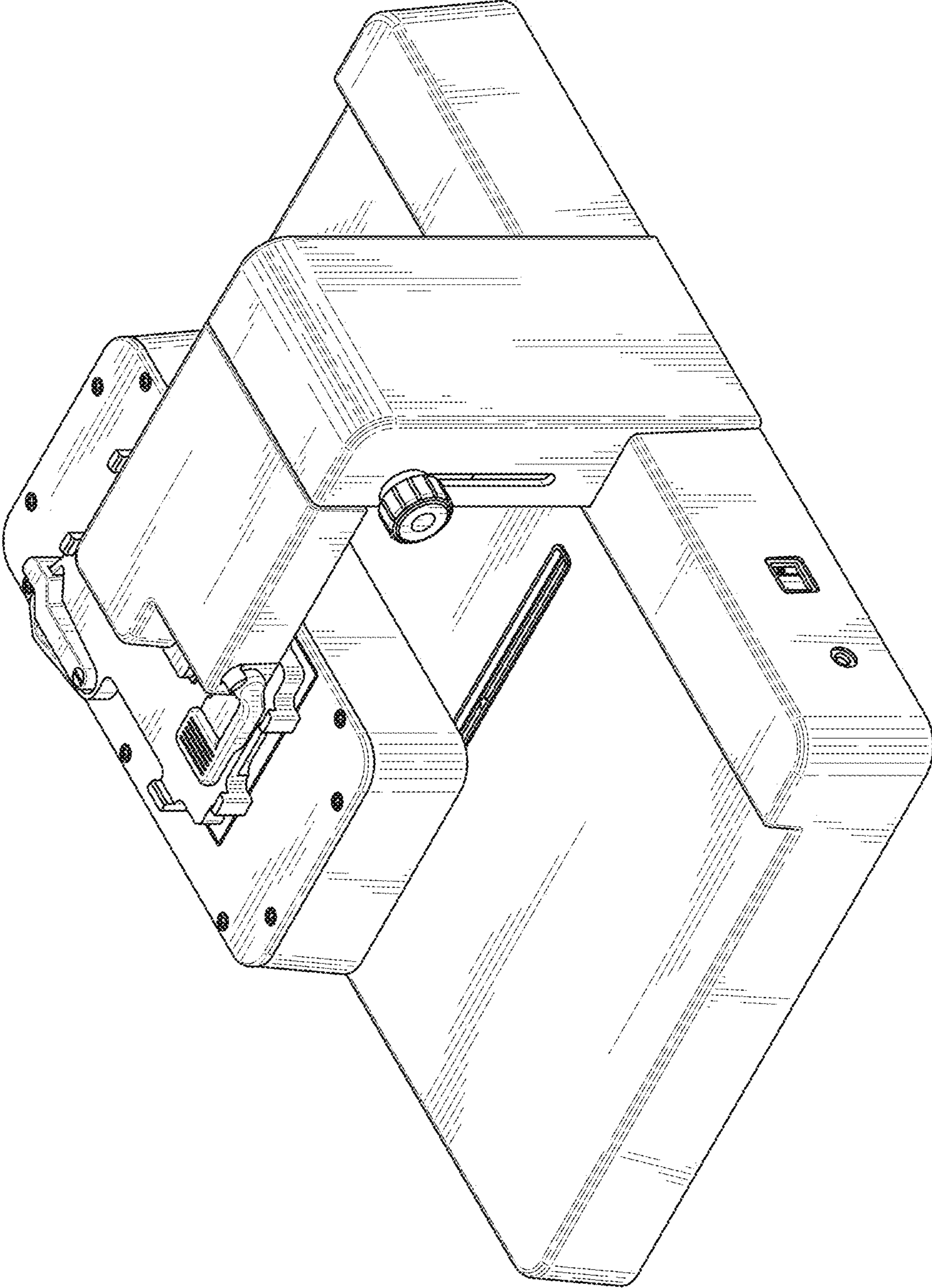


FIG. 9

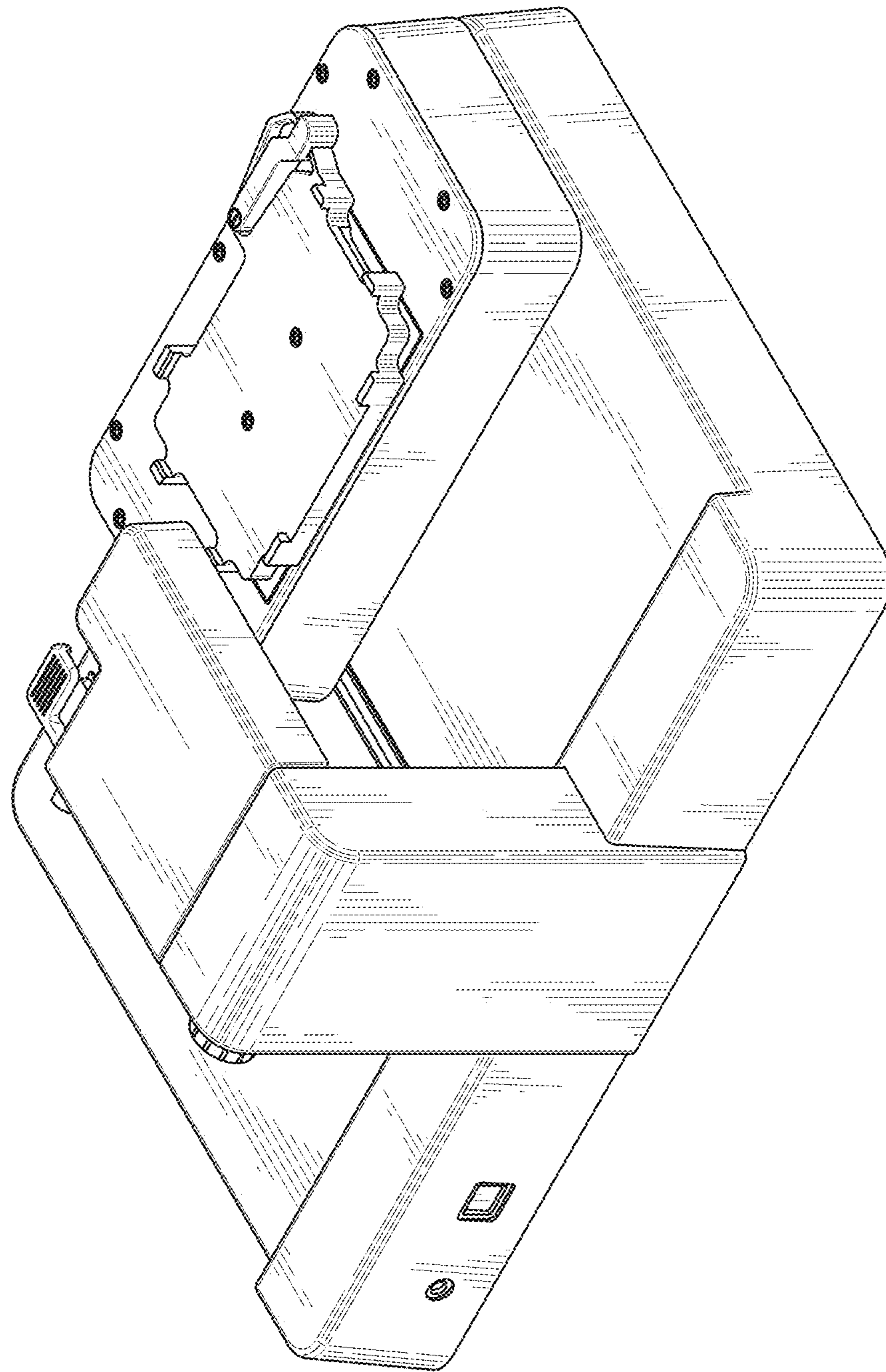


FIG. 10

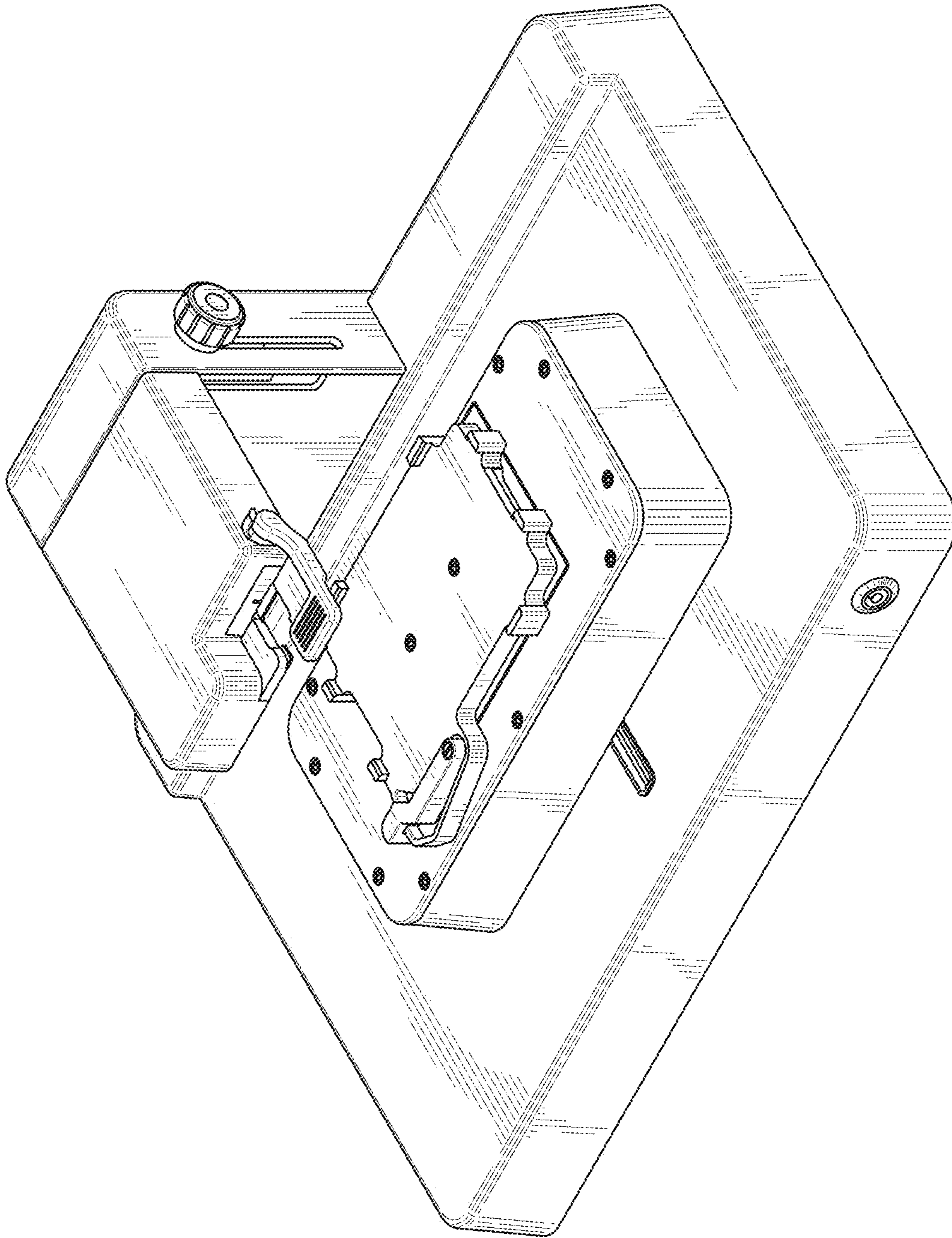


FIG. 11

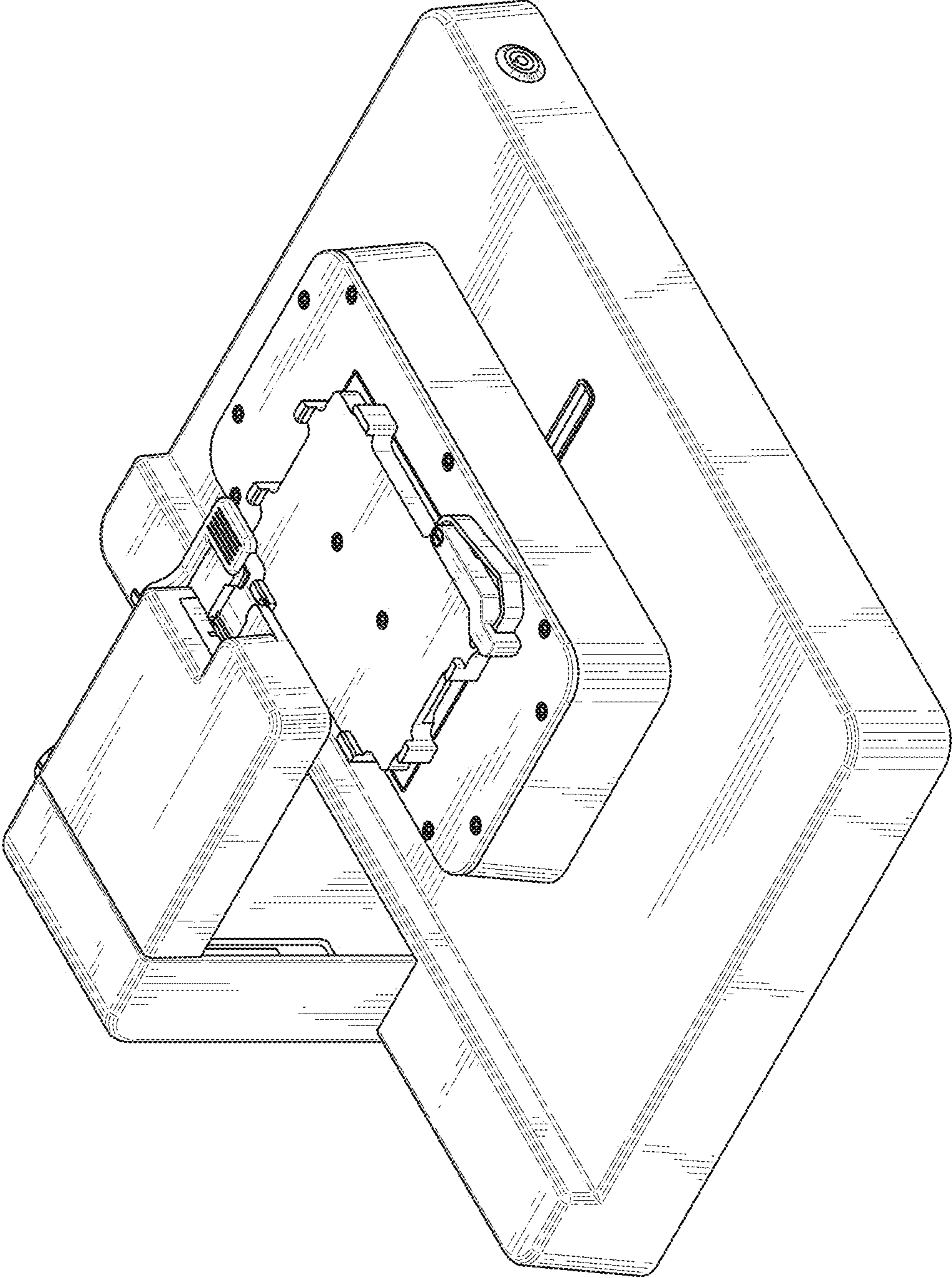


FIG. 12

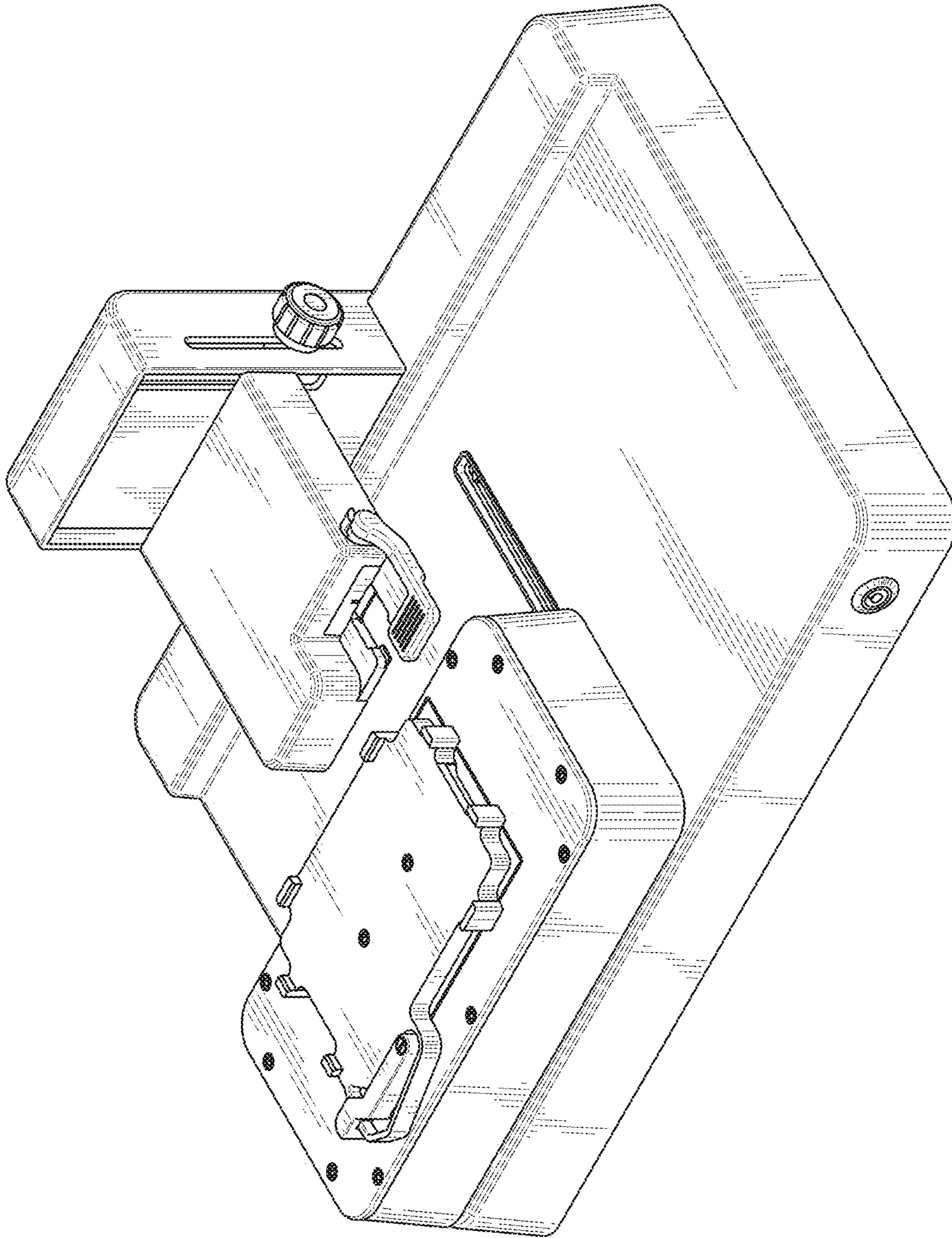


FIG. 13

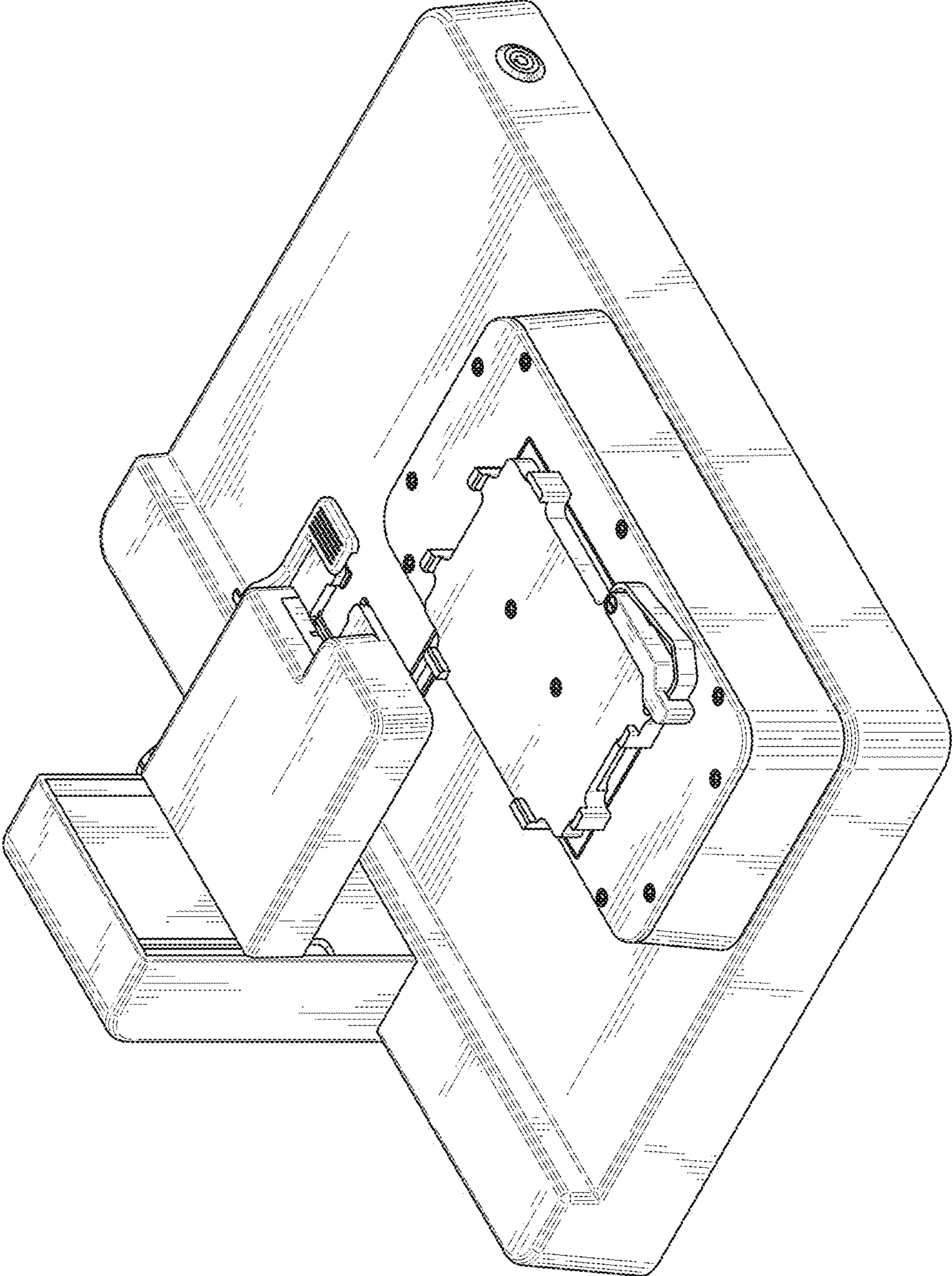


FIG. 14

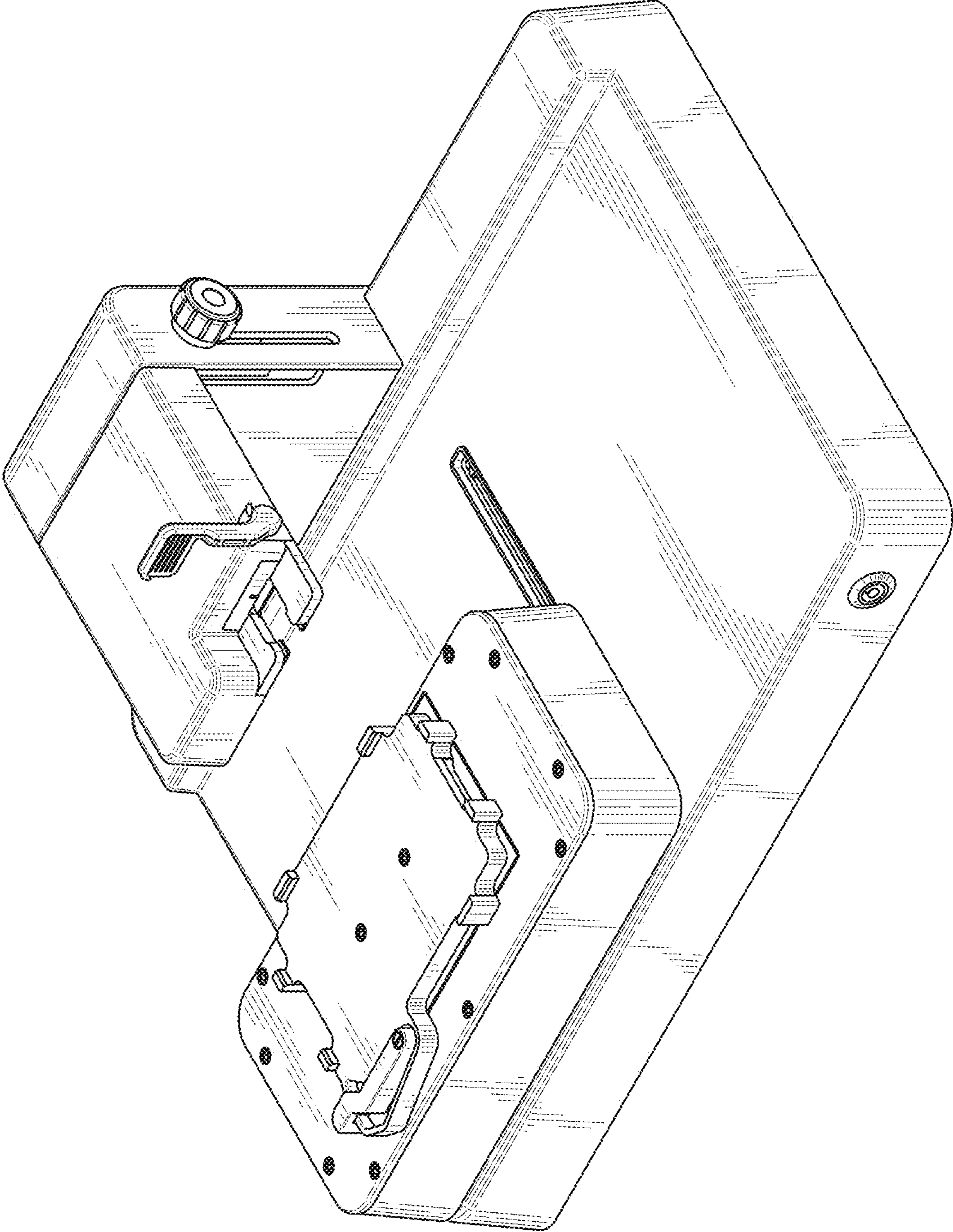


FIG. 15

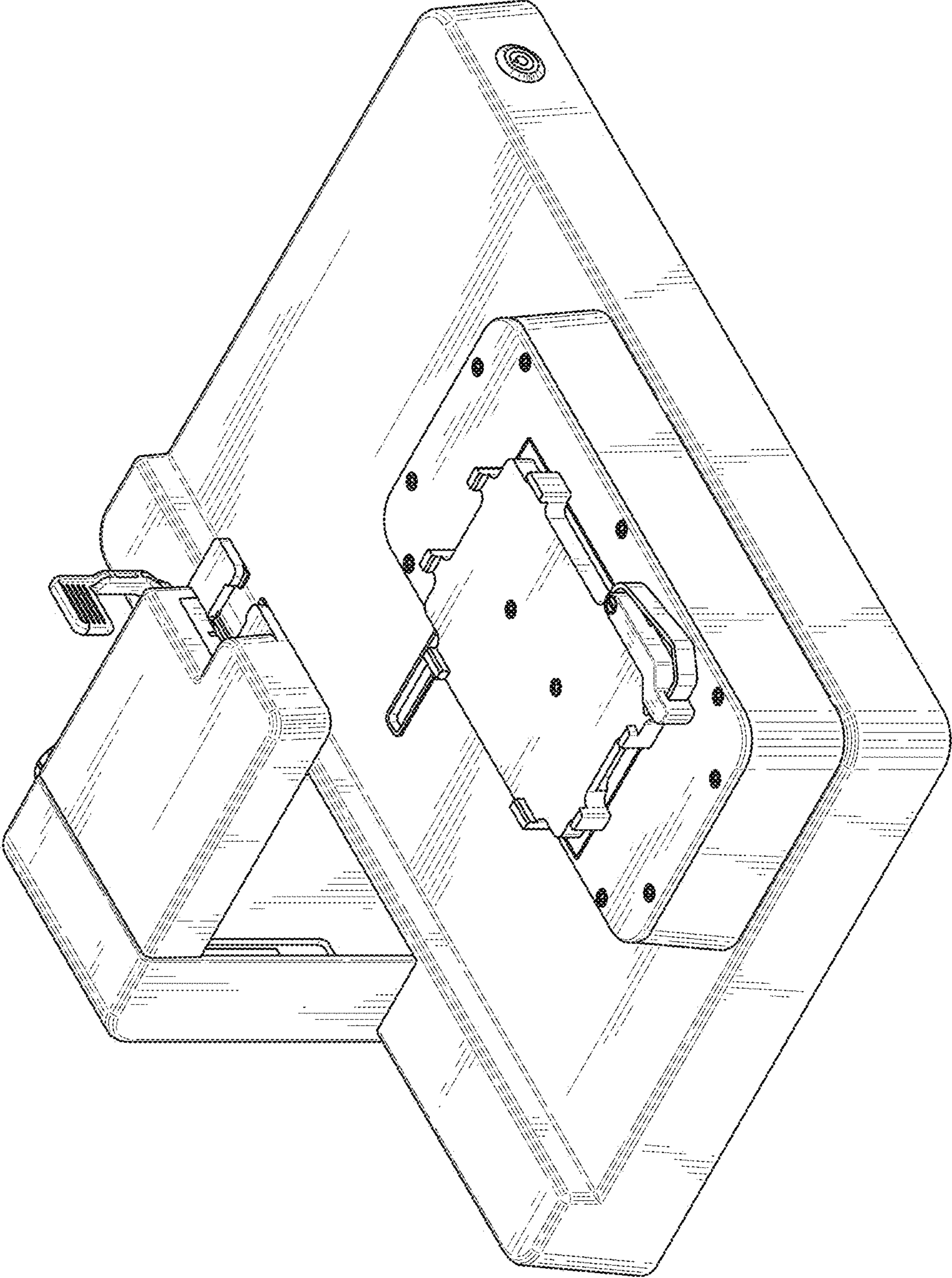


FIG. 10