



US00D917063S

(12) **United States Design Patent**
Ong et al.

(10) **Patent No.:** **US D917,063 S**

(45) **Date of Patent:** **** Apr. 20, 2021**

(54) **SAMPLE PROCESSING APPARATUS**

(71) Applicant: **Agilent Technologies, Inc.**, Santa Clara, CA (US)

(72) Inventors: **Kok Wei Ong**, Bayan Lepas (MY);
Kok Chuan Yeap, Bayan Lepas (MY);
Chai Siong Siow, Bayan Lepas (MY)

(73) Assignee: **Agilent Technologies, Inc.**, Santa Clara, CA (US)

(**) Term: **15 Years**

(21) Appl. No.: **29/714,054**

(22) Filed: **Nov. 20, 2019**

(51) **LOC (13) Cl.** **24-01**

(52) **U.S. Cl.**
USPC **D24/216**

(58) **Field of Classification Search**
USPC D24/107, 185, 186, 216–219, 231–234;
D10/81
CPC G01N 2035/00306; G01N 2035/00326;
G01N 2035/00336; G01N 2030/027;
G01N 21/6458; G01N 21/6484; G01N
21/6486; G01N 21/76; G01N 35/025
See application file for complete search history.

(56) **References Cited**

U.S. PATENT DOCUMENTS

5,443,791 A 8/1995 Richard et al.
D368,143 S * 3/1996 Willows D24/232
(Continued)

FOREIGN PATENT DOCUMENTS

CN 204672093 U 9/2015
JP 2000070755 A 3/2000
(Continued)

OTHER PUBLICATIONS

MGI Introduces Automated Sample Preparation Workstations; Streamlining Genomic Sequencing Workow—MGI; Feb. 15, 2019.

Primary Examiner — Anhdao Doan

(57) **CLAIM**

We claim the ornamental design for a sample processing apparatus, as shown and described.

DESCRIPTION

FIG. 1 is a front perspective view of a sample processing apparatus of the present invention.

FIG. 2 is a front elevation view of the sample processing apparatus of FIG. 1.

FIG. 3 is a rear elevation view of the sample processing apparatus of FIG. 1.

FIG. 4 is a left side elevation view of the sample processing apparatus of FIG. 1.

FIG. 5 is a right side elevation view of the sample processing apparatus of FIG. 1.

FIG. 6 is a top plan view of the sample processing apparatus of FIG. 1.

FIG. 7 is a bottom plan view of the sample processing apparatus of FIG. 1.

FIG. 8 is a front elevation view of the sample processing apparatus of FIG. 1 with the front cover in an open position showing the arrangement of the internal processing platform of the apparatus.

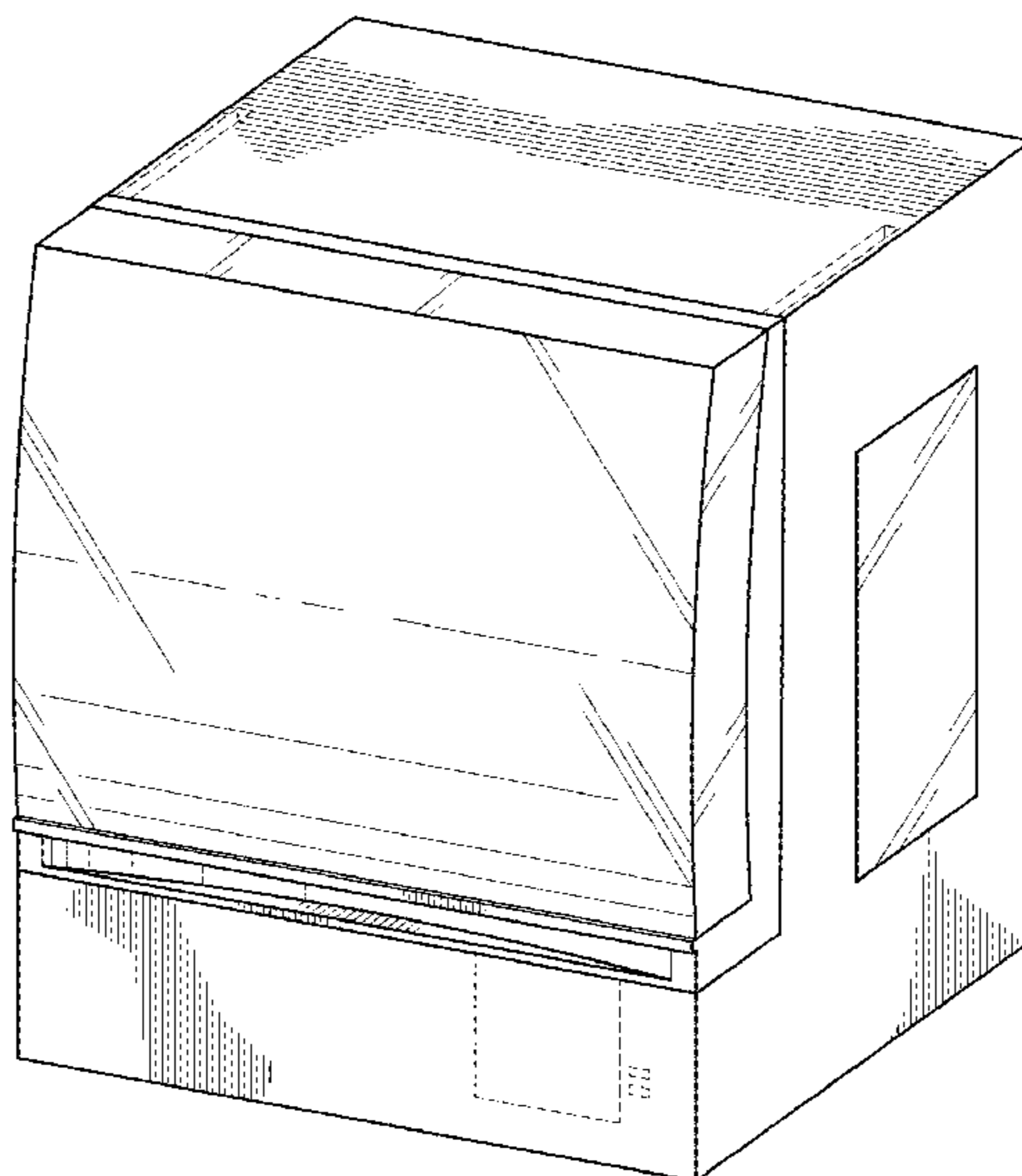
FIG. 9 a left side elevation view of the sample processing apparatus of FIG. 8.

FIG. 10 a right side elevation view of the sample processing apparatus of FIG. 8; and,

FIG. 11 is a cross-sectional plan of the sample processing apparatus of FIG. 8 taken along line 11-11 of FIG. 8 further showing the arrangement of the internal processing platform of the apparatus.

In the drawings, the broken lines depict portions of the sample processing apparatus that form no part of the claimed design.

1 Claim, 8 Drawing Sheets



(56)

References Cited

U.S. PATENT DOCUMENTS

6,086,737 A * 7/2000 Patonay C12Q 1/6869
204/452

6,193,892 B1 2/2001 Krueger et al.

6,368,561 B1 4/2002 Rutishauser et al.

6,906,292 B2 6/2005 Weinfield et al.

7,264,111 B2 9/2007 Veiner

7,338,199 B2 3/2008 Hafner

D599,234 S * 9/2009 Ito D10/81

D621,523 S * 8/2010 Onuma D24/234

7,776,221 B2 8/2010 Brassard

D653,764 S * 2/2012 Macemon D24/216

8,161,831 B2 4/2012 Fukuma

8,393,781 B2 3/2013 Manera et al.

8,573,071 B2 11/2013 Krueger et al.

8,691,149 B2 4/2014 Fritchie et al.

8,984,968 B2 3/2015 Bonk et al.

9,134,333 B2 9/2015 Kuwano et al.

9,140,634 B1 9/2015 Knippschild et al.

9,260,763 B2 2/2016 Thomas et al.

9,335,338 B2 5/2016 Ochraneck et al.

9,618,139 B2 4/2017 Handique et al.

D794,211 S * 8/2017 Ang D24/232

D796,056 S * 8/2017 Saito D24/232

10,399,048 B2 9/2019 Siow et al.

D874,017 S * 1/2020 Jenoski D24/216

D888,267 S * 6/2020 Salomon D24/216

D890,361 S * 7/2020 Nuesch D24/232

2007/0110617 A1 5/2007 Nagai et al.

2007/0177457 A1 8/2007 Hafner

2009/0040866 A1 2/2009 Rollin et al.

2010/0173394 A1 7/2010 Colston, Jr. et al.

2011/0071039 A1* 3/2011 Kumar G01N 21/76
506/9

2011/0088491 A1 4/2011 Krueger et al.

2015/0079586 A1 3/2015 Keller et al.

2015/0226759 A1* 8/2015 Connolly G01N 35/025
435/287.3

2016/0061714 A1* 3/2016 Matsuura G01N 35/04
29/402.08

2017/0128946 A1 5/2017 Williams et al.

2018/0001285 A1 1/2018 Sung et al.

FOREIGN PATENT DOCUMENTS

JP 2004283728 A 10/2004

JP 2007097470 A 4/2007

JP 2013508685 A 3/2013

WO 2011047233 A1 4/2011

* cited by examiner

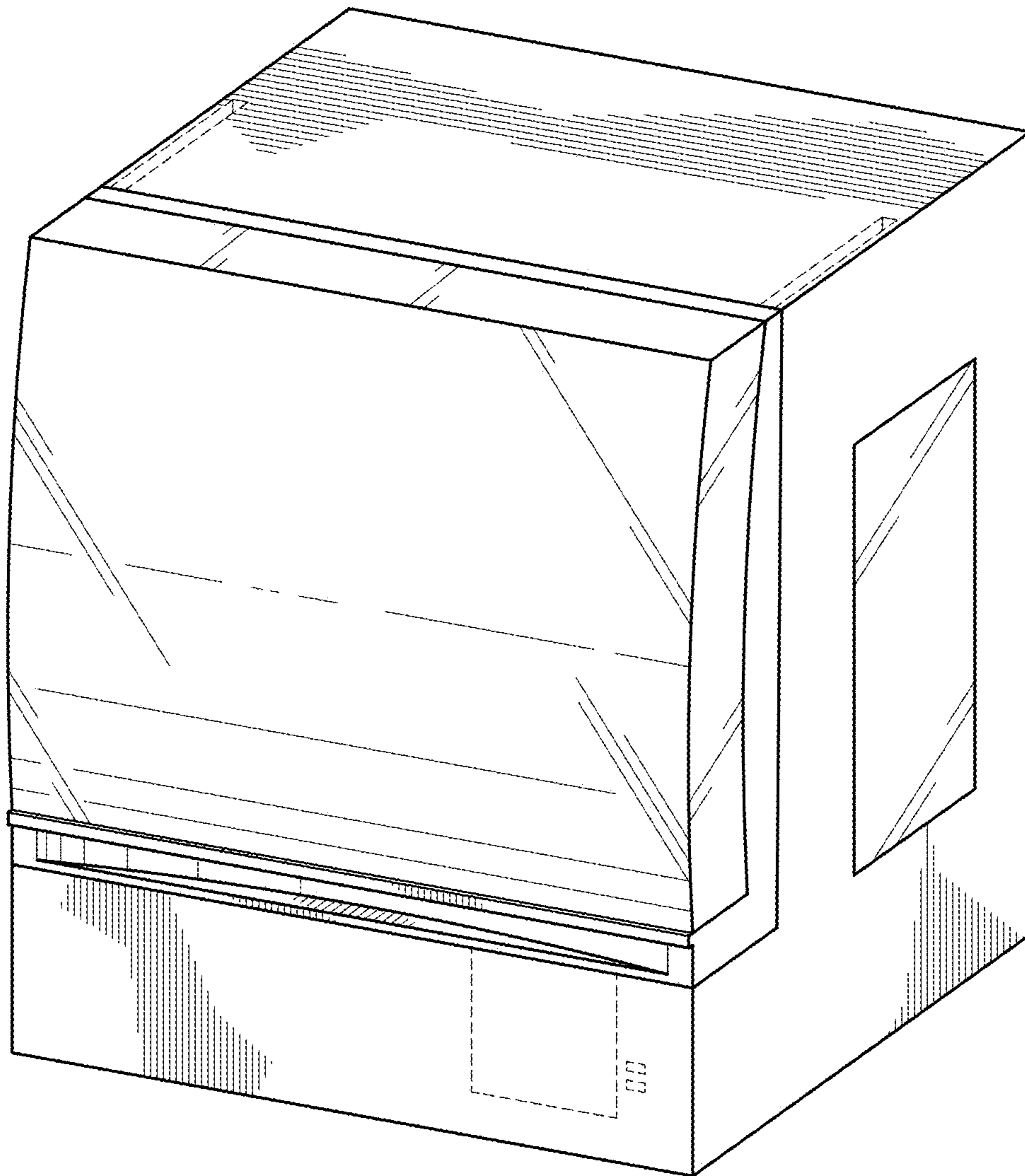


FIG. 1

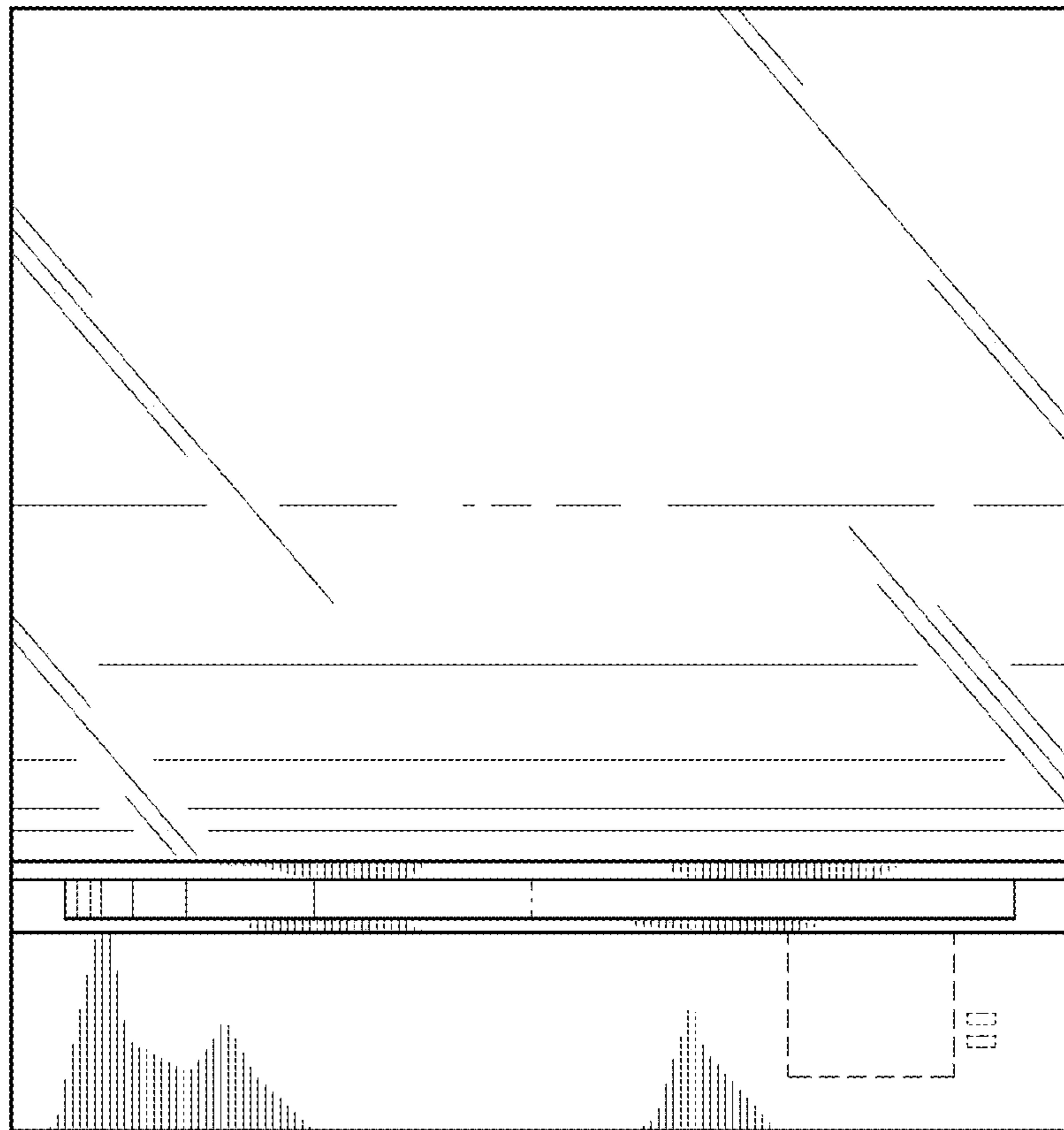


FIG. 2

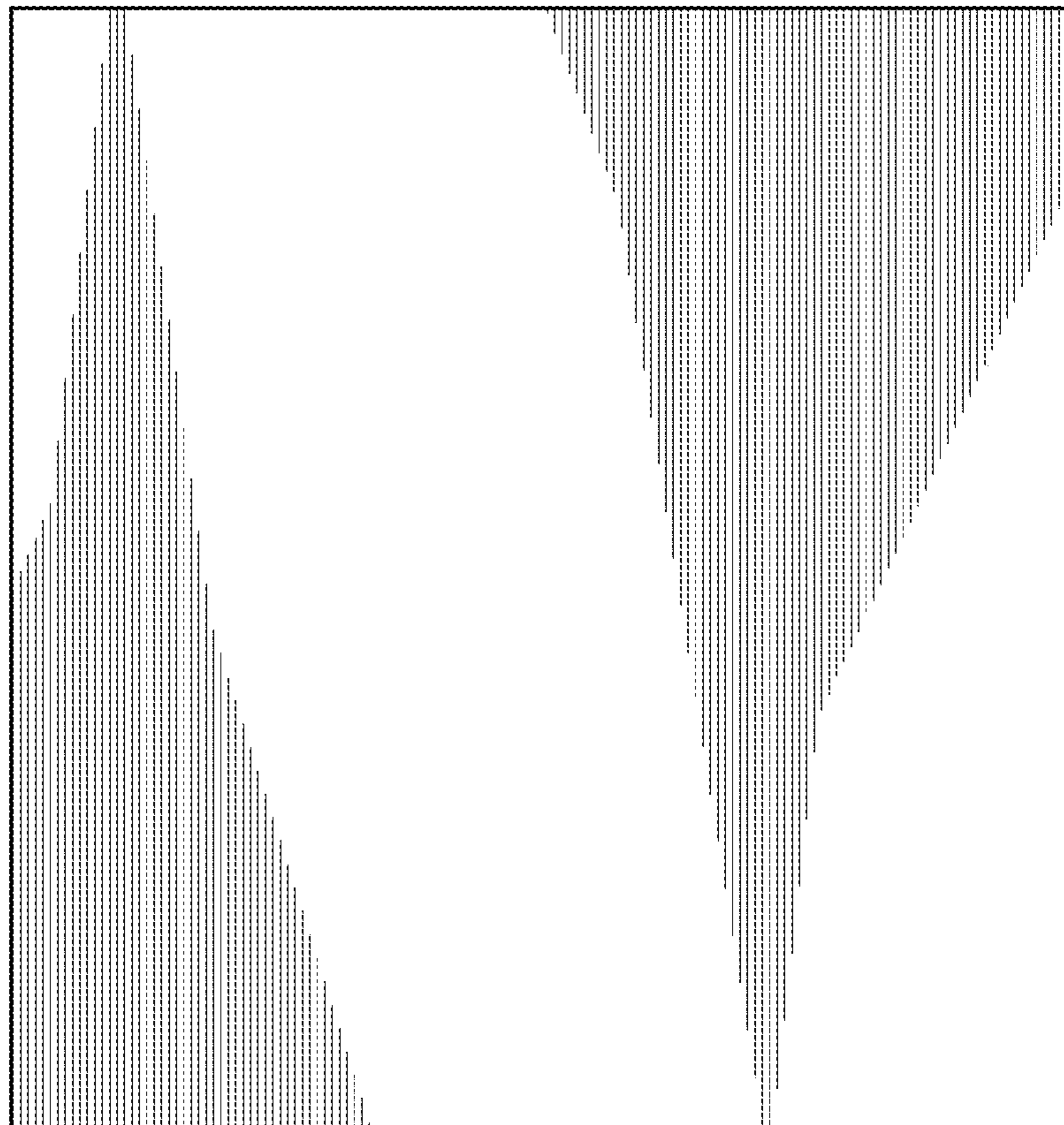


FIG. 3

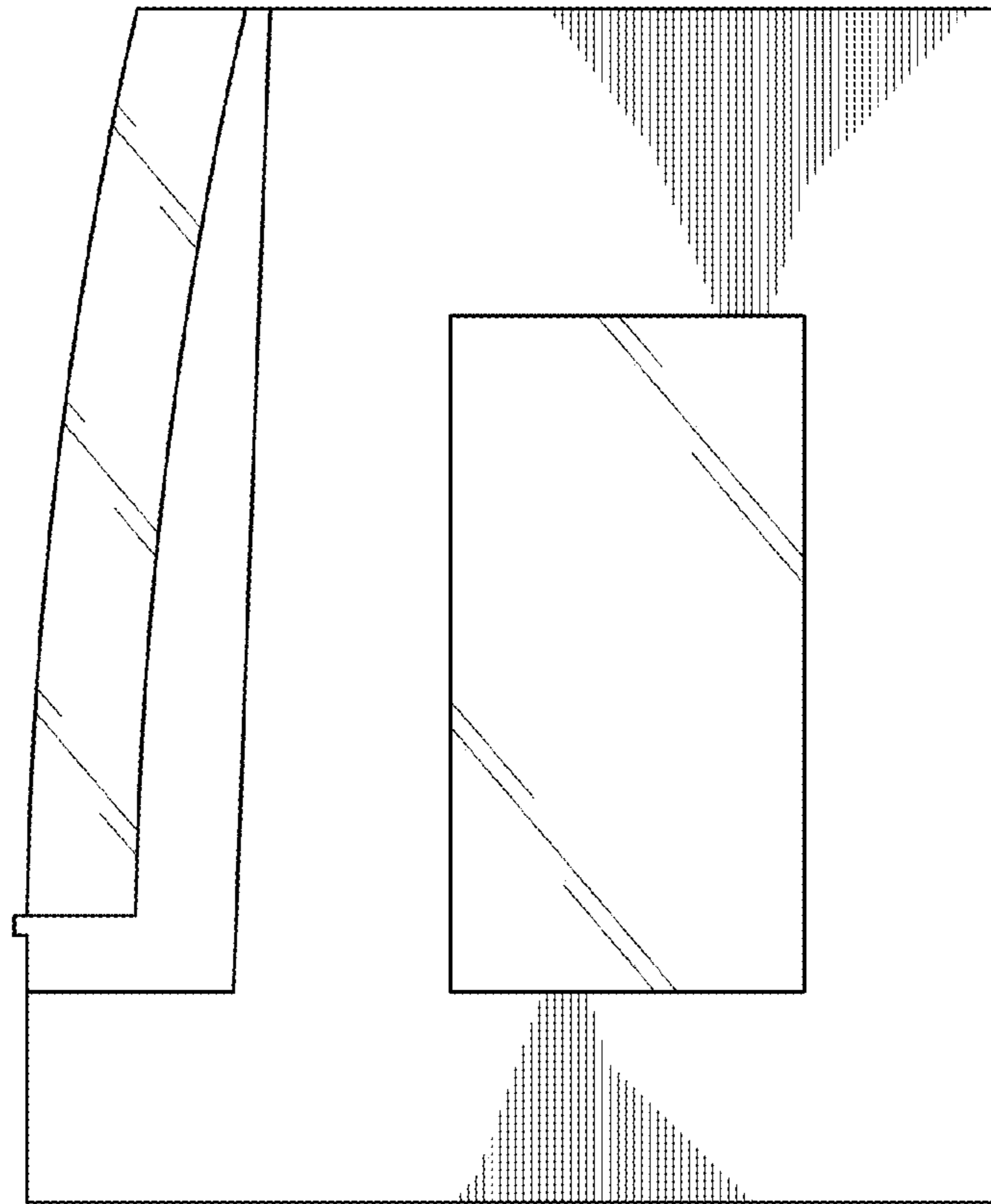


FIG. 4

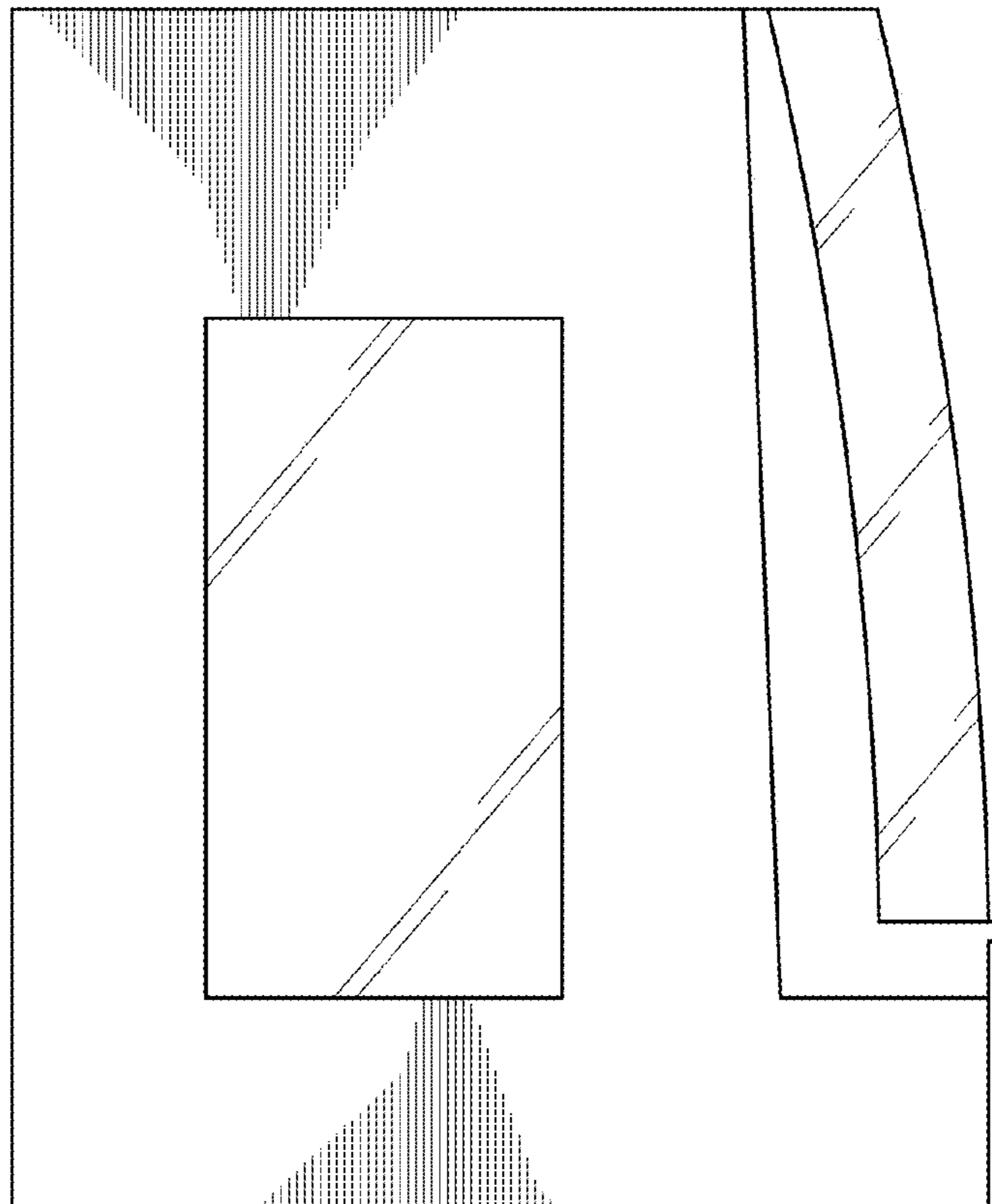


FIG. 5

FIG. 6

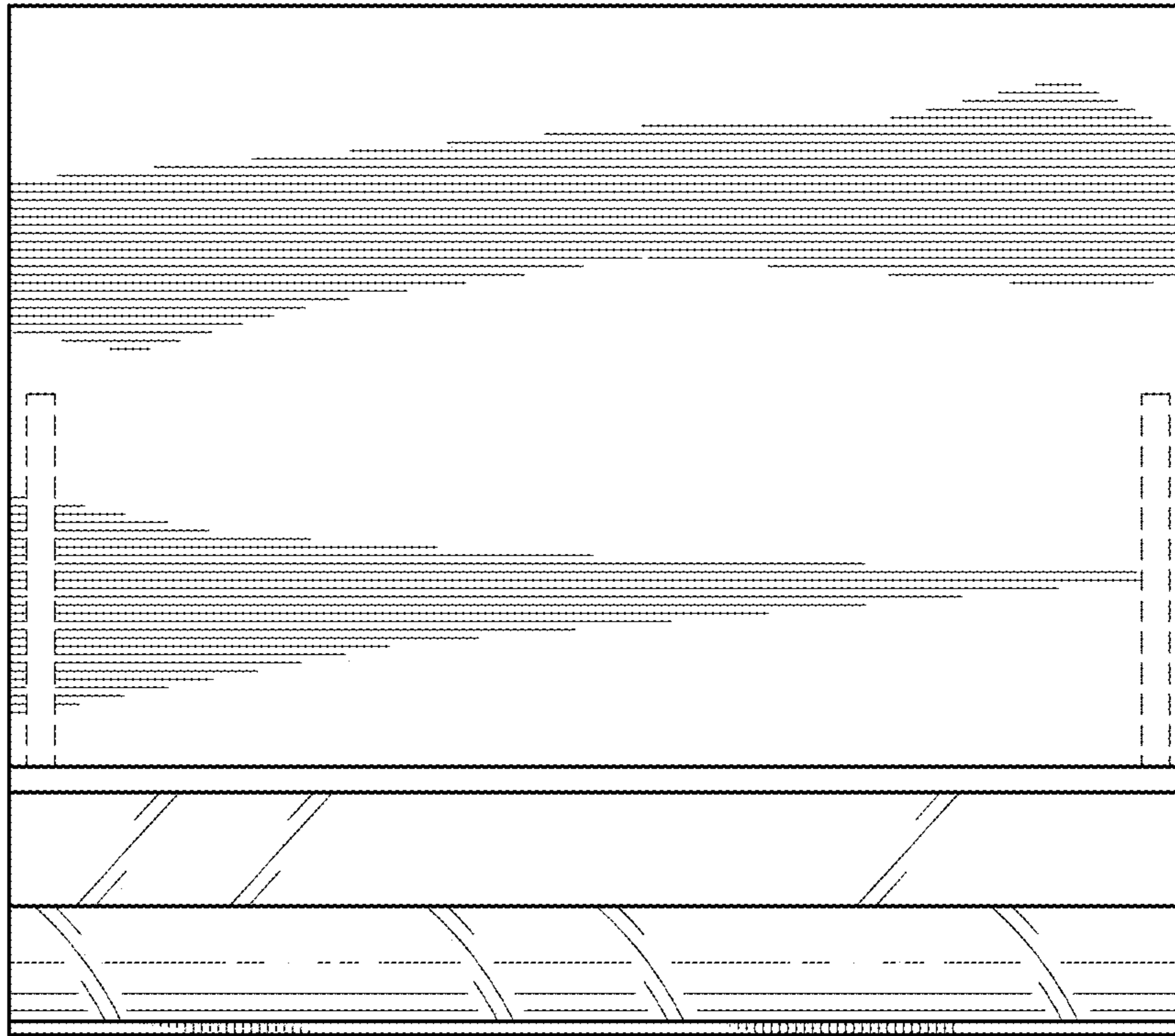
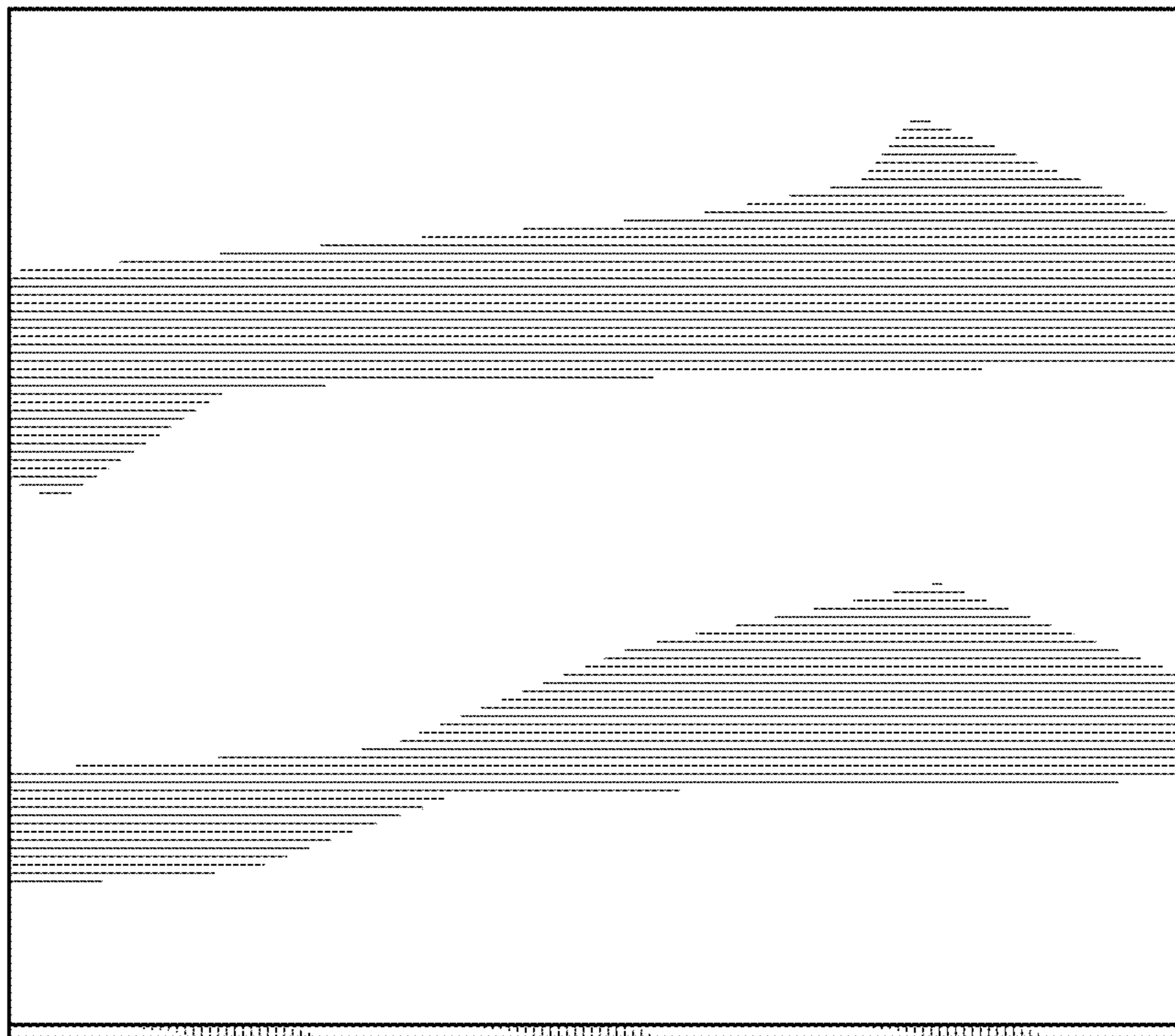


FIG. 7



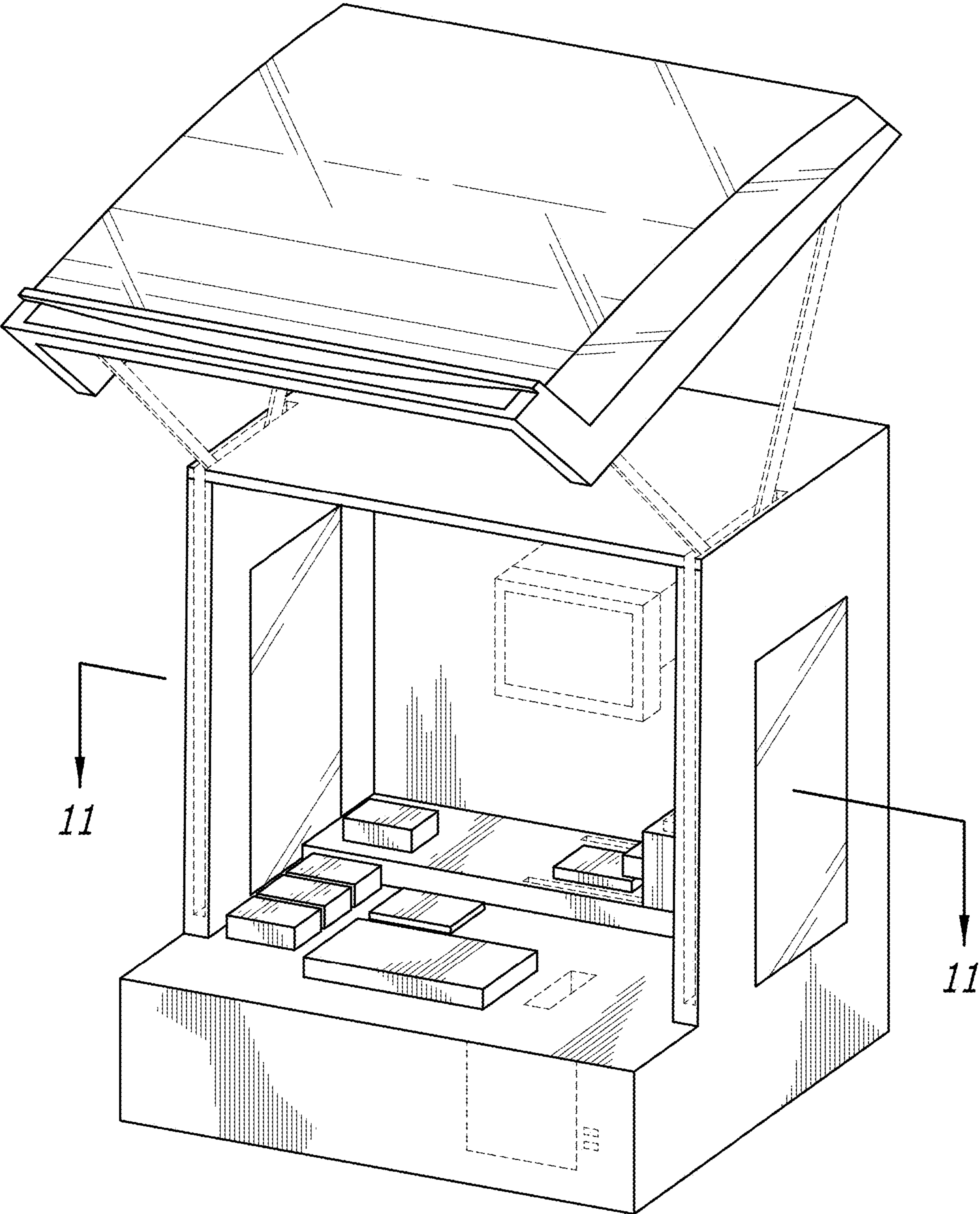


FIG. 8

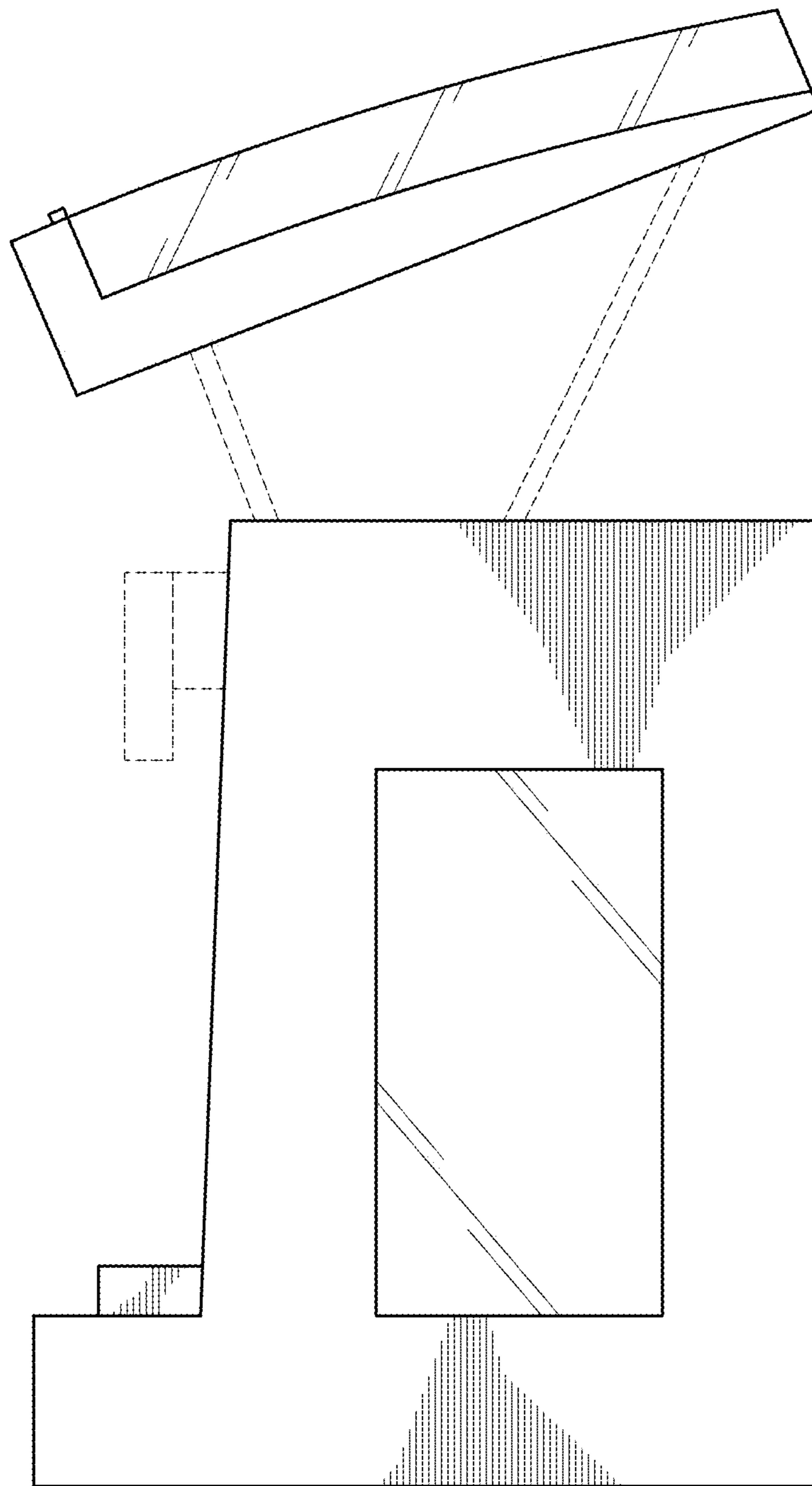


FIG. 9

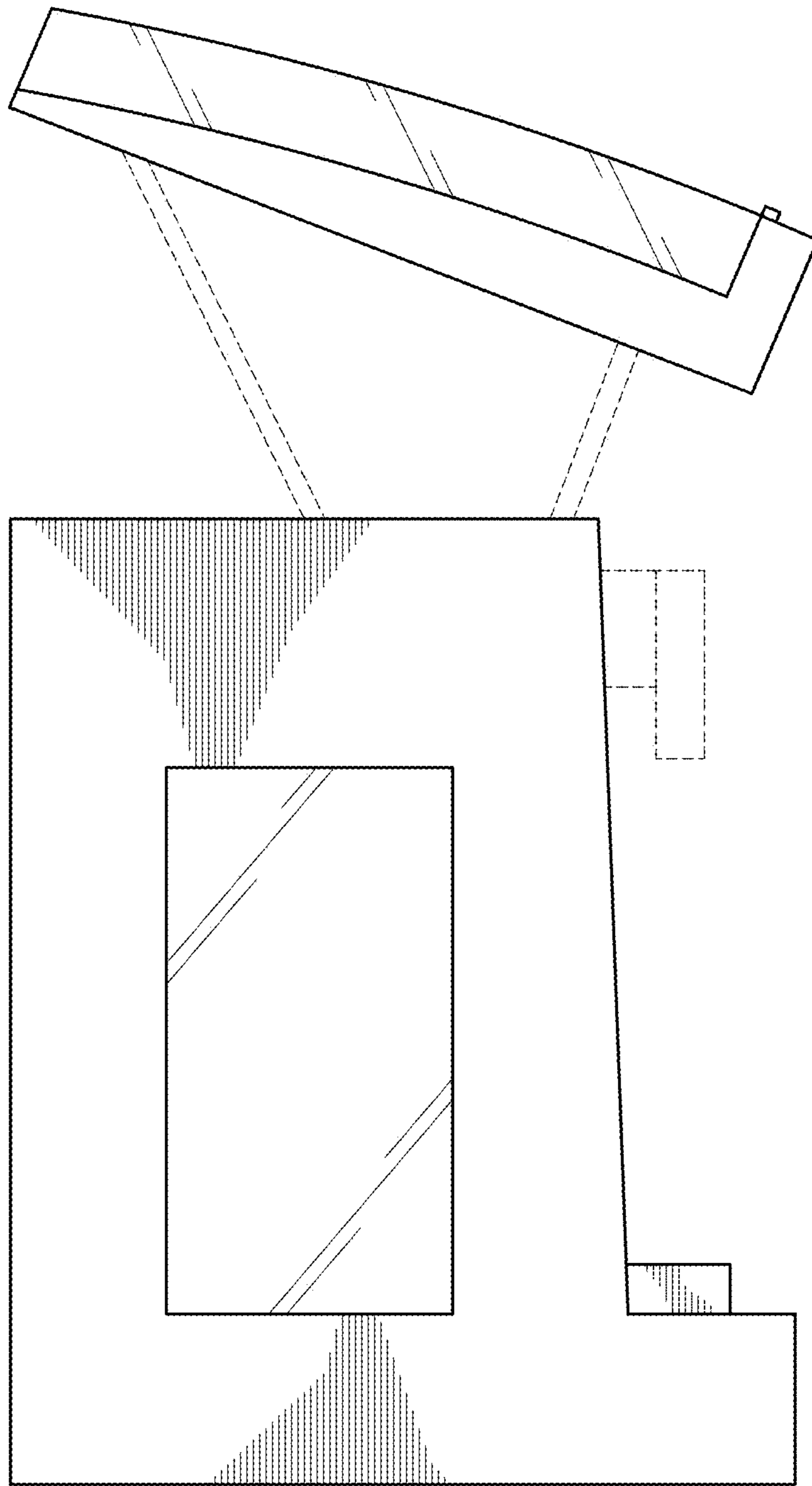


FIG. 10

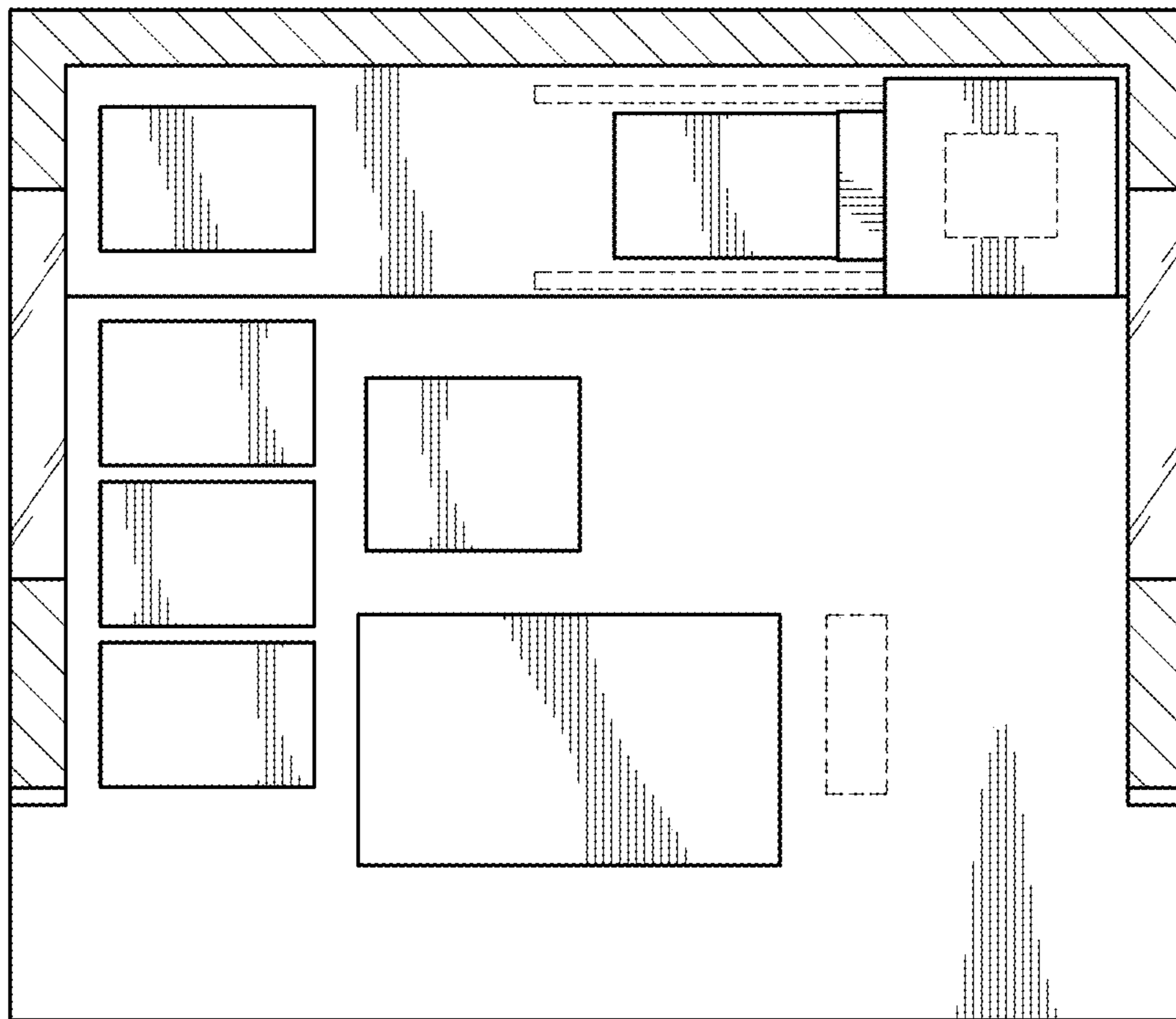


FIG. 11