



US00D917056S

(12) **United States Design Patent**  
**Motomura**

(10) **Patent No.:** **US D917,056 S**

(45) **Date of Patent:** **\*\* Apr. 20, 2021**

(54) **FOOT MASSAGER**

(71) Applicant: **KENKO LIFE CORPORATION,**  
Fukuoka (JP)

(72) Inventor: **Shinsuke Motomura,** Fukuoka (JP)

(73) Assignee: **KENKO LIFE CORPORATION,**  
Fukuoka (JP)

(\*\*) Term: **15 Years**

(21) Appl. No.: **29/714,793**

(22) Filed: **Nov. 26, 2019**

(30) **Foreign Application Priority Data**

Jul. 22, 2019 (JP) ..... 2019-016358

(51) **LOC (13) Cl.** ..... **28-03**

(52) **U.S. Cl.**  
USPC ..... **D24/213**

(58) **Field of Classification Search**  
USPC ..... D24/200, 211, 212, 213, 214, 215;  
D21/662, 671, 685, 686, 694  
CPC ..... A61H 2205/12; A61H 2205/125; A61H  
2201/1692; A61H 7/007; A63B 21/4033;  
A63B 23/10  
See application file for complete search history.

(56) **References Cited**

**U.S. PATENT DOCUMENTS**

- 1,949,906 A \* 3/1934 Hess ..... A63B 23/10  
482/79
- 1,978,244 A \* 10/1934 Bach ..... A63B 23/10  
606/237
- 2,638,088 A \* 5/1953 Johnson ..... A63B 23/10  
601/28
- 4,831,676 A \* 5/1989 Denmark ..... A61H 13/00  
15/104.93
- D390,020 S \* 2/1998 Huang ..... D24/212
- D443,064 S \* 5/2001 Persson ..... D24/188

- D444,560 S \* 7/2001 Berglund ..... D24/188
- D596,750 S \* 7/2009 Lev ..... D24/212
- D622,405 S \* 8/2010 Tuli ..... D24/213
- D625,021 S \* 10/2010 Stoddard ..... D24/212
- D664,256 S \* 7/2012 Dennewald ..... D24/183
- D665,503 S \* 8/2012 Dennewald ..... D24/183
- D694,415 S \* 11/2013 Viner ..... D24/213
- D736,397 S \* 8/2015 McAviney ..... D24/211

(Continued)

**FOREIGN PATENT DOCUMENTS**

- CN 300767147 S 4/2008
- CN 301679508 S 9/2011

(Continued)

**OTHER PUBLICATIONS**

Amazon, "Solemender Foot Massager", Oct. 20, 2018. [https://www.amazon.com/Solemender-Foot-Massager-Plantar-Fasciitis/dp/B076GWK168/ref=cm\\_cr\\_arp\\_d\\_product\\_top?ie=UTF8](https://www.amazon.com/Solemender-Foot-Massager-Plantar-Fasciitis/dp/B076GWK168/ref=cm_cr_arp_d_product_top?ie=UTF8). Shown on p. 1. (Year: 2018).\*

(Continued)

*Primary Examiner* — Cynthia Ramirez  
*Assistant Examiner* — Michael A Maharajh  
(74) *Attorney, Agent, or Firm* — Pearne & Gordon LLP

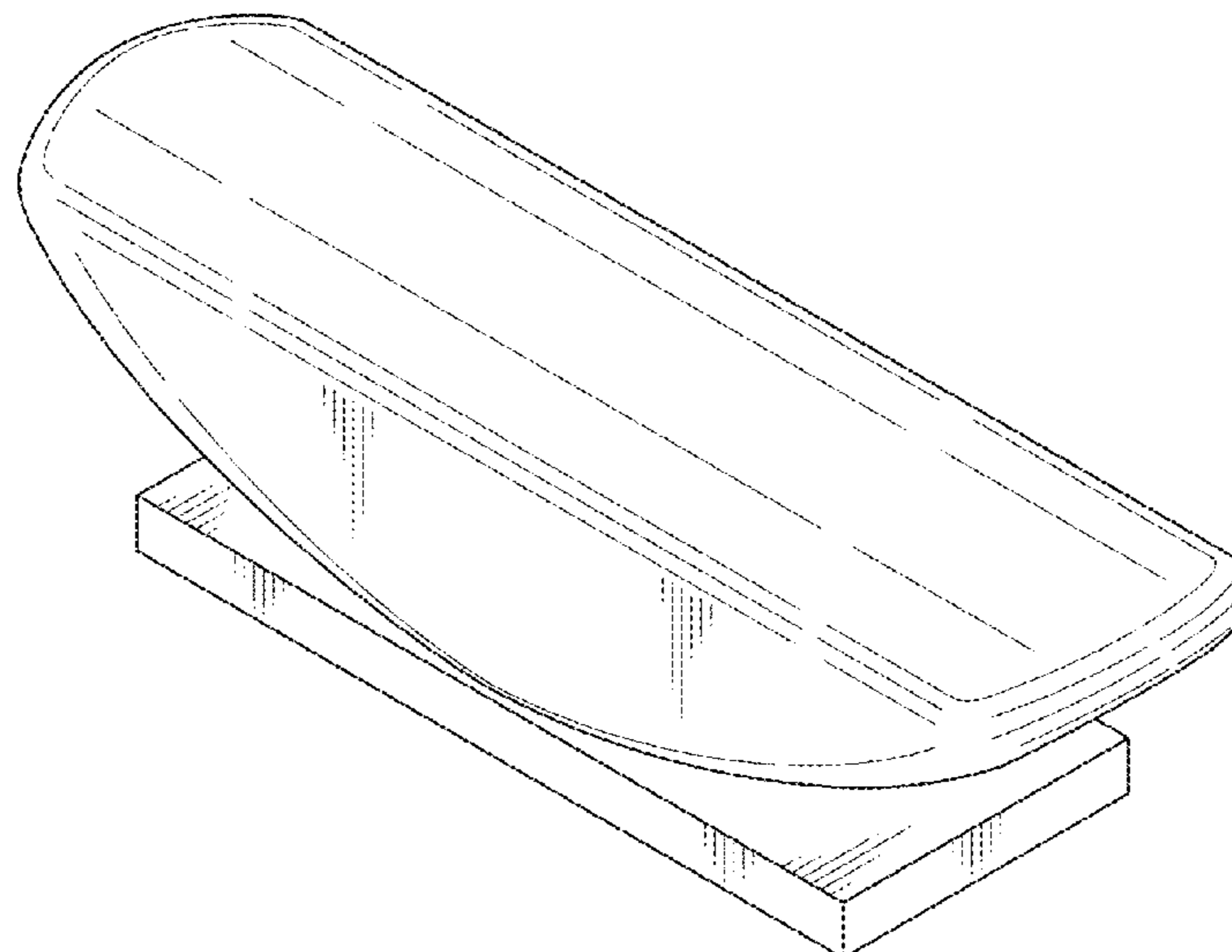
(57) **CLAIM**

The ornamental design for a foot massager, as shown and described.

**DESCRIPTION**

FIG. 1 is a perspective view of a foot massager showing my new design;  
FIG. 2 is a front view thereof;  
FIG. 3 is a rear view thereof;  
FIG. 4 is a left side view thereof;  
FIG. 5 is a right side view thereof;  
FIG. 6 is a top plan view thereof; and,  
FIG. 7 is a bottom view thereof.

**1 Claim, 7 Drawing Sheets**



(56)

**References Cited**

U.S. PATENT DOCUMENTS

D739,036 S \* 9/2015 McAviney ..... D24/211  
D781,435 S \* 3/2017 Eastman ..... D24/213  
9,775,770 B2 \* 10/2017 Eastman ..... A61H 23/02  
D851,187 S \* 6/2019 Leier ..... D21/694  
D854,178 S \* 7/2019 Cochard ..... D24/214  
D859,664 S \* 9/2019 Dennewald ..... D24/183  
10,441,496 B1 \* 10/2019 Cohen ..... A61H 15/02  
D880,628 S \* 4/2020 McHenry ..... D21/686  
2013/0029815 A1 \* 1/2013 Lu ..... A63B 26/003  
482/142  
2015/0238348 A1 \* 8/2015 Kamat ..... A61H 15/00  
601/19  
2018/0104095 A1 \* 4/2018 Kamat ..... A61H 15/02  
2018/0256441 A1 \* 9/2018 Smith ..... A61H 15/00  
2019/0192331 A1 \* 6/2019 Zhong ..... A61H 1/0274  
2020/0029749 A1 \* 1/2020 Wade ..... A47K 7/026

FOREIGN PATENT DOCUMENTS

JP D1628055 S 3/2019  
JP D1628056 S 3/2019  
JP D1628054 S 4/2019

OTHER PUBLICATIONS

European Union Intellectual Property Office, Certificate of Registration for Application No. 005844255-0001 dated May 12, 2018.

\* cited by examiner

FIG. 1

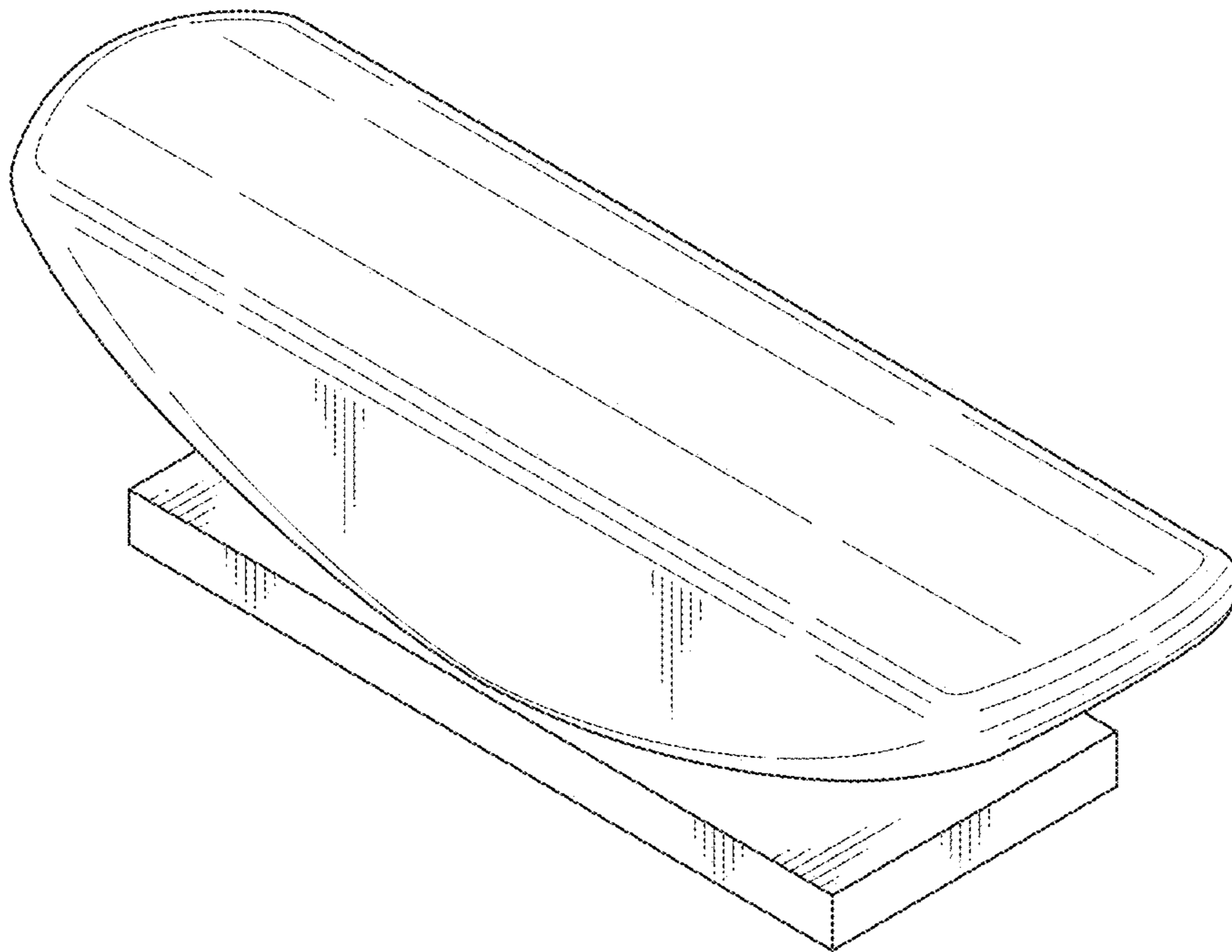


FIG. 2

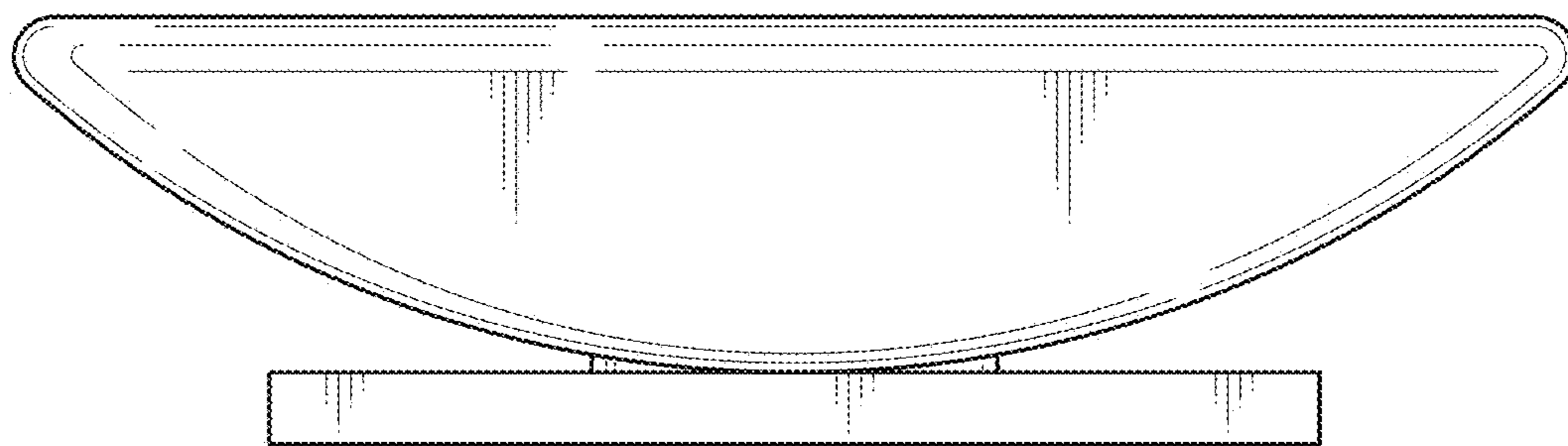


FIG. 3

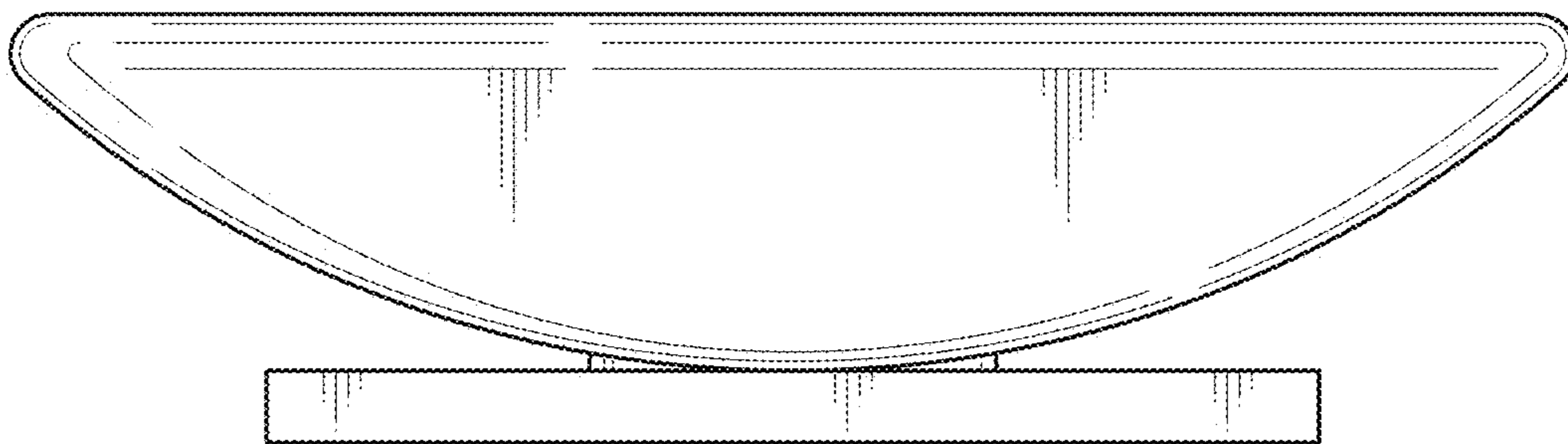


FIG. 4

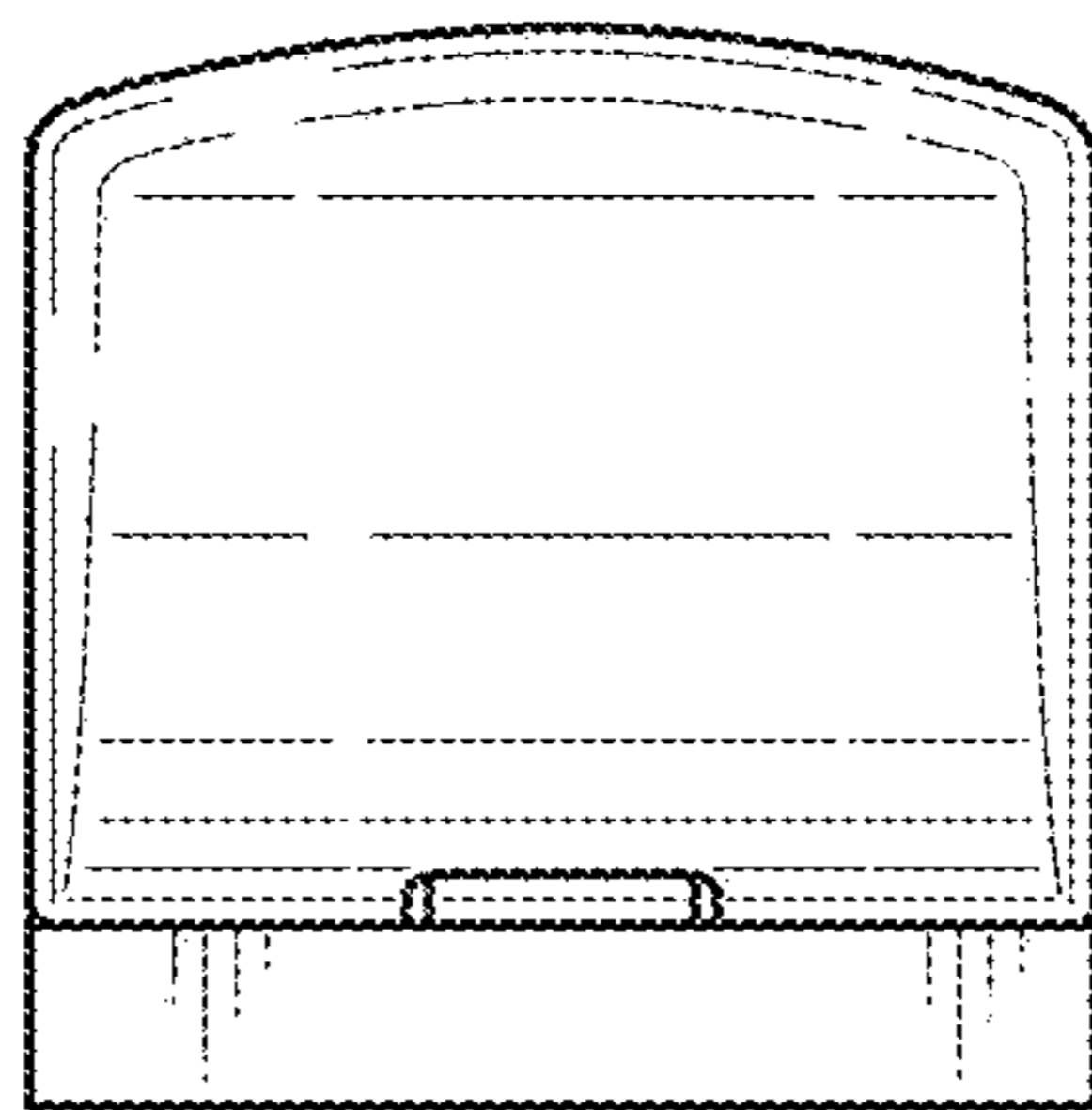


FIG. 5

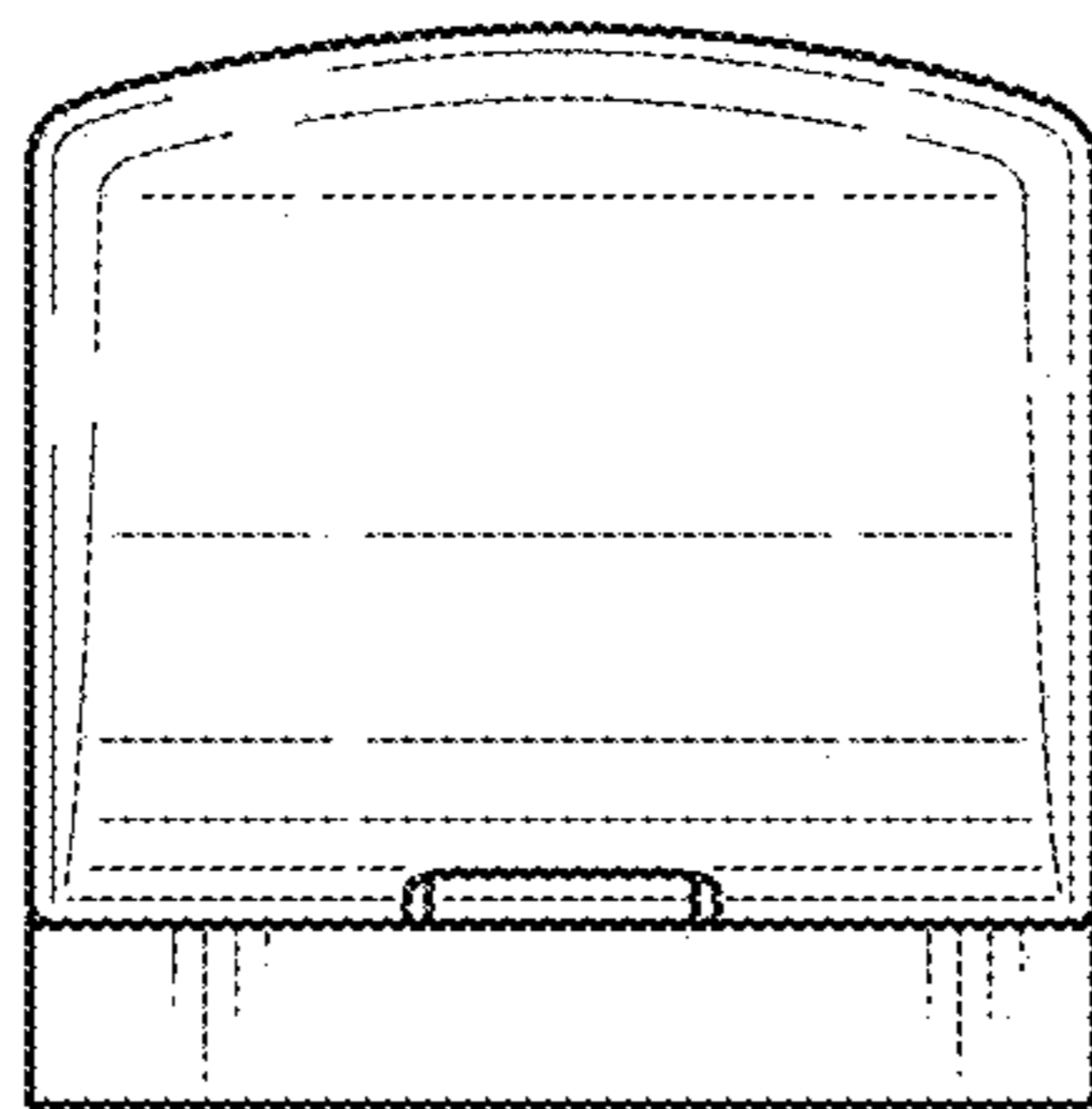


FIG. 6

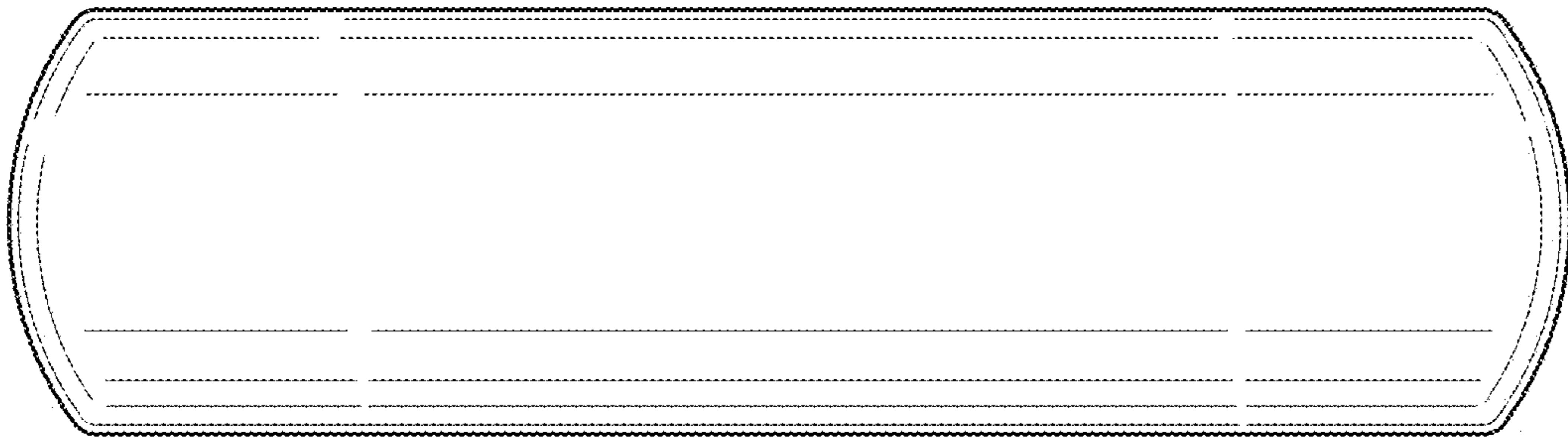




FIG. 7

