



US00D917054S

(12) **United States Design Patent**
Woo

(10) **Patent No.:** **US D917,054 S**
(45) **Date of Patent:** **** Apr. 20, 2021**

(54) **BACK BRACE**

(71) Applicant: **Shenzhen Rui Trade E-Commerce Co., Ltd., Shenzhen (CN)**

(72) Inventor: **Eric Woo, Shenzhen (CN)**

(**) Term: **15 Years**

(21) Appl. No.: **29/749,727**

(22) Filed: **Sep. 9, 2020**

(51) **LOC (13) Cl.** **24-01**

(52) **U.S. Cl.**
USPC **D24/190**

(58) **Field of Classification Search**
USPC D24/190; D29/100–102
CPC .. A61F 5/028; A61F 5/03; A61F 5/024; A61F 5/0193; A61F 5/02; A61F 5/026; A61F 5/0118; A61F 5/022; A61F 5/30; A61F 7/02; A61F 2007/0001; A61F 5/0106; A61F 5/055; A61F 2250/001
See application file for complete search history.

(56) **References Cited**

U.S. PATENT DOCUMENTS

D375,186 S *	11/1996	Kim	D13/183
D418,948 S *	1/2000	London	D24/190
D496,108 S *	9/2004	Machin	D24/190
D499,846 S *	12/2004	Cesko	D29/101.3
D509,627 S *	9/2005	Willows	D29/101.2
D621,549 S *	8/2010	Johnson	D29/101.2
D623,307 S *	9/2010	Warner	D24/206
D695,902 S *	12/2013	Daniels	D24/206
D739,085 S *	9/2015	Tadeo	D29/101.1
D776,880 S *	1/2017	Nilsson	D29/101.1
D825,111 S *	8/2018	Lenahan	D29/101.1

D831,276 S *	10/2018	Pennington, Jr.	D29/101.1
D875,260 S *	2/2020	Rokitta	D24/190
D875,261 S *	2/2020	Liu	D24/190
D884,199 S *	5/2020	Mei	D24/190
D884,200 S *	5/2020	Mei	D24/190
D893,733 S	8/2020	Watabe et al.		

* cited by examiner

Primary Examiner — Jennifer L Watkins

(57) **CLAIM**

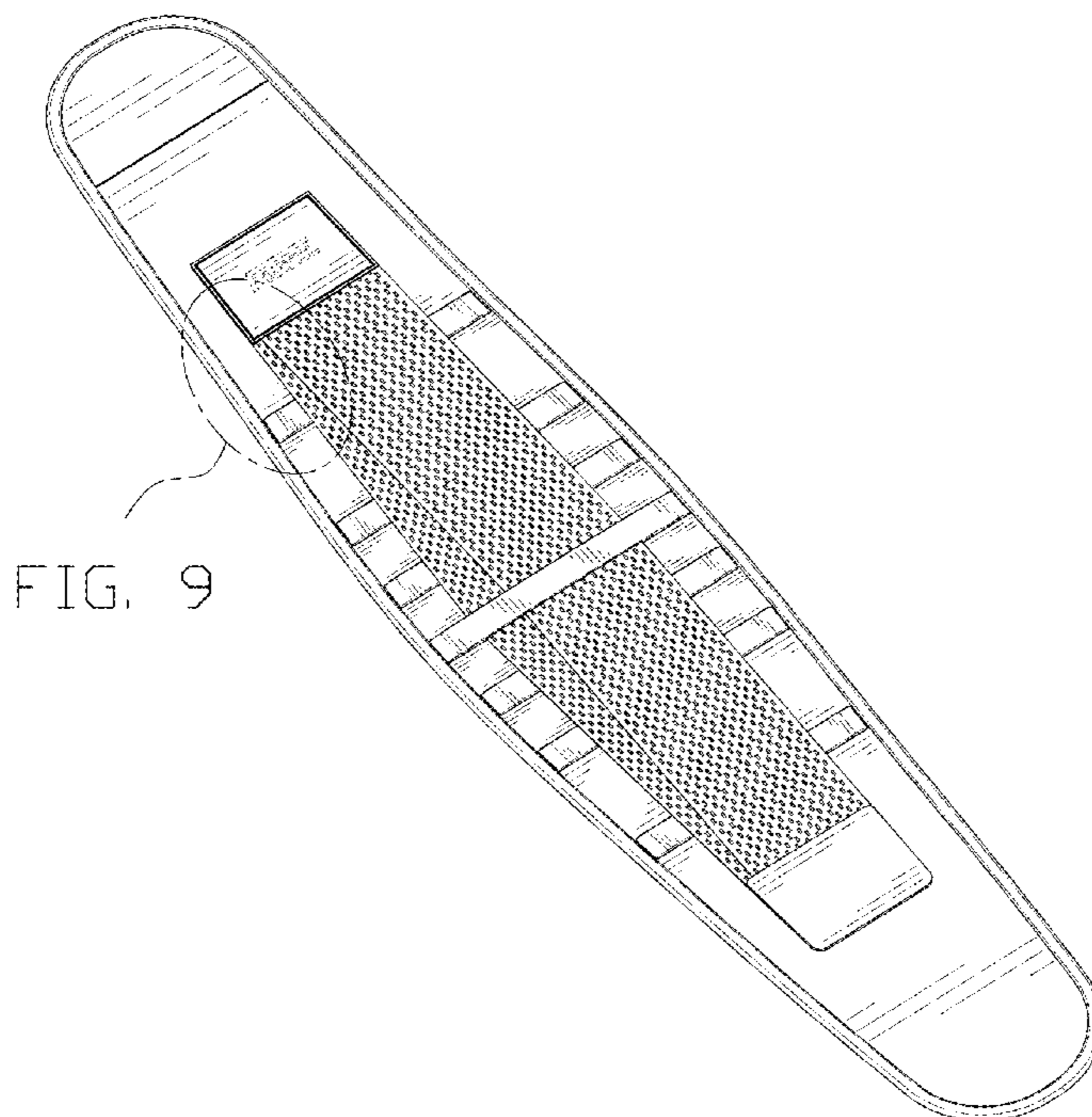
The ornamental design for a back brace, as shown and described.

DESCRIPTION

FIG. 1 is a front and top perspective view of a back brace, showing my new design;
FIG. 2 is a rear and bottom perspective view thereof;
FIG. 3 is a front elevational view thereof;
FIG. 4 is a rear elevational view thereof;
FIG. 5 is a left side elevational view thereof;
FIG. 6 is a right side elevational view thereof;
FIG. 7 is a top plan view thereof;
FIG. 8 is a bottom plan view thereof;
FIG. 9 is an enlarged view of a portion labeled, 'FIG. 9' in FIG. 1;
FIG. 10 is an exploded view of the back brace; and,
FIG. 11 is a perspective view thereof, showing the back brace in a using position.

The dash dot dash lines in FIGS. 1 and 9 are for the purpose of depicting the cut line of the enlarged view and form no part of the claim. The dashed broken lines in the figures illustrate portions of the article that form no part of the claimed design. The broken lines in FIG. 11 showing of a human body depict environmental structure that form no part of the claimed design.

1 Claim, 11 Drawing Sheets



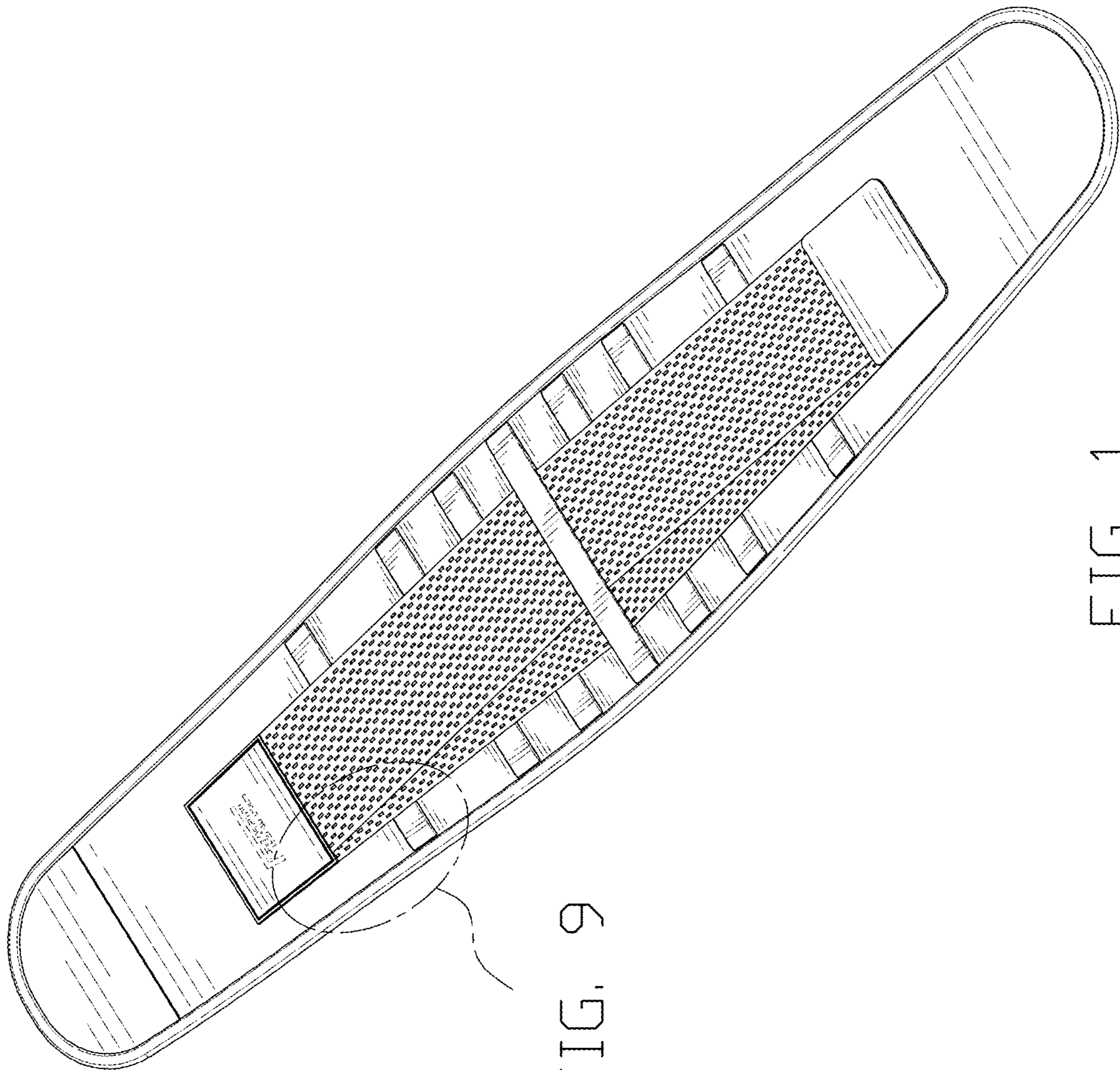


FIG. 9

FIG. 1

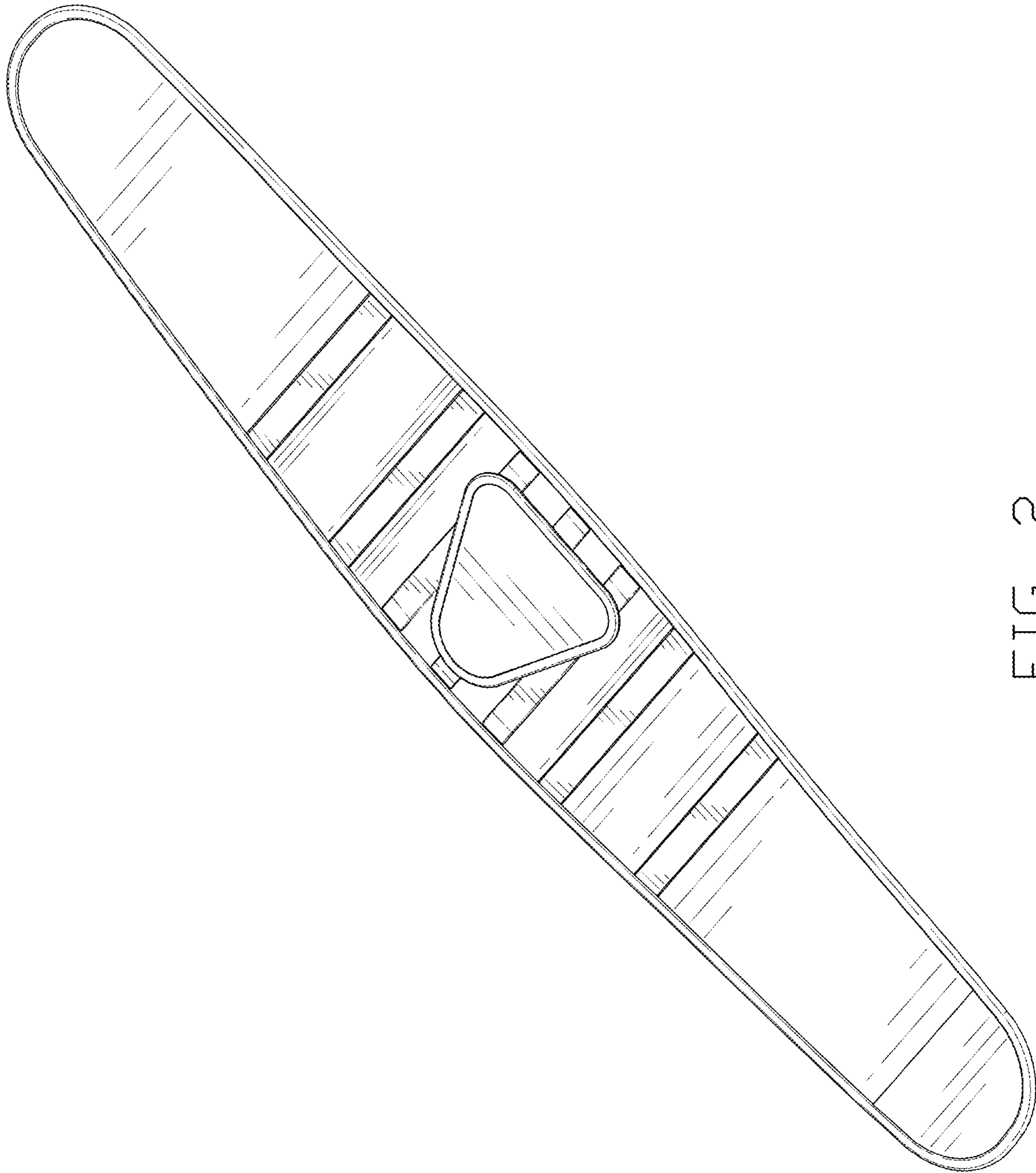


FIG. 2

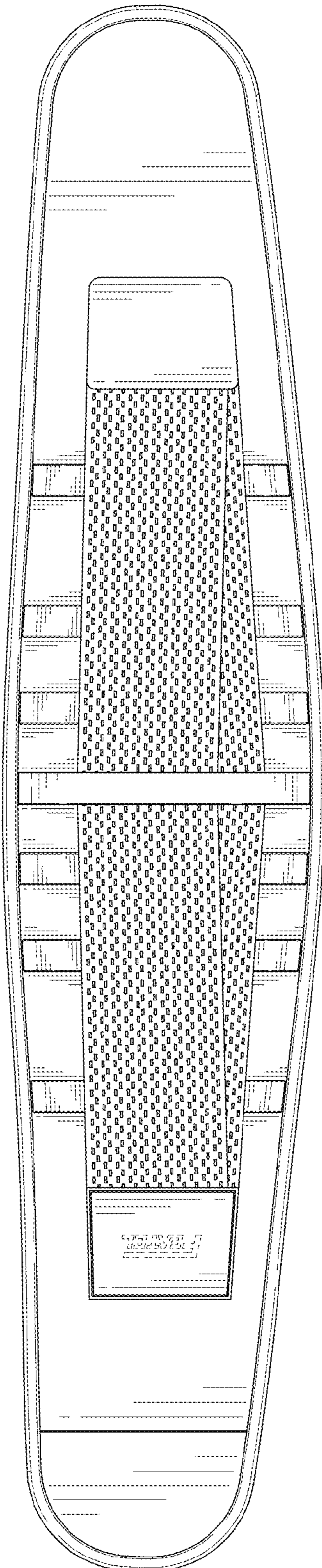


FIG. 3

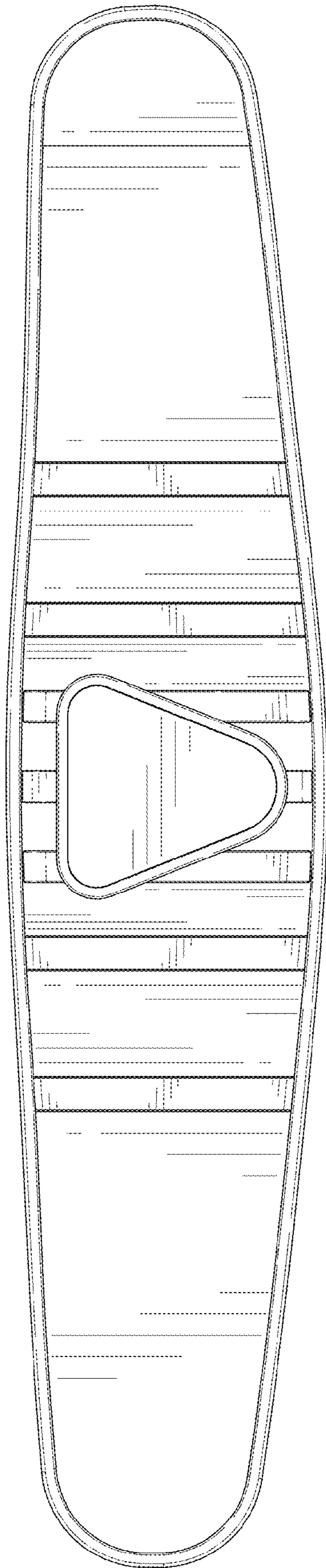


FIG. 4

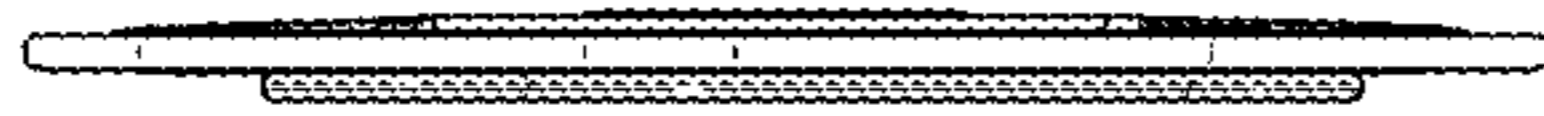


FIG. 5



FIG. 6



FIG. 7



FIG. 8

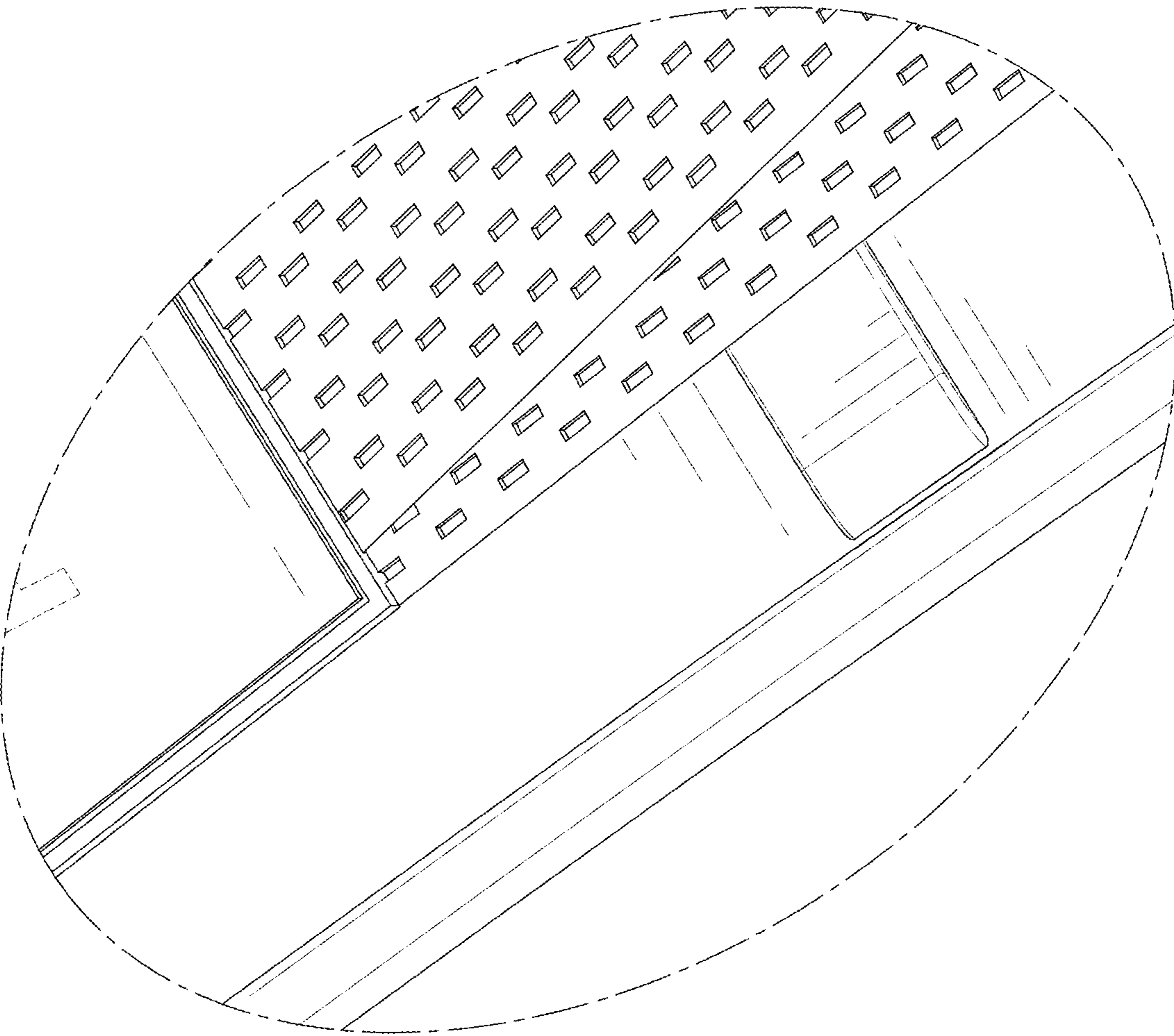


FIG. 9

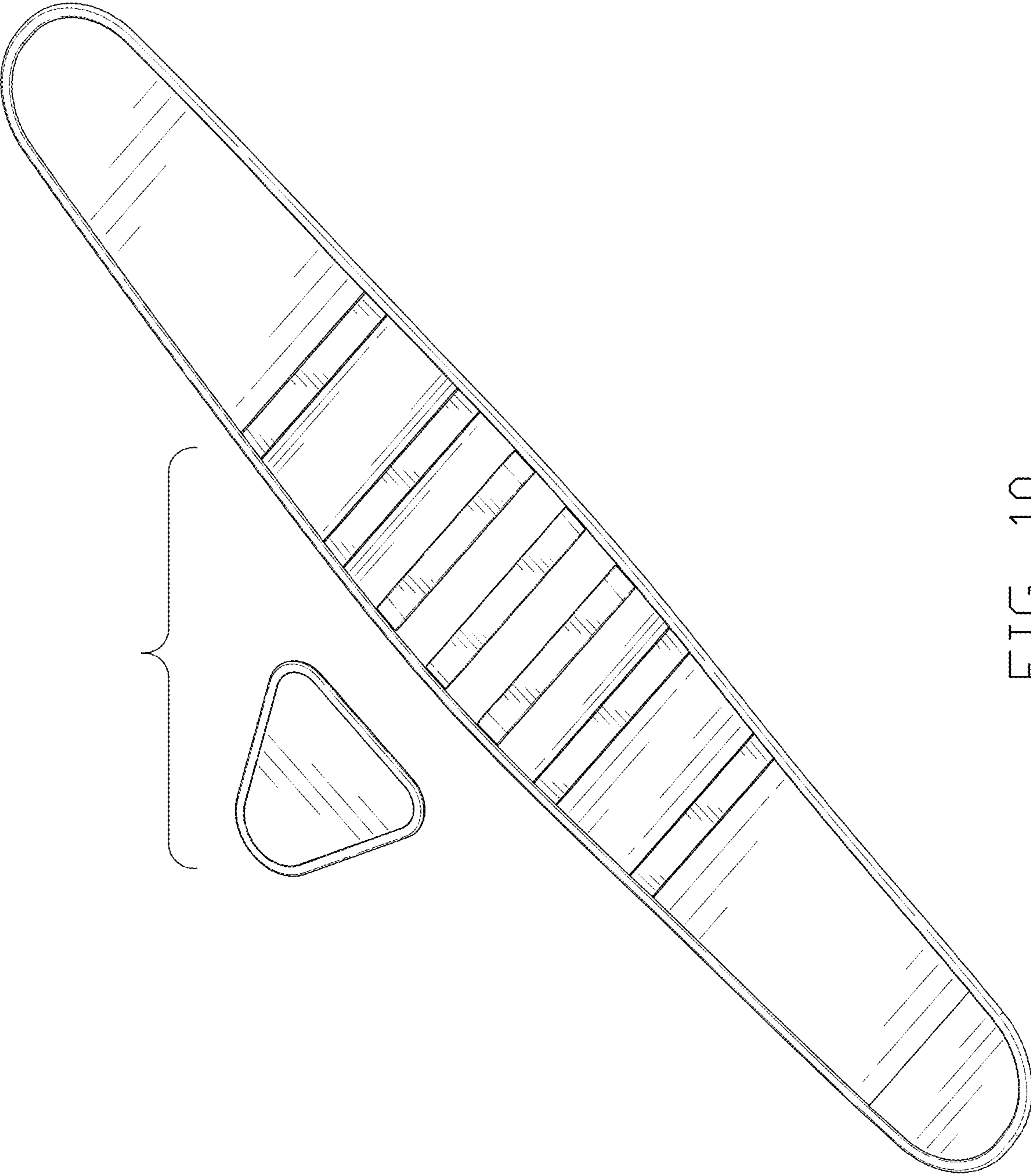


FIG. 10

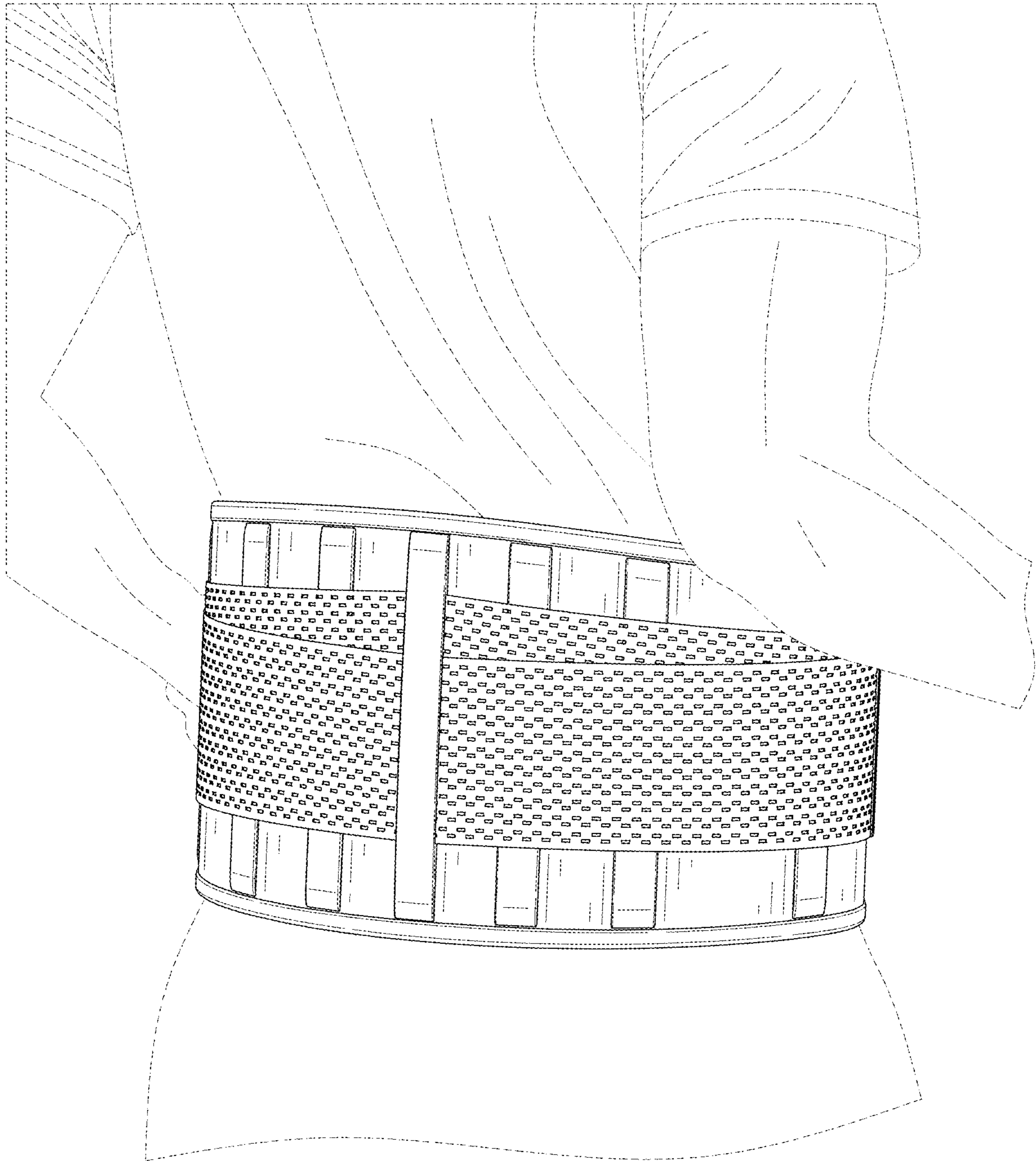


FIG. 11