



US00D917053S

(12) **United States Design Patent**  
**Glenn**

(10) **Patent No.:** **US D917,053 S**

(45) **Date of Patent:** **\*\* Apr. 20, 2021**

- (54) **MEDICAL EQUIPMENT STAND**
- (71) Applicant: **Mel Glenn**, Birmingham, AL (US)
- (72) Inventor: **Mel Glenn**, Birmingham, AL (US)
- (\*\*) Term: **15 Years**
- (21) Appl. No.: **29/681,893**
- (22) Filed: **Feb. 28, 2019**
- (51) **LOC (13) Cl.** ..... **24-02**
- (52) **U.S. Cl.**  
USPC ..... **D24/185**
- (58) **Field of Classification Search**  
USPC ..... D24/185, 128, 186, 158; D26/138;  
D34/24  
CPC ..... F16M 11/04; F16M 11/42; A61G 5/10;  
A61H 3/04; A61M 5/1415; A61B 17/00;  
A47B 21/00; B62B 3/144  
See application file for complete search history.

- 7,935,030 B1 \* 5/2011 Nesbitt ..... A61H 3/04  
482/68
- 8,292,310 B2 \* 10/2012 Turner ..... A61H 3/04  
280/47.35
- 8,313,067 B2 \* 11/2012 Knieriem ..... F16M 11/42  
248/129
- D703,329 S \* 4/2014 Worcester ..... D24/185
- D720,450 S \* 12/2014 Glenn ..... D24/128
- D733,891 S \* 7/2015 Murray ..... D24/185
- D796,679 S \* 9/2017 Dekock ..... D24/158
- D804,041 S \* 11/2017 Black ..... D24/185

(Continued)

*Primary Examiner* — Rhea Shields

(74) *Attorney, Agent, or Firm* — Morris, Manning & Martin, LLP; Daniel E. Sineway, Esq.

(57) **CLAIM**

The ornamental design for a medical equipment stand, as shown and described.

**DESCRIPTION**

FIG. 1 is a perspective view of a medical equipment stand, according to my new design;  
FIG. 2 is a front view of the device of FIG. 1;  
FIG. 3 is a back view of the device of FIG. 1;  
FIG. 4 is a left side view of the device of FIG. 1;  
FIG. 5 is a right side view of the device of FIG. 1;  
FIG. 6 is a bottom view of the device of FIG. 1; and,  
FIG. 7 is a top view of the device of FIG. 1.

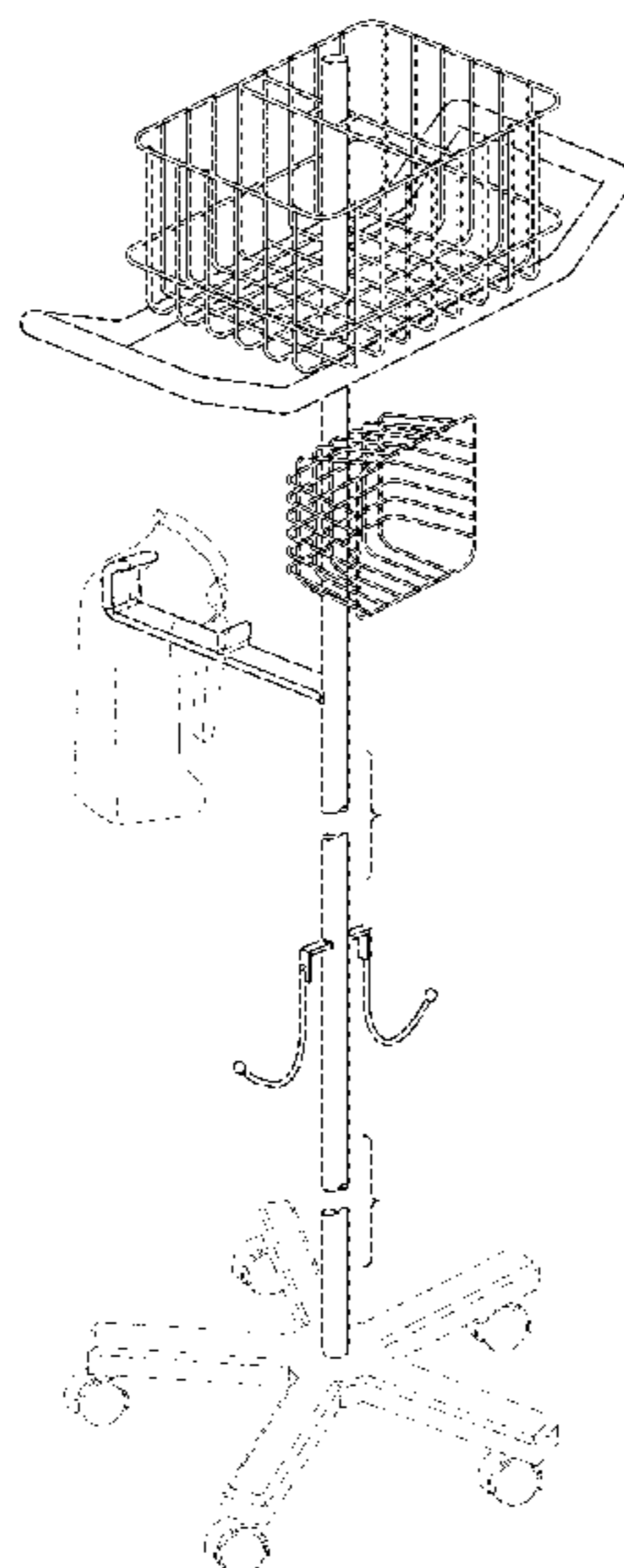
In the FIG. 1, the broken lines are for the purpose of showing both environment and portions of the medical equipment stand that form no part of the claimed design. In FIGS. 2 through 7, the broken lines are for the purpose of showing portions of the medical equipment stand that form no part of the claimed design. In FIGS. 1 through 5 the stand is shown with a symbolic break in its length. The appearance of any portion of the article between the break lines forms no part of the claimed design.

**1 Claim, 6 Drawing Sheets**

(56) **References Cited**

U.S. PATENT DOCUMENTS

- D281,453 S \* 11/1985 DiGianfilippo ..... D24/128
- D310,570 S \* 9/1990 Wells ..... D24/128
- 5,806,943 A \* 9/1998 Dell ..... A47B 21/00  
108/147
- D419,674 S \* 1/2000 Schattner ..... D24/128
- 6,056,249 A \* 5/2000 Fillon, Jr. .... A61M 5/1415  
248/125.7
- 6,523,840 B1 \* 2/2003 Koppes ..... B62B 3/144  
280/33.991
- D523,203 S \* 6/2006 Pertuset ..... D34/24
- 7,229,084 B2 \* 6/2007 McKellar ..... A61G 5/10  
280/47.25
- D568,467 S \* 5/2008 Cottone ..... D24/128
- 7,490,837 B2 \* 2/2009 Pond ..... A61B 17/00  
280/47.35
- D608,496 S \* 1/2010 Hodgson ..... D26/138
- D626,238 S \* 10/2010 Zinnanti ..... D24/185
- 7,896,298 B2 \* 3/2011 Meyers ..... A61M 5/1415  
248/125.8



(56)

**References Cited**

U.S. PATENT DOCUMENTS

D810,305 S *	2/2018	Zhang .....	D24/185
D816,849 S *	5/2018	Nesbitt .....	D24/185
D824,521 S *	7/2018	Adams .....	D24/158
10,060,571 B2 *	8/2018	Koehler .....	F16M 11/04
D848,003 S *	5/2019	Worcester .....	D24/185
D852,961 S *	7/2019	Ellenz .....	D24/185
D878,600 S *	3/2020	Pelissier .....	D24/186
D888,966 S *	6/2020	Robert .....	D24/185

\* cited by examiner

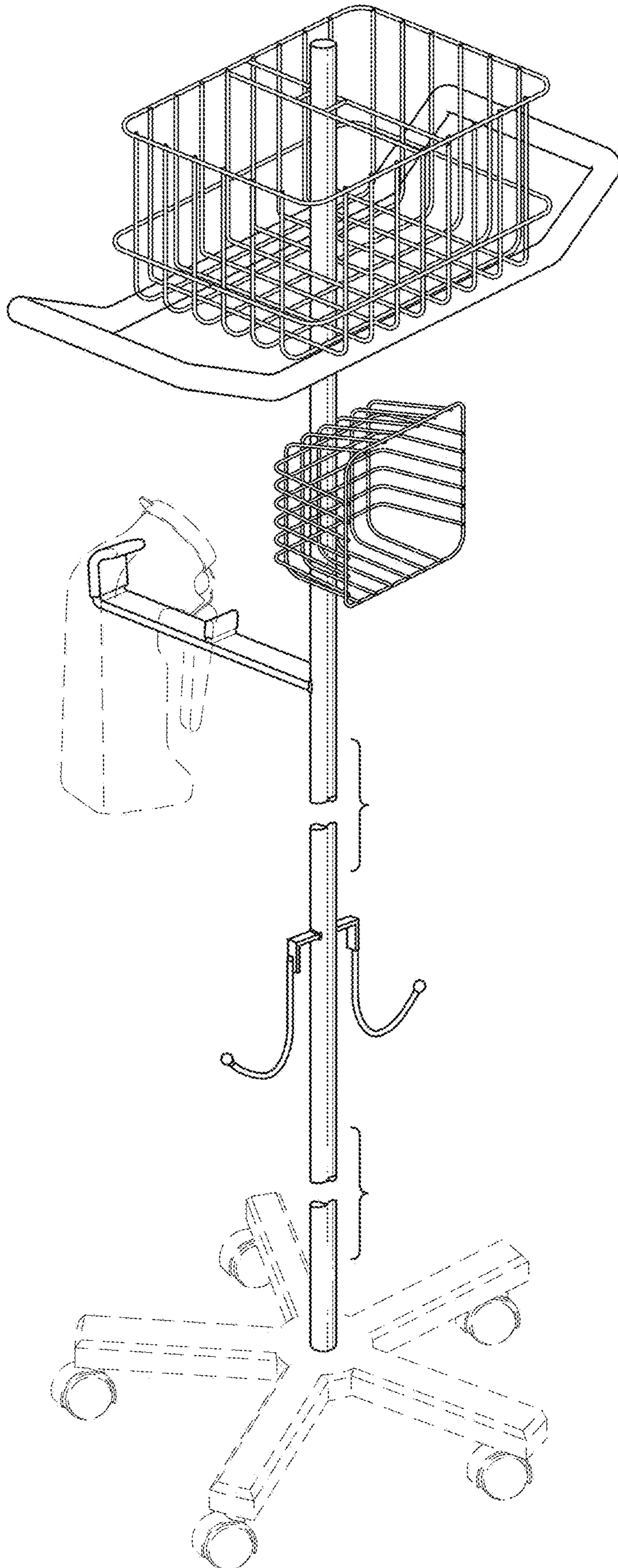


FIG. 1

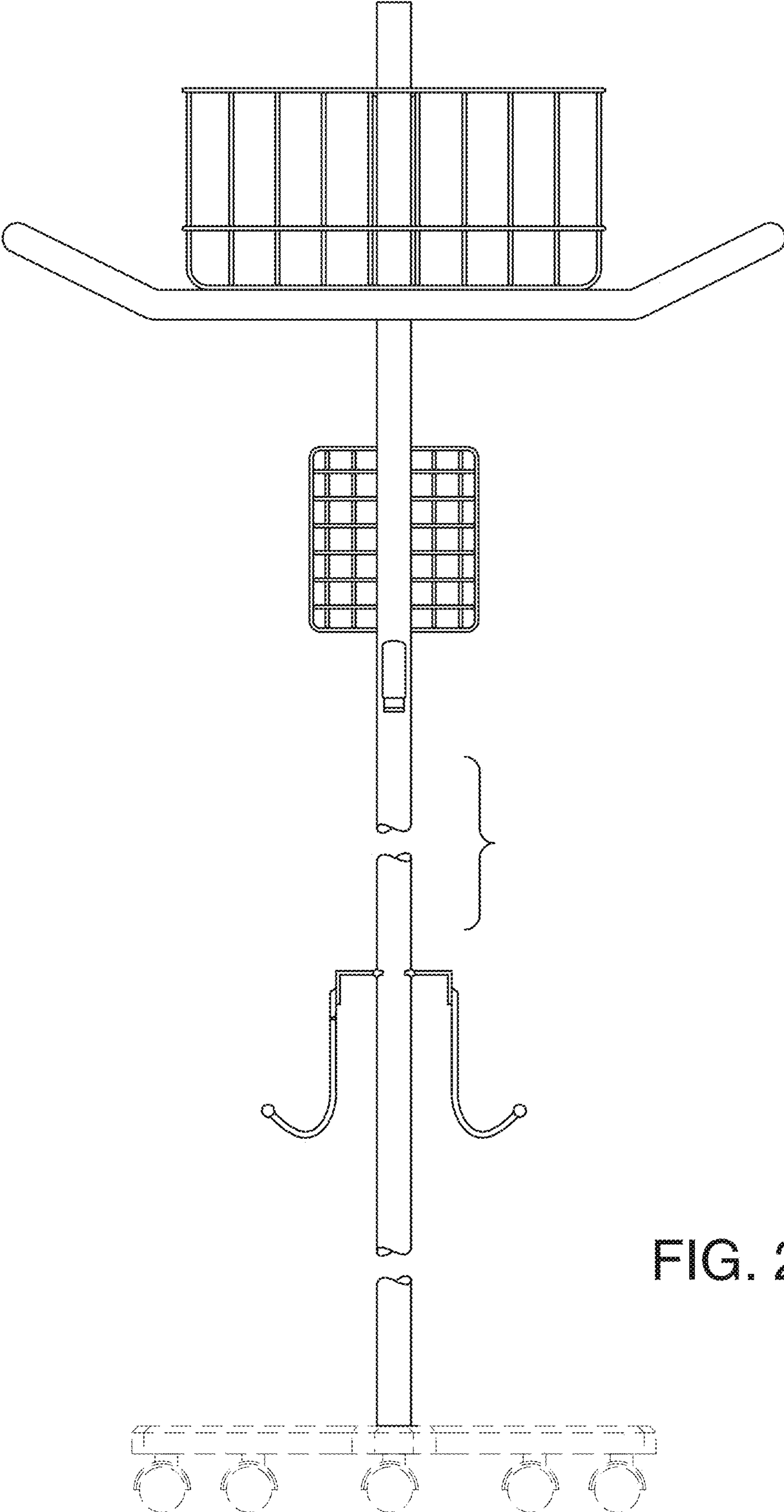


FIG. 2

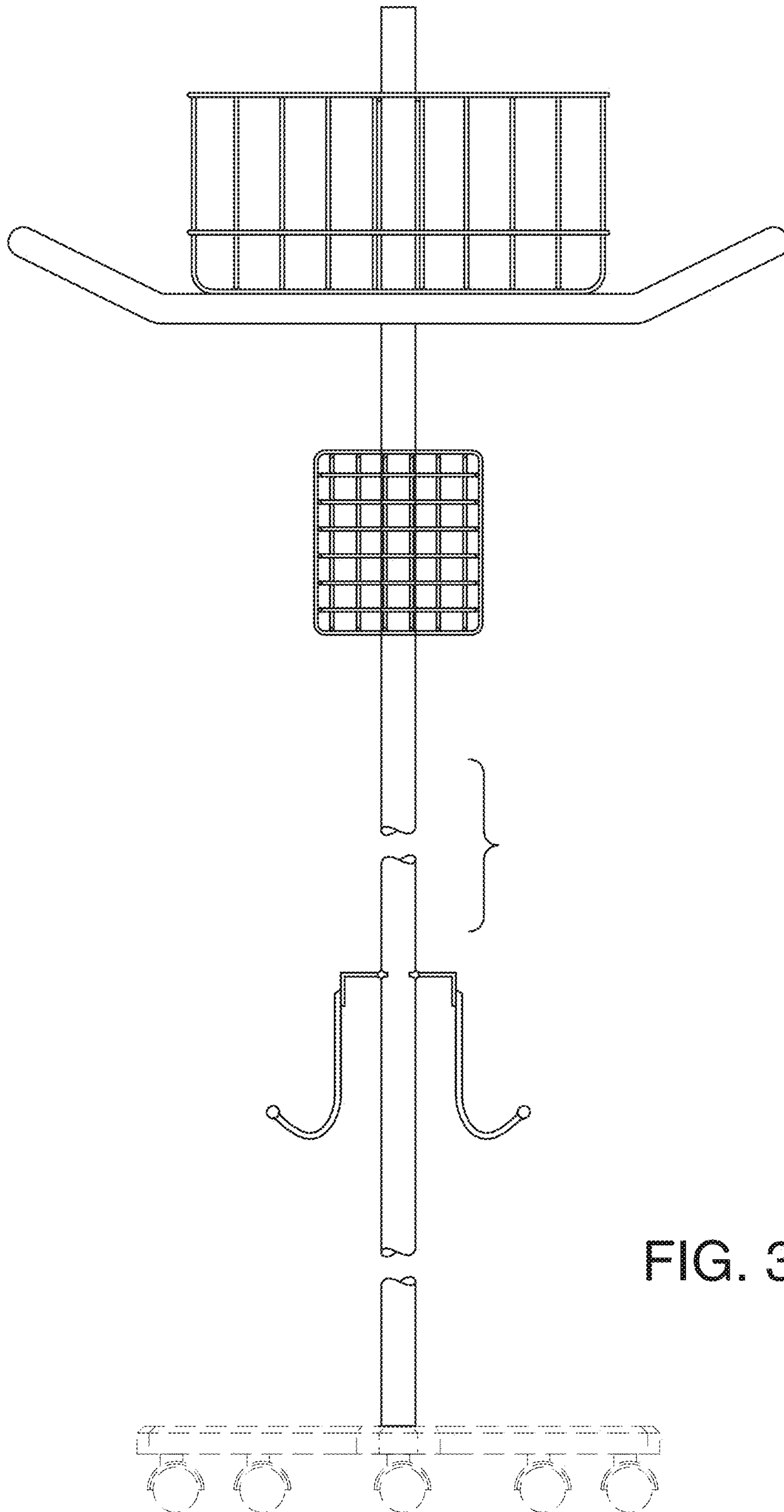


FIG. 3

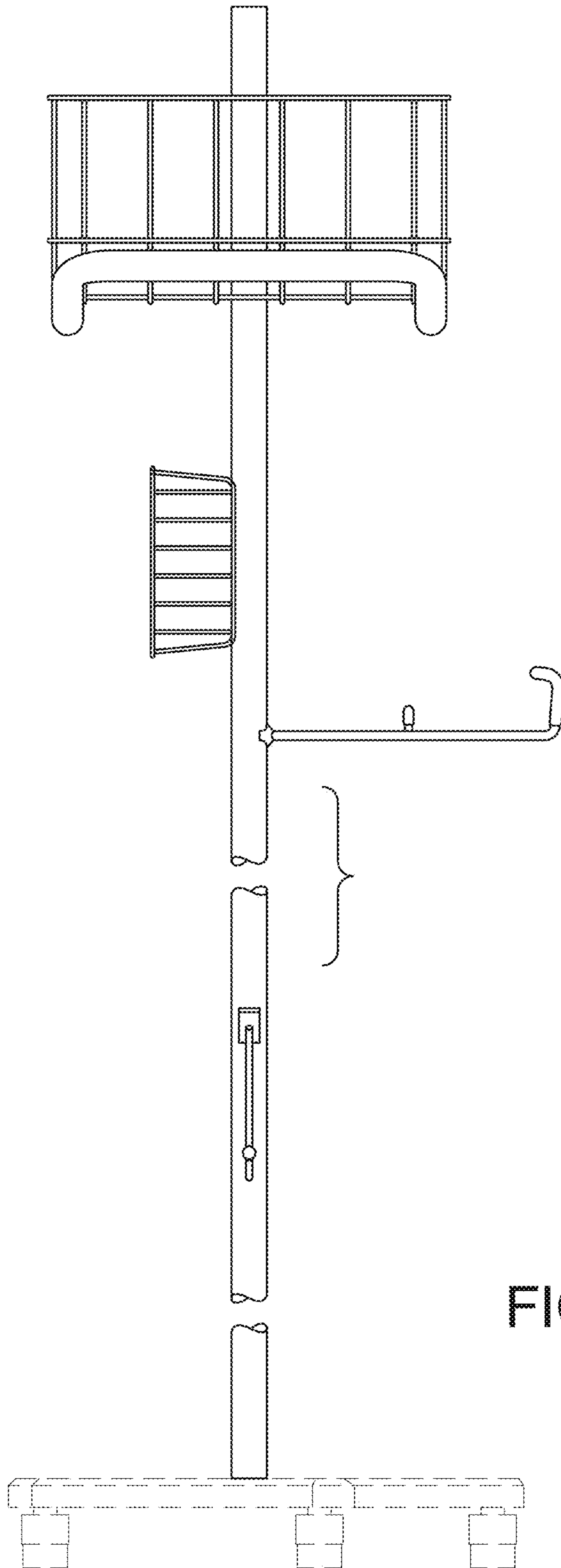


FIG. 4

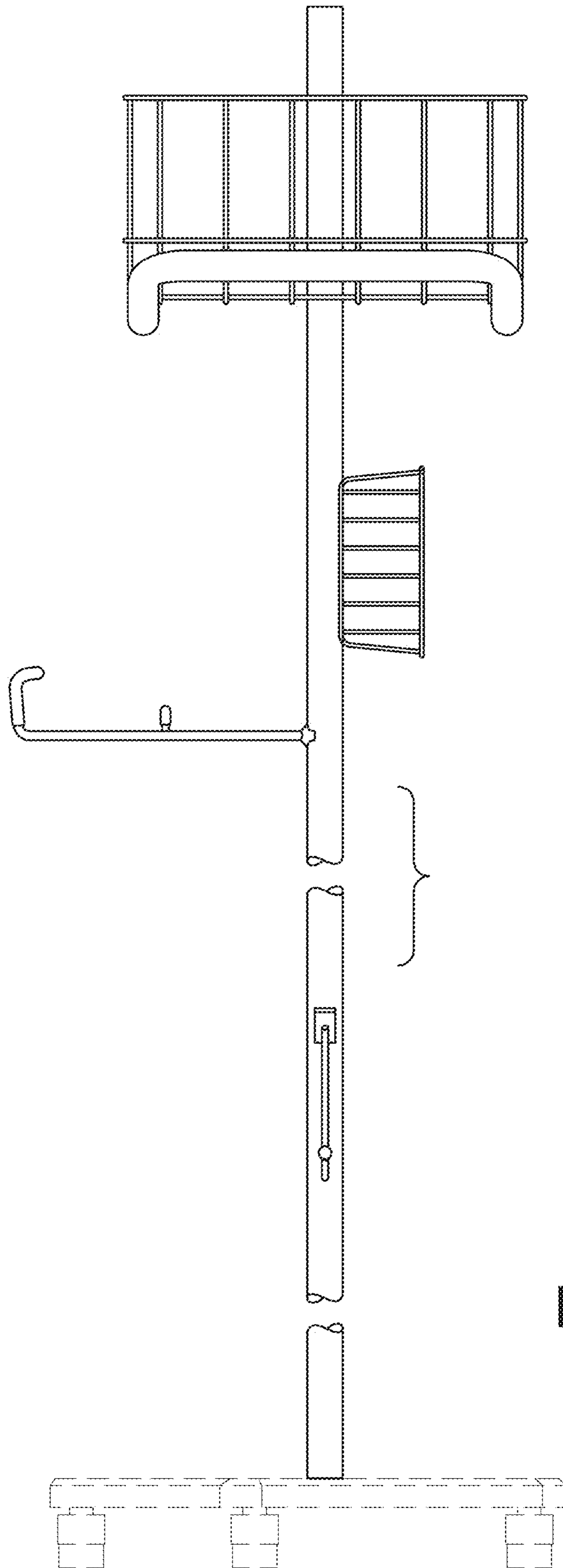


FIG. 5

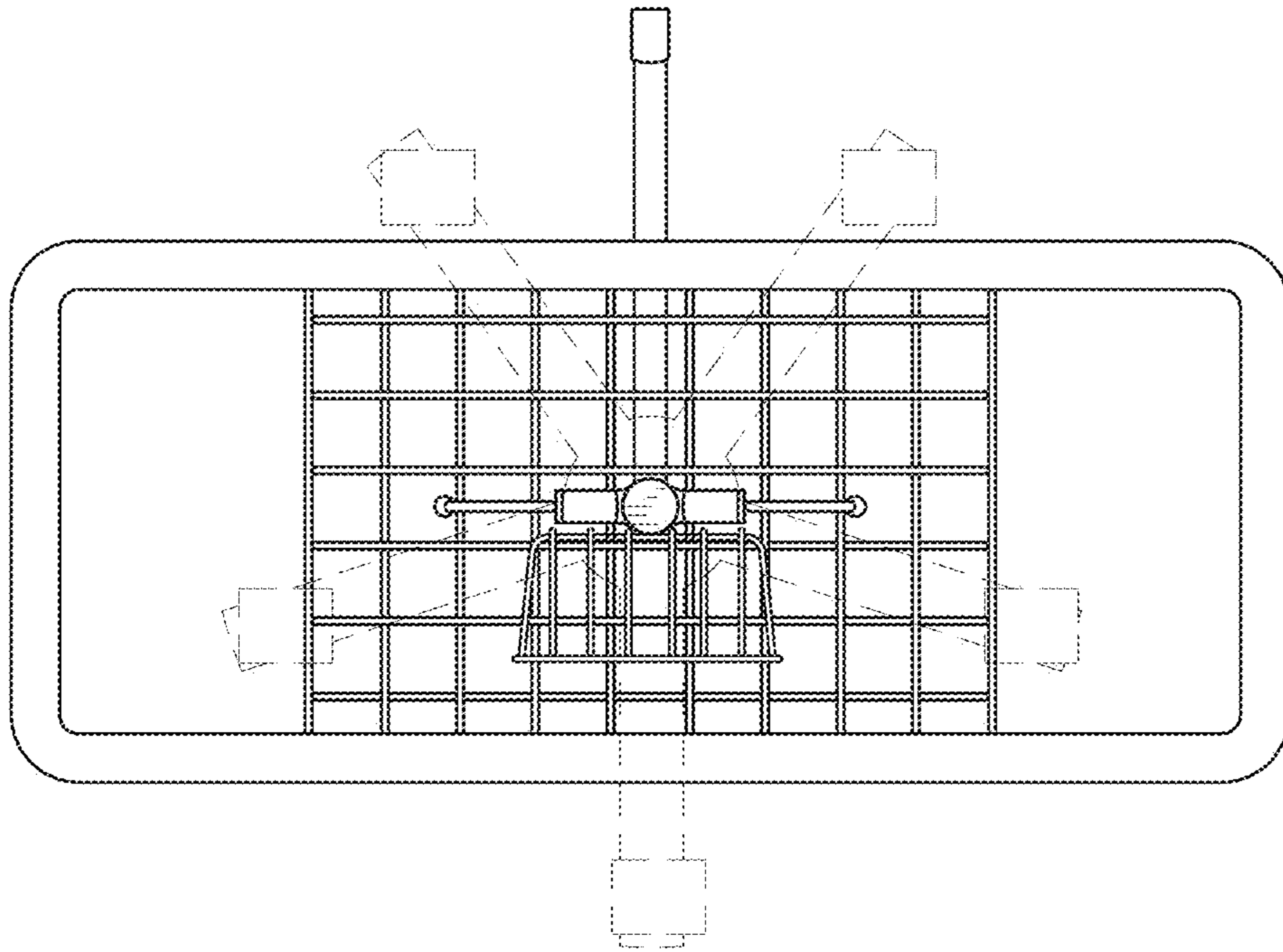


FIG. 6

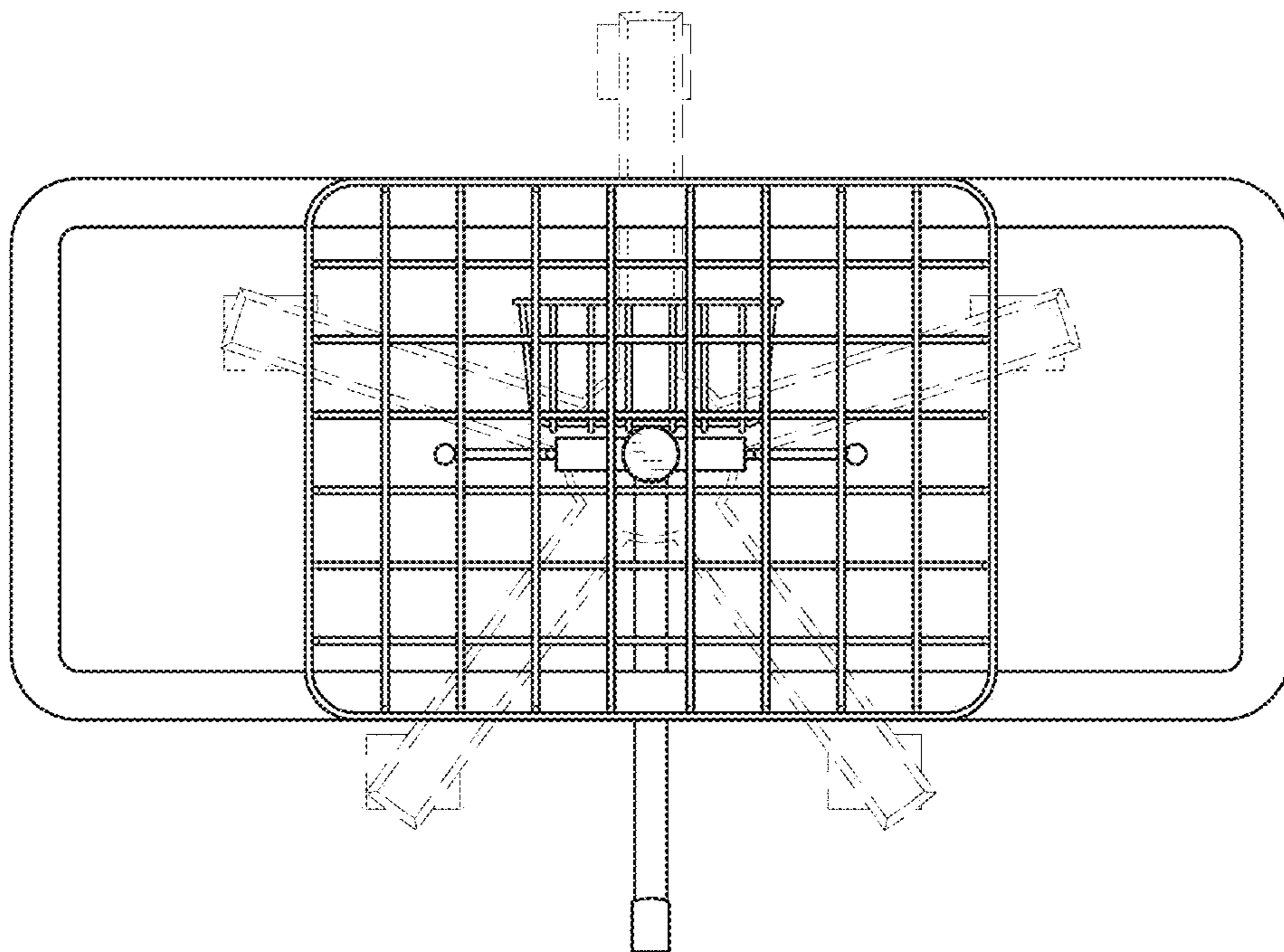


FIG. 7