



US00D917052S

(12) **United States Design Patent** (10) **Patent No.:** **US D917,052 S**
Whitlock (45) **Date of Patent:** **** Apr. 20, 2021**

(54) **ADJUSTABLE TATTOO ARMREST**
(71) Applicant: **James Whitlock**, Clearwater, FL (US)
(72) Inventor: **James Whitlock**, Clearwater, FL (US)
(**) Term: **15 Years**
(21) Appl. No.: **29/631,660**
(22) Filed: **Jan. 2, 2018**
(51) **LOC (13) Cl.** **24-02**
(52) **U.S. Cl.**
USPC **D24/183**
(58) **Field of Classification Search**
USPC D24/159, 183-184, 200; D6/349, 360,
D6/364, 369, 429, 595-596, 601, 604,
D6/605, 610, 716.2, 718, 718.3
CPC A61G 7/00; A61G 7/0507; A61G 13/107;
A47C 7/54
See application file for complete search history.

2015/0028645 A1* 1/2015 Baas A47C 7/54
297/411.38
2015/0115683 A1* 4/2015 Huang A47C 1/03
297/411.36
2017/0354263 A1* 12/2017 Houghson F16M 11/28
2018/0014647 A1* 1/2018 Huang A47C 1/03
2019/0174921 A1* 6/2019 Chen A47C 1/03
2020/0128964 A1* 4/2020 Fang A47C 7/541

OTHER PUBLICATIONS

Armrest Filigree. Online, published date unknown. Retrieved on Jul. 10, 2020 from URL: <https://www.sdtattoosupply.com/products/armrest>.*

* cited by examiner

Primary Examiner — Janice Hallmark
Assistant Examiner — Omeed Agilee
(74) *Attorney, Agent, or Firm* — Edward P Dutkiewicz

(57) **CLAIM**

The ornamental design for an adjustable tattoo armrest, as shown and described.

(56) **References Cited**

U.S. PATENT DOCUMENTS

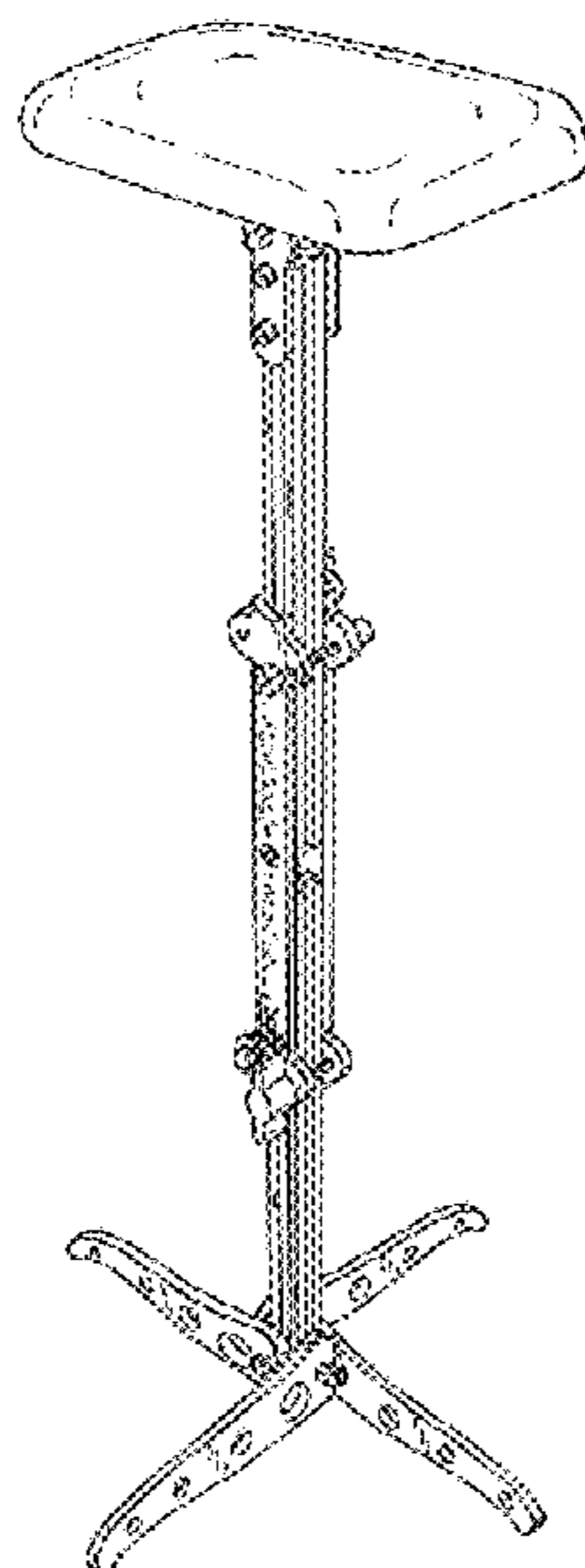
D309,989 S * 8/1990 Gotts D6/334
5,560,573 A * 10/1996 Colver F16M 11/046
248/118
D509,076 S * 9/2005 Beck D6/349
6,957,866 B1 * 10/2005 Cai A47C 1/03
297/411.35
D535,840 S * 1/2007 Smith D6/366
D606,345 S * 12/2009 Tsai D6/366
7,810,767 B1 * 10/2010 Harris A61B 90/60
248/118
D639,082 S * 6/2011 Pengelly D6/360
D742,301 S * 11/2015 Kasparian D12/421
D773,376 S * 12/2016 Kasparian D12/345
D799,841 S * 10/2017 Williams D6/349
D841,362 S * 2/2019 Vance A47C 16/00
D6/595
D861,366 S * 10/2019 Jahns D6/364
D862,914 S * 10/2019 Lenz D6/349

DESCRIPTION

FIG. 1 is a front elevational view of an adjustable tattoo table showing my new design;
FIG. 2 is a rear elevational view;
FIG. 3 is a right side elevational view;
FIG. 4 is left elevational view;
FIG. 5 is a top plan view;
FIG. 6 is a bottom plan view;
FIG. 7 is a upper left oriented perspective view; and
FIG. 8 is an upper left exploded view; and,
FIG. 9 is an enlarged view of the encircled portion shown in FIG. 8.

The broken lines depict portions of the adjustable tattoo armrest that form no part of the claimed design.

1 Claim, 8 Drawing Sheets



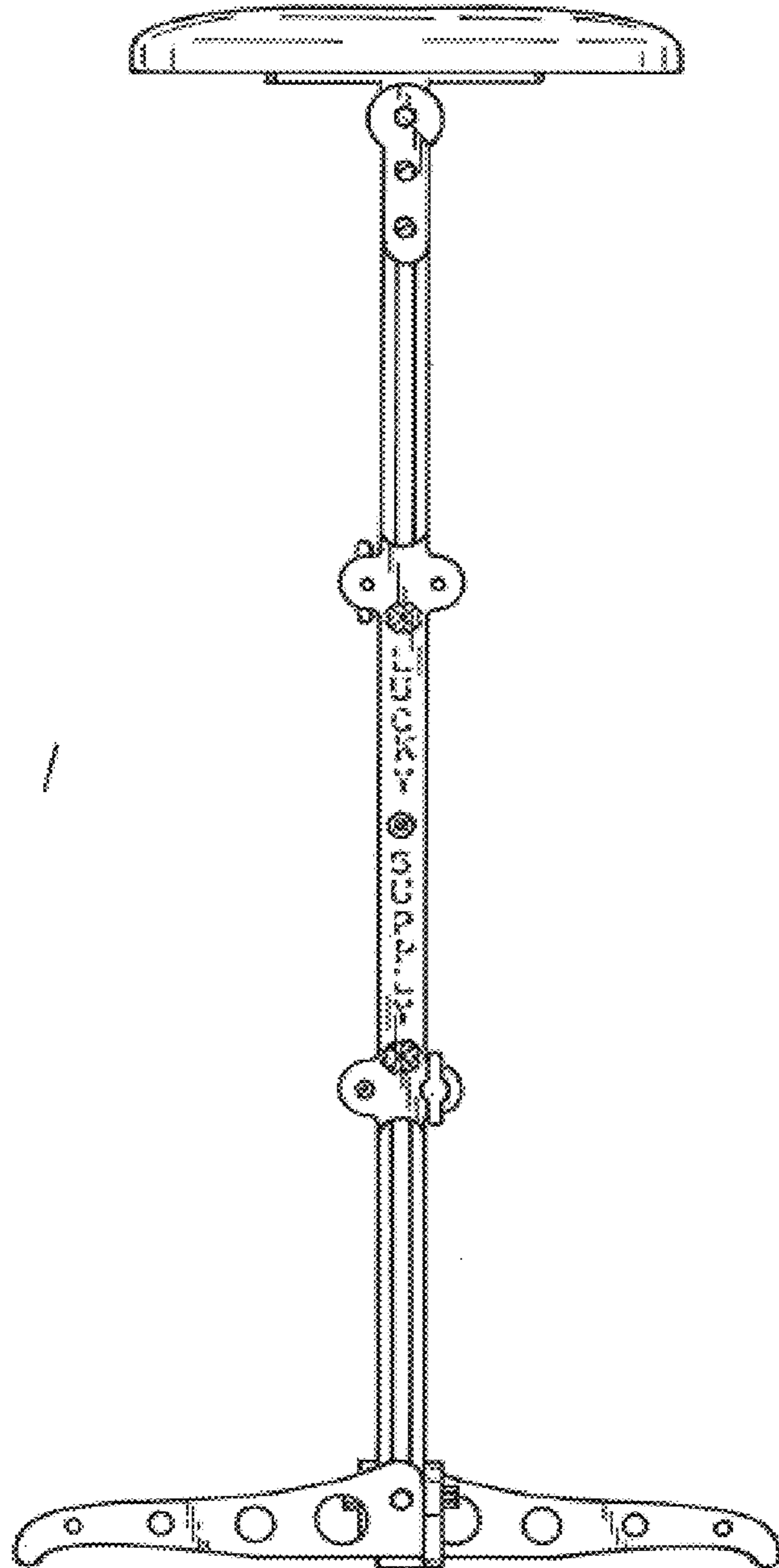


FIG. 1

FIG. 2

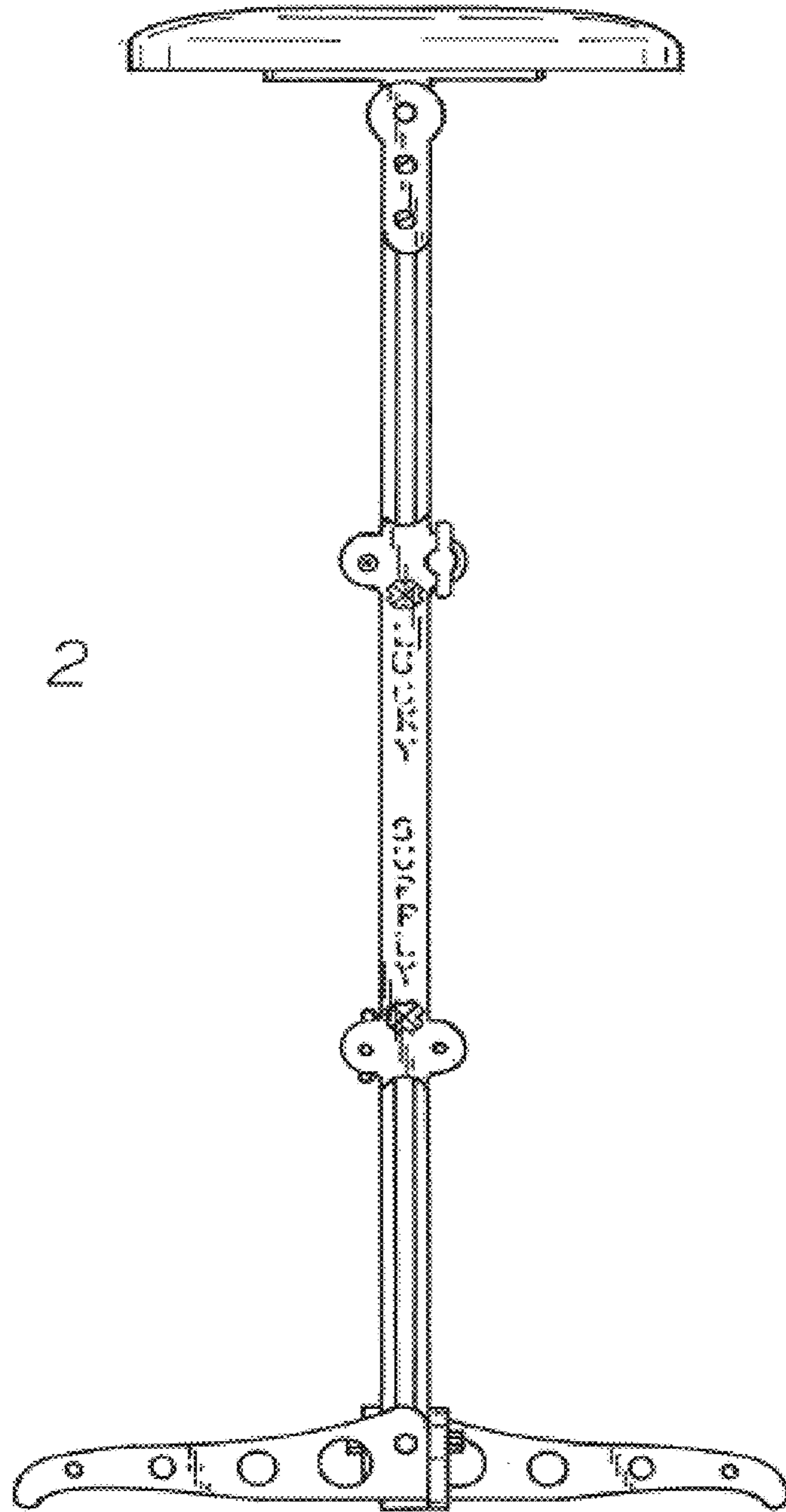


FIG. 3

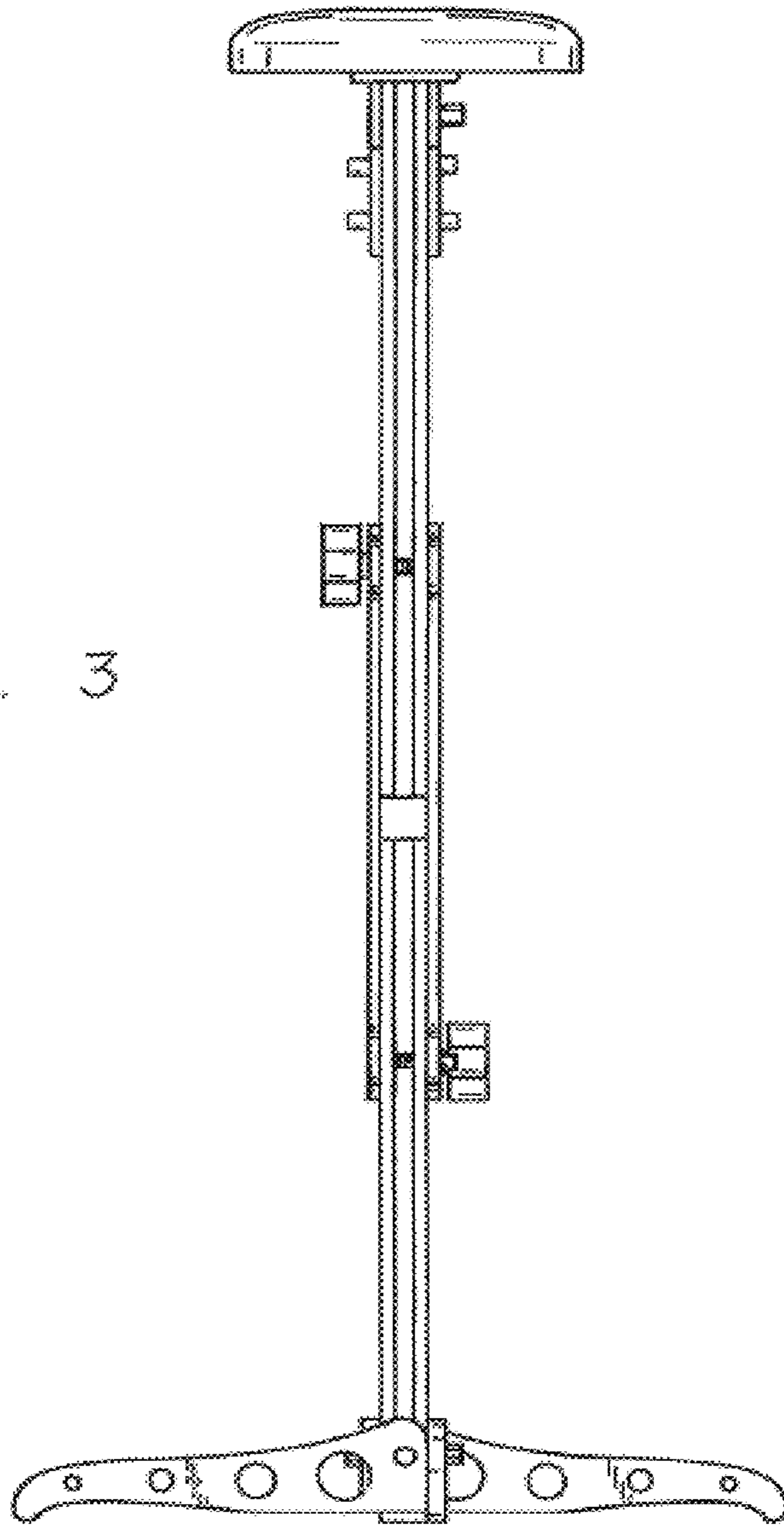


FIG. 4

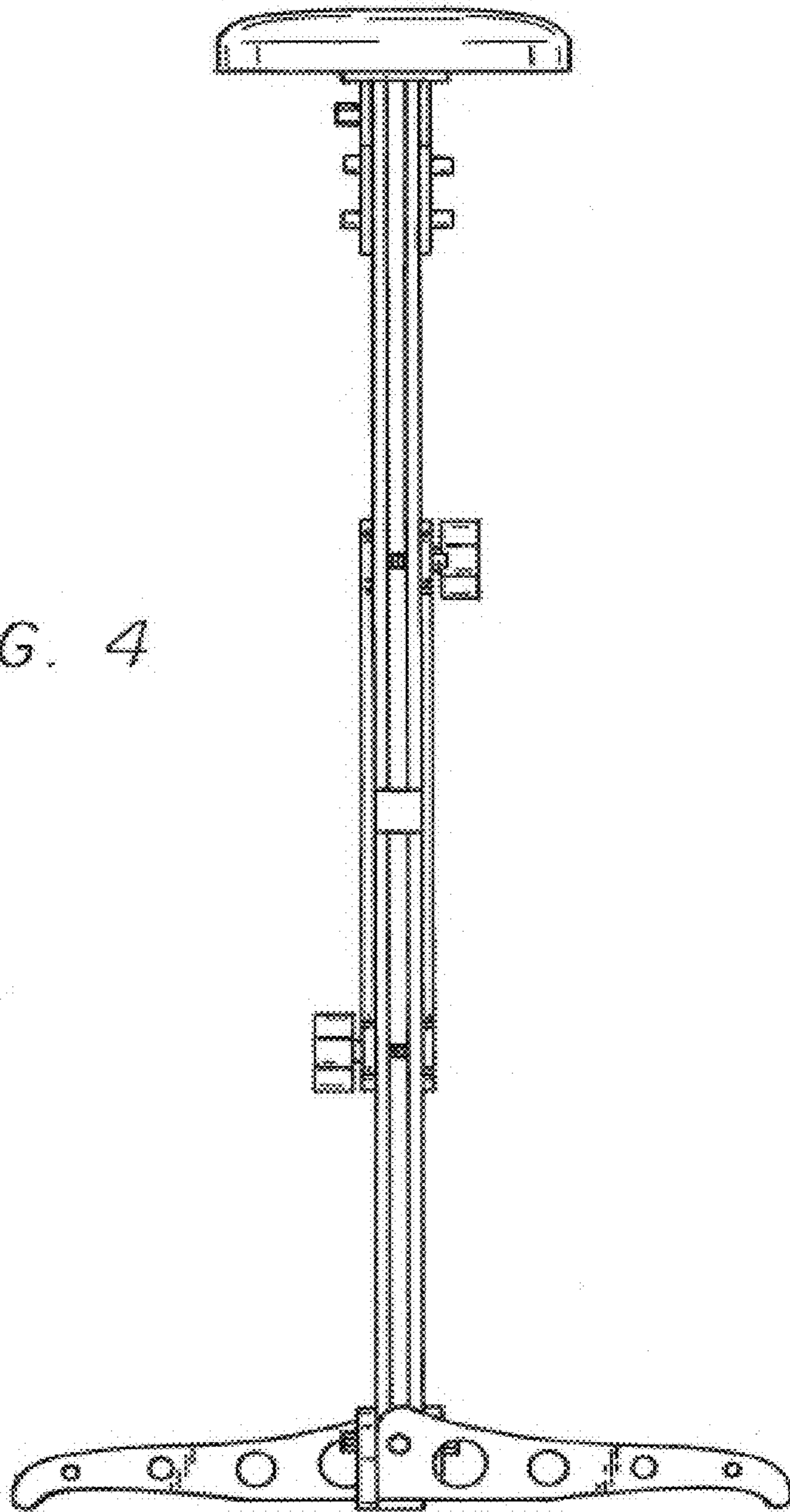


FIG. 5

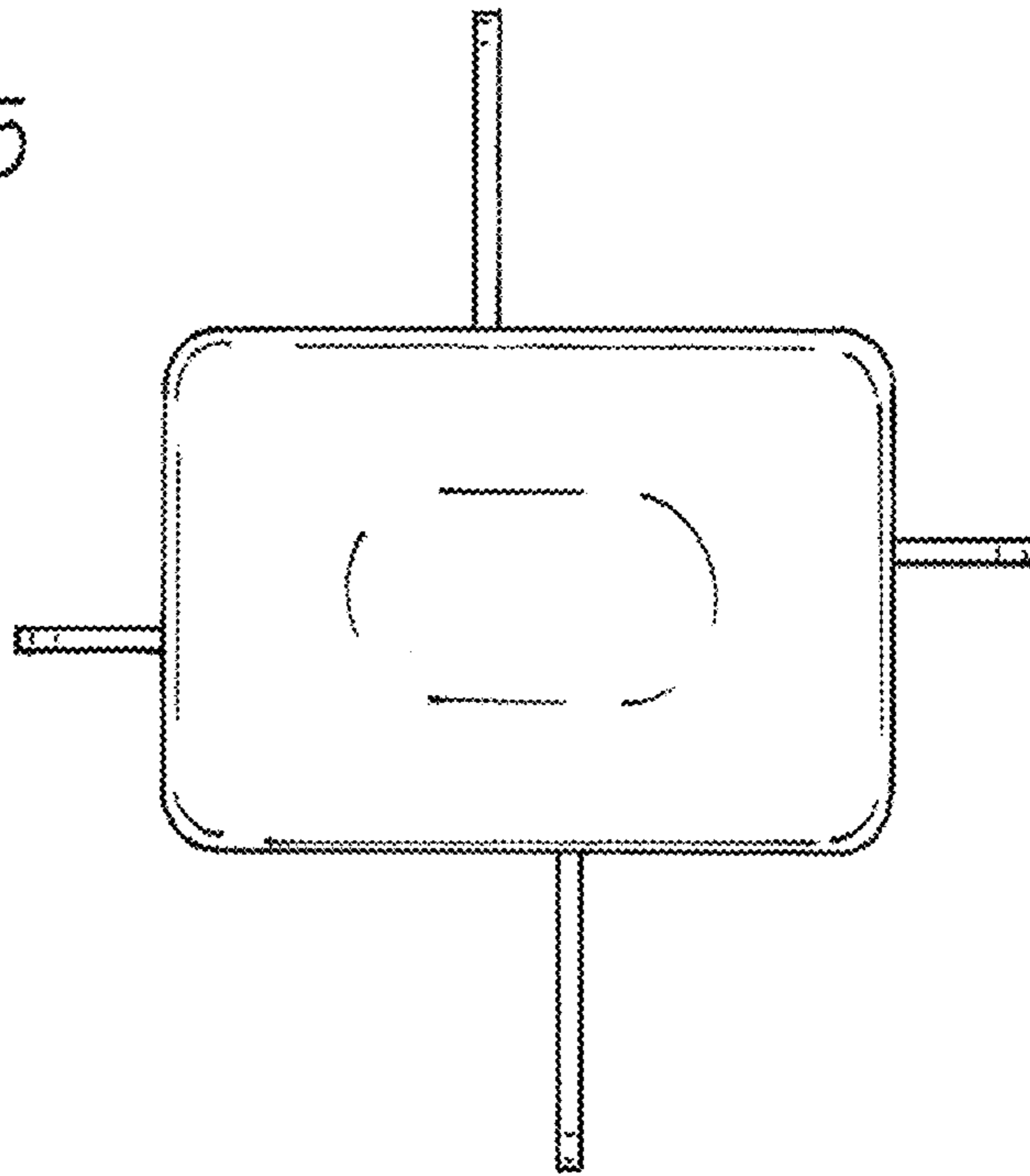
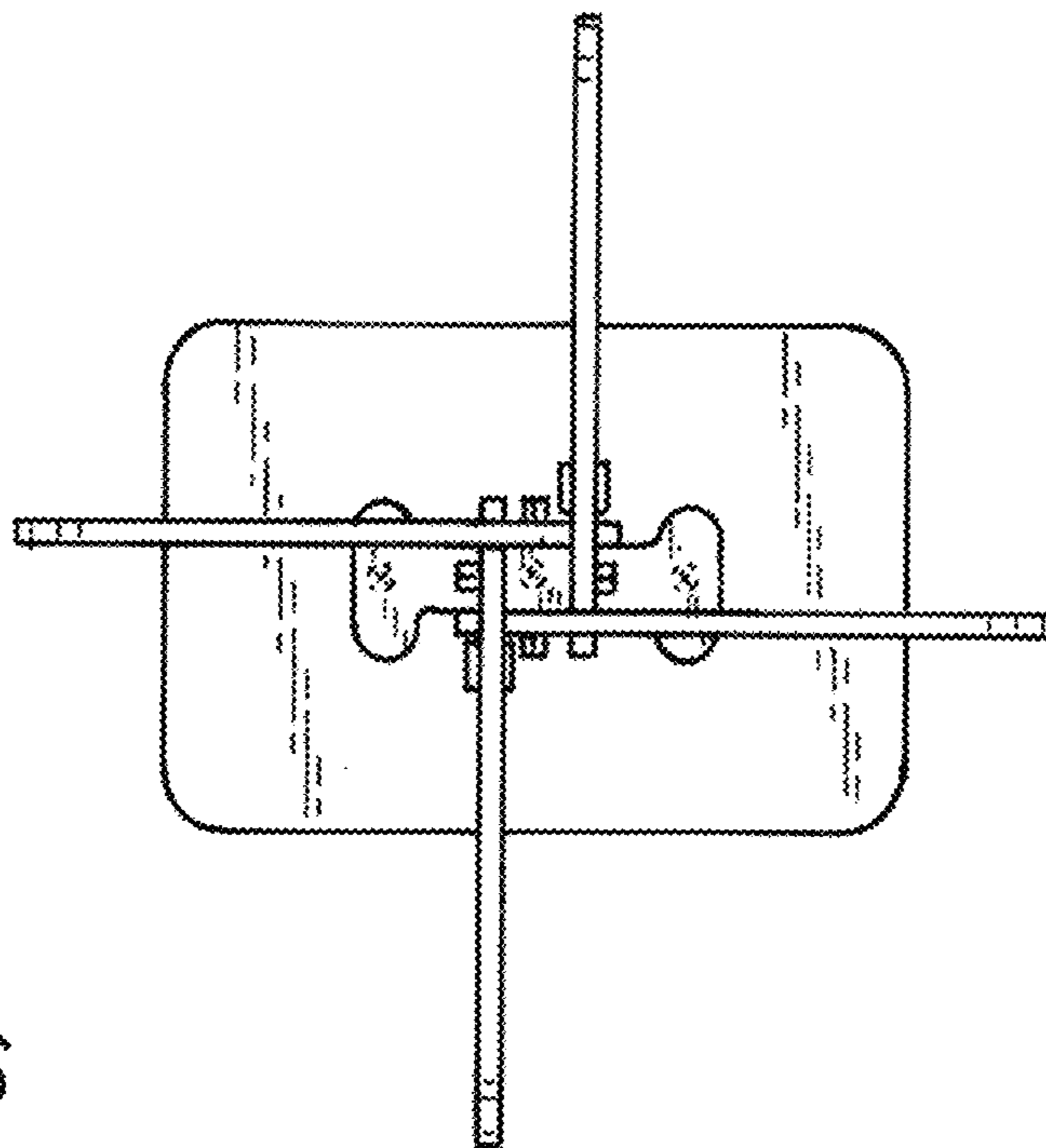


FIG. 6



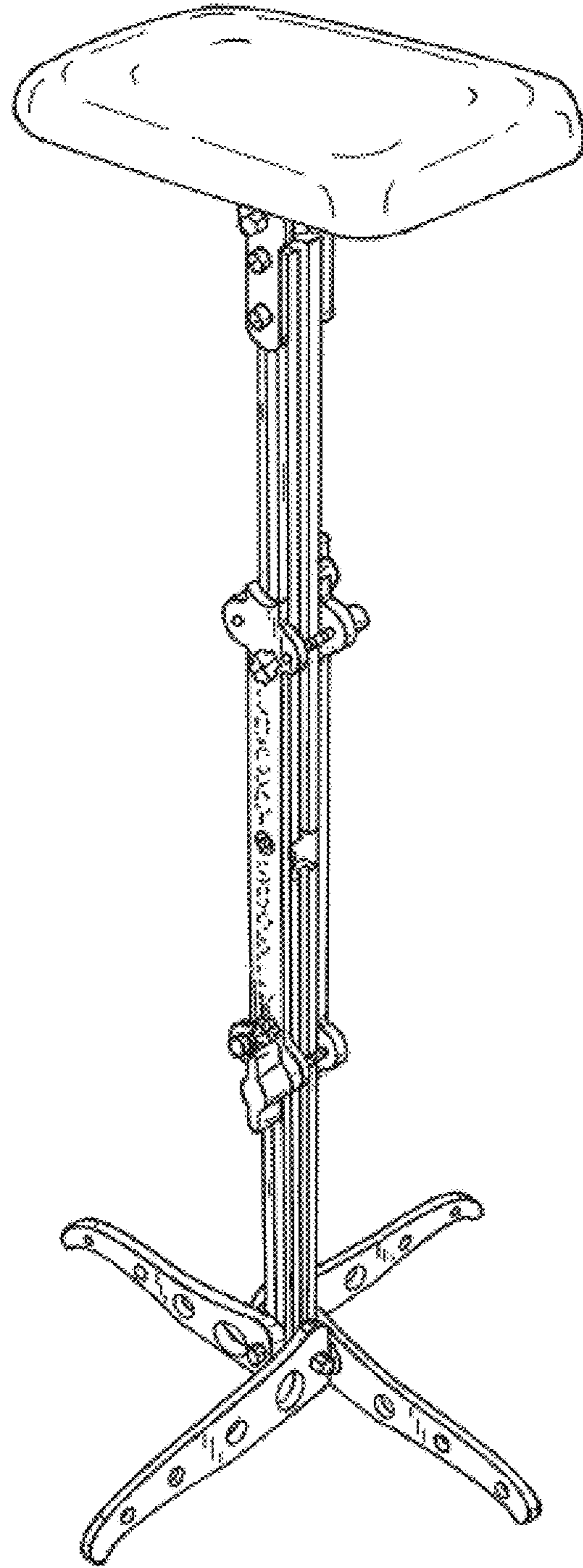


FIG. 7

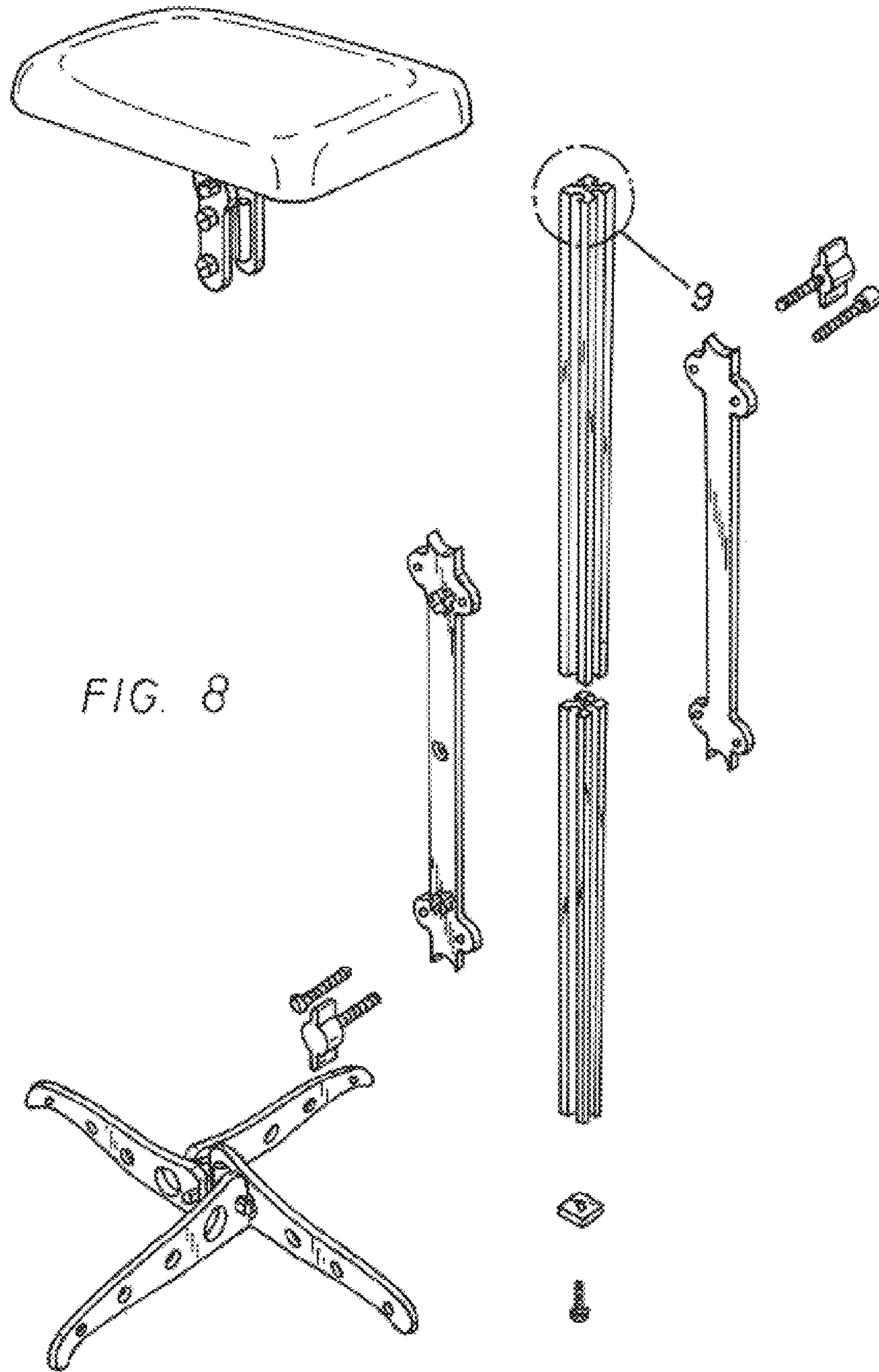


FIG. 9

