



US00D917051S

(12) **United States Design Patent**
Kauffman et al.

(10) **Patent No.:** **US D917,051 S**
(45) **Date of Patent:** **** Apr. 20, 2021**

(54) **BITE BLOCK**

D531,314 S * 10/2006 Atkinson D24/181
8,146,601 B2 * 4/2012 James, Jr. A61M 16/0493

(71) Applicant: **Chew-Chew-Train LLC**,
Bridgehampton, NY (US)

D847,350 S * 4/2019 Eaton D24/181
2017/0203067 A1 * 7/2017 Eaton A61M 16/0493

(72) Inventors: **Alisa Kauffman**, Bridgehampton, NY
(US); **John Crombie**, East Hanover, NJ
(US); **John Sinisi**, Warwick, PA (US)

* cited by examiner

Primary Examiner — Wan Laymon

(**) Term: **15 Years**

(21) Appl. No.: **29/723,421**

(22) Filed: **Feb. 6, 2020**

(51) **LOC (13) Cl.** **24-02**

(52) **U.S. Cl.**
USPC **D24/176**

(58) **Field of Classification Search**
USPC D24/176, 180–182, 152, 156
CPC A61M 16/0488; A61M 16/0493; A61M
16/049

See application file for complete search history.

(56) **References Cited**

U.S. PATENT DOCUMENTS

5,655,519 A * 8/1997 Alfery A61M 16/0493
128/200.24
6,722,361 B2 * 4/2004 Liu A61M 16/0493
128/200.26

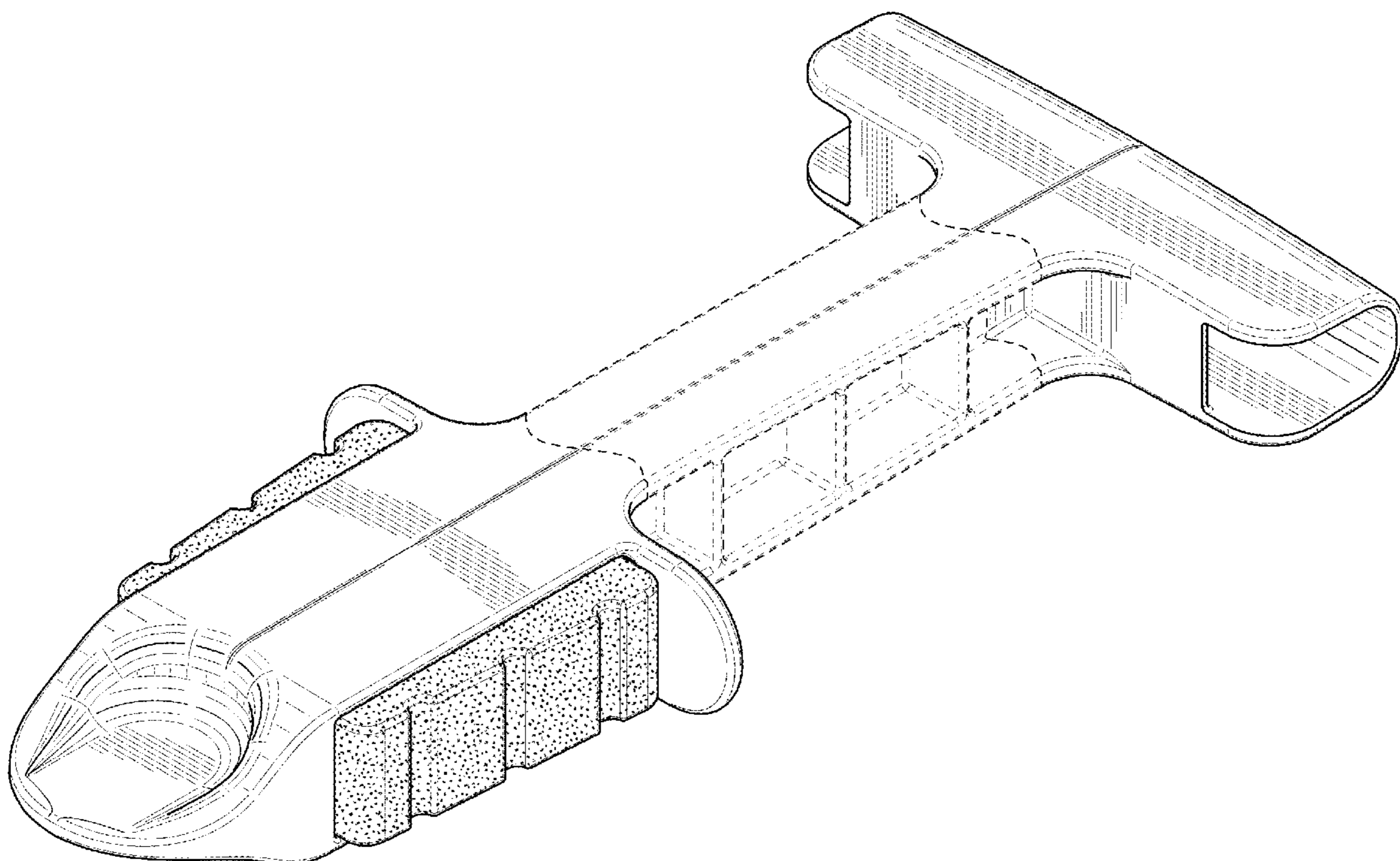
(57) **CLAIM**

We claim the ornamental design for a bite block, as shown and described.

DESCRIPTION

FIG. 1 is an upper perspective view of our new design;
FIG. 2 is a lower perspective view thereof;
FIG. 3 is a top plan view thereof;
FIG. 4 is a left elevational view thereof, the right elevational view being identical;
FIG. 5 is a back elevational view thereof; and,
FIG. 6 is a front elevational view thereof.
The broken lines along the handle are for the purpose of illustrating portions of the article and form no part of the claimed design.

1 Claim, 5 Drawing Sheets



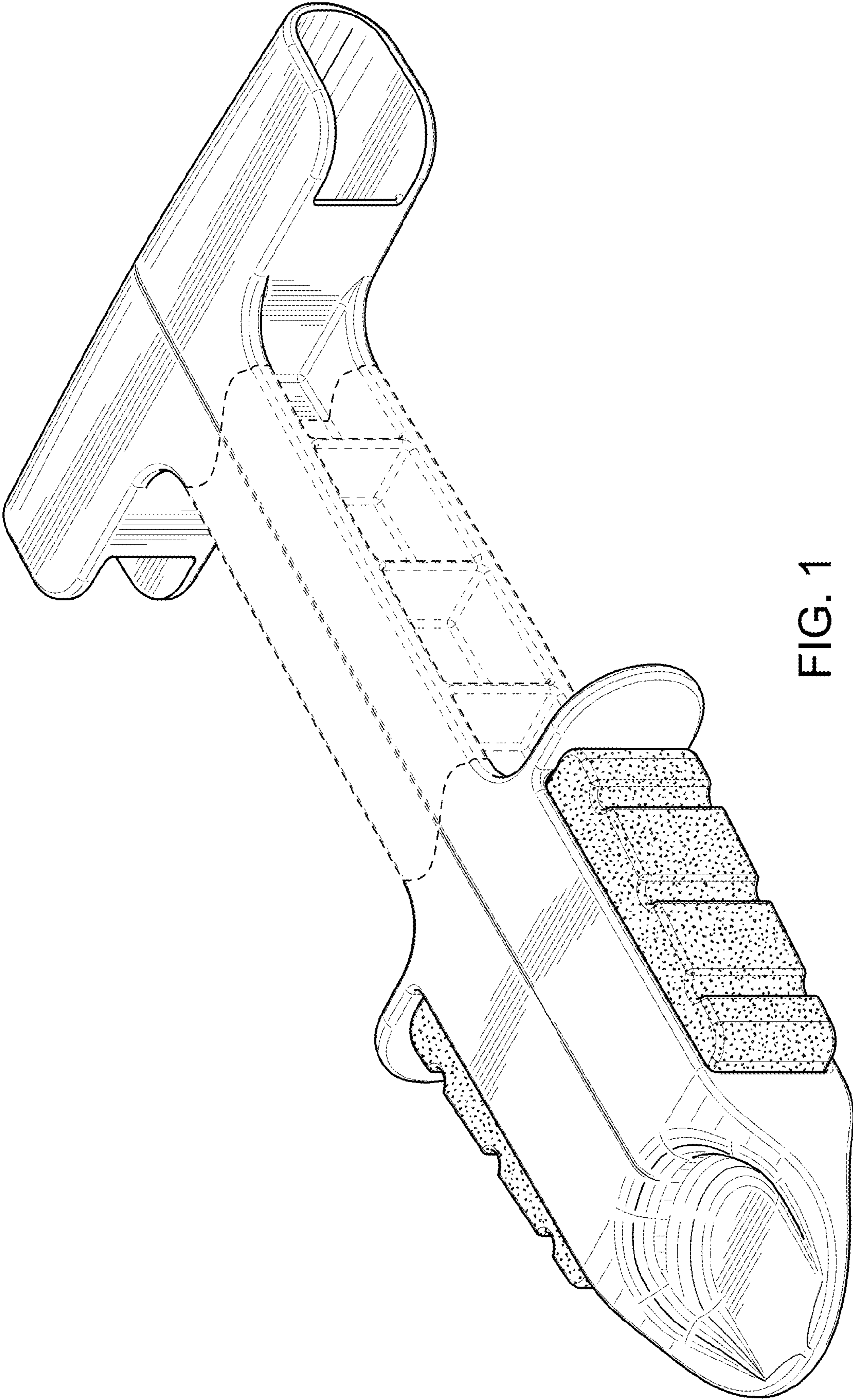


FIG. 1

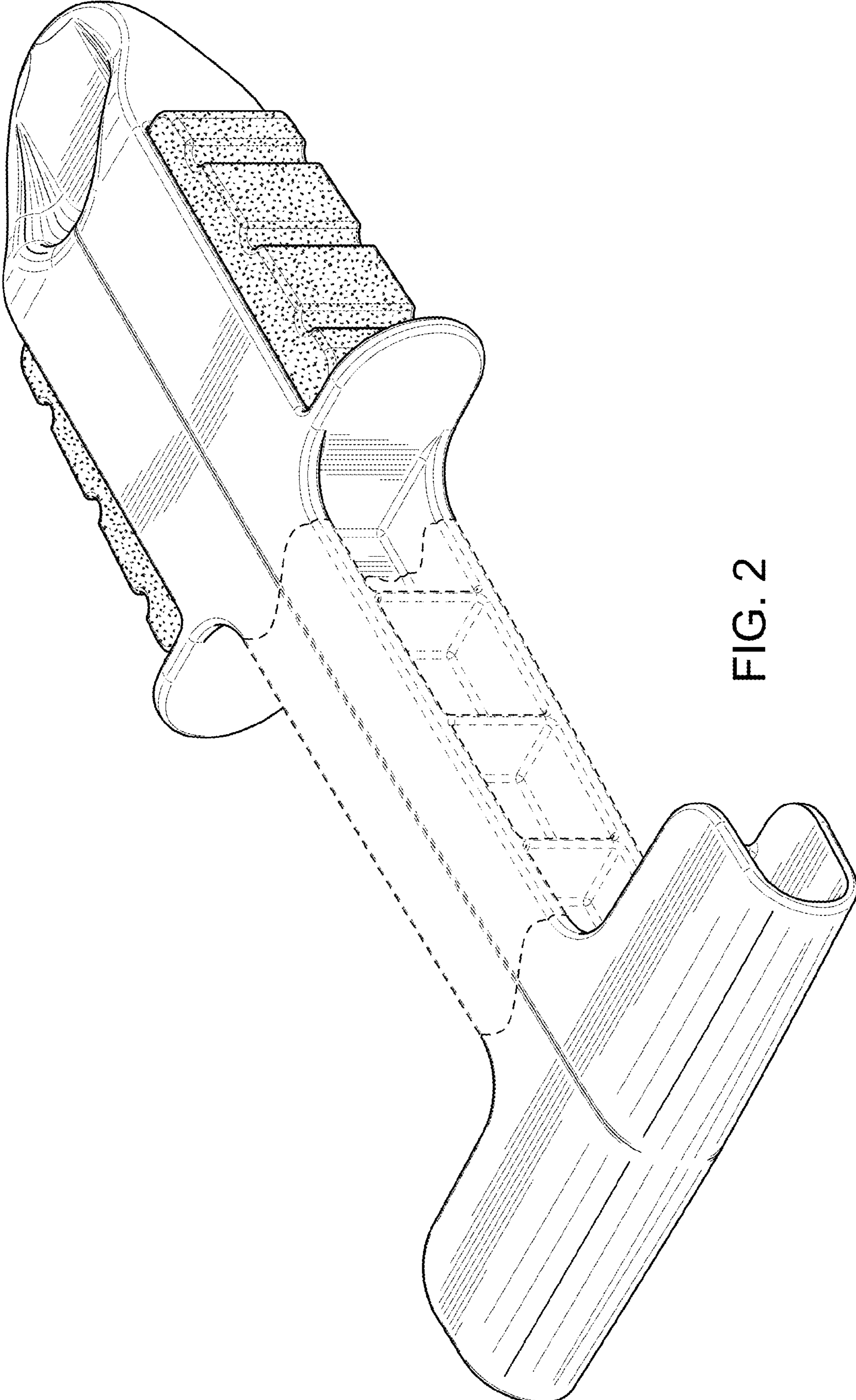


FIG. 2

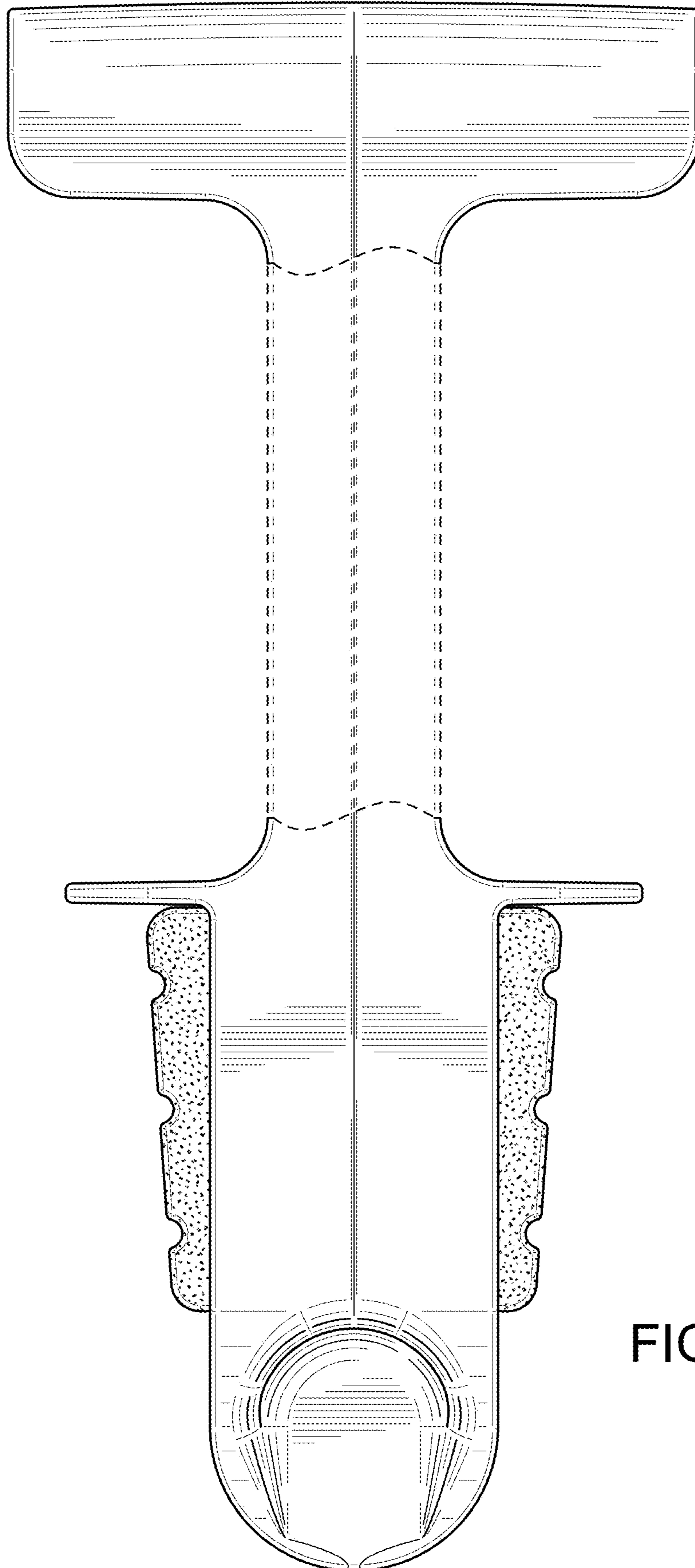


FIG. 3

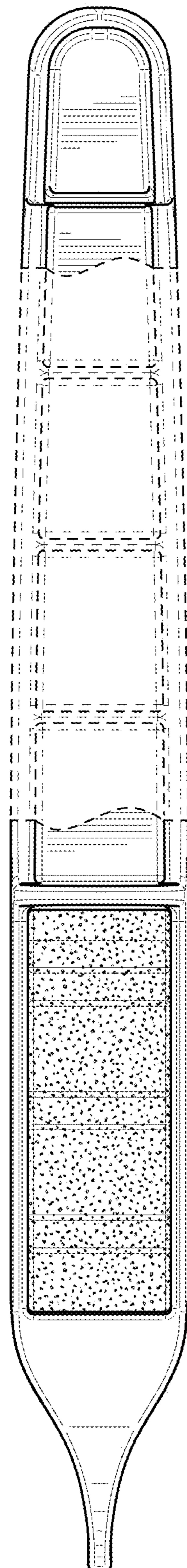


FIG. 4

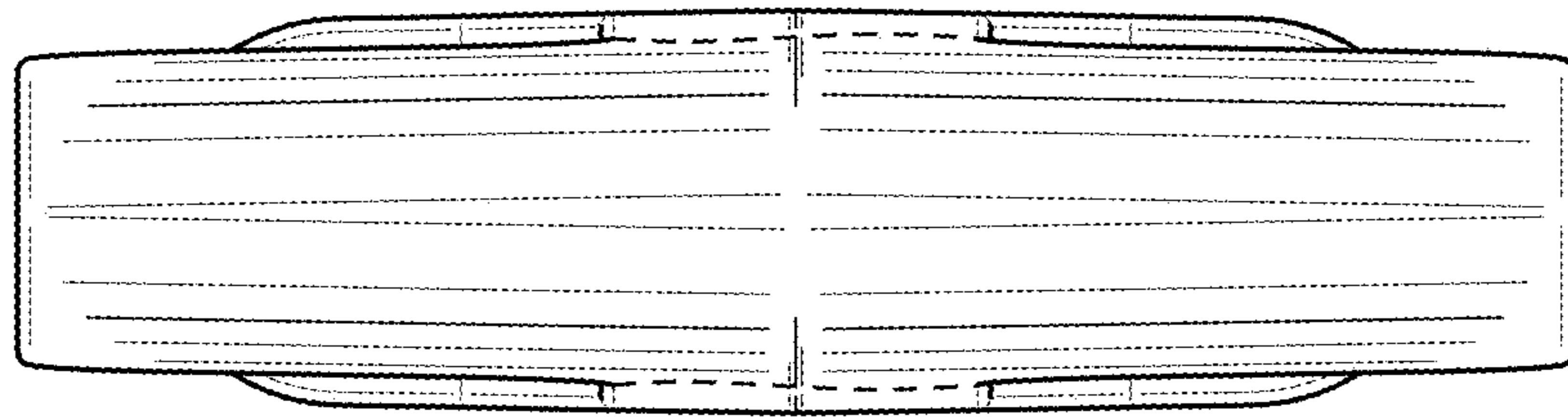


FIG. 5

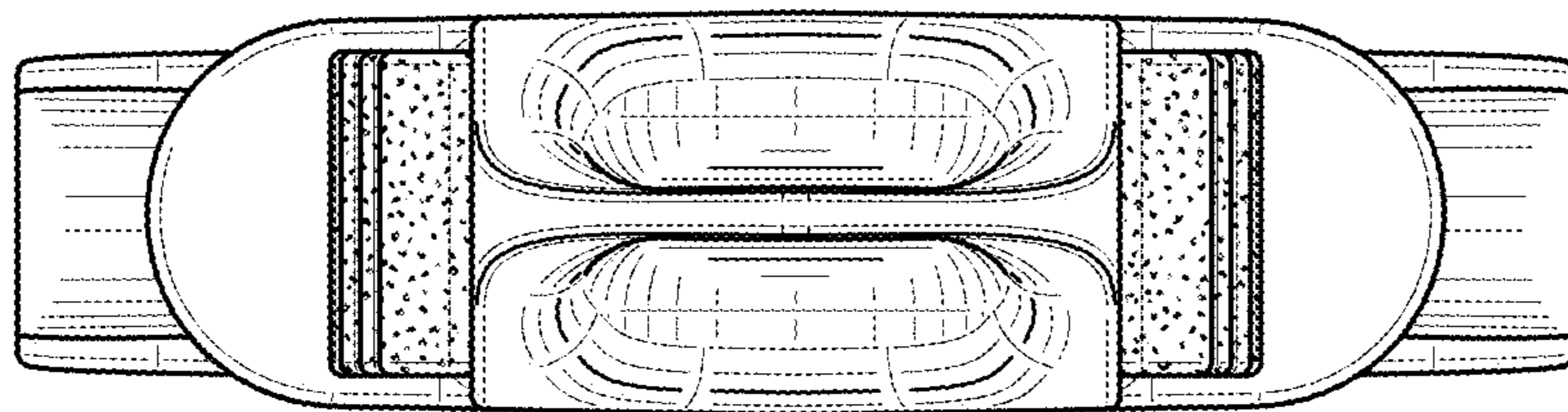


FIG. 6