



US00D917045S

(12) **United States Design Patent**
Gray

(10) **Patent No.:** **US D917,045 S**

(45) **Date of Patent:** **** Apr. 20, 2021**

(54) **SLIDE CLAMP**

(71) Applicant: **DEKA Products Limited Partnership,**
Manchester, NH (US)

(72) Inventor: **Larry B. Gray,** Merrimack, NH (US)

(73) Assignee: **DEKA Products Limited Partnership,**
Manchester, NH (US)

(**) Term: **15 Years**

(21) Appl. No.: **29/651,489**

(22) Filed: **Aug. 16, 2018**

(51) **LOC (13) Cl.** **24-02**

(52) **U.S. Cl.**
USPC **D24/129; D24/143**

(58) **Field of Classification Search**
USPC D8/71-74, 394-399, 59; 248/63, 72,
248/74.1, 689, 124.2; 81/487, 385, 386,
81/388-390; 269/3, 4, 6, 143, 165, 240,
269/243, 246-249, 254 R, 147-149;
29/256, 257, 276; 408/103, 104-109;
D24/128, 133, 143, 129, 135
CPC A61M 39/287; A61M 39/28; A61M 39/00;
Y10T 24/44906; Y10T 24/3918
See application file for complete search history.

(56) **References Cited**

U.S. PATENT DOCUMENTS

- | | | | | | |
|-----------|-----|---------|---------------|-------|-------------|
| 4,248,401 | A * | 2/1981 | Mittleman | | A61M 39/287 |
| | | | | | 24/130 |
| 4,307,869 | A * | 12/1981 | Mittleman | | A61M 39/287 |
| | | | | | 128/205.17 |
| 4,434,963 | A * | 3/1984 | Russell | | A61M 39/287 |
| | | | | | 251/7 |
| 5,290,239 | A | 3/1994 | Myren et al. | | |
| 6,261,262 | B1 | 7/2001 | Briggs et al. | | |
| 6,840,492 | B1 | 1/2005 | Boyne-Aitken | | |
| 7,124,996 | B2 | 10/2006 | Clarke et al. | | |
| 7,303,175 | B2 | 12/2007 | Smith et al. | | |

- | | | | |
|-----------|----|---------|--------------|
| 7,648,627 | B2 | 1/2010 | Beden et al. |
| 8,109,898 | B2 | 2/2012 | Wolff |
| 8,142,653 | B2 | 3/2012 | Beden et al. |
| 8,257,066 | B2 | 9/2012 | Kasai et al. |
| 8,328,763 | B2 | 12/2012 | Traversaz |

(Continued)

FOREIGN PATENT DOCUMENTS

- | | | | |
|----|--------------|----|---------|
| EP | 1778338 | B1 | 11/2011 |
| WO | WO2013095459 | A9 | 6/2013 |

(Continued)

Primary Examiner — Nathan M Johnston

(74) *Attorney, Agent, or Firm* — James D. Wyninegar, Jr.

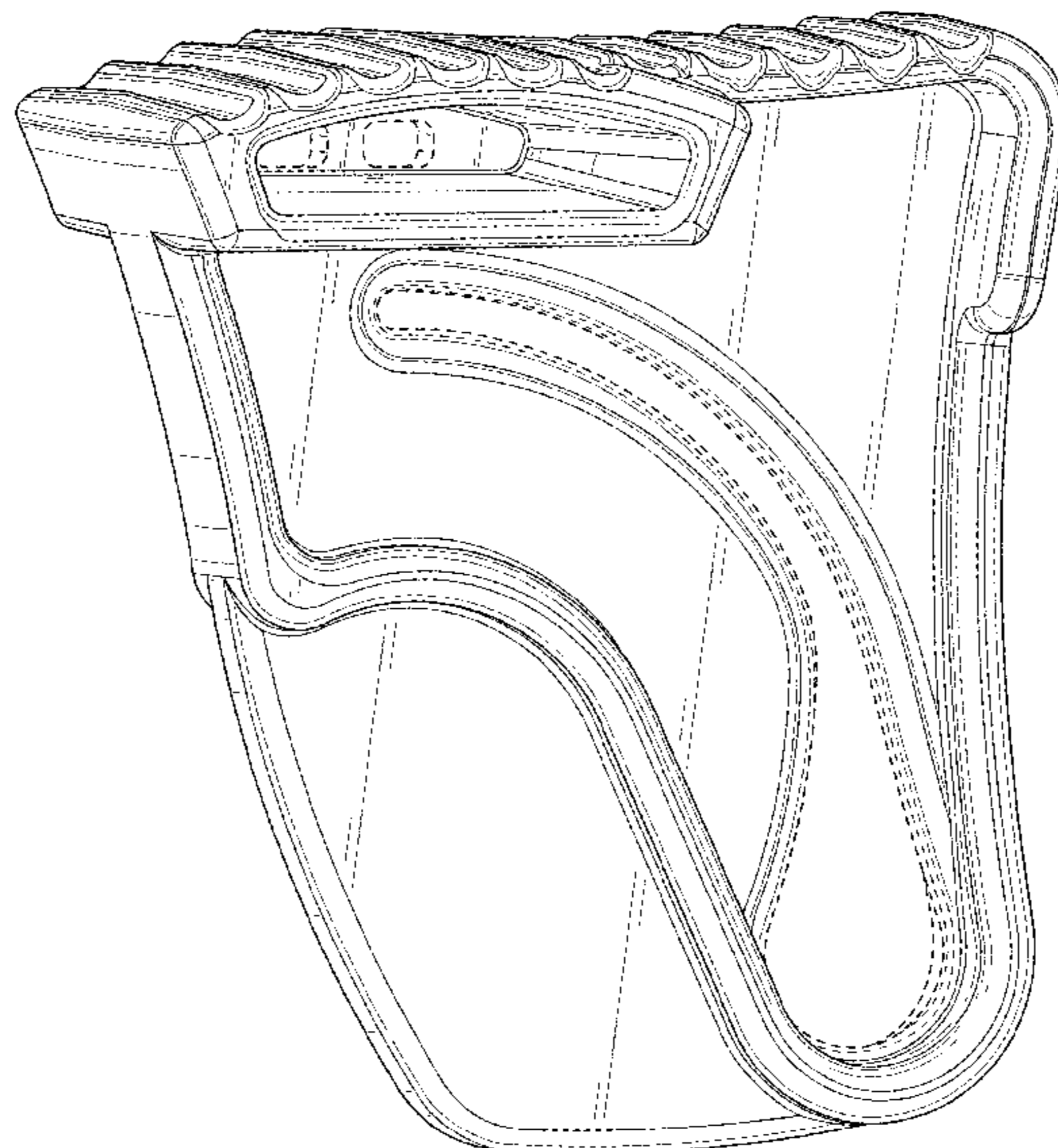
(57) **CLAIM**

The ornamental design for a slide clamp, as shown and described.

DESCRIPTION

FIG. 1 is a front, top, and right-side perspective view of the slide clamp showing our new design;
 FIG. 2 is a front elevation view thereof;
 FIG. 3 is a back elevational view thereof;
 FIG. 4 is a right-side elevational view thereof;
 FIG. 5 is a left-side elevational view thereof;
 FIG. 6 is a top plan view thereof;
 FIG. 7 is a bottom plan view thereof;
 FIG. 8 is a front, top, and right-side perspective view of another embodiment of a slide clamp, showing our new design;
 FIG. 9 is a front elevation view thereof;
 FIG. 10 is a back elevational view thereof;
 FIG. 11 is a right-side elevational view thereof;
 FIG. 12 is a left-side elevational view thereof;
 FIG. 13 is a top plan view thereof; and,
 FIG. 14 is a bottom plan view thereof.
 The broken lines show portions of the design that form no part of the claimed design

1 Claim, 14 Drawing Sheets



(56)

References Cited

U.S. PATENT DOCUMENTS

8,366,921 B2	2/2013	Beden et al.	9,968,730 B2	5/2018	Blumberg, Jr. et al.
8,377,293 B2	2/2013	Beden et al.	9,976,665 B2	5/2018	Peret et al.
8,435,408 B2	5/2013	Beden et al.	10,044,791 B2	8/2018	Kamen et al.
8,679,075 B2	3/2014	Lurvey et al.	2005/0277890 A1*	12/2005	Stewart G16H 20/17 604/189
8,721,883 B2	5/2014	Lauer	2006/0011873 A1*	1/2006	Clarke F16K 7/066 251/4
9,017,297 B2	4/2015	Travis et al.	2006/0224128 A1*	10/2006	Lurvey A61M 5/172 604/250
D728,779 S	5/2015	Sabin et al.	2009/0204075 A1*	8/2009	Simpson A61M 5/162 604/151
9,028,456 B2	5/2015	Kasai et al.	2009/0254034 A1	10/2009	Beck et al.
D735,319 S	7/2015	Sabin et al.	2010/0040481 A1	2/2010	Wolff
D736,370 S	8/2015	Sabin et al.	2011/0313789 A1	12/2011	Kamen et al.
9,101,709 B2	8/2015	Beden et al.	2012/0004624 A1*	1/2012	Brown A61M 39/287 604/250
9,151,646 B2	10/2015	Kamen et al.	2012/0035581 A1*	2/2012	Travis A61M 39/28 604/500
D745,661 S	12/2015	Collins et al.	2012/0061310 A1	3/2012	Beden et al.
D749,206 S	2/2016	Johnson et al.	2012/0156097 A1	6/2012	Beden et al.
D751,689 S	3/2016	Peret et al.	2012/0181225 A1	7/2012	Weis
D751,690 S	3/2016	Peret et al.	2012/0181226 A1	7/2012	Lauer
D752,209 S	3/2016	Peret et al.	2012/0181231 A1	7/2012	Beden et al.
9,272,129 B2	3/2016	Howlett et al.	2012/0185267 A1	7/2012	Kamen
9,283,370 B2	3/2016	Travis et al.	2013/0118961 A1	5/2013	Beden et al.
9,295,778 B2	3/2016	Kamen et al.	2013/0118970 A1	5/2013	Beden et al.
D754,065 S	4/2016	Gray et al.	2013/0131608 A1	5/2013	Davis et al.
D756,386 S	5/2016	Kendler et al.	2013/0177455 A1	7/2013	Kamen
D758,399 S	6/2016	Kendler et al.	2013/0177476 A1*	7/2013	Hlavinka F16L 3/12 422/28
D760,288 S	6/2016	Kendler et al.	2013/0182381 A1	7/2013	Gray
D760,289 S	6/2016	Kendler et al.	2013/0184676 A1	7/2013	Kamen
9,364,394 B2	6/2016	Demers et al.	2013/0188040 A1	7/2013	Kamen
9,372,486 B2	6/2016	Peret et al.	2013/0191513 A1	7/2013	Kamen
9,377,015 B2	6/2016	Traversaz et al.	2013/0197693 A1	8/2013	Kamen
D760,782 S	7/2016	Kendler et al.	2013/0204188 A1	8/2013	Kamen
D760,888 S	7/2016	Gill et al.	2013/0253442 A1	9/2013	Travis et al.
9,400,873 B2	7/2016	Kamen et al.	2013/0272773 A1	10/2013	Kamen
9,408,966 B2	8/2016	Kamen	2013/0281965 A1	10/2013	Kamen
D767,756 S	9/2016	Sabin	2013/0297330 A1	11/2013	Kamen
9,435,455 B2	9/2016	Peret et al.	2013/0310990 A1	11/2013	Peret et al.
D768,716 S	10/2016	Kendler et al.	2013/0317753 A1	11/2013	Kamen
9,465,919 B2	10/2016	Kamen et al.	2013/0317837 A1	11/2013	Ballantyne
9,488,200 B2	11/2016	Kamen et al.	2013/0336814 A1	12/2013	Kamen
D774,645 S	12/2016	Gill et al.	2013/0339049 A1	12/2013	Blumberg, Jr.
9,518,958 B2	12/2016	Wilt et al.	2013/0346108 A1	12/2013	Kamen
9,636,455 B2	5/2017	Kamen et al.	2014/0165703 A1	6/2014	Wilt
D789,516 S	6/2017	Gill et al.	2014/0180711 A1	6/2014	Kamen
9,675,756 B2	6/2017	Kamen et al.	2014/0188076 A1	7/2014	Kamen
9,677,555 B2	6/2017	Kamen et al.	2014/0188516 A1	7/2014	Kamen
9,687,417 B2	6/2017	Demers et al.	2014/0195639 A1	7/2014	Kamen
D792,963 S	7/2017	Gill	2014/0227021 A1	8/2014	Kamen
D795,424 S	8/2017	Sloss	2014/0234144 A1	8/2014	Traversaz et al.
D795,805 S	8/2017	Gray et al.	2014/0318639 A1	10/2014	Peret
9,719,964 B2	8/2017	Blumberg	2014/0343492 A1	11/2014	Kamen
9,724,465 B2	8/2017	Peret et al.	2015/0002667 A1	1/2015	Peret et al.
9,724,466 B2	8/2017	Peret et al.	2015/0002668 A1	1/2015	Peret et al.
9,724,467 B2	8/2017	Peret et al.	2015/0002677 A1	1/2015	Peret et al.
9,730,731 B2	8/2017	Langenfeld et al.	2015/0033823 A1	2/2015	Blumberg, Jr.
9,744,300 B2	8/2017	Kamen et al.	2015/0040987 A1*	2/2015	Reichert A61M 39/10 137/1
9,746,093 B2	8/2017	Peret et al.	2015/0154364 A1	6/2015	Biasi et al.
9,746,094 B2	8/2017	Peret et al.	2015/0157791 A1	6/2015	Desch et al.
9,759,343 B2	9/2017	Peret et al.	2015/0165105 A1	6/2015	Beden et al.
9,759,369 B2	9/2017	Gray et al.	2015/0238228 A1	8/2015	Langenfeld et al.
9,772,044 B2	9/2017	Peret et al.	2015/0257974 A1	9/2015	Demers et al.
D799,025 S	10/2017	Johnson et al.	2015/0314083 A1	11/2015	Blumberg, Jr. et al.
D801,519 S	10/2017	Sabin et al.	2015/0332009 A1	11/2015	Kane et al.
9,789,247 B2	10/2017	Kamen et al.	2016/0000996 A1	1/2016	Faulhaber et al.
D802,118 S	11/2017	Peret et al.	2016/0055397 A1	2/2016	Peret et al.
D803,386 S	11/2017	Sabin et al.	2016/0055649 A1	2/2016	Peret et al.
D803,387 S	11/2017	Bodwell et al.	2016/0061641 A1	3/2016	Peret et al.
D804,017 S	11/2017	Sabin	2016/0063353 A1	3/2016	Peret et al.
9,808,572 B2	11/2017	Kamen et al.	2016/0084434 A1	3/2016	Janway et al.
D805,183 S	12/2017	Sabin et al.	2016/0097382 A1	4/2016	Kamen et al.
9,856,990 B2	1/2018	Peret et al.	2016/0131272 A1	5/2016	Yoo
D813,376 S	3/2018	Peret et al.	2016/0151560 A1	6/2016	Toro et al.
D814,021 S	3/2018	Sabin	2016/0151561 A1	6/2016	Toro et al.
D815,730 S	4/2018	Collins et al.			
D816,685 S	5/2018	Kendler et al.			
D816,829 S	5/2018	Peret et al.			
D817,479 S	5/2018	Sabin et al.			
D817,480 S	5/2018	Sabin et al.			

(56)

References Cited

U.S. PATENT DOCUMENTS

2016/0151562 A1 6/2016 Magers et al.
 2016/0151567 A1 6/2016 Howlett et al.
 2016/0158437 A1 6/2016 Biasi et al.
 2016/0179086 A1 6/2016 Peret et al.
 2016/0184510 A1 6/2016 Kamen et al.
 2016/0203292 A1 7/2016 Kamen et al.
 2016/0262977 A1 9/2016 Demers et al.
 2016/0319850 A1 11/2016 Kamen et al.
 2016/0346056 A1 12/2016 Demers et al.
 2016/0346484 A1 12/2016 Abal
 2016/0362234 A1 12/2016 Peret et al.
 2017/0011202 A1 1/2017 Kamen et al.
 2017/0045478 A1 2/2017 Wilt et al.
 2017/0136227 A1 5/2017 Davis et al.
 2017/0216516 A1 8/2017 Dale et al.
 2017/0224909 A1 8/2017 Kamen et al.
 2017/0259230 A1 9/2017 Demers et al.
 2017/0266378 A1 9/2017 Kamen et al.
 2017/0268497 A1 9/2017 Kamen et al.
 2017/0284968 A1 10/2017 Blumberg, Jr.
 2017/0296745 A1 10/2017 Kamen et al.
 2017/0303969 A1 10/2017 Langenfeld et al.
 2017/0321841 A1 11/2017 Gray et al.
 2017/0333623 A1 11/2017 Kamen et al.

2017/0335988 A1 11/2017 Peret et al.
 2018/0038501 A1 2/2018 Peret et al.
 2018/0066648 A1 3/2018 Kamen et al.
 2018/0080605 A1 3/2018 Janway et al.
 2018/0106246 A1 4/2018 Kamen et al.
 2018/0128259 A1 5/2018 Kamen et al.
 2018/0187782 A1 7/2018 Slaby et al.
 2018/0221643 A1 8/2018 Hetchler et al.

FOREIGN PATENT DOCUMENTS

WO WO2013096713 A2 6/2013
 WO WO2013096718 A2 6/2013
 WO WO2013096722 A2 6/2013
 WO WO2013096909 A2 6/2013
 WO WO2013176770 A2 11/2013
 WO WO2013177357 A1 11/2013
 WO WO2014100557 A2 6/2014
 WO WO2014100571 A2 6/2014
 WO WO2014100658 A1 6/2014
 WO WO2014100687 A2 6/2014
 WO WO2014100736 A2 6/2014
 WO WO2014100744 A2 6/2014
 WO WO2014144557 A2 9/2014
 WO WO2015017275 A1 2/2015

* cited by examiner

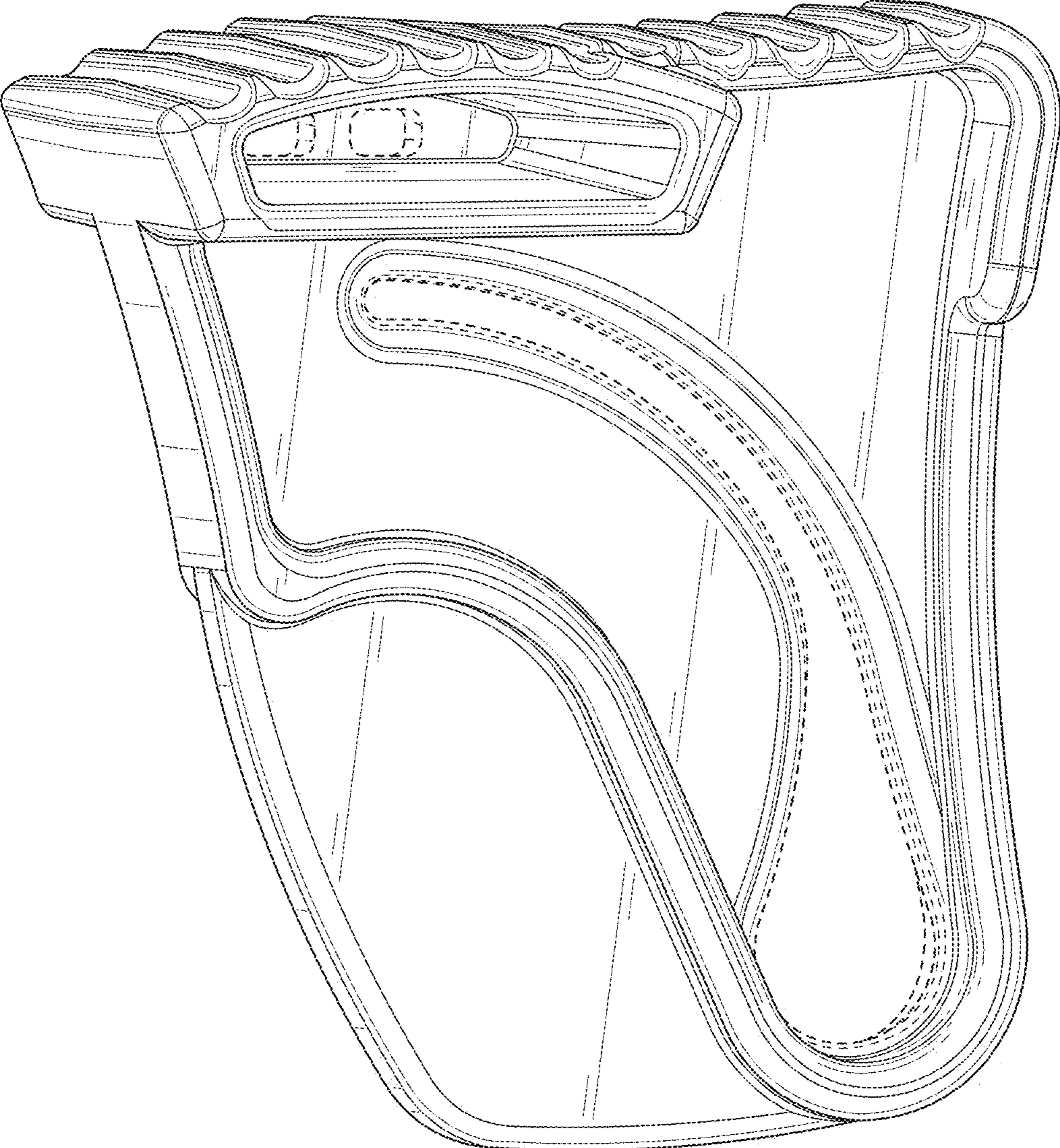


FIG. 1

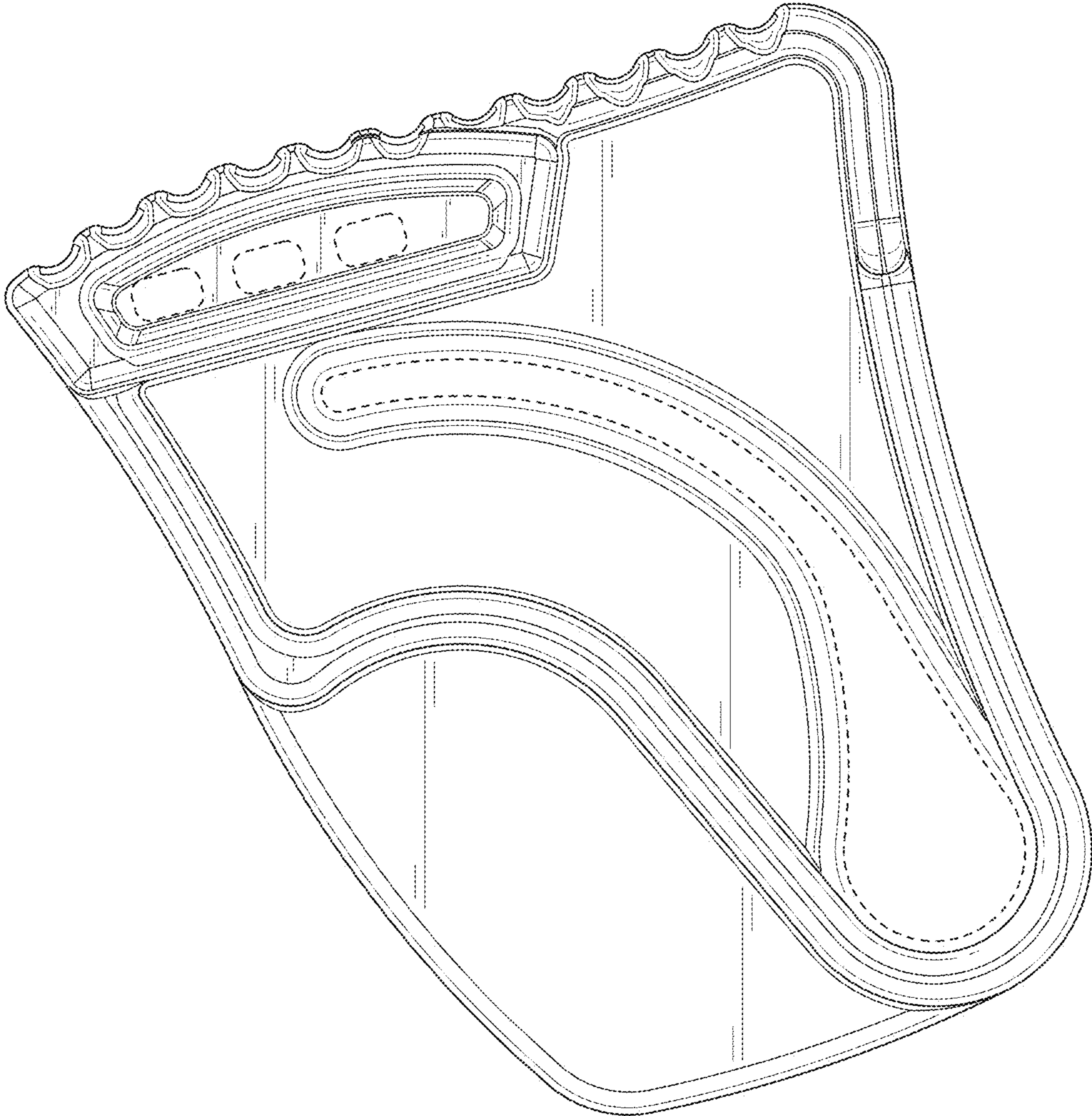


FIG. 2

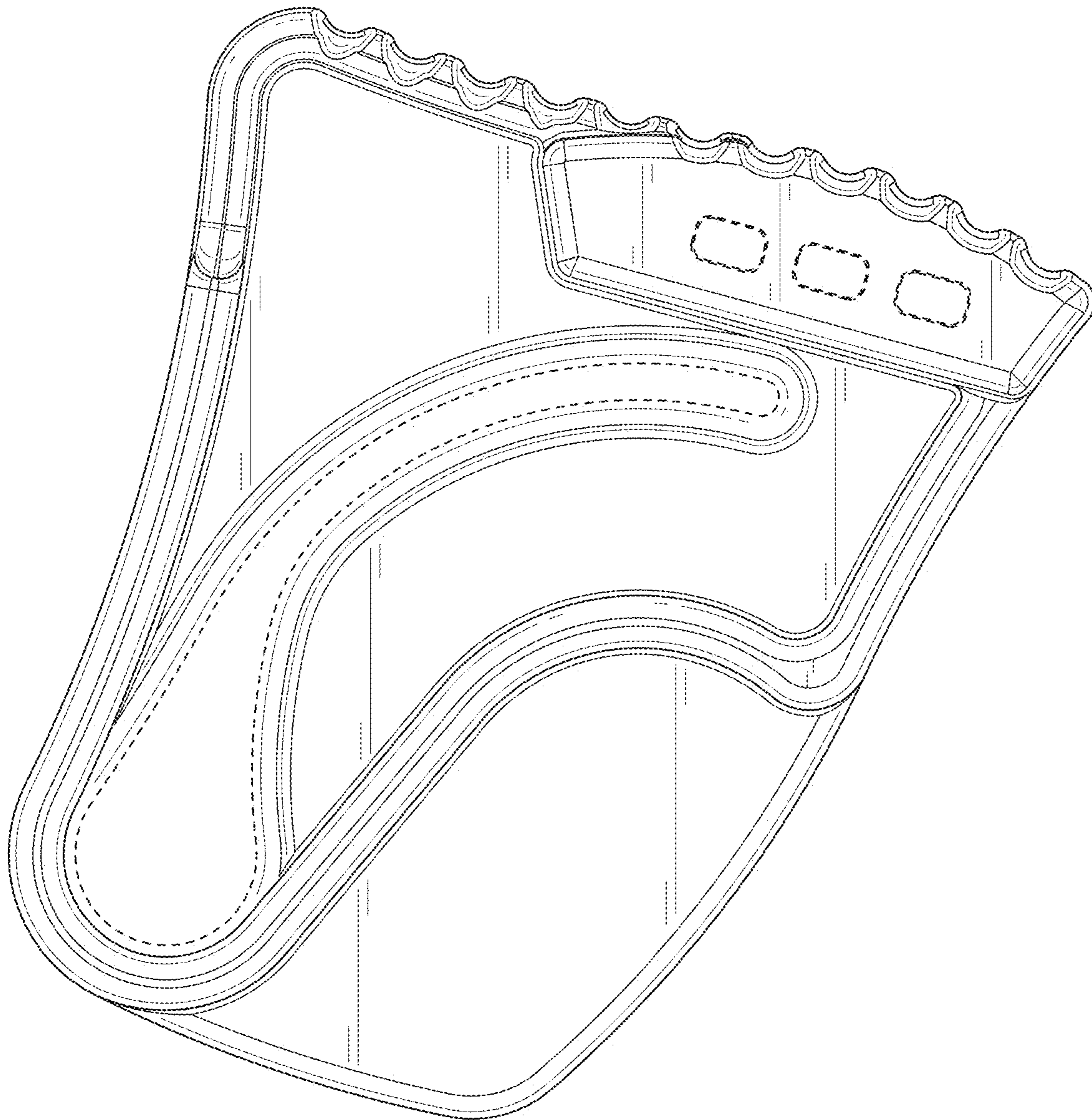


FIG. 3

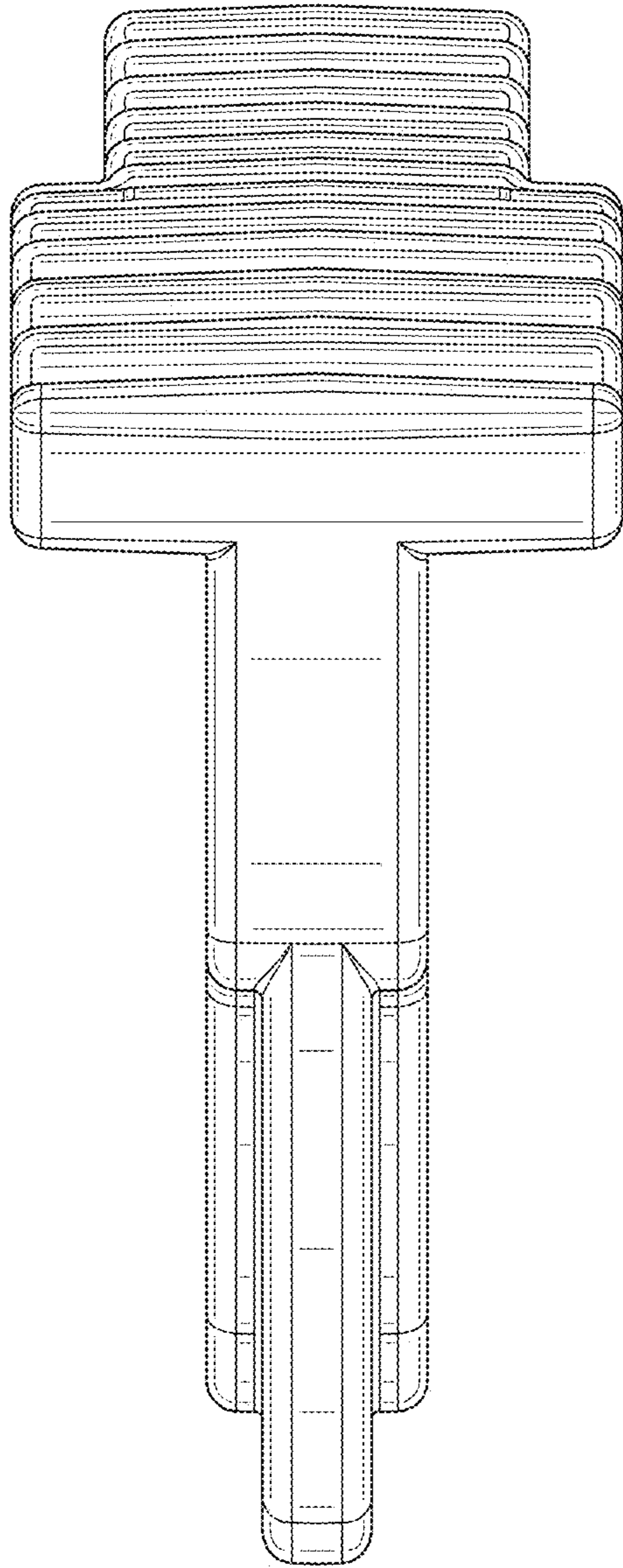


FIG. 4

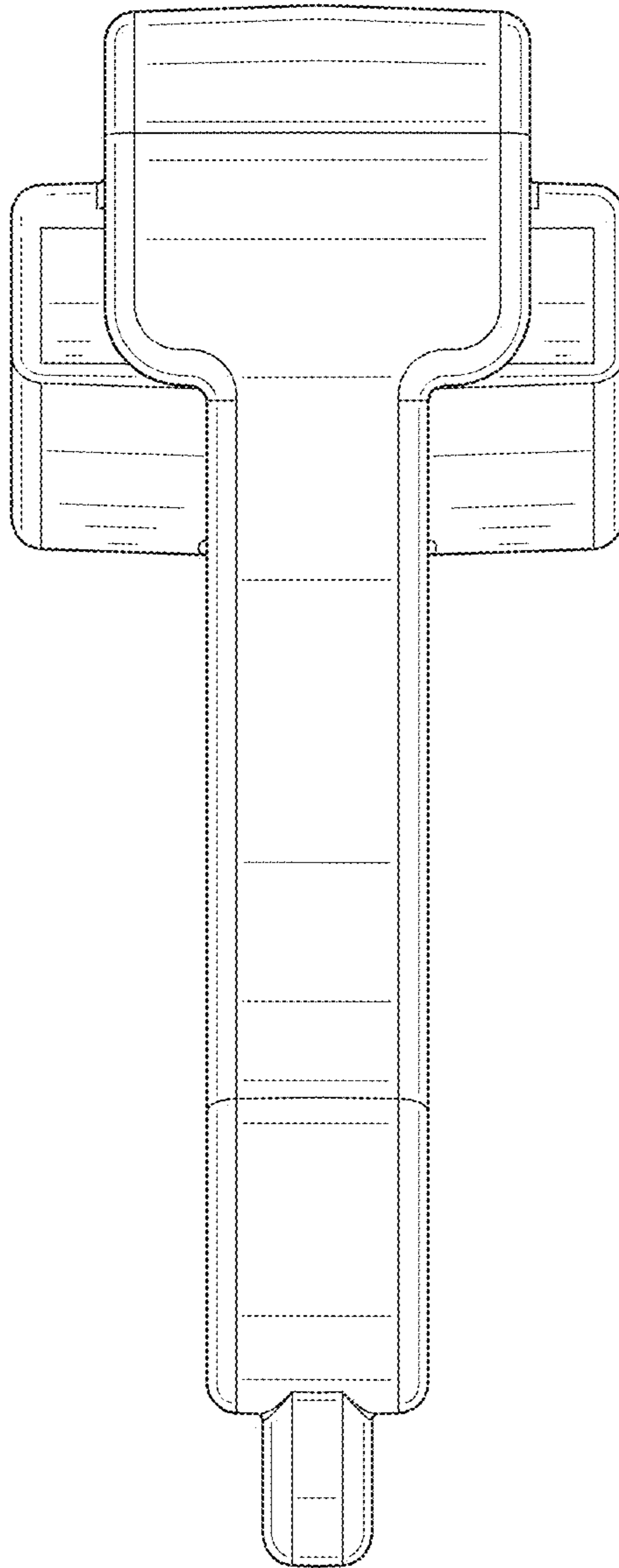


FIG. 5

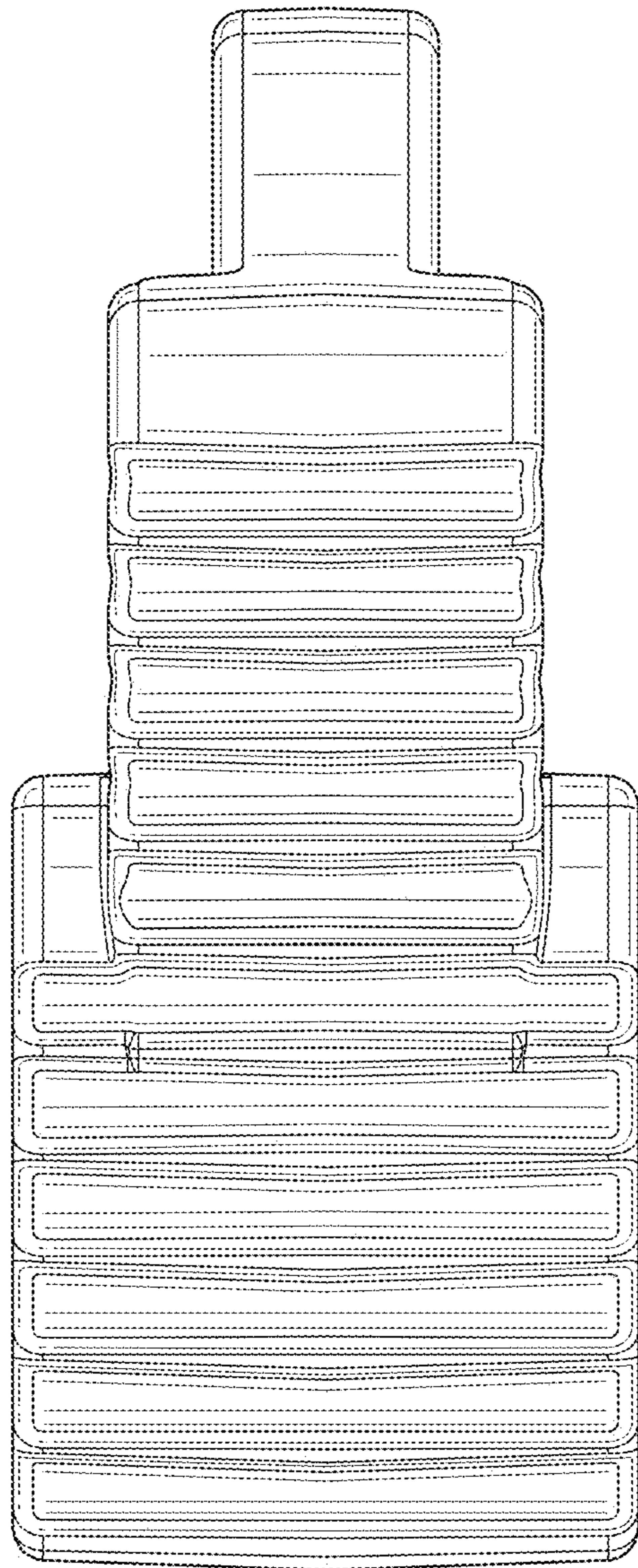


FIG. 6

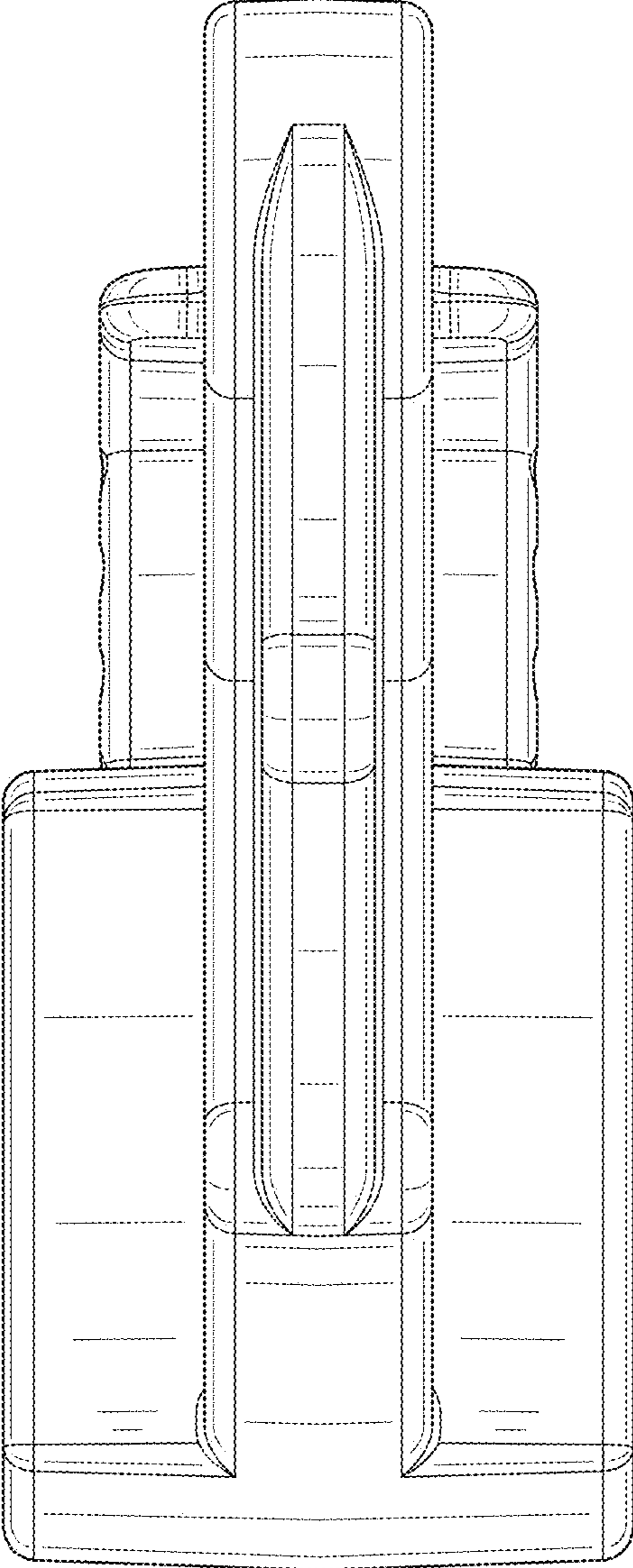


FIG. 7

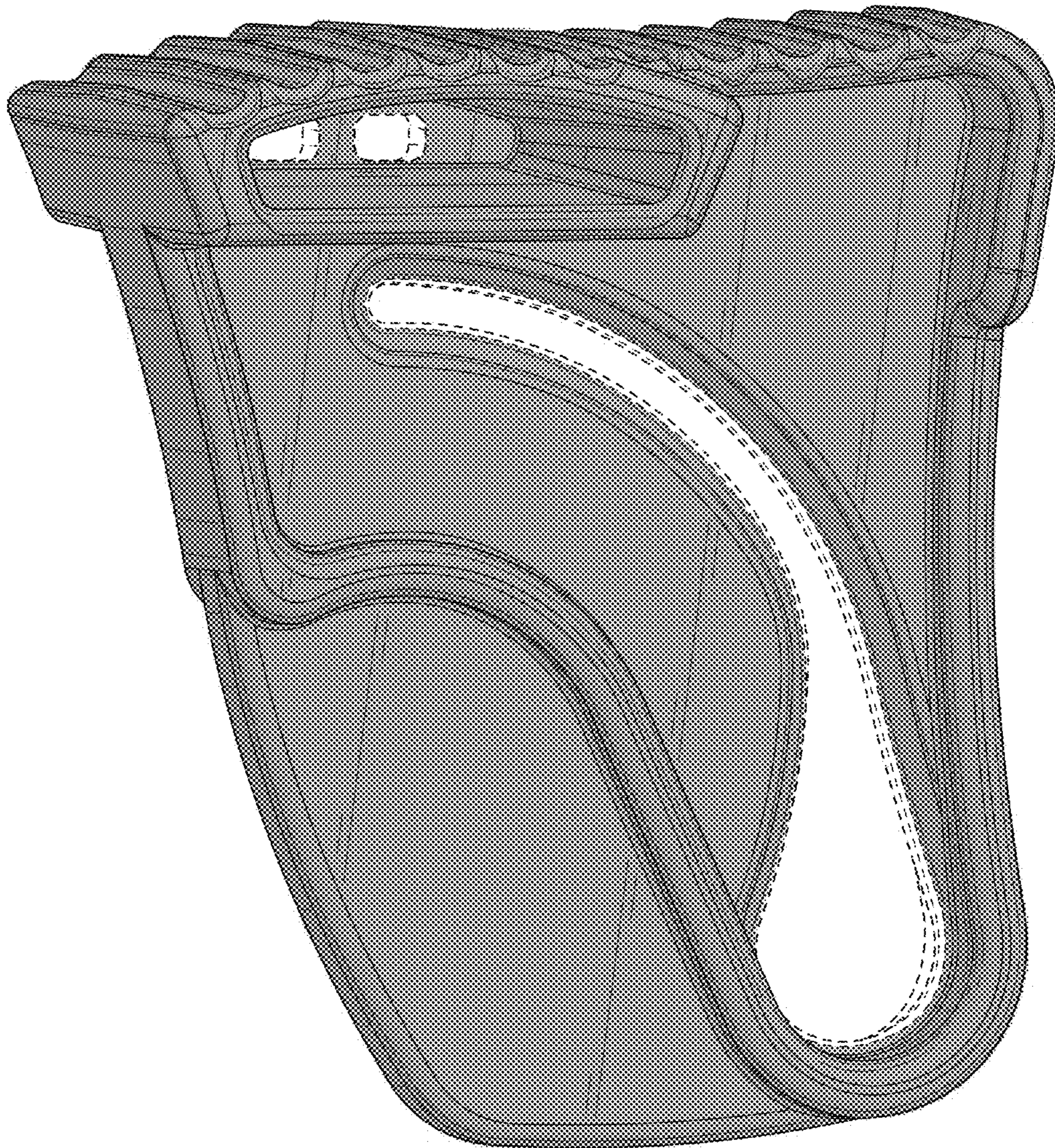


FIG. 8

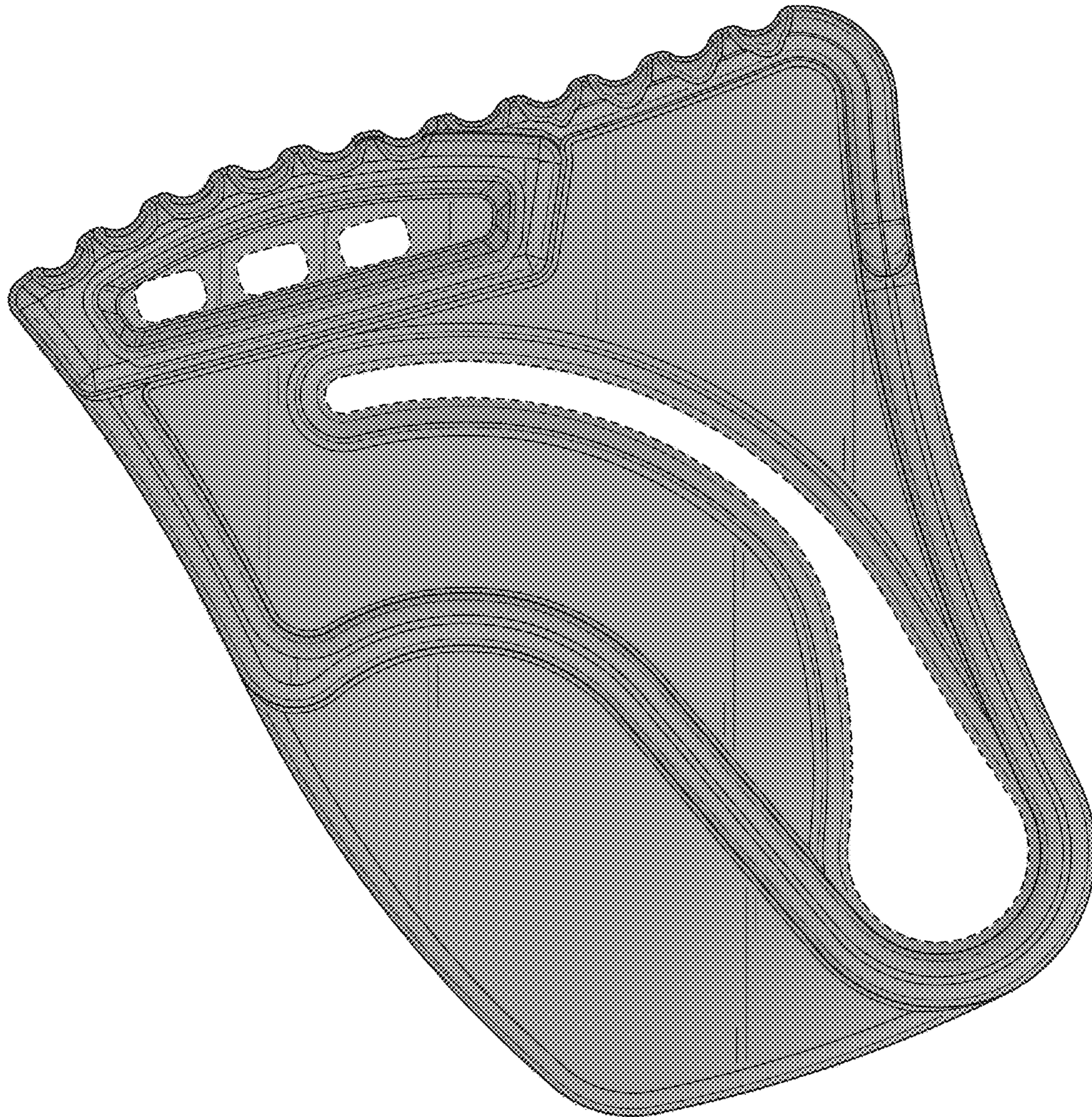


FIG. 9

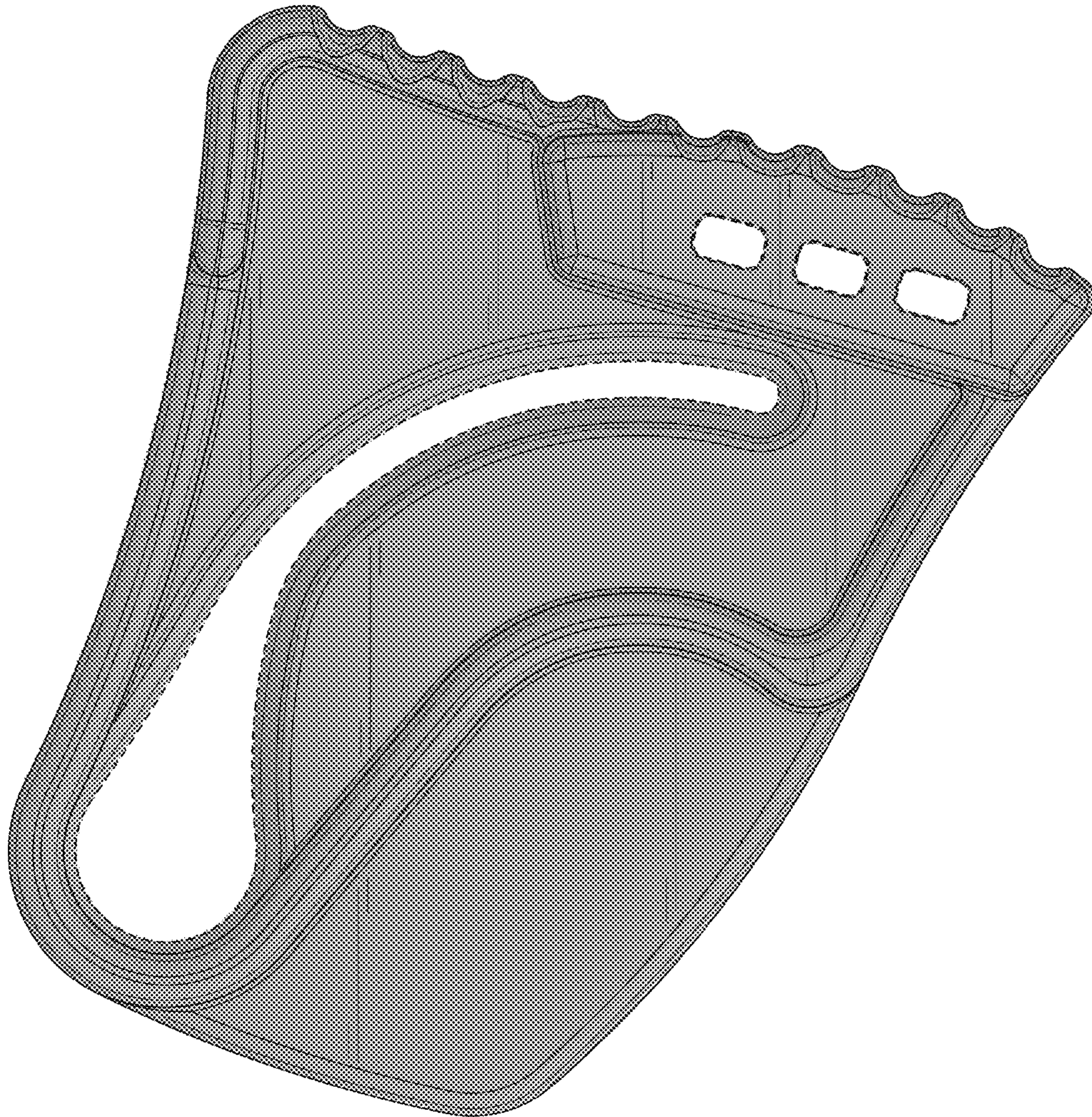


FIG. 10

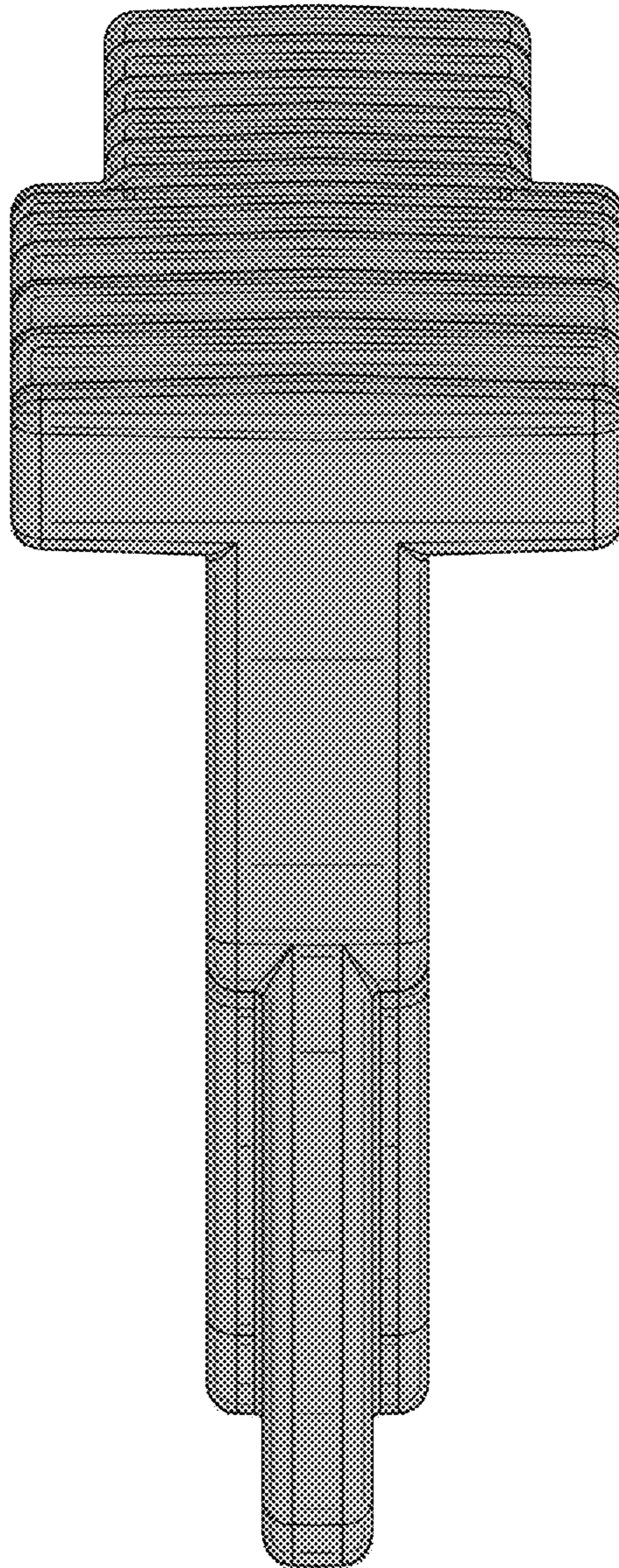


FIG. 11

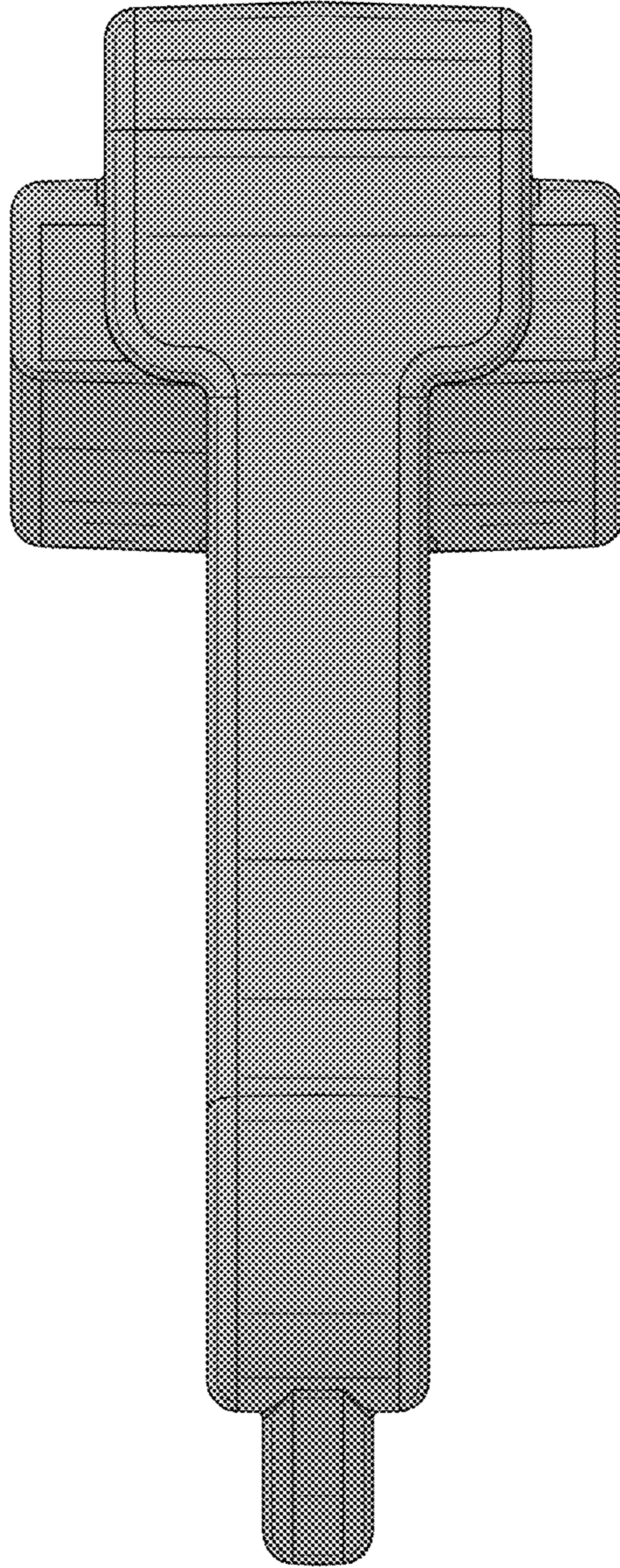


FIG. 12

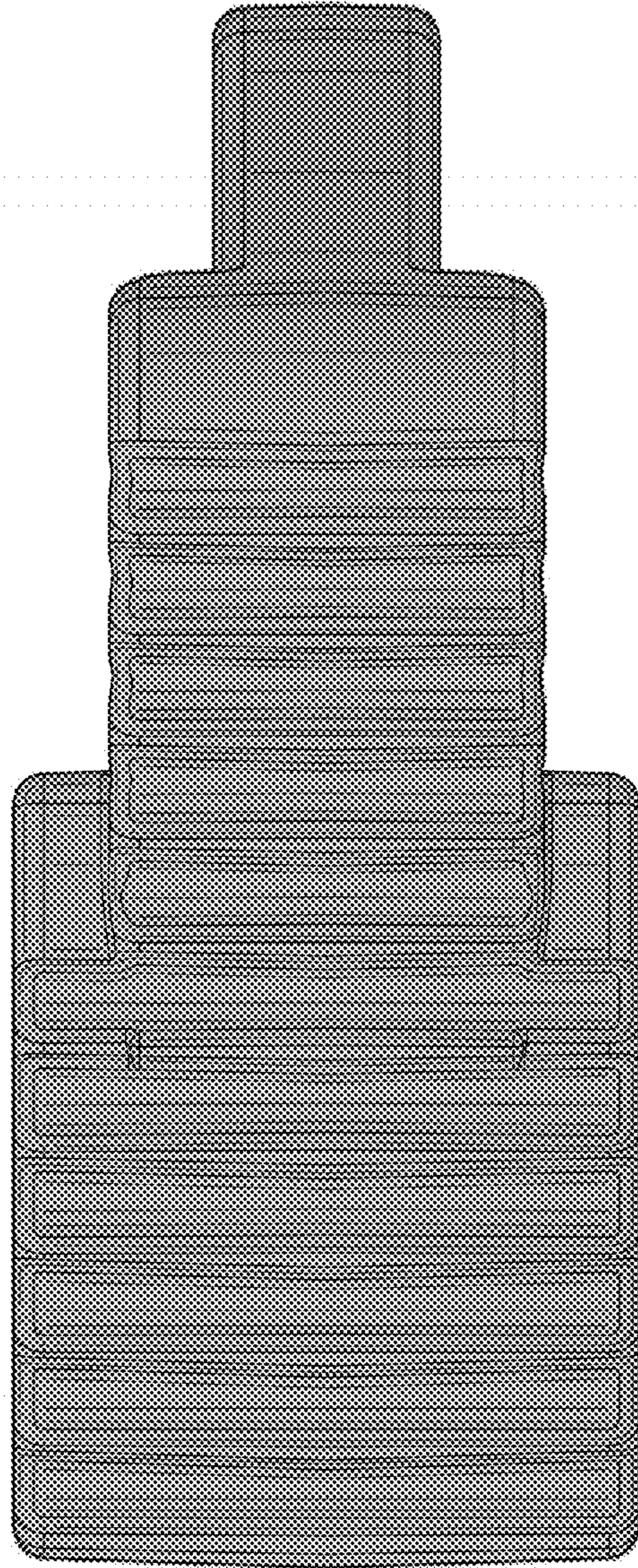


FIG. 13

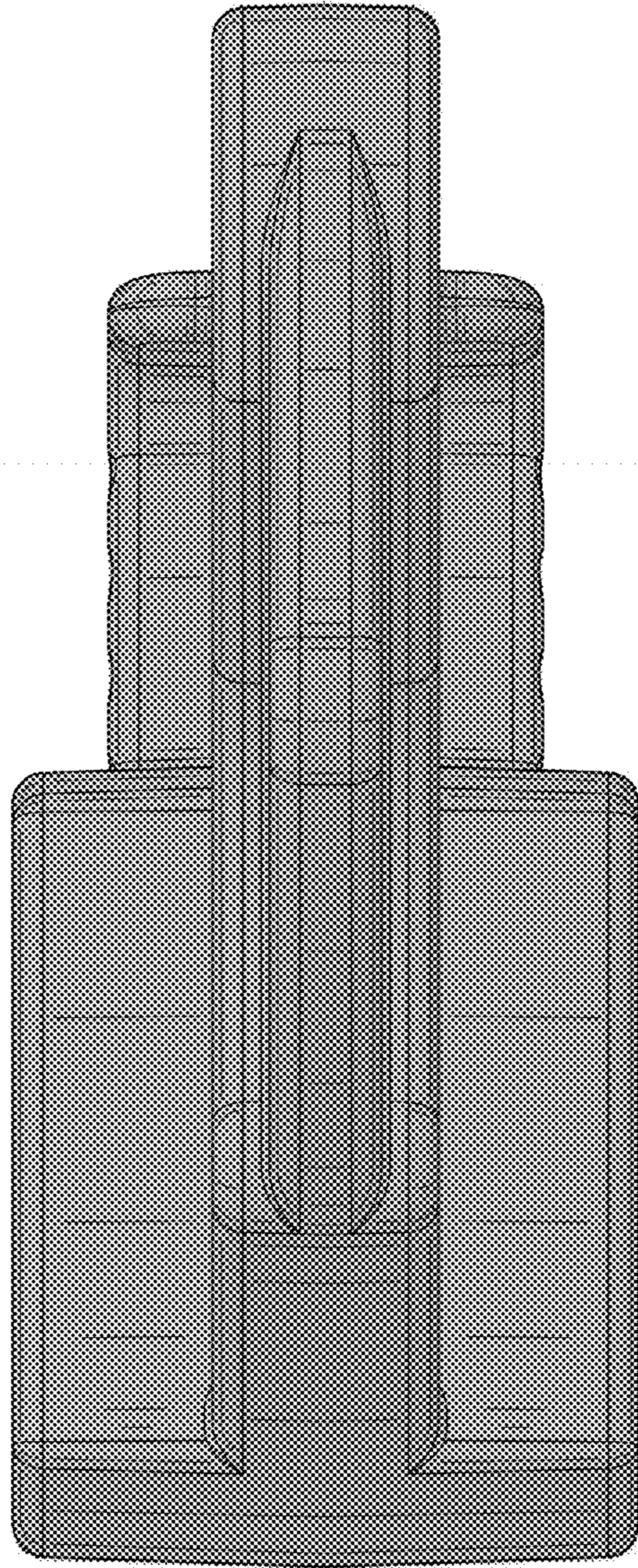


FIG. 14