



US00D917041S

(12) **United States Design Patent**
Stengele et al.

(10) **Patent No.: US D917,041 S**

(45) **Date of Patent: ** *Apr. 20, 2021**

- (54) **SUCTION CANNULA**
- (71) Applicant: **Karl Storz SE & Co. KG**, Tuttlingen (DE)
- (72) Inventors: **Mathias Stengele**, Aach (DE); **Stefan Ringgenburger**, VS-Schwenningen (DE); **Andreas Efinger**, Rietheim-Weilheim (DE)
- (73) Assignee: **KARL STORZ SE & CO. KG**, Tuttlingen (DE)
- (*) Notice: This patent is subject to a terminal disclaimer.
- (**) Term: **15 Years**
- (21) Appl. No.: **29/691,125**
- (22) Filed: **May 14, 2019**
- (30) **Foreign Application Priority Data**

Nov. 26, 2018 (EM) 00583467-0001

- (51) **LOC (13) Cl.** **24-02**
- (52) **U.S. Cl.**
USPC **D24/112**

- (58) **Field of Classification Search**
USPC D24/112-114, 108, 130, 127, 133, 186; 606/181, 185; 604/264, 523-528, 272, 604/164.01-164.11, 187, 93.01; 600/101, 600/139, 143; 128/200.24, 207.14, 128/207.15
CPC .. A61M 25/065; A61M 5/42; A61M 25/0612; A61M 25/00; A61M 39/00; A61M 27/00; A61M 25/0043; A61M 25/0067; A61M 25/0097; A61F 2/958
See application file for complete search history.

- (56) **References Cited**
U.S. PATENT DOCUMENTS
5,738,666 A * 4/1998 Watson A61B 1/00135
604/247
6,007,544 A * 12/1999 Kim A61B 17/11
606/108

- 7,740,614 B2 * 6/2010 Murashita A61M 25/0637
604/164.08
- 7,875,000 B2 * 1/2011 Krebs A61M 1/06
604/73
- 8,931,637 B2 * 1/2015 Deeds A61M 25/002
206/364
- D728,781 S * 5/2015 Pierson D24/112
- D755,368 S * 5/2016 Efinger D24/112
- D757,253 S * 5/2016 Efinger D24/112
- D775,330 S * 12/2016 Blennow D24/130
- D776,260 S * 1/2017 Eldredge D24/112
- D809,136 S * 1/2018 Kirwan, Jr. D24/127
- D820,436 S * 6/2018 Kheradpir D24/112
- D836,191 S * 12/2018 Kheradpir D24/112

* cited by examiner

Primary Examiner — David G Muller

(74) *Attorney, Agent, or Firm* — Eversheds Sutherland (US) LLP

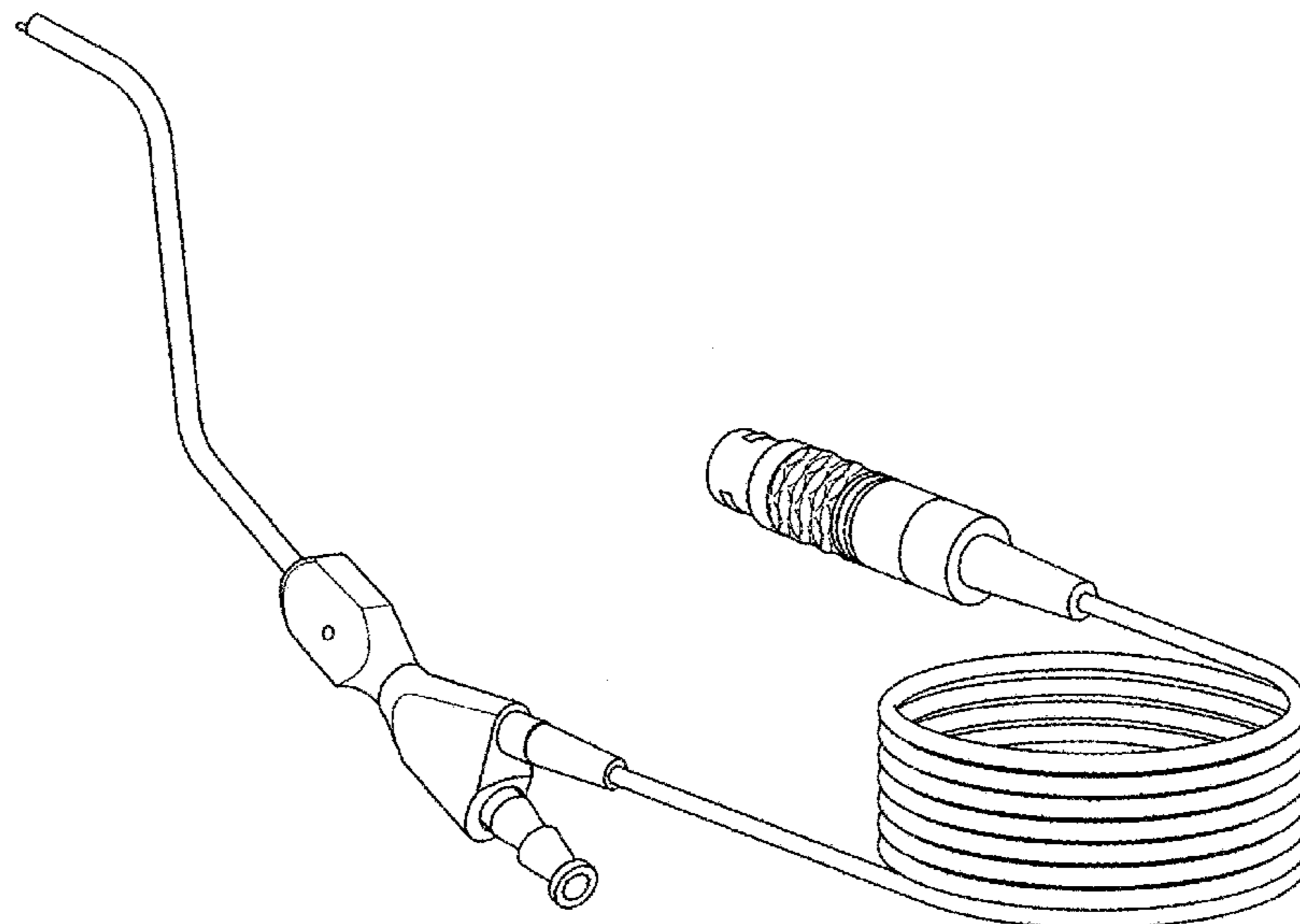
(57) **CLAIM**

The ornamental design for a suction cannula, as shown and described.

DESCRIPTION

FIG. 1 is a perspective view of a suction cannula showing our new design;
 FIG. 2 is a left side view thereof;
 FIG. 3 is a right side view thereof;
 FIG. 4 is a front view thereof;
 FIG. 5 is a rear view thereof;
 FIG. 6 is a top view thereof; and,
 FIG. 7 is a bottom view thereof.

1 Claim, 7 Drawing Sheets



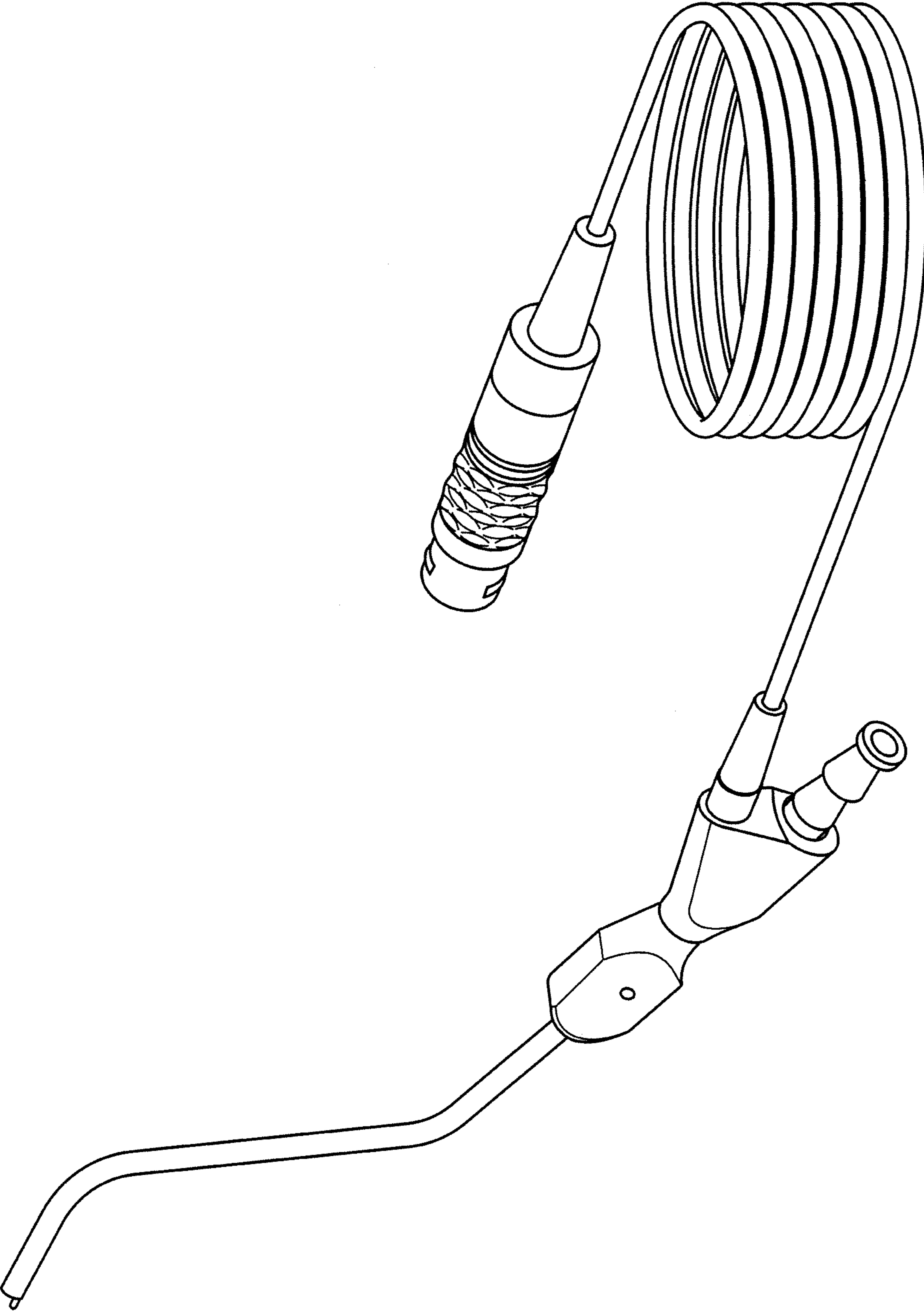


FIG. 1

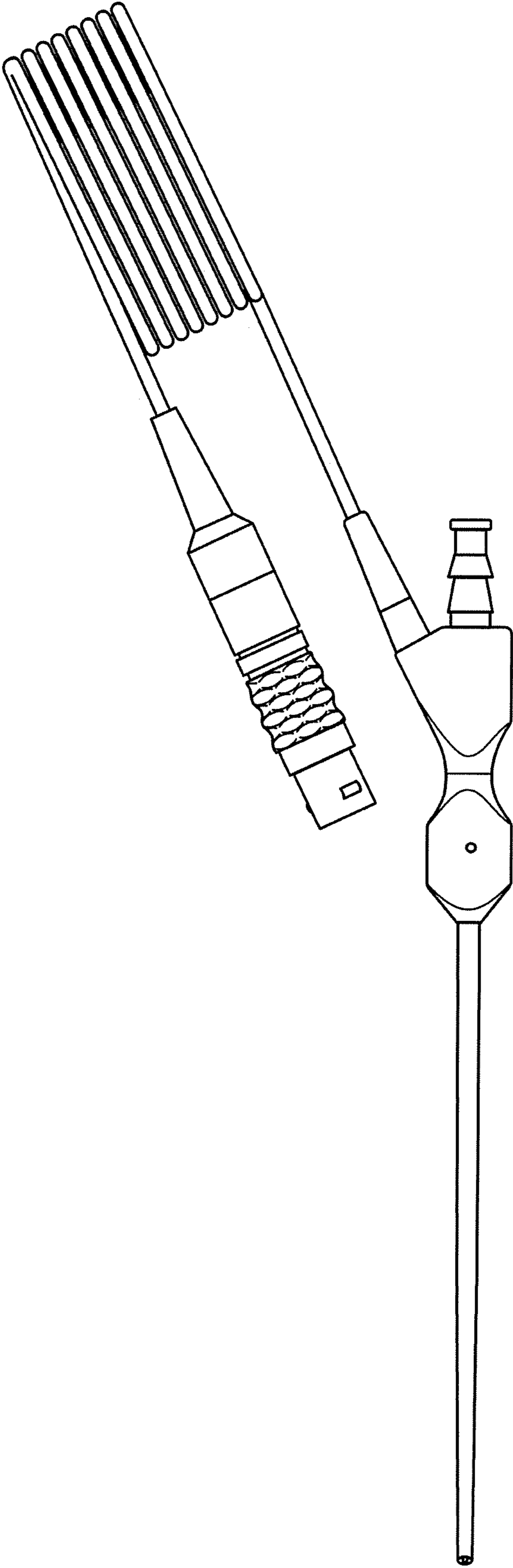


FIG. 2

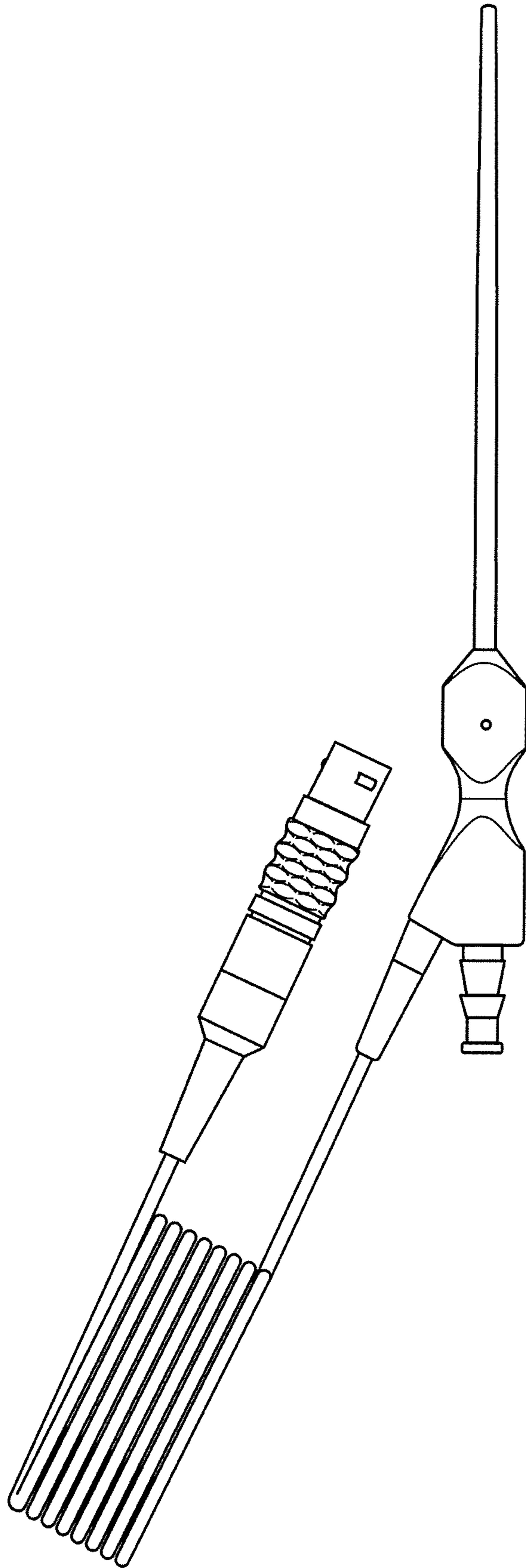


FIG. 3

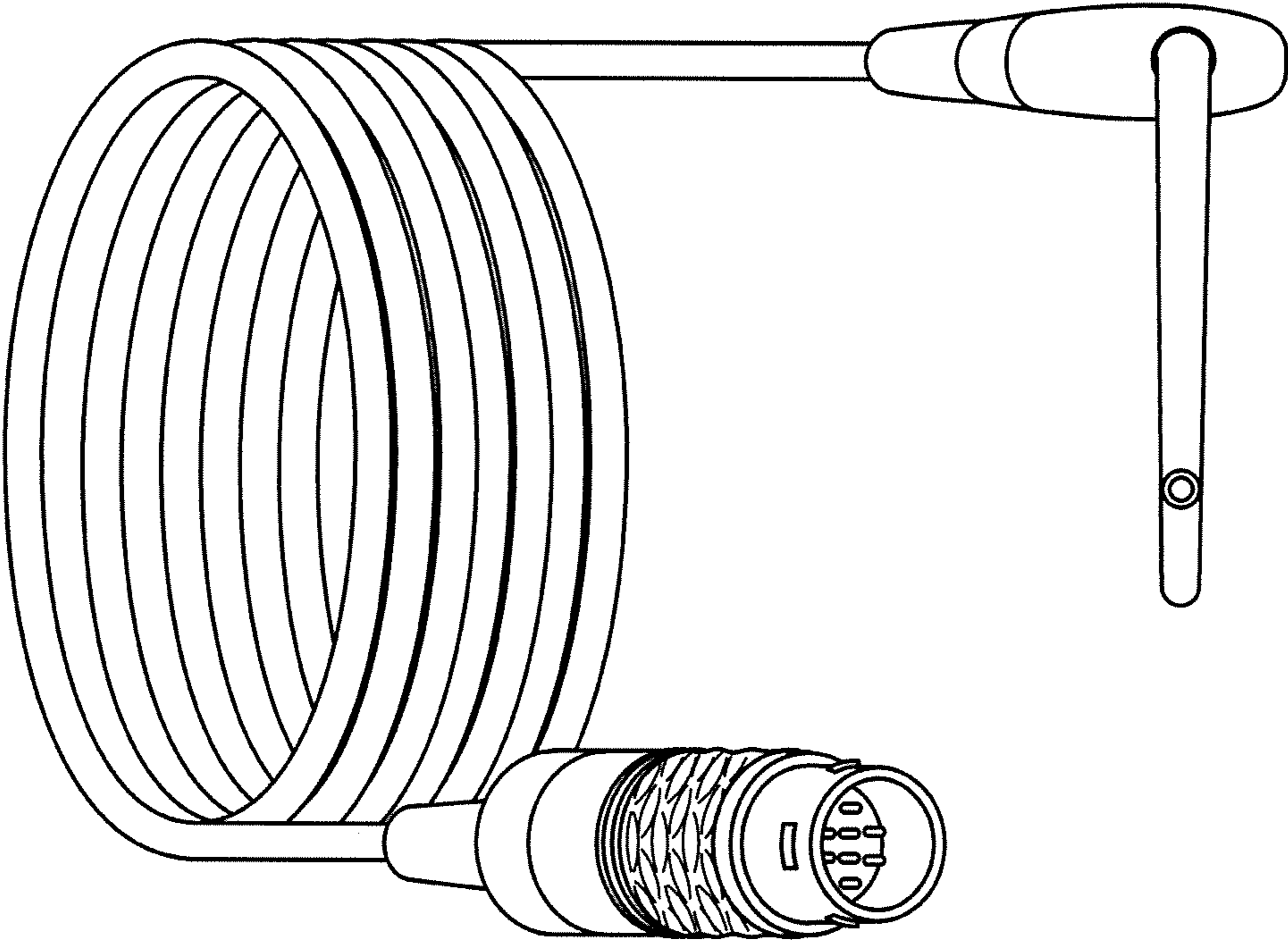


FIG. 4

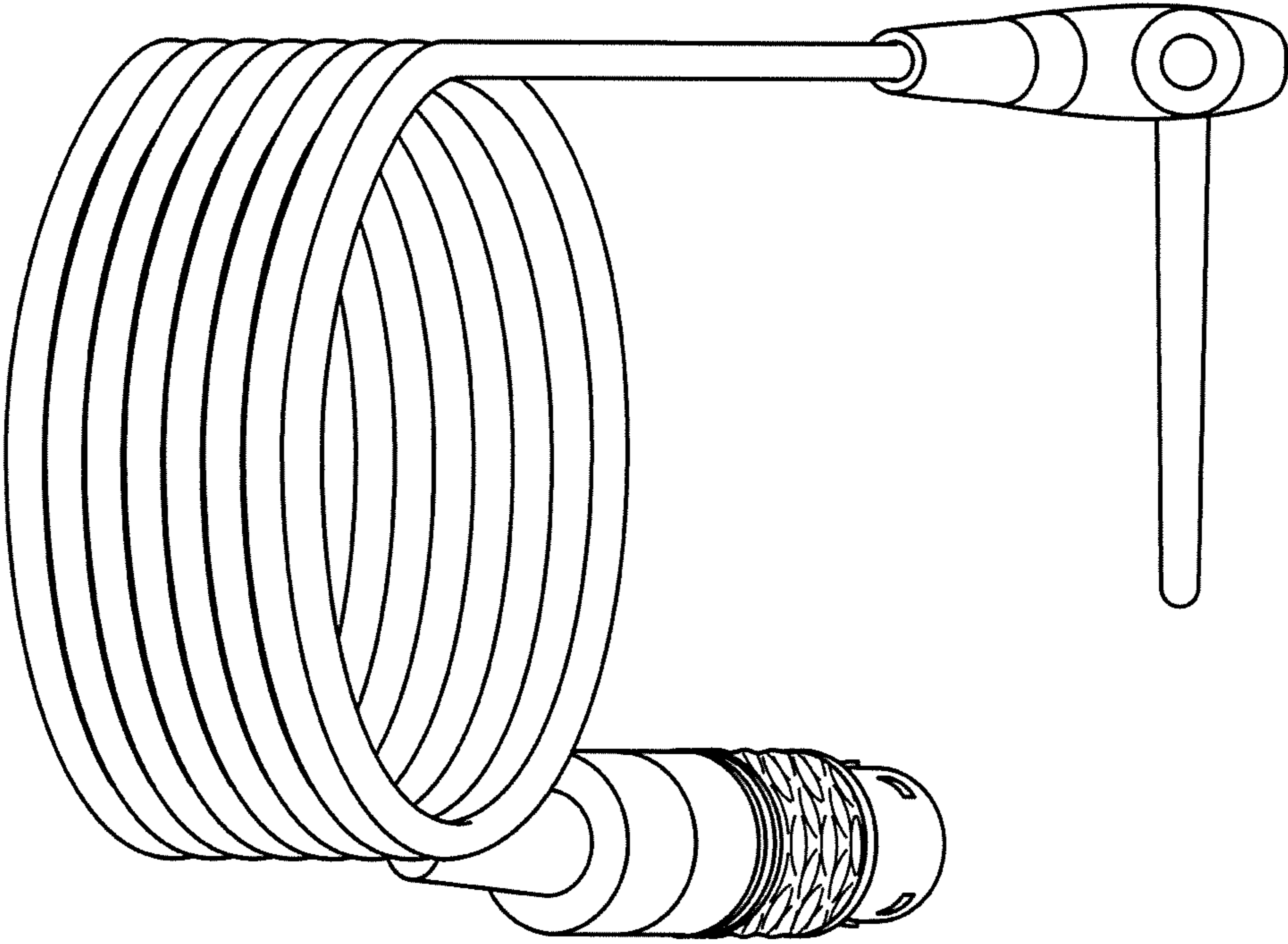


FIG. 5

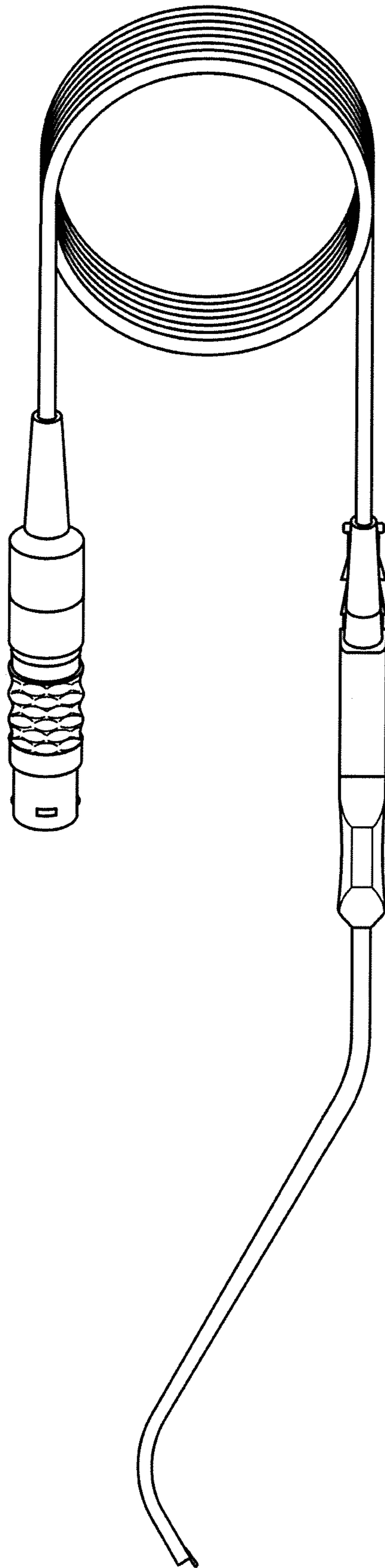


FIG. 6

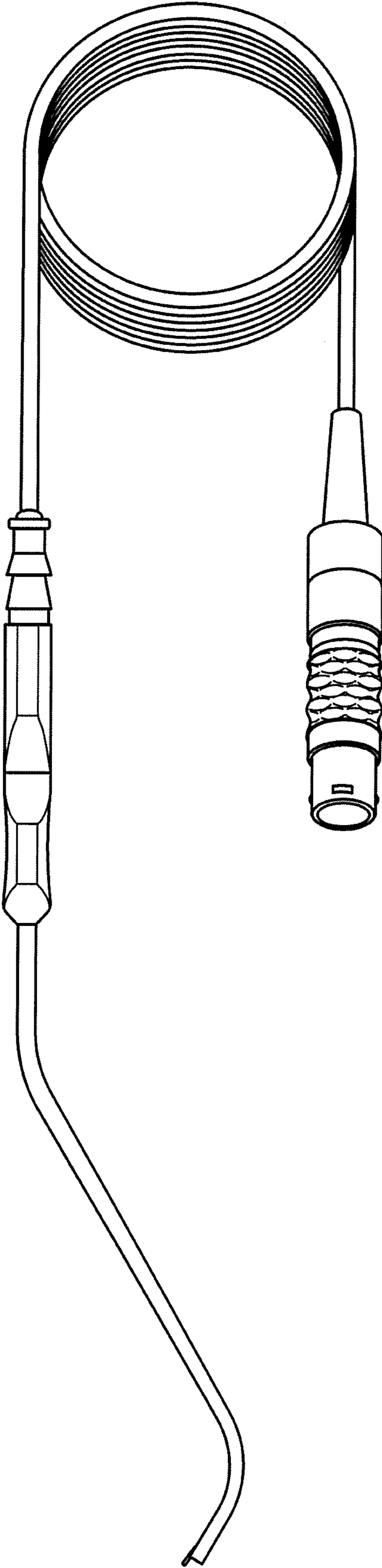


FIG. 7