



US00D917039S

(12) **United States Design Patent** (10) **Patent No.:** **US D917,039 S**
Chen et al. (45) **Date of Patent:** **** Apr. 20, 2021**

(54) **POSITIVE AIRWAY PRESSURE ASSEMBLY**

(71) Applicant: **RESVENT MEDICAL TECHNOLOGY CO., LTD,**
Guangdong (CN)

(72) Inventors: **Yonghui Chen**, Guangdong (CN); **Jiwu Zou**, Guangdong (CN); **Chonghui Fan**, Guangdong (CN)

(73) Assignee: **RESVENT MEDICAL TECHNOLOGY CO., LTD,** Shenzhen (CN)

(**) Term: **15 Years**

(21) Appl. No.: **29/658,446**

(22) Filed: **Jul. 31, 2018**

(30) **Foreign Application Priority Data**

Feb. 1, 2018 (CN) 201830048275.1

(51) **LOC (13) Cl.** **24-01**

(52) **U.S. Cl.**
USPC **D24/108; D24/110**

(58) **Field of Classification Search**
USPC D24/110, 110.1, 110.4, 127, 128, 164, D24/107, 108
CPC A61M 16/00; A61M 16/0057; A61M 16/1045; A61M 16/0063; A61M 16/0066; A61M 16/16; A61M 16/06; A61M 16/0683; A61M 16/0616; A61M 16/0622; A61M 16/0605; A61M 16/0633; A61B 5/097; A61B 5/082; A61B 2010/0087
See application file for complete search history.

(56) **References Cited**

U.S. PATENT DOCUMENTS

5,564,415 A * 10/1996 Dobson A61M 16/16
128/200.24
D453,567 S * 2/2002 Voegele D24/110

D467,335 S * 12/2002 Lithgow D24/110
D468,011 S * 12/2002 Lithgow D24/110
D476,077 S * 6/2003 Lithgow D24/110
D477,868 S * 7/2003 Lithgow D24/110
D487,311 S * 3/2004 Lithgow D24/110
D493,520 S * 7/2004 Bertinetti D24/110

(Continued)

FOREIGN PATENT DOCUMENTS

CN 304743538 * 7/2018
CN 304763889 * 8/2018

OTHER PUBLICATIONS

iBreeze+. Resvent. Date viewed: Feb. 11, 2020. Retrieved from Internet: <http://www.resvent.com/en/product/251.html> (Year: 2020).*

(Continued)

Primary Examiner — Lilyana Bekic

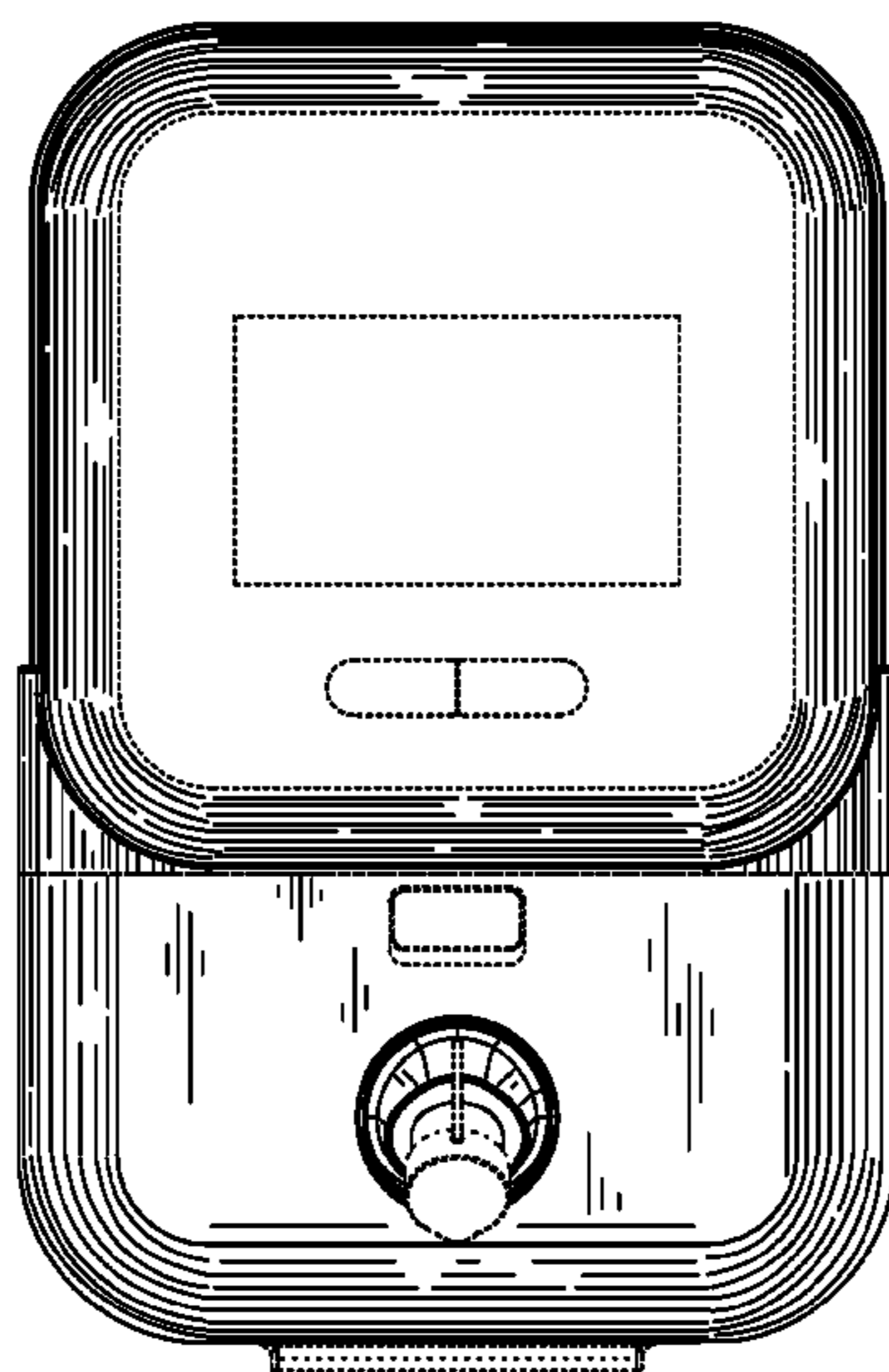
(57) **CLAIM**

The ornamental design for a positive airway pressure assembly, as shown and described.

DESCRIPTION

FIG. 1 is a top view of a positive airway pressure assembly showing our new design;
FIG. 2 is a bottom view thereof;
FIG. 3 is a back view thereof;
FIG. 4 is a front view thereof;
FIG. 5 is a right side view thereof;
FIG. 6 is a left side view thereof;
FIG. 7 is a top, back, left side perspective view thereof;
FIG. 8 is a top, front, right side perspective view thereof; and,
FIG. 9 is a top, front, right side perspective view thereof in an unassembled state.
The broken lines illustrate portions of the positive airway pressure assembly and form no part of the claimed design.

1 Claim, 9 Drawing Sheets



(56)

References Cited

U.S. PATENT DOCUMENTS

D493,884 S * 8/2004 Virr D24/110
 D497,203 S * 10/2004 Lithgow D24/110
 D544,598 S * 6/2007 Lithgow D24/110
 D549,321 S * 8/2007 Snow D24/110
 D550,349 S * 9/2007 Lithgow D24/110
 D560,795 S * 1/2008 Lithgow D24/110
 7,413,173 B2 * 8/2008 DiMatteo A61M 16/16
 128/203.27
 D585,540 S * 1/2009 Lithgow D24/110
 8,091,547 B2 * 1/2012 Thudor A61M 16/161
 128/203.17
 D658,283 S * 4/2012 Burz D24/110
 D671,206 S * 11/2012 McGarrity D24/110
 D708,316 S * 7/2014 Bertinetti D24/110
 9,358,359 B2 * 6/2016 Lithgow A61M 16/0051
 9,610,420 B2 * 4/2017 Lithgow A61M 16/109

2007/0193582 A1* 8/2007 Kwok A61M 16/0069
 128/204.18
 2009/0229606 A1* 9/2009 Tang A61M 16/0051
 128/203.14
 2015/0306336 A1* 10/2015 Lithgow A61M 16/162
 128/204.14
 2017/0182270 A1* 6/2017 Kenyon A61M 16/0875
 2019/0117919 A1* 4/2019 Panarello H02J 9/005
 2019/0366025 A1* 12/2019 Diehl A61B 5/087
 2020/0061318 A1* 2/2020 Cheng A61M 16/105
 2020/0330708 A1* 10/2020 Schindhelm A61M 16/0051

OTHER PUBLICATIONS

Gold+ Series. ResPro. Date published: Feb. 2019. Retrieved from Internet: https://www.resproindia.com/downloads/Respro_Gold+Series.pdf (Year: 2019).*

* cited by examiner

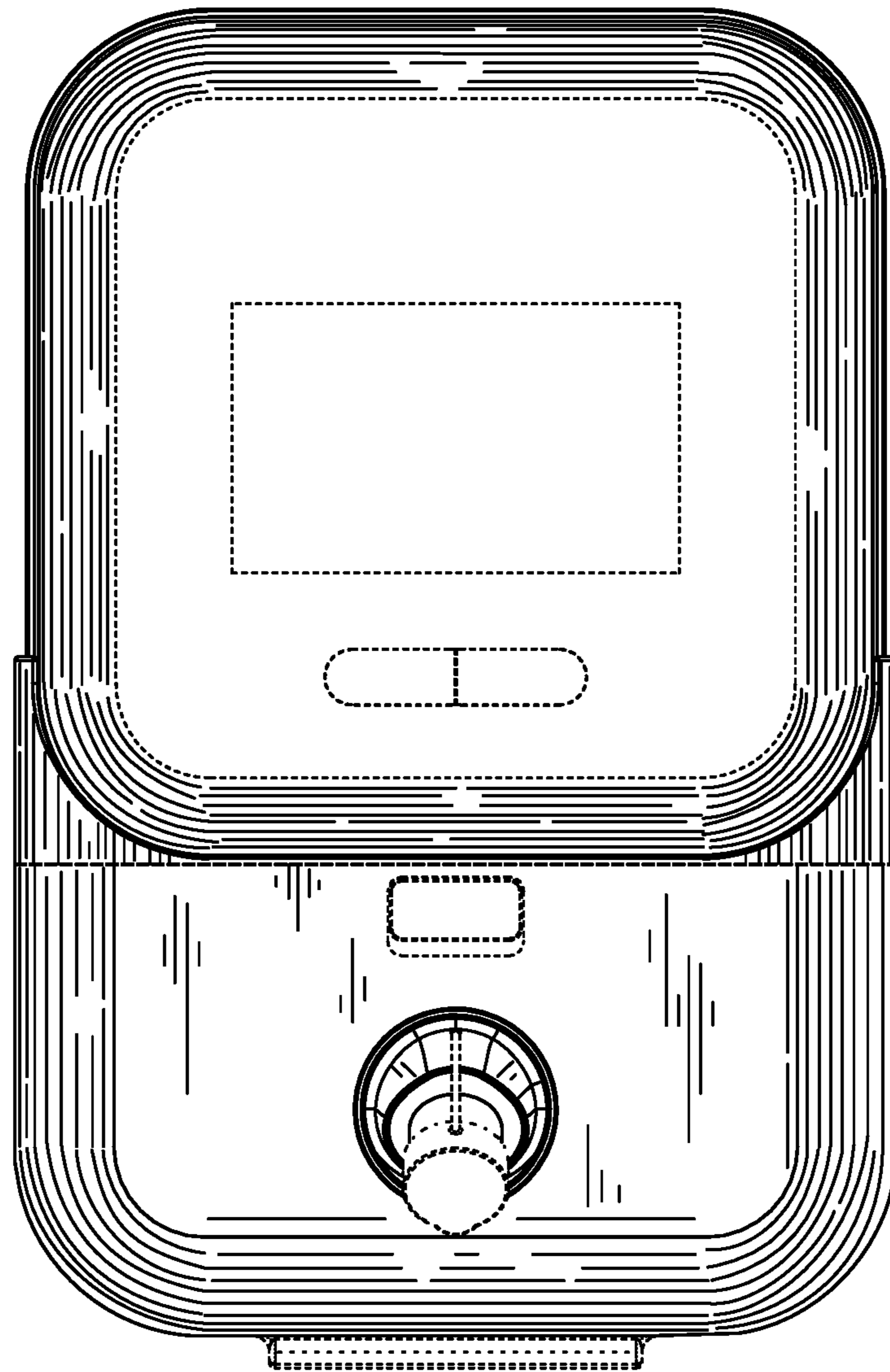


Fig.1

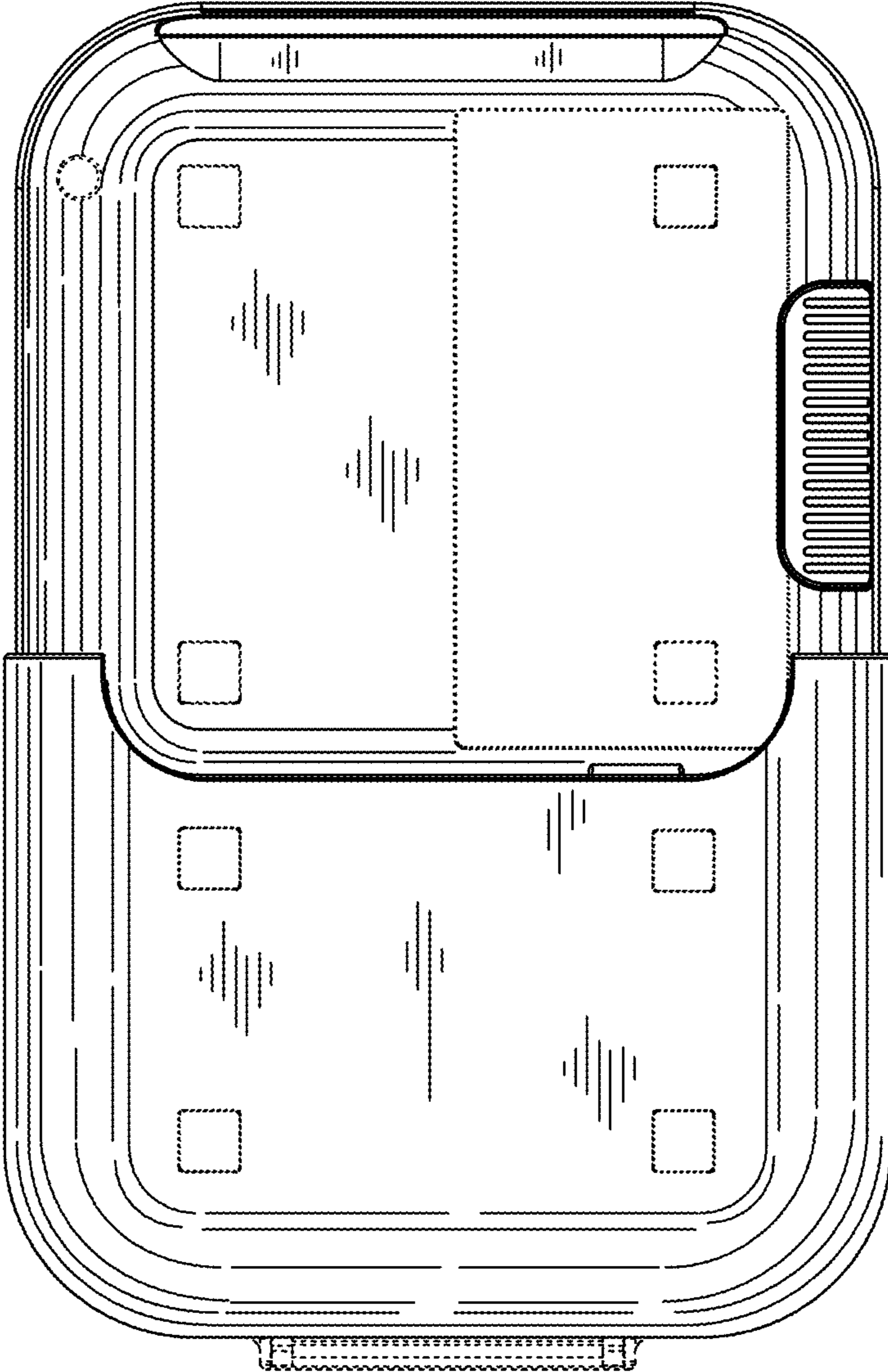


Fig.2

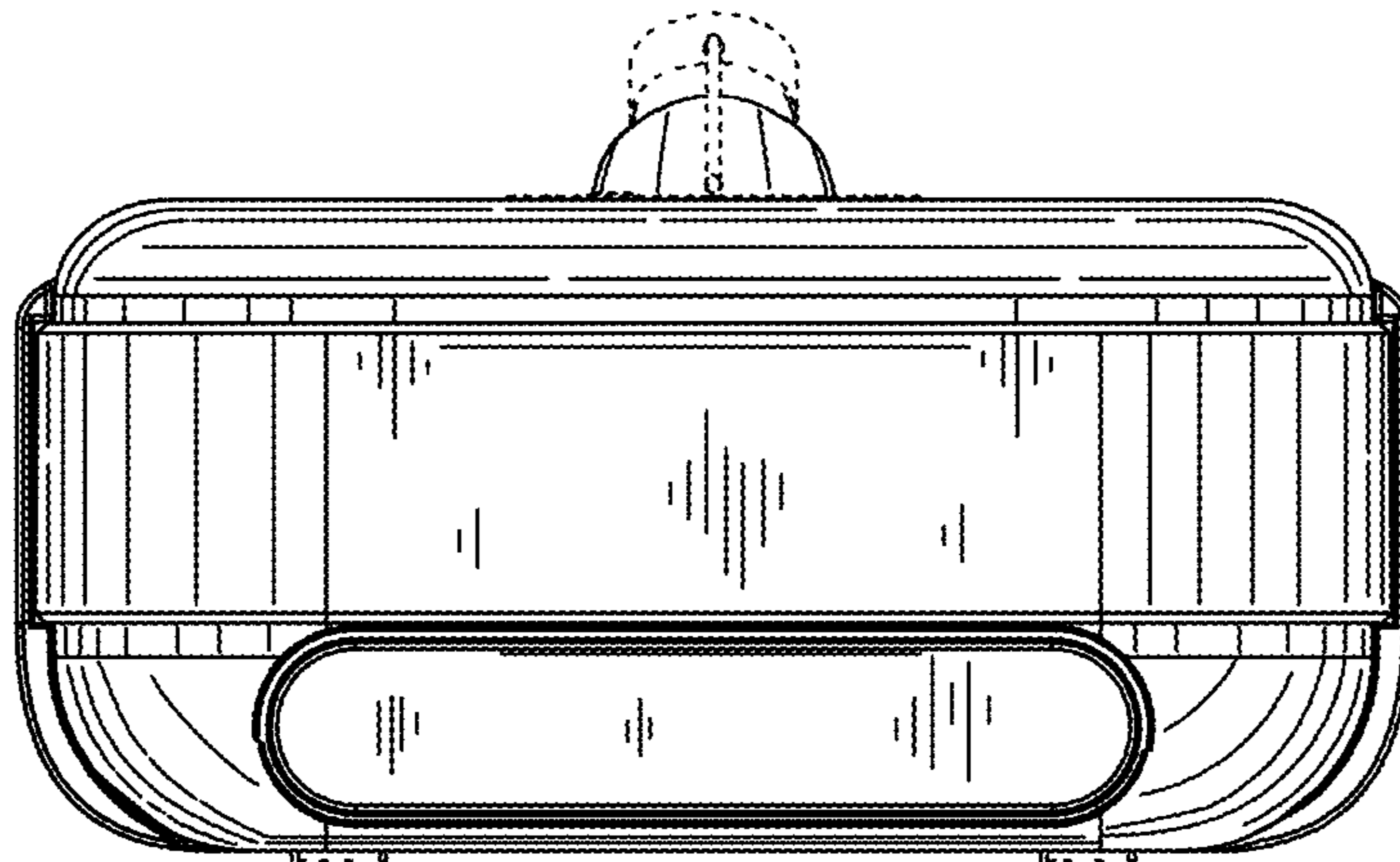


Fig. 3

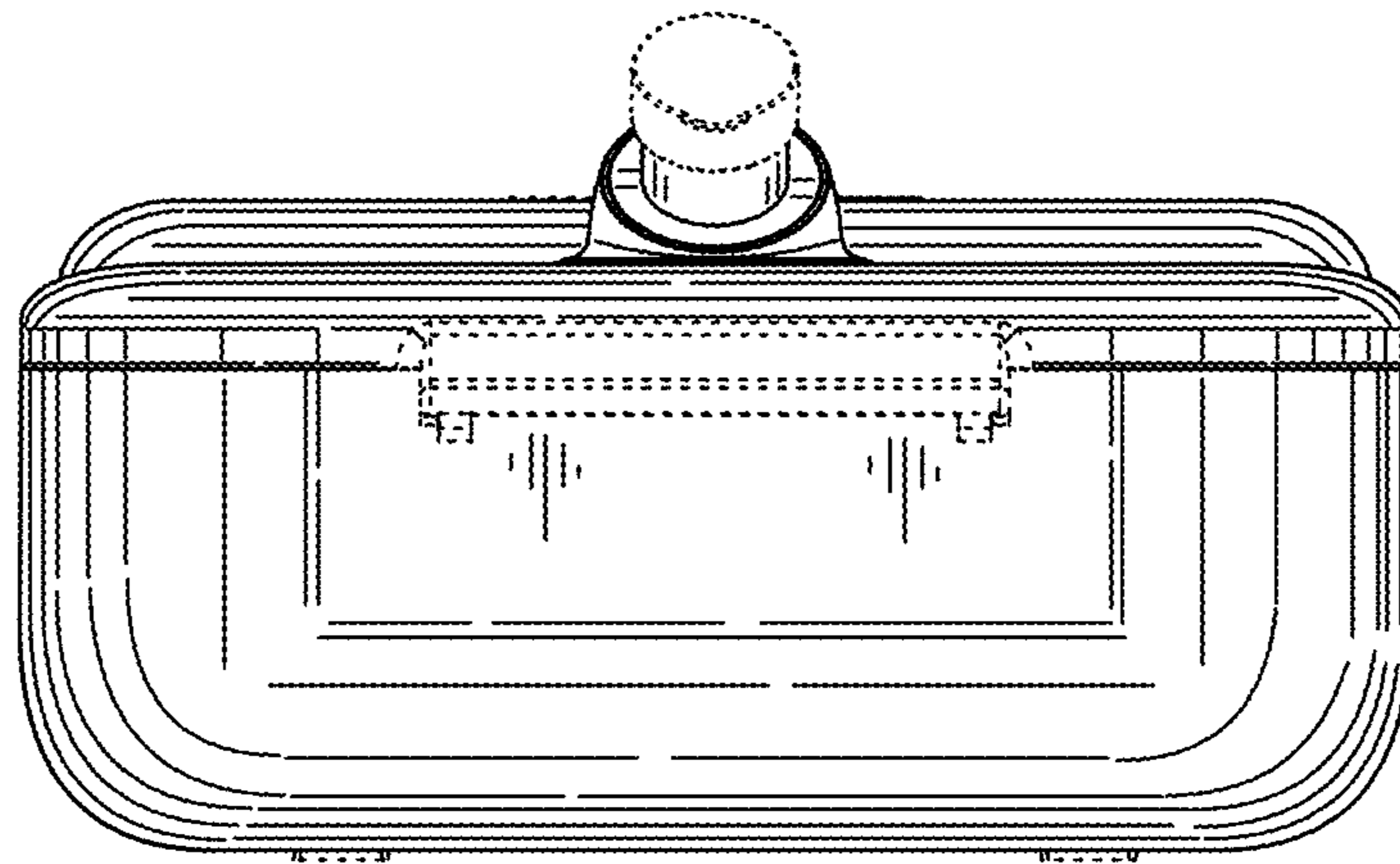


Fig.4

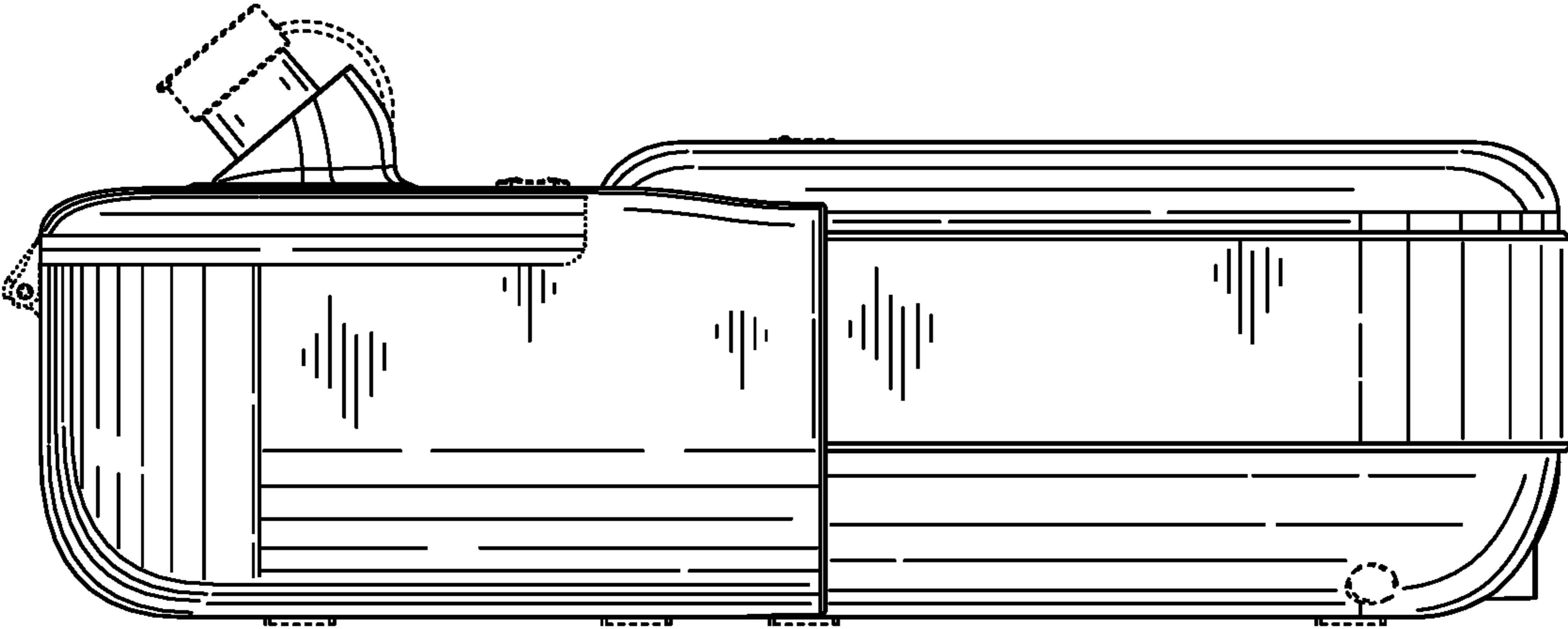


Fig.5

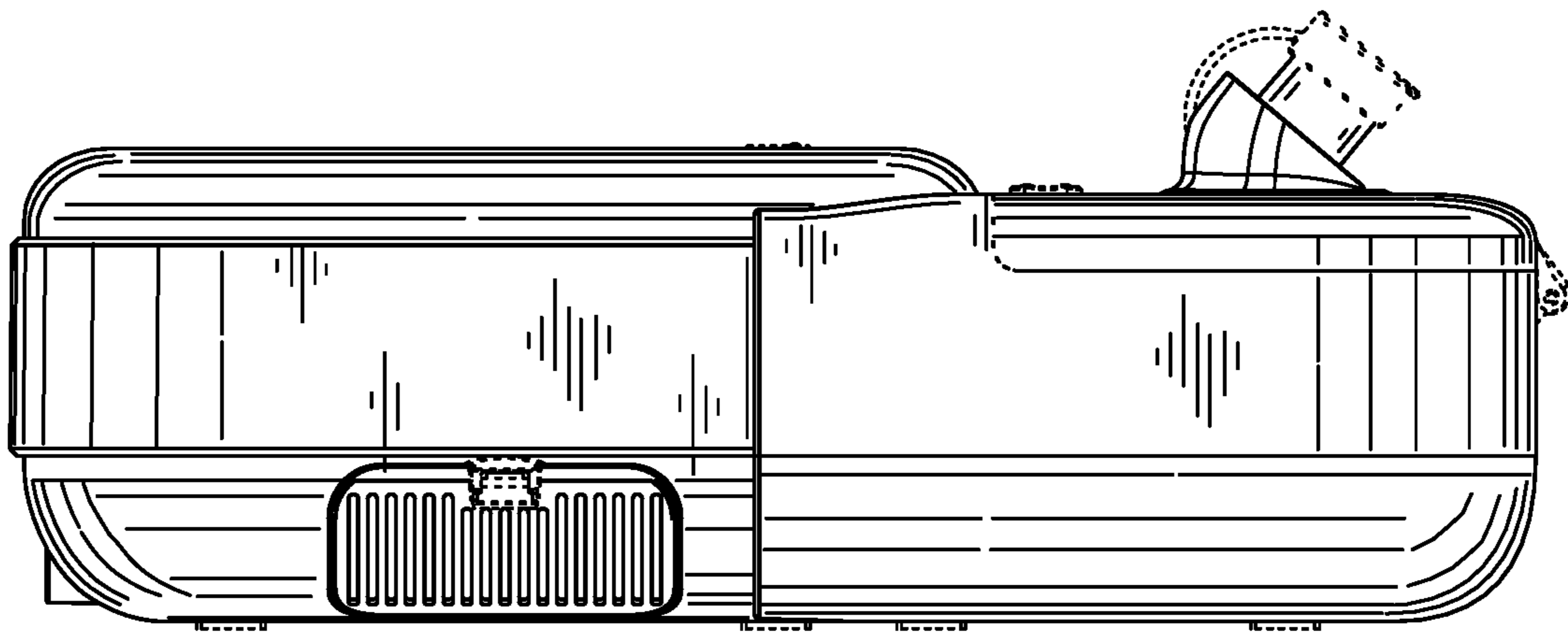


Fig.6

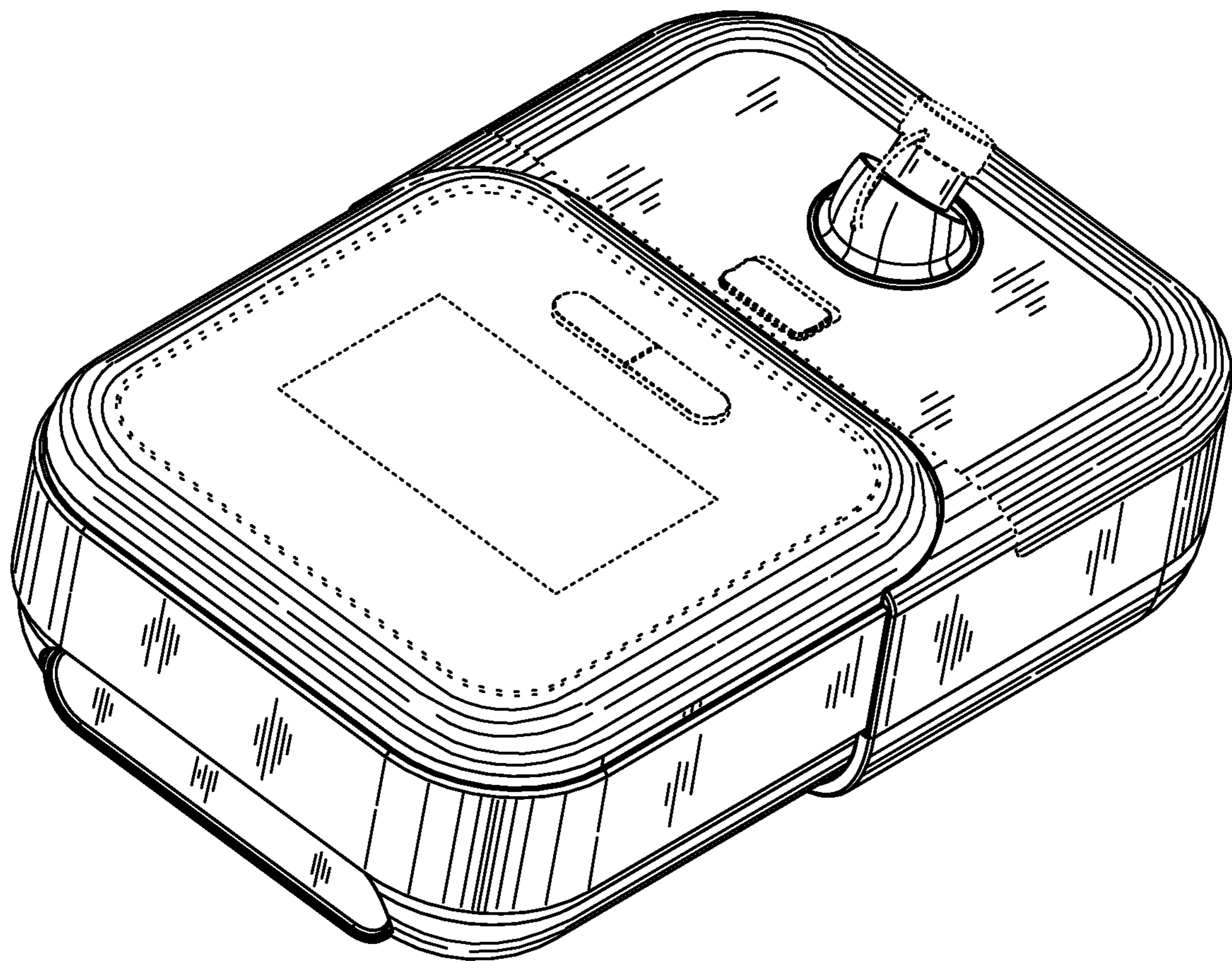


Fig.7

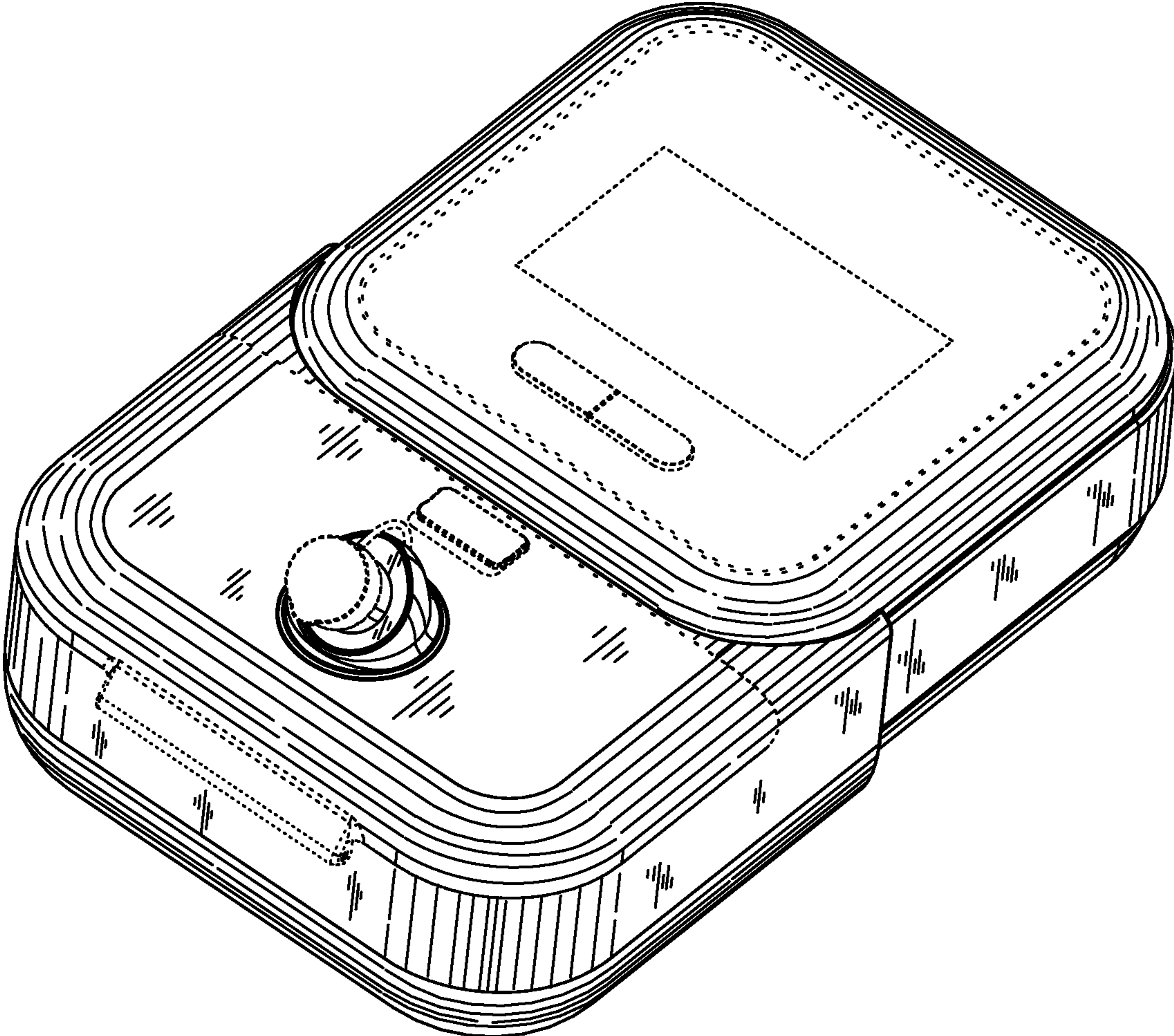


Fig.8

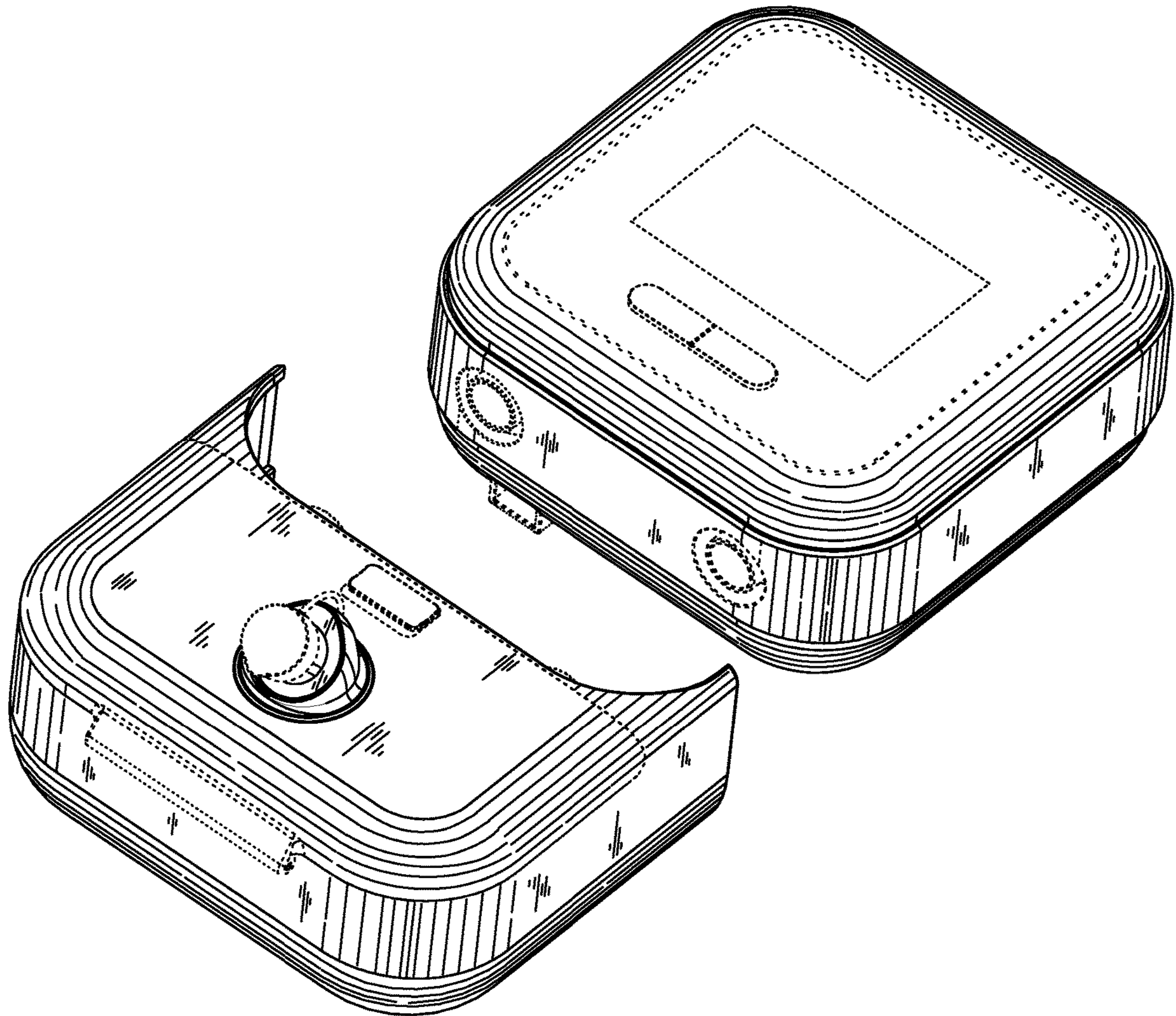


Fig. 9