



US00D917036S

(12) **United States Design Patent**  
**Hederstierna et al.**

(10) **Patent No.:** **US D917,036 S**  
(45) **Date of Patent:** **\*\* Apr. 20, 2021**

(54) **AIR DISTRIBUTION BOX**

4,641,502 A 2/1987 Aldrich et al.  
4,672,818 A 6/1987 Roth  
D306,341 S 2/1990 Bales et al.

(71) Applicant: **Dometic Sweden AB**, Solna (SE)

(Continued)

(72) Inventors: **Rickard Hederstierna**, Hägersten (SE);  
**Samuele Meda**, Solna (SE); **Jarrod Williamson**, Victoria (AU); **Jason Svarc**, Victoria (AU); **Louis Liu**, Zhuhai (CN)

FOREIGN PATENT DOCUMENTS

AU 2005206673 B2 8/2007  
AU 319629 S 5/2008

(Continued)

(73) Assignee: **DOMETIC SWEDEN AB**, Solna (SE)

OTHER PUBLICATIONS

(\*\*) Term: **15 Years**

[https://www.dometic.com/en-sg/sg/products/climate/air-conditioners/motorhome-and-caravan-air-conditioners/dometic-ibis4-adb\\_-188839Dometic IBIS4 ADB Air Distribution Box](https://www.dometic.com/en-sg/sg/products/climate/air-conditioners/motorhome-and-caravan-air-conditioners/dometic-ibis4-adb_-188839Dometic%20IBIS4%20ADB%20Air%20Distribution%20Box) [Dec. 2, 2020] found online [Dec. 2, 2020]-.\*

(Continued)

(21) Appl. No.: **29/660,094**

(22) Filed: **Aug. 17, 2018**

(30) **Foreign Application Priority Data**

*Primary Examiner* — John A Voytek

Feb. 20, 2018 (AU) ..... 201810972  
Feb. 20, 2018 (AU) ..... 201810975  
Feb. 20, 2018 (AU) ..... 201810977

(74) *Attorney, Agent, or Firm* — Middleton Reutlinger

(51) **LOC (13) Cl.** ..... **23-04**

(57)

**CLAIM**

(52) **U.S. Cl.**

USPC ..... **D23/371**

The ornamental design for an air distribution box, as shown and described.

(58) **Field of Classification Search**

**DESCRIPTION**

USPC ..... D23/325, 370, 371, 385, 387, 388, 393;  
D26/118, 163  
CPC ..... B60H 1/00364; B60H 1/00535; B60H 1/00542; B60H 1/24; B60H 1/26; B60H 1/00  
See application file for complete search history.

FIG. 1 is a perspective view of a first embodiment of an air distribution box design;  
FIG. 2 is a first side view of the air distribution box design of FIG. 1;  
FIG. 3 is a second side view of the air distribution box design of FIG. 1;  
FIG. 4 is a third side view of the air distribution box design of FIG. 1;  
FIG. 5 is a fourth side view of the air distribution box design of FIG. 1; and  
FIG. 6 is a bottom view of the air distribution box design of FIG. 1.

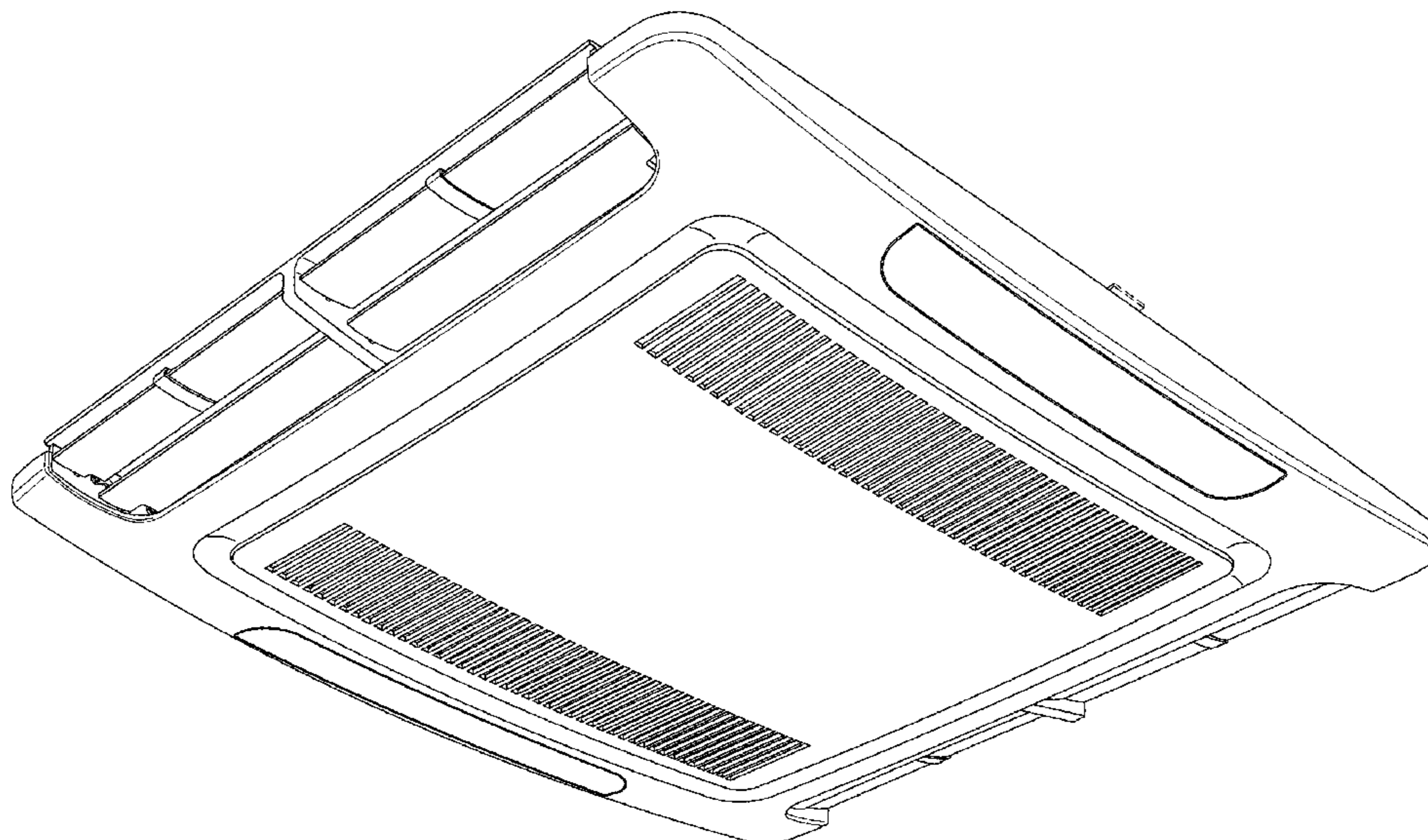
The broken line disclosure represents unclaimed portions of the air distribution box in which the design is embodied.

(56) **References Cited**

U.S. PATENT DOCUMENTS

D226,381 S 2/1973 Harty, Jr.  
3,727,537 A 4/1973 Harty, Jr.  
4,048,910 A 9/1977 Weir  
D284,025 S 5/1986 Armstrong

**1 Claim, 6 Drawing Sheets**



(56)

References Cited

U.S. PATENT DOCUMENTS

5,501,634 A \* 3/1996 Wilder ..... B60H 1/00378  
454/109

5,531,641 A 7/1996 Aldrich

6,213,197 B1 4/2001 Ebbeson

D510,996 S \* 10/2005 Vladika ..... D23/385

7,140,192 B2 11/2006 Allen et al.

D535,431 S \* 1/2007 Roland ..... D26/118

7,171,822 B2 2/2007 Allen et al.

7,234,315 B2 6/2007 Allen et al.

7,237,397 B2 7/2007 Allen

D567,352 S \* 4/2008 Hollingsworth ..... D23/388

D570,465 S \* 6/2008 Miyake ..... D23/371

7,419,368 B2 9/2008 Milks

D653,323 S \* 1/2012 Jacak ..... D23/371

D654,998 S \* 2/2012 Zakula ..... D23/371

D655,403 S \* 3/2012 Zakula ..... D23/388

D661,386 S 6/2012 Bergin

D681,794 S \* 5/2013 Lin ..... D23/371

8,535,127 B2 9/2013 Malott

8,568,209 B2 10/2013 Boxum

D702,827 S \* 4/2014 Mase ..... D23/370

D712,531 S 9/2014 Bergin

D715,907 S 10/2014 Bergin

D716,925 S 11/2014 Bergin

D746,725 S \* 1/2016 Stopka ..... D12/163

D771,231 S \* 11/2016 Chen ..... D23/388

D784,511 S \* 4/2017 Jonas ..... D23/388

9,631,832 B2 4/2017 Malott

D785,771 S 5/2017 Bergin

D785,772 S 5/2017 Bergin

D800,294 S \* 10/2017 Jonas ..... D23/385

D800,295 S \* 10/2017 Jonas ..... D23/385

D811,566 S 2/2018 Liu et al.

D815,724 S \* 4/2018 Jonas ..... D23/385

D817,466 S 5/2018 Moseley

9,975,405 B2 5/2018 Siddiqui et al.

D824,499 S 7/2018 Williamson et al.

10,093,152 B2 10/2018 Allard et al.

D834,163 S \* 11/2018 Liu ..... D23/351

D841,138 S 2/2019 Williamson et al.

10,252,598 B2 \* 4/2019 Hipp-Kalthoff ... B60H 1/00535

D850,609 S 6/2019 Bergin

D862,668 S 10/2019 Moseley

D865,926 S 11/2019 Moseley

10,589,593 B2 3/2020 Westendarp et al.

D884,869 S \* 5/2020 Jonas ..... D23/385

2006/0052050 A1 3/2006 Malott et al.

2007/0227693 A1 10/2007 Allen et al.

2010/0218531 A1 \* 9/2010 Khan ..... B60H 1/00014  
62/259.1

2016/0121695 A1 5/2016 Sakurai

2016/0311288 A1 10/2016 Mayo Mayo et al.

2017/0203632 A1 7/2017 Westendarp et al.

2019/0047353 A1 2/2019 Williamson et al.

2019/0047354 A1 2/2019 Williamson et al.

FOREIGN PATENT DOCUMENTS

AU 319630 S 5/2008

AU 2004202967 B2 12/2010

AU 343538 7/2012

AU 2007237183 B2 9/2012

AU 349663 7/2013

AU 2007202766 B2 8/2013

AU 2012202939 B2 9/2013

AU 2008288394 B2 5/2014

AU 361242 4/2015

AU 2012261549 B2 5/2015

AU 2012265763 B2 7/2015

AU 201612249 5/2016

AU 2014203592 B2 5/2016

AU 201612412 6/2016

AU 2012224891 B2 6/2016

AU 201613590 7/2016

AU 201613591 7/2016

AU 201613592 7/2016

AU 201613593 7/2016

AU 2016101949 B4 3/2017

AU 2017100215 A4 3/2017

AU 201712363 5/2017

AU 2016200299 A1 7/2017

AU 2017200100 A1 7/2017

AU 2017200763 A1 9/2017

AU 2017203711 A1 1/2018

AU 201810968 3/2018

AU 201810969 3/2018

AU 201810970 3/2018

AU 201810971 3/2018

AU 201810972 3/2018

AU 201810973 3/2018

AU 201810975 3/2018

AU 201810977 3/2018

AU 201810978 3/2018

AU 2014203837 B2 4/2018

AU 201816419 1/2019

AU 2015226832 B2 5/2019

AU 201916408 12/2019

AU 201916409 12/2019

CA 2518348 3/2006

CA 2587994 12/2007

CA 2611822 5/2008

CA 2906348 9/2014

CA 2951956 12/2015

CA 165232 S 5/2016

CA 165233 S 5/2016

CA 167431 S 2/2017

CA 172872 S 2/2017

CA 172873 S 2/2017

CA 172874 S 2/2017

CN 101004173 A 7/2007

CN 204458347 U 7/2015

CN 204704111 U 10/2015

CN 204895032 U 12/2015

CN 205533234 U 8/2016

CN 205559279 U 9/2016

CN 205559287 U 9/2016

CN 106089711 A 11/2016

CN 205853818 U 1/2017

CN 106470856 3/2017

CN 106976376 A 7/2017

CN 206446406 U 8/2017

CN 109070688 A 12/2018

CN 305029216 S 2/2019

CN 305029217 S 2/2019

CN 305029218 S 2/2019

CN 305105066 S 4/2019

CN 110385958 A 10/2019

CN 305397384 S 10/2019

DE 9116338 U1 10/1992

DE 10336767 12/2004

DE 202004017266 U1 4/2006

DE 102007019078 A1 9/2008

DE 10 2007 038 716 A1 2/2009

DE 602005012194 2/2009

DE 102010035406 B8 12/2012

DE 102016220768 4/2018

DE 112017000915 10/2018

DE 102018203428 B3 5/2019

EM 005609252-0001 10/2018

EM 005609252-0002 10/2018

EM 005609252-0003 10/2018

EP 700801 3/1996

EP 1634740 3/2006

EP 1870270 12/2007

EP 1925889 5/2008

EP 1988612 11/2008

EP 2196390 6/2010

EP 2 423 019 B1 8/2015

EP 3113965 1/2017

EP 3241695 4/2018

EP 3411250 A1 12/2018

JP 2005-146987 A 6/2005

JP 2005-147071 A 6/2005

(56)

**References Cited**

FOREIGN PATENT DOCUMENTS

KR	10-1718014	B1	3/2017
WO	2014143181	A1	9/2014
WO	2017143393	A1	8/2017
WO	2017143394	A1	8/2017
WO	2019038023	A1	2/2019
WO	2019082168		5/2019
WO	2019097448	A1	5/2019
WO	2019229706	A1	12/2019

OTHER PUBLICATIONS

Notification to Grant Patent for Chinese Design Application No. 201830456867.7, dated Dec. 3, 2018.  
 Notification to Grant Patent for Chinese Design Application No. 201830456885.5, dated Nov. 30, 2018.  
 International Search Report and Written Opinion for PCT Patent Application No. PCT/IB2019/054509 dated Aug. 26, 2019.  
 Notification to Grant Patent for Chinese Design Application No. 201830456864.3, dated Dec. 3, 2018.  
 AU Provisional Patent Application No. 2018901268, of Williamson, J., et al., filed Apr. 16, 2018.  
 AU Patent Application No. 2019202512, of Williamson, J., et al., filed Apr. 10, 2019.  
 U.S. Appl. No. 16/384,376, of Williamson, J., et al., filed Apr. 15, 2019.  
 DE Patent Application No. 10 2019 205 194.4, of Williamson, J., et al., filed Apr. 11, 2019.  
 AU Provisional Patent Application No. 2018901939, of Williamson, J., et al., filed May 31, 2018.

PCT Patent Application No. PCT/IB2019/054509, of Williamson, J., et al., filed May 31, 2019.  
 Design U.S. Appl. No. 29/682,265 entitled "Air Conditioning Apparatus" filed Mar. 4, 2019.  
 Utility U.S. Appl. No. 16/722,938 entitled "Roof Top Air Conditioner Unit, Methods for Producing, Assembling and Installing the Roof Top Air Conditioner Unit and Vehicle with the Roof Top Air Conditioner Unit" filed Dec. 20, 2019.  
 Design U.S. Appl. No. 29/645,887 entitled "Mobile Air Conditioner" filed Apr. 30, 2018.  
 Design U.S. Appl. No. 62/819,711 entitled "Mobile Air Conditioner" filed Mar. 18, 2019.  
 Utility U.S. Appl. No. 16/744,584 entitled "Parking Cooler" filed Jan. 16, 2020.  
 Dometic Product Catalog, Climate Control, 2015.  
 Dometic Product Catalog, Climate Control, 2016.  
 Australian Patent Application No. 2017200186 entitled "Parking Cooler" filed Jan. 11, 2017.  
 Design U.S. Appl. No. 29/604,433 entitled "Air Conditioning Apparatus" filed May 17, 2017.  
 Design U.S. Appl. No. 29/620,394 entitled "Air Shroud Assembly" filed Oct. 4, 2017.  
 Design U.S. Appl. No. 29/677,547 entitled "Modular Air Gill" filed Jan. 22, 2019.  
 Design U.S. Appl. No. 29/594,476 entitled "Shroud Assembly" filed Feb. 17, 2017.  
 Australian Patent Application No. 201612249 entitled "Air-Conditioning Unit" filed Apr. 28, 2016.  
 Office Action for Germany Patent Application No. 102017214941.8 dated Nov. 29, 2019.

\* cited by examiner

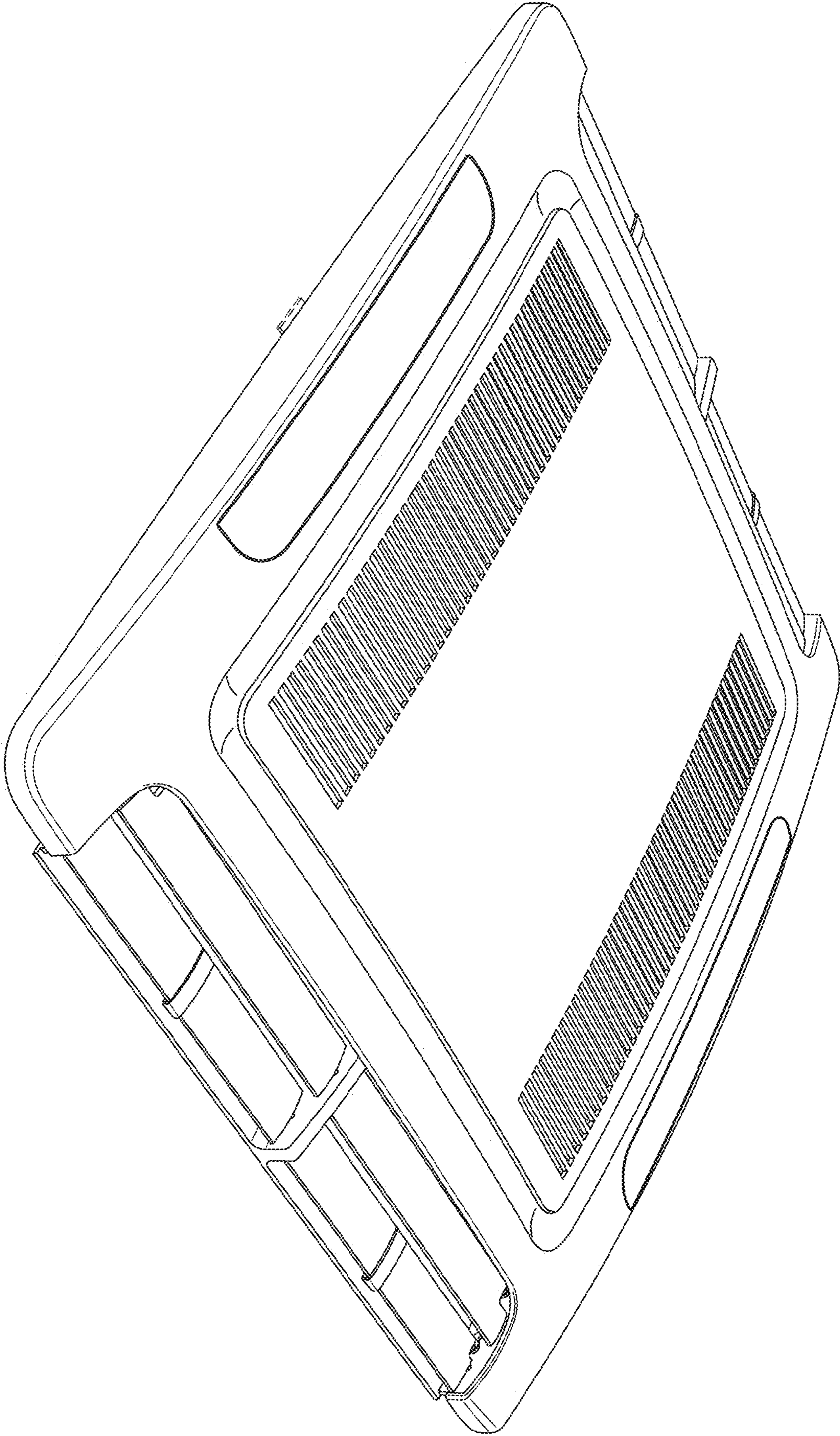


FIG. 1

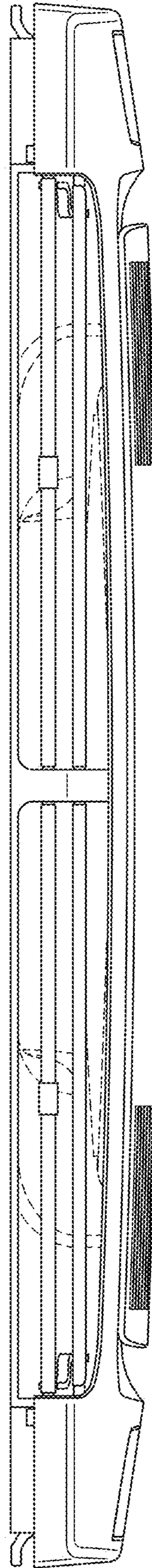


FIG. 2

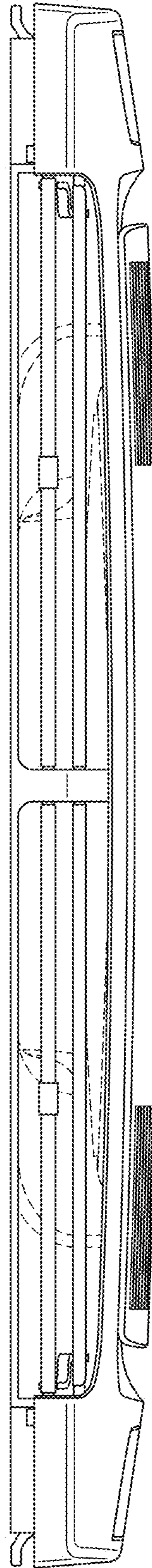


FIG. 3

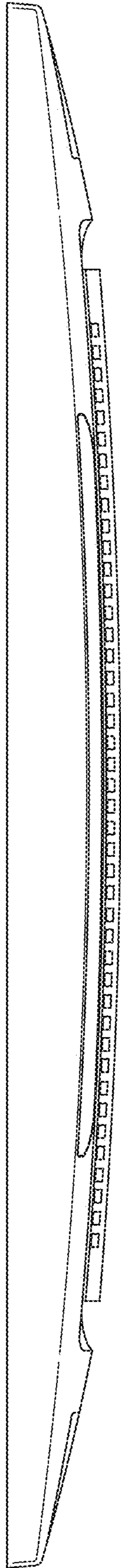


FIG. 4

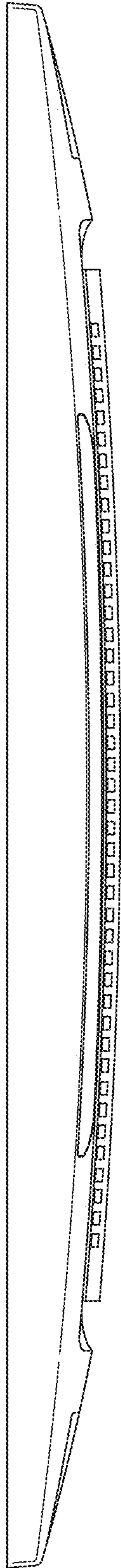


FIG. 5



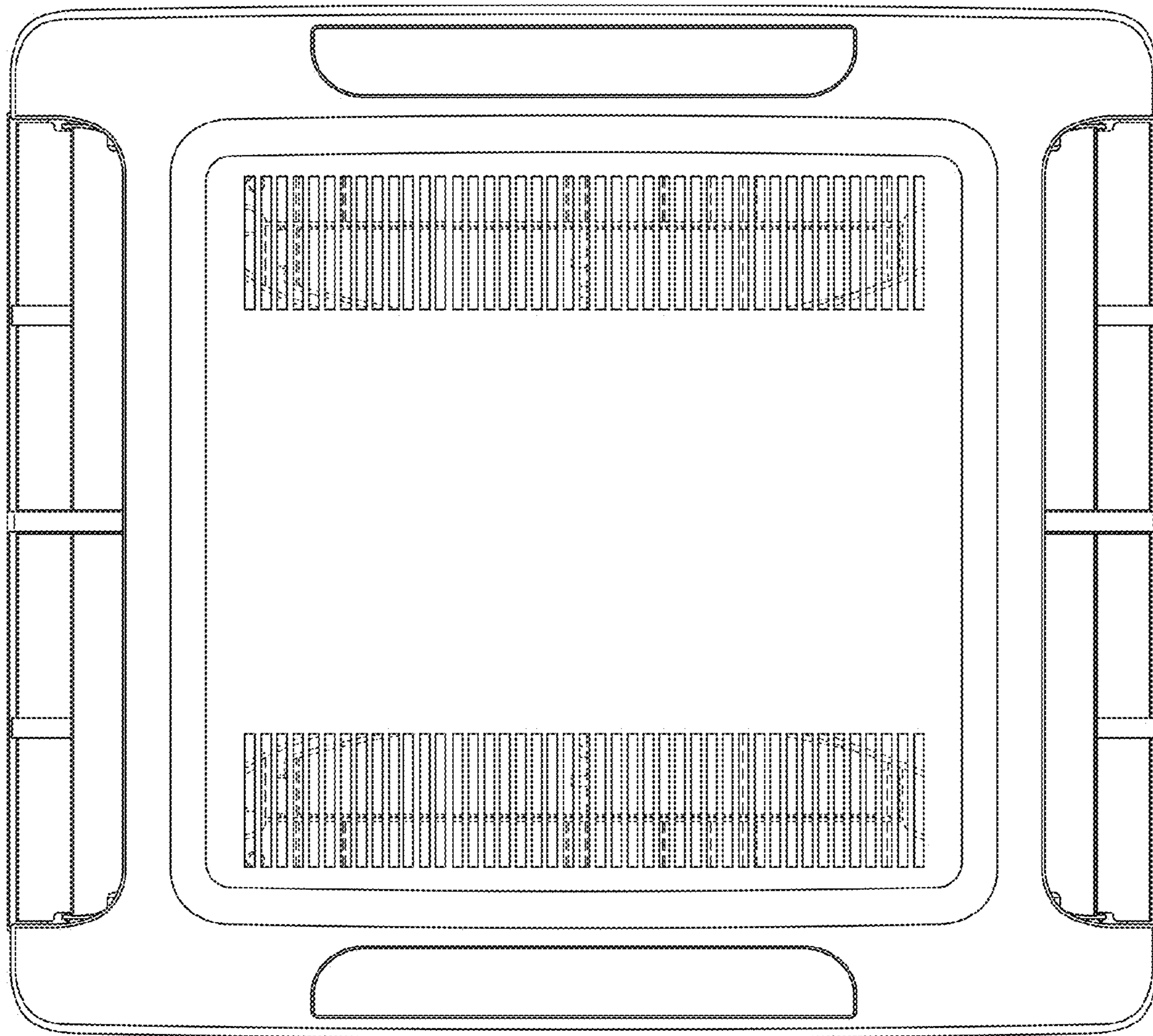


FIG. 6