



US00D917033S

(12) **United States Design Patent** (10) **Patent No.:** **US D917,033 S**
Pellerin et al. (45) **Date of Patent:** **** Apr. 20, 2021**

(54) **BASEBOARD HEATER**
(71) Applicant: **Stelpro Design Inc.**, Quebec (CA)
(72) Inventors: **Daniel Pellerin**, Varennes (CA);
Étienne Guay, Orford (CA)
(73) Assignee: **STELPRO DESIGN INC.**, Quebec (CA)
(**) Term: **15 Years**

D585,973 S * 2/2009 Geleziunas D23/395
D643,913 S * 8/2011 Ching D23/342
D675,302 S * 1/2013 Dukes D23/342
D715,416 S * 10/2014 Marino D23/342
D757,918 S * 5/2016 Messmer D23/341
D803,363 S * 11/2017 Smith D23/330
D834,699 S * 11/2018 Joly D23/395
2003/0230396 A1 * 12/2003 Weintraub F24D 19/04
165/55
2016/0273785 A1 * 9/2016 Marino F24D 19/06
2020/0116364 A1 * 4/2020 Kehoe F24D 3/16

(21) Appl. No.: **29/706,352**
(22) Filed: **Sep. 19, 2019**

FOREIGN PATENT DOCUMENTS

CA 1163296 A * 3/1984 F24H 9/1863
CA 1171447 A * 7/1984 F24H 9/02

(30) **Foreign Application Priority Data**
Mar. 19, 2019 (CA) CA 186563
(51) **LOC (13) Cl.** **23-03**
(52) **U.S. Cl.**
USPC **D23/342**
(58) **Field of Classification Search**
USPC D23/314, 318, 320, 322, 329, 342, 343,
D23/344, 347
CPC F24D 19/06; F24D 19/067; F24D 19/0273;
F24D 19/0036; F24D 19/0065
See application file for complete search history.

* cited by examiner

Primary Examiner — Ania Aman
(74) *Attorney, Agent, or Firm* — Ostrolenk Faber LLP

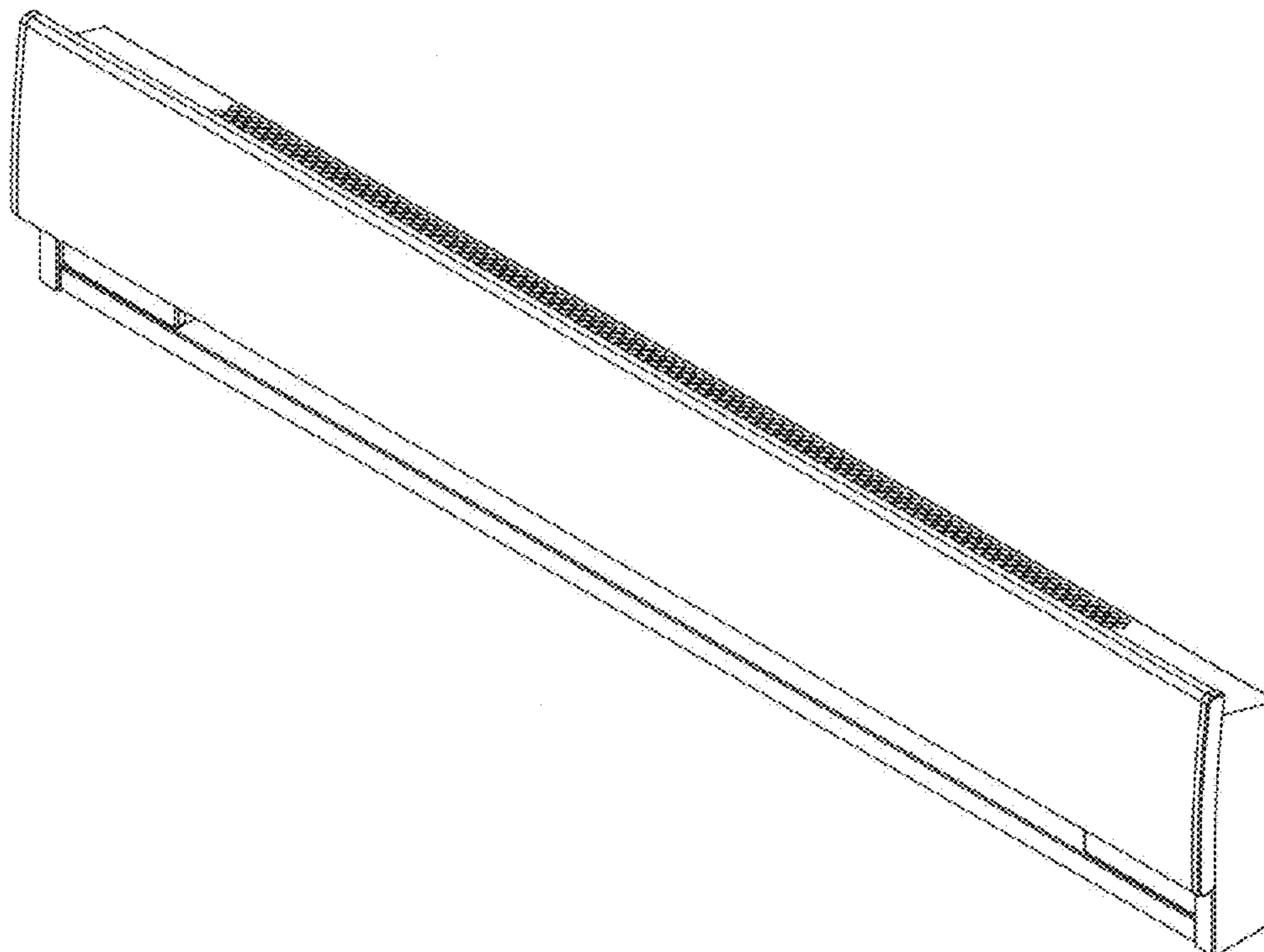
(56) **References Cited**
U.S. PATENT DOCUMENTS
3,165,624 A * 1/1965 Cunningham F24H 3/002
392/353
3,448,243 A * 6/1969 Ripple F24H 3/002
392/353

(57) **CLAIM**
The ornamental design for a baseboard heater, as shown and described.

DESCRIPTION

FIG. 1 is a perspective view of a baseboard heater showing our new design;
FIG. 2 is a front view thereof;
FIG. 3 is a left side elevation view thereof;
FIG. 4 is a right side elevation view thereof; and,
FIG. 5 is a top plan view thereof.
The broken lines in FIG. 2 depict portions of the baseboard heater that form no part of the claimed design.

1 Claim, 5 Drawing Sheets



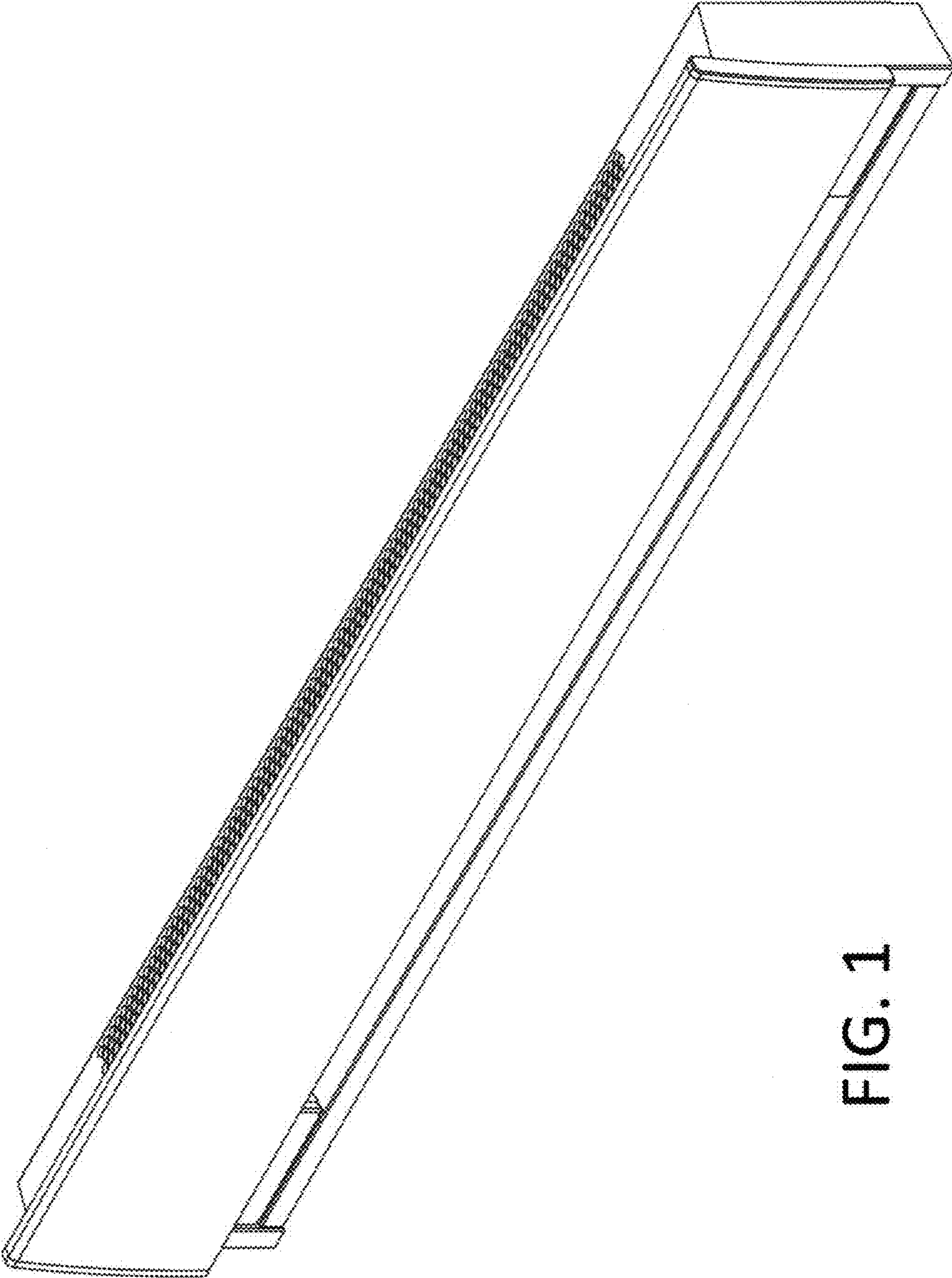


FIG. 1

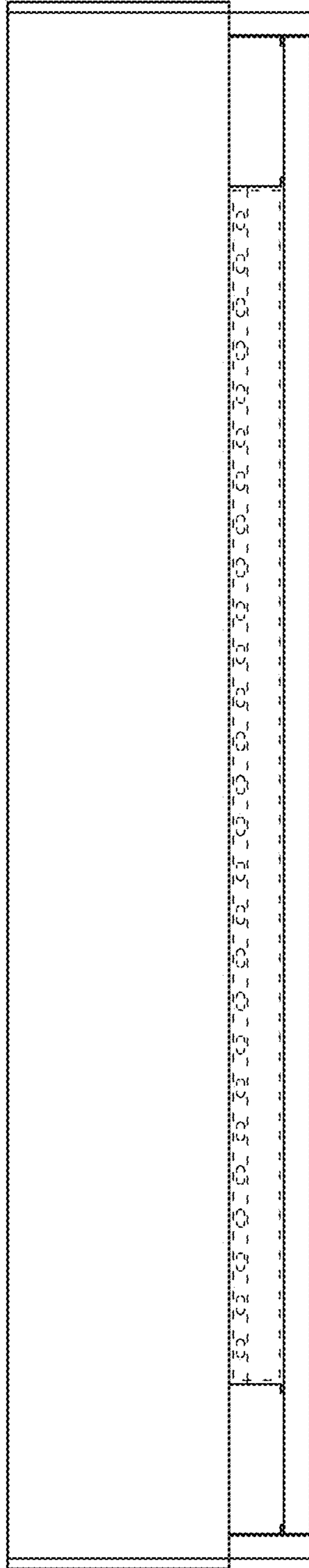


FIG. 2

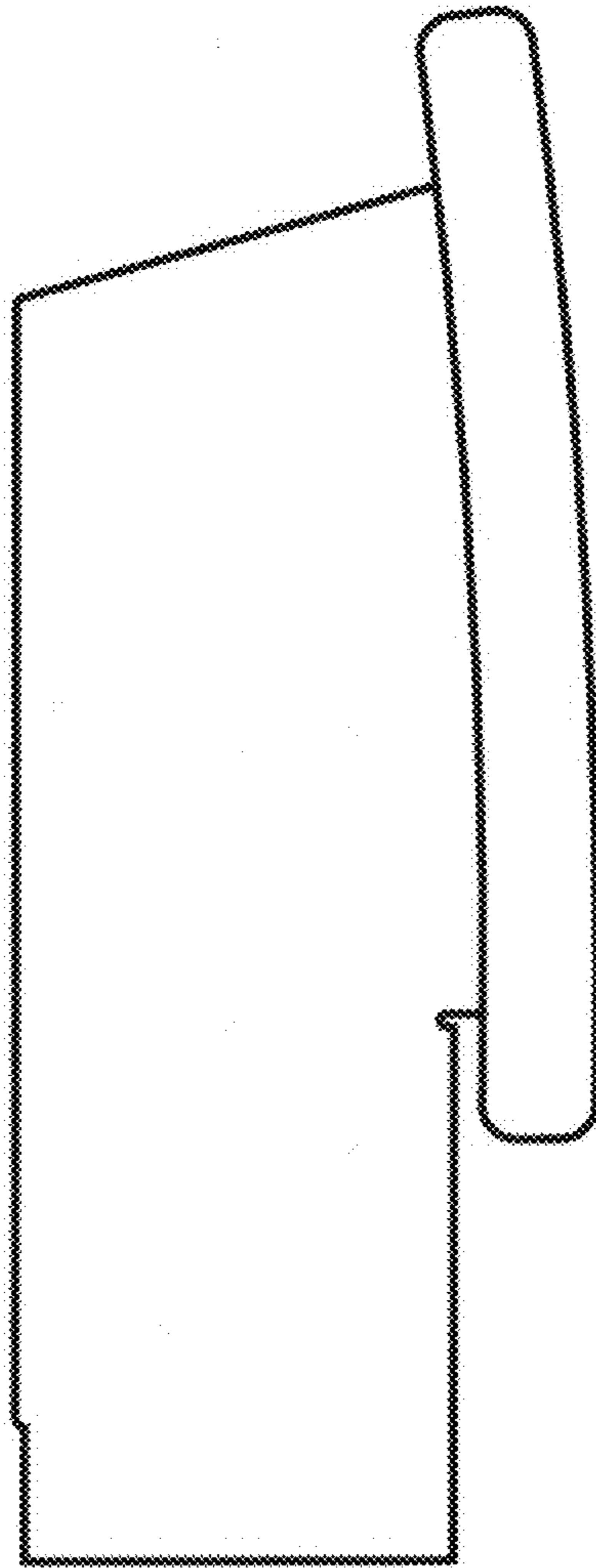


FIG. 3

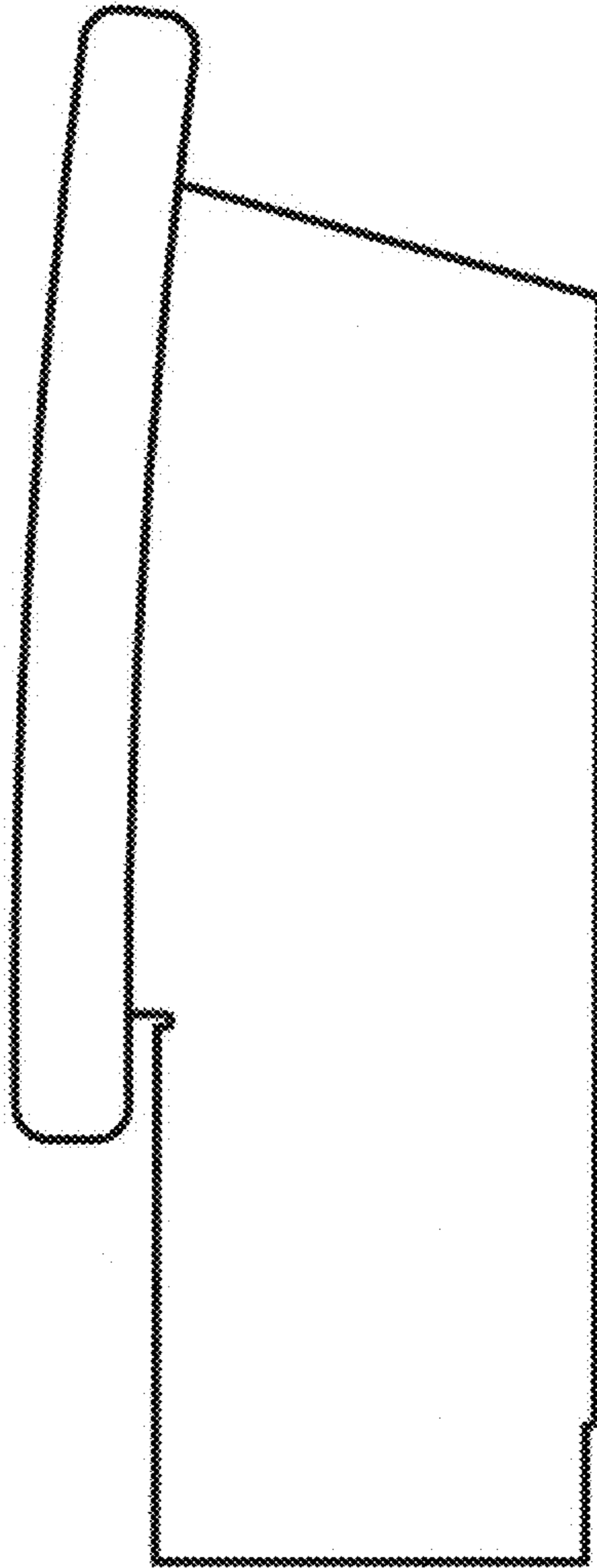


FIG. 4

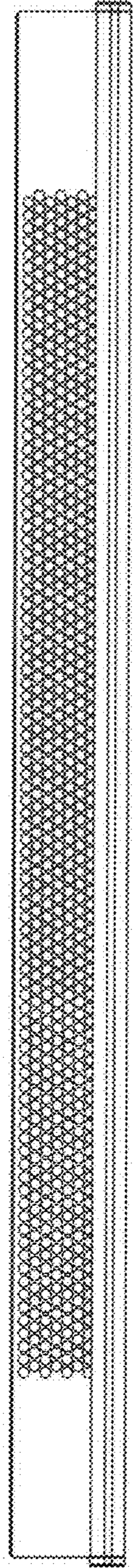


FIG. 5