



US00D917030S

(12) **United States Design Patent**
Yan

(10) **Patent No.:** **US D917,030 S**

(45) **Date of Patent:** **** Apr. 20, 2021**

(54) **BIDET**

(71) Applicant: **Xiamen Galenpoo Kitchen&Bathroom Technology Co., Ltd., Xiamen (CN)**

(72) Inventor: **Xiaoling Yan, Fujian Province (CN)**

(**) Term: **15 Years**

(21) Appl. No.: **29/762,746**

(22) Filed: **Dec. 18, 2020**

(51) **LOC (13) Cl.** **23-02**

(52) **U.S. Cl.**
USPC **D23/309**

(58) **Field of Classification Search**
USPC D23/303, 309-311
CPC E03D 9/08
See application file for complete search history.

(56) **References Cited**

U.S. PATENT DOCUMENTS

D558,862 S	1/2008	Stein	
D668,928 S *	10/2012	Butan D8/312
9,637,903 B2 *	5/2017	Gupta E03D 9/08
9,745,732 B2 *	8/2017	Suggs A47K 13/26

D890,314 S *	7/2020	Yan D23/309
D897,507 S *	9/2020	Agrawal D23/309
2018/0209129 A1 *	7/2018	He E03D 9/08

* cited by examiner

Primary Examiner — Robert A Delehanty

(57) **CLAIM**

The ornamental design for a bidet, as shown and described.

DESCRIPTION

FIG. 1 is a front and top perspective view of a bidet, showing my new design;
 FIG. 2 is a rear and bottom perspective view thereof;
 FIG. 3 is a front elevational view thereof;
 FIG. 4 is a rear elevational view thereof;
 FIG. 5 is a left side elevational view thereof;
 FIG. 6 is a right side elevational view thereof;
 FIG. 7 is a top plan view thereof;
 FIG. 8 is a bottom plan view thereof; and,
 FIG. 9 is an enlarged view of a portion labeled, 'FIG. 9' in FIG. 1.

The broken lines in the figures illustrate portions of the bidet that form no part of the claimed design. The dash dot dash lines in FIGS. 1 and 9 are for the purpose of depicting the cut line of the enlarged view and form no part of the claim.

1 Claim, 9 Drawing Sheets

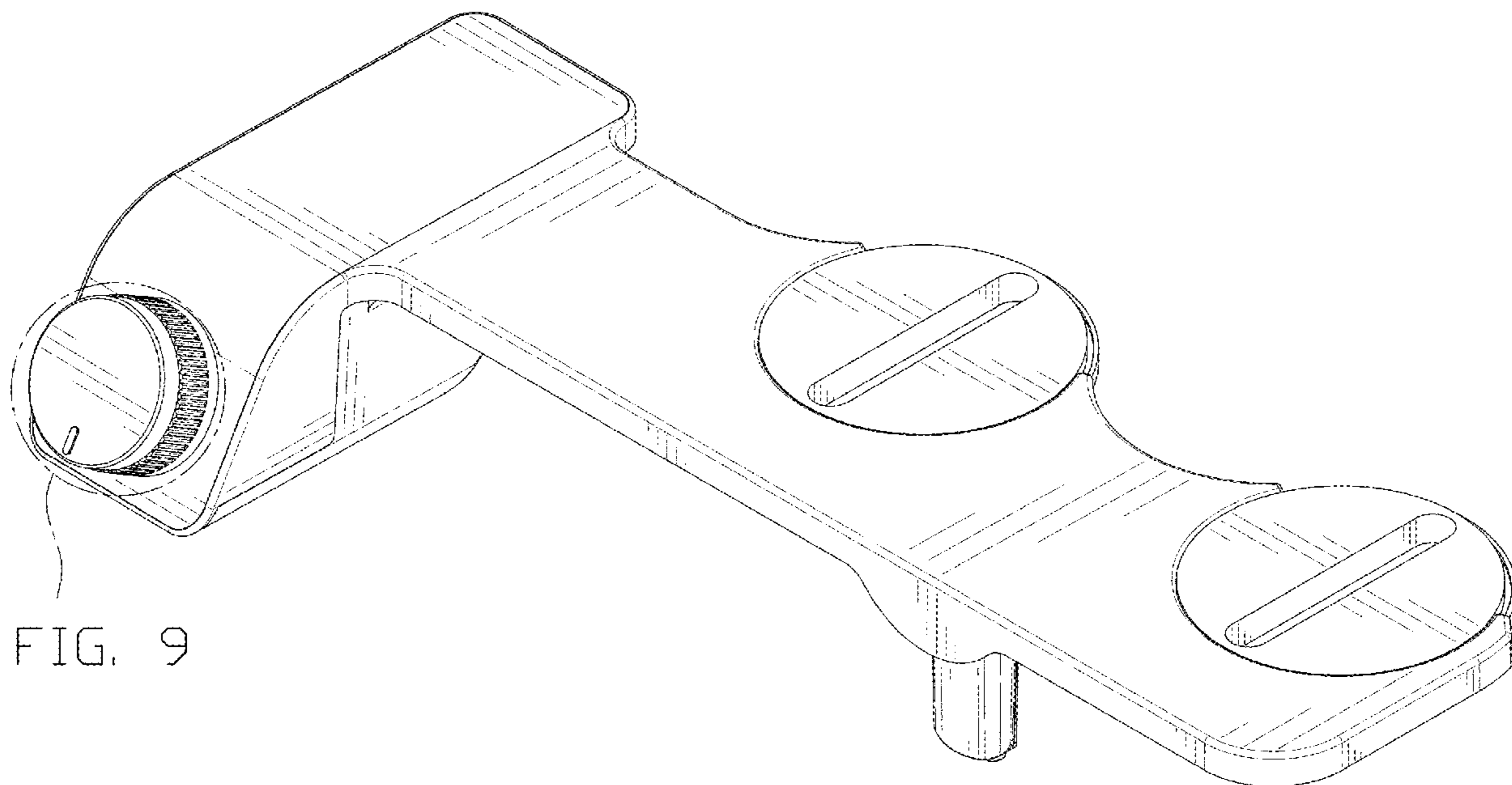


FIG. 9

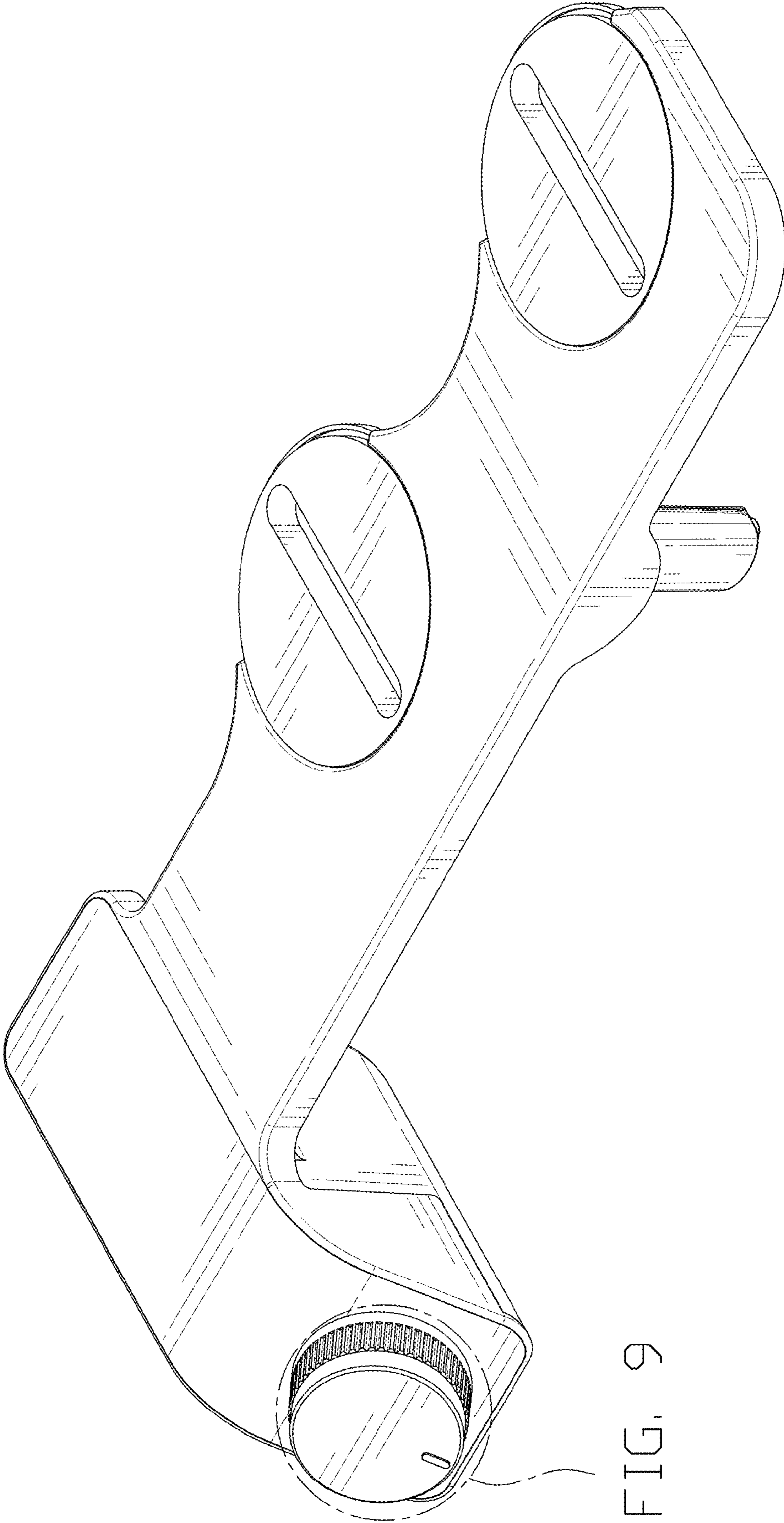


FIG. 1

FIG. 9

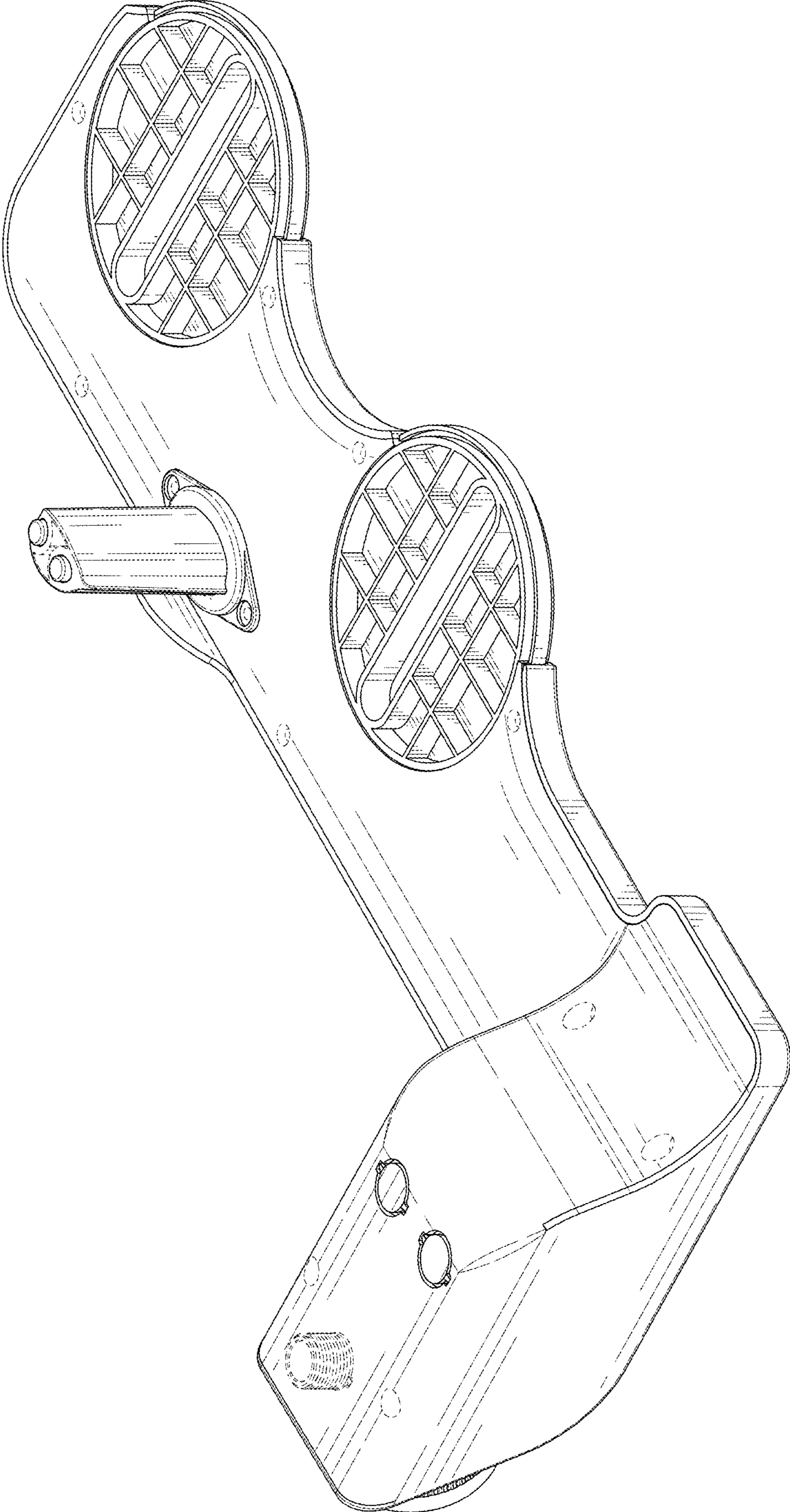


FIG. 2

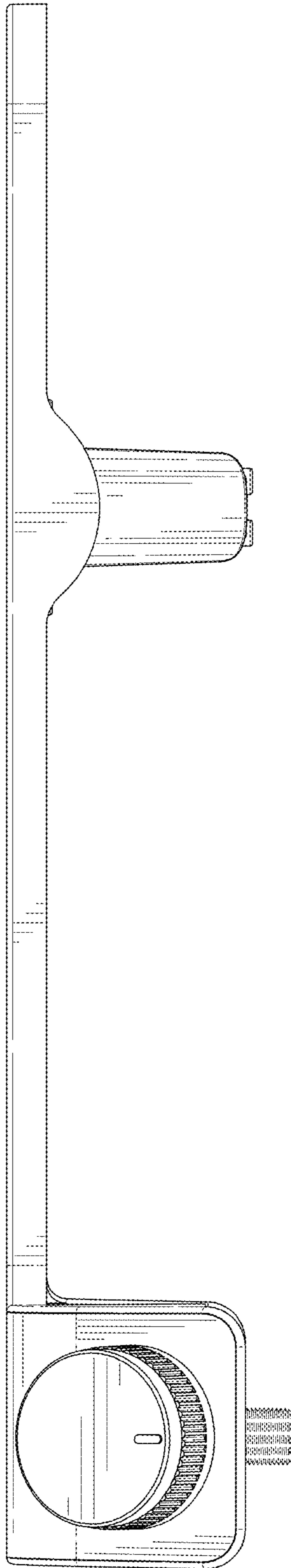


FIG. 3

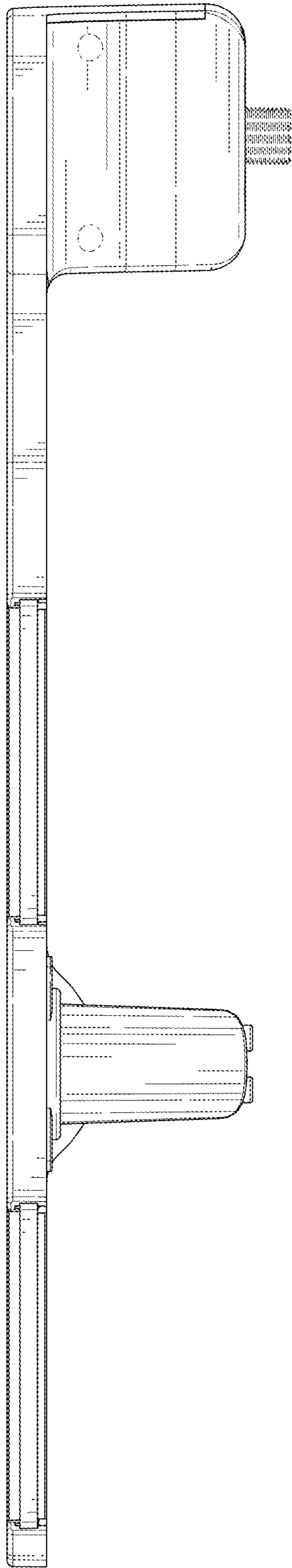


FIG. 4

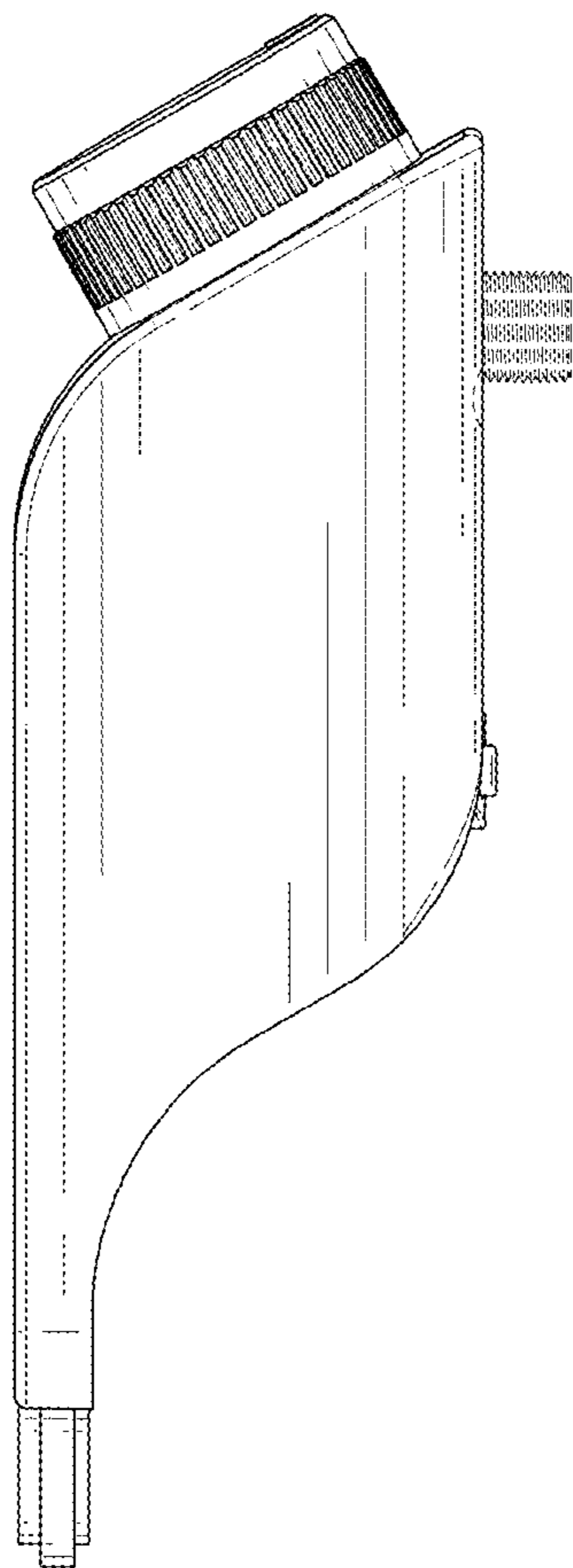


FIG. 5

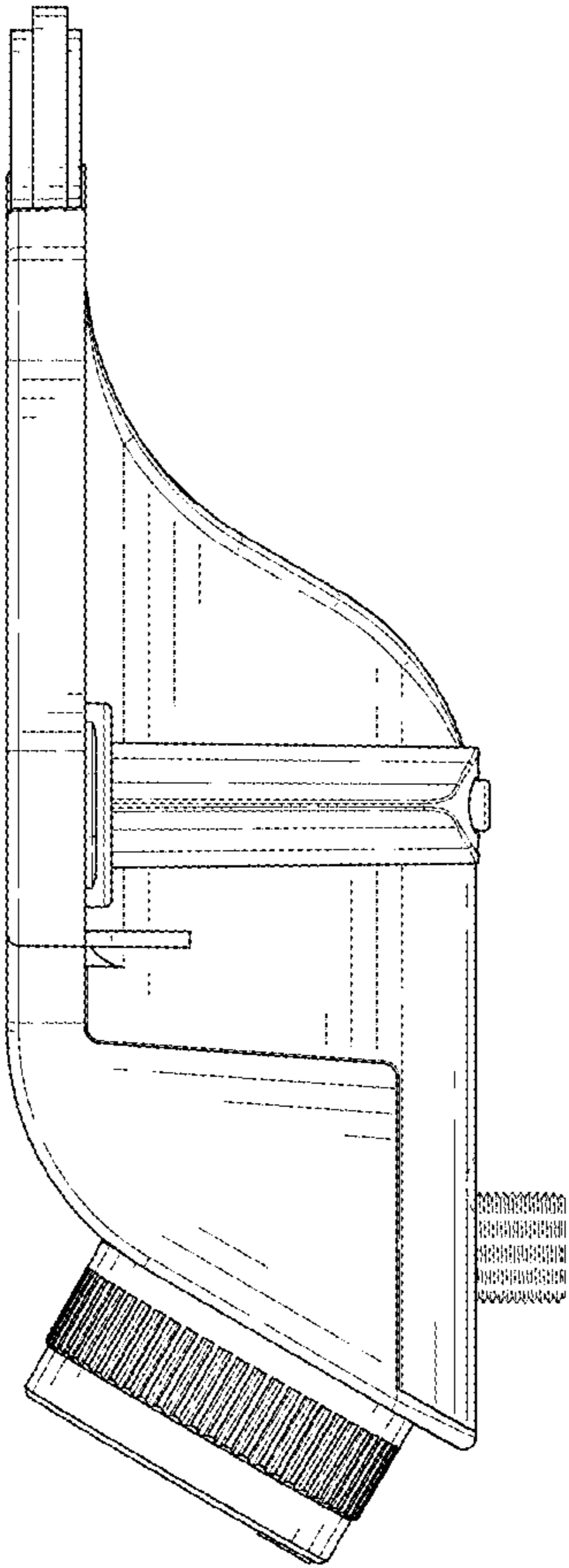


FIG. 6

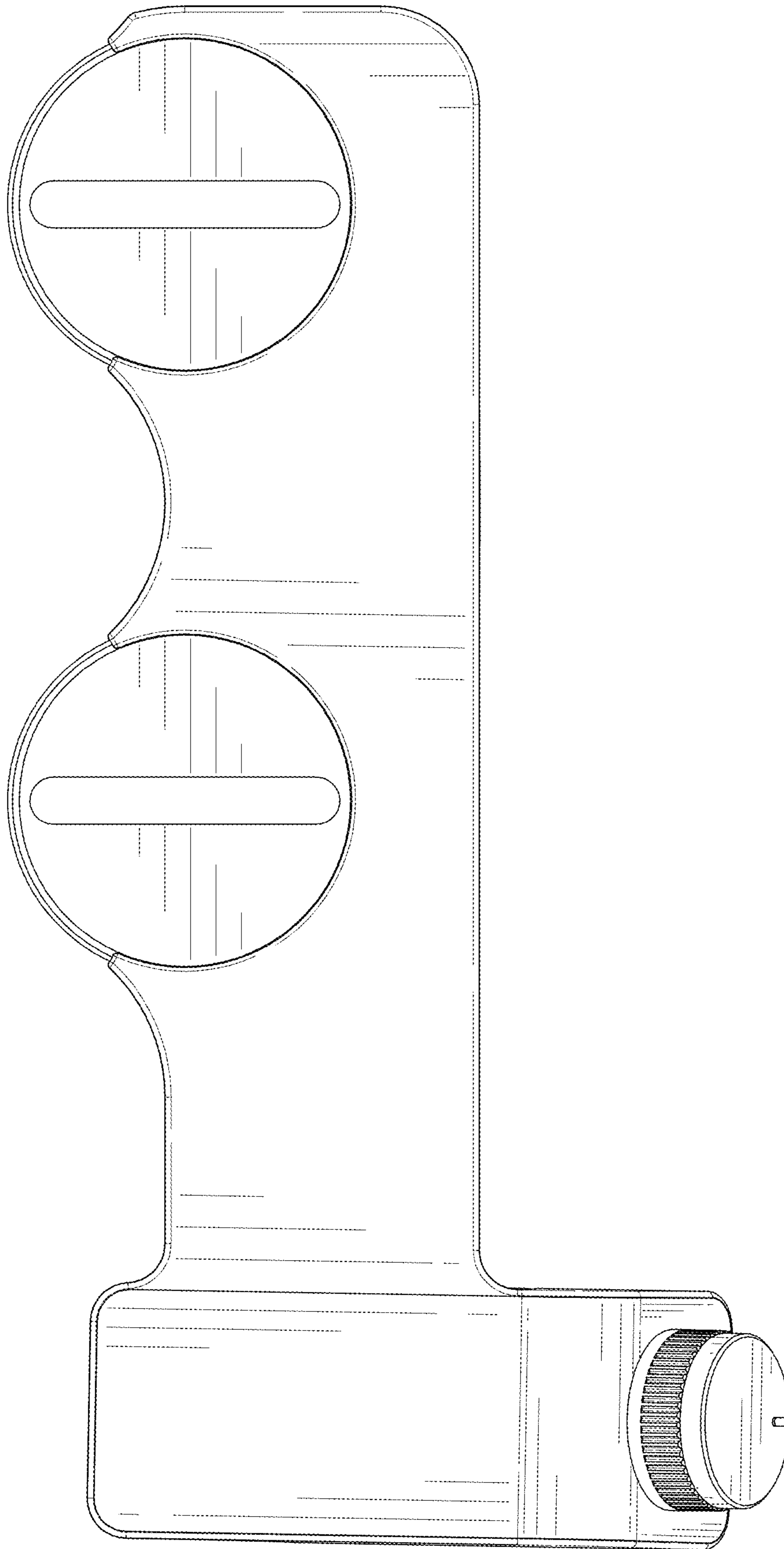


FIG. 7

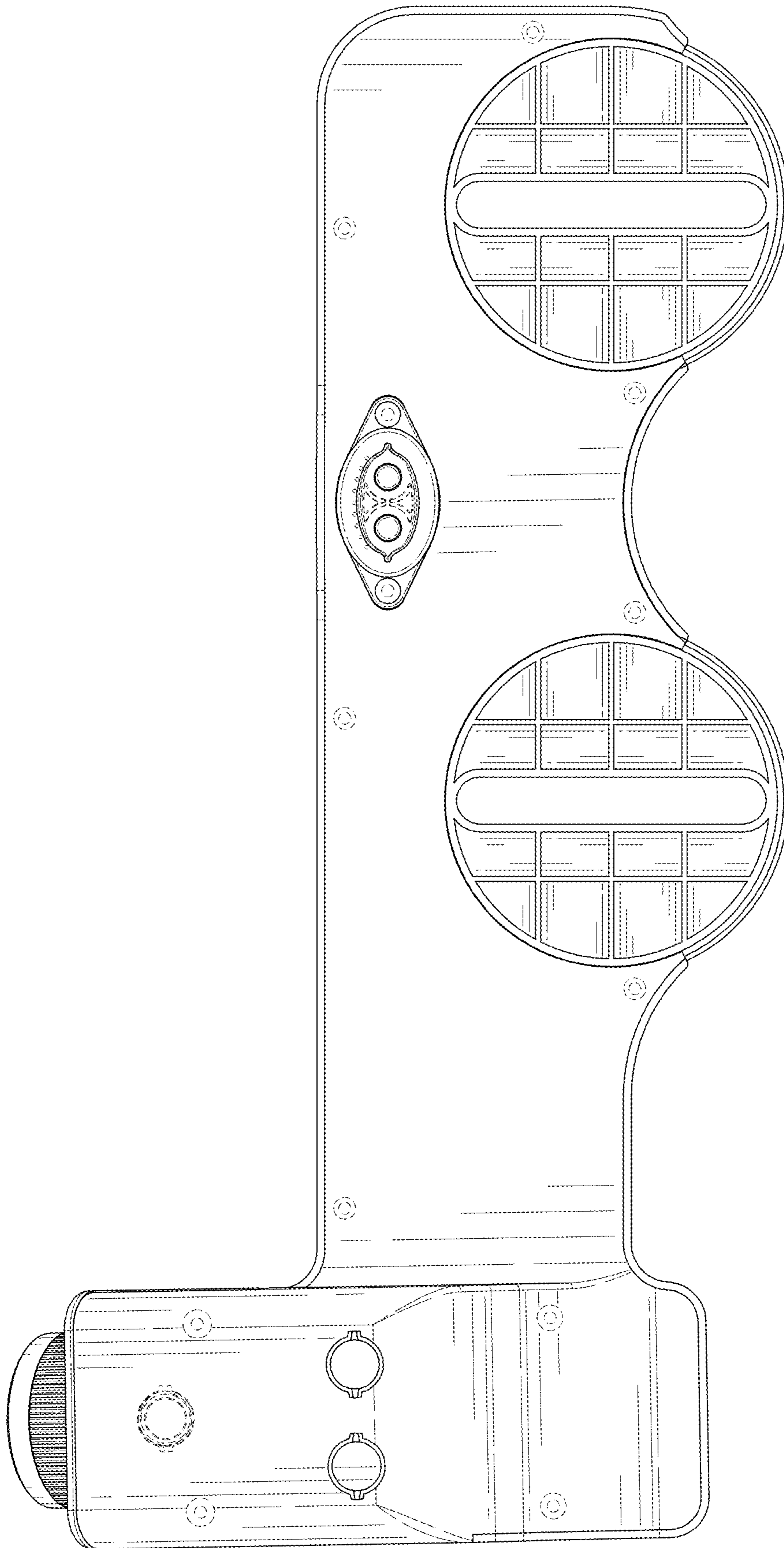


FIG. 8

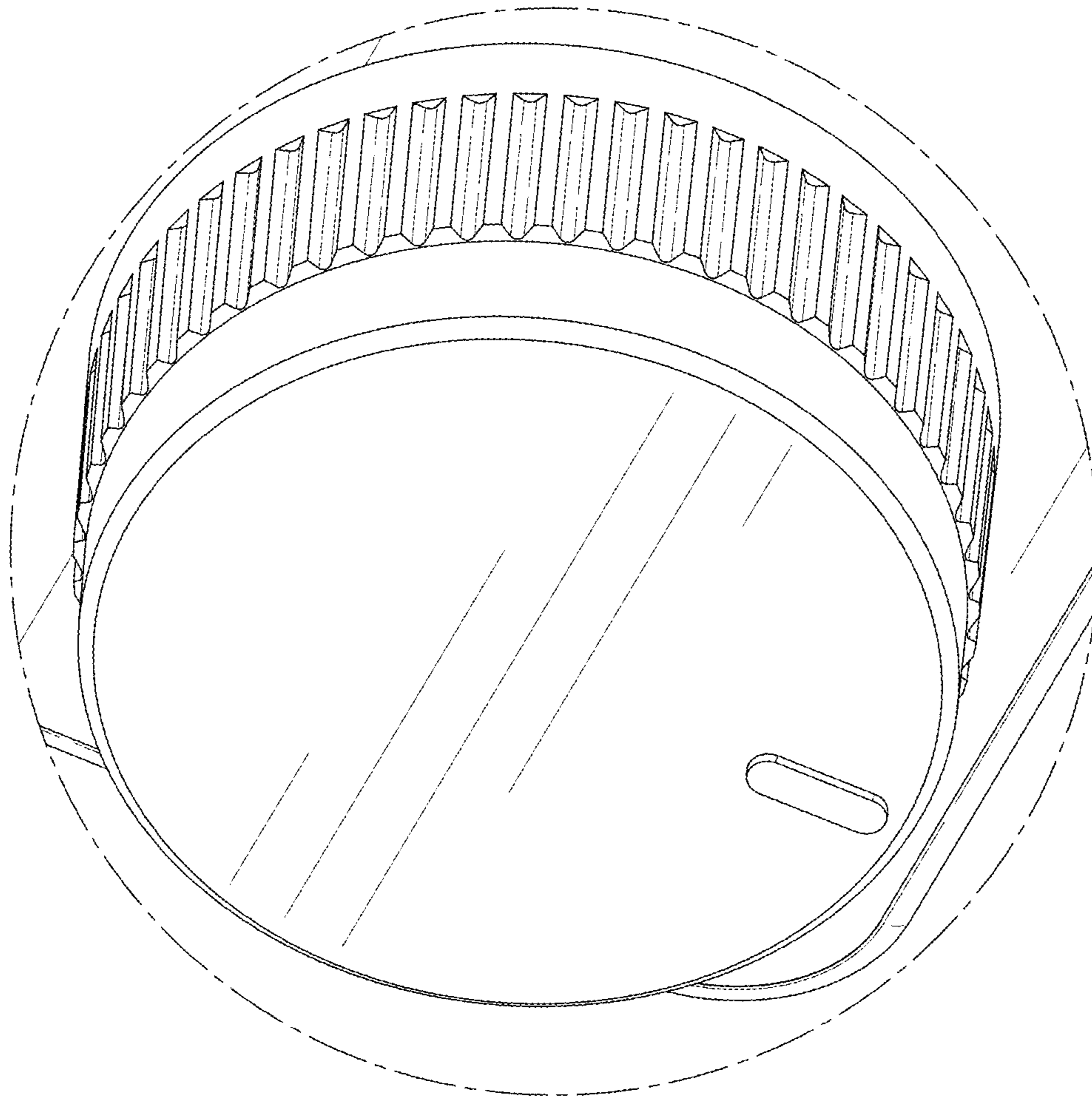


FIG. 9