



US00D917029S

(12) **United States Design Patent**  
**Niu**

(10) **Patent No.:** **US D917,029 S**

(45) **Date of Patent:** **\*\* Apr. 20, 2021**

(54) **COMMODE**

(71) Applicant: **Beijing KuaQu Technology Co., LTD,**  
Beijing (CN)

(72) Inventor: **Guifang Niu,** Beijing (CN)

(73) Assignee: **Beijing KuaQu Technology Co., LTD,**  
Beijing (CN)

(\*\*) Term: **15 Years**

(21) Appl. No.: **29/750,866**

(22) Filed: **Sep. 17, 2020**

(51) **LOC (13) Cl.** ..... **23-02**

(52) **U.S. Cl.**  
USPC ..... **D23/299**

(58) **Field of Classification Search**  
USPC ..... D23/296, 299, 309; D24/123; D7/512;  
D3/305; D32/37  
See application file for complete search history.

(56) **References Cited**

**U.S. PATENT DOCUMENTS**

D620,089 S 7/2010 Elliot  
D670,377 S 11/2012 Adams

**OTHER PUBLICATIONS**

Retractable Folding Stools Portable Plastic Stool, Pretty Little Store, (Year: 2021) <https://prettylittledealstore.com/products/>

retractable-folding-stools-portable-plastic-stool?variant=30914401599537&currency=USD&utm\_medium=product\_sync&utm\_source=google&utm\_content=sag\_organic&utm\_campaign=sag\_organic&gclid=EALalQobChMI8rLivfH97glVmb7IChOAHAmcEAQYCyABEgLWs\_D\_BwE (Year: 2021).\*

\* cited by examiner

*Primary Examiner* — Robert A Delehanty  
(74) *Attorney, Agent, or Firm* — ScienBiziP, P.C.

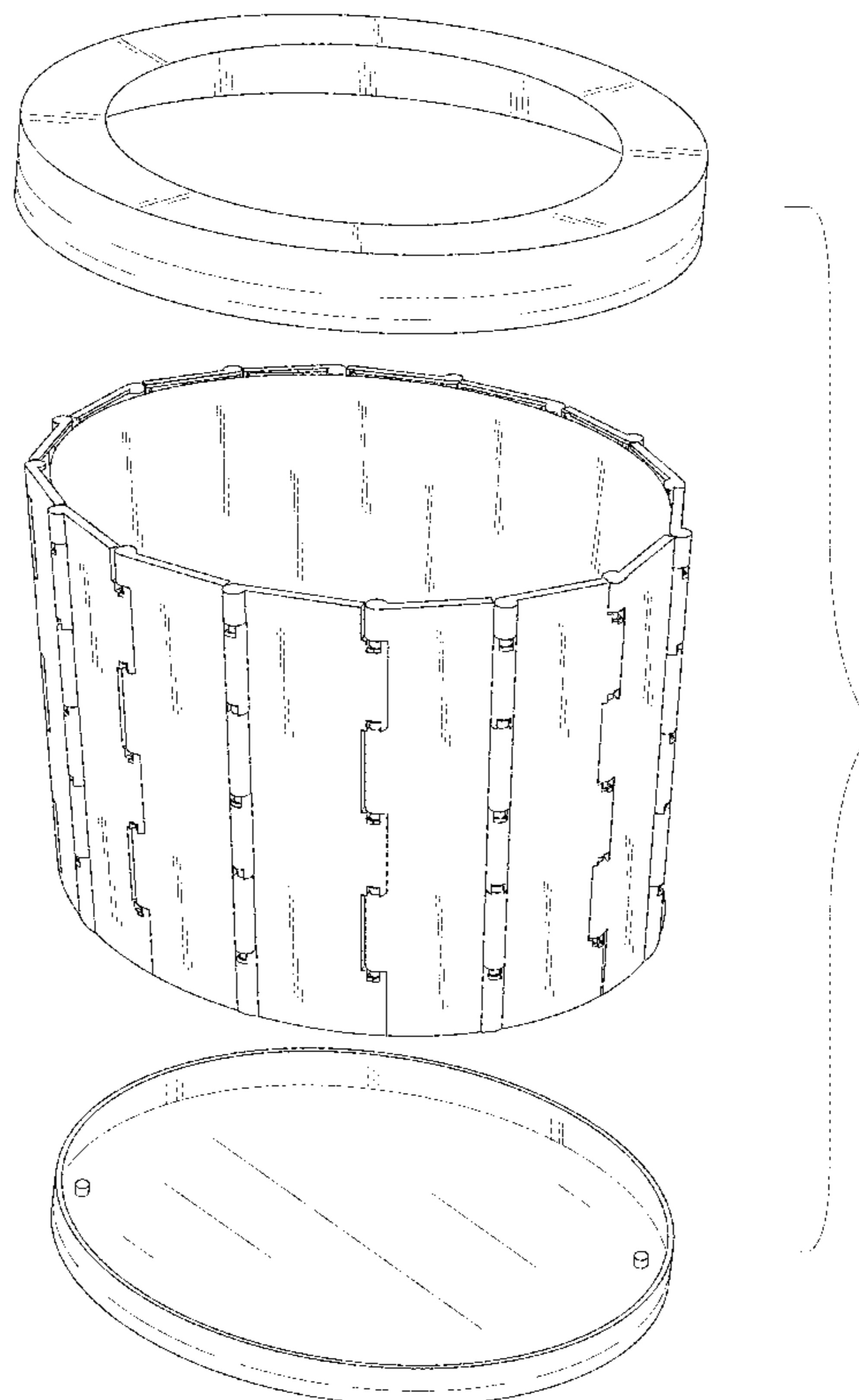
(57) **CLAIM**

The ornamental design for a commode, as shown and described.

**DESCRIPTION**

FIG. 1 is a perspective view of a commode, showing my design.  
FIG. 2 is a front elevation view thereof.  
FIG. 3 is a rear elevation view thereof.  
FIG. 4 is a left side elevation view thereof.  
FIG. 5 is a right side elevation view thereof.  
FIG. 6 is a top plan view thereof.  
FIG. 7 is a bottom plan view thereof.  
FIG. 8 is an exploded view of the commode; and,  
FIG. 9 is a perspective view of the commode in a folding state.

**1 Claim, 9 Drawing Sheets**



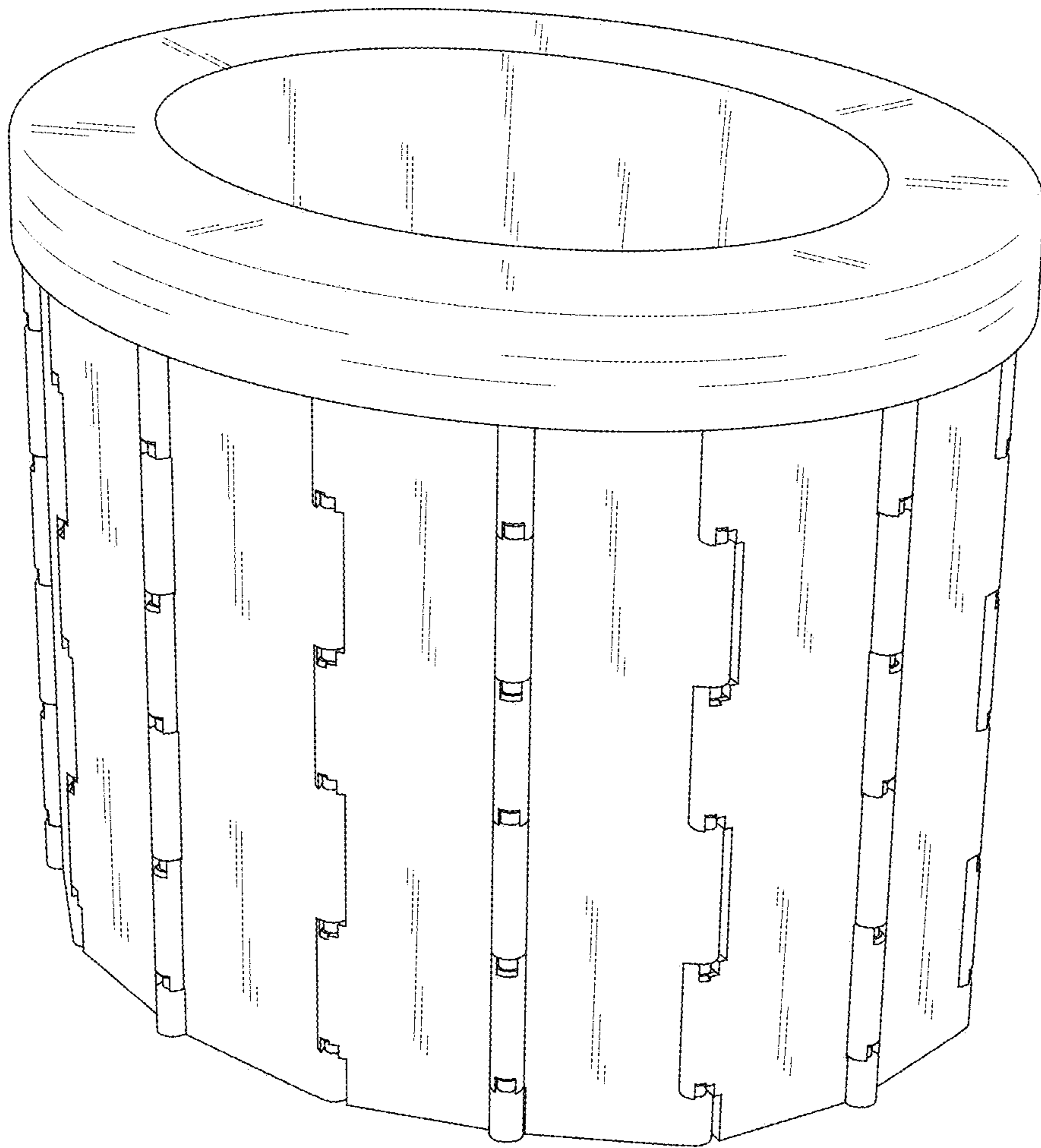


FIG.1

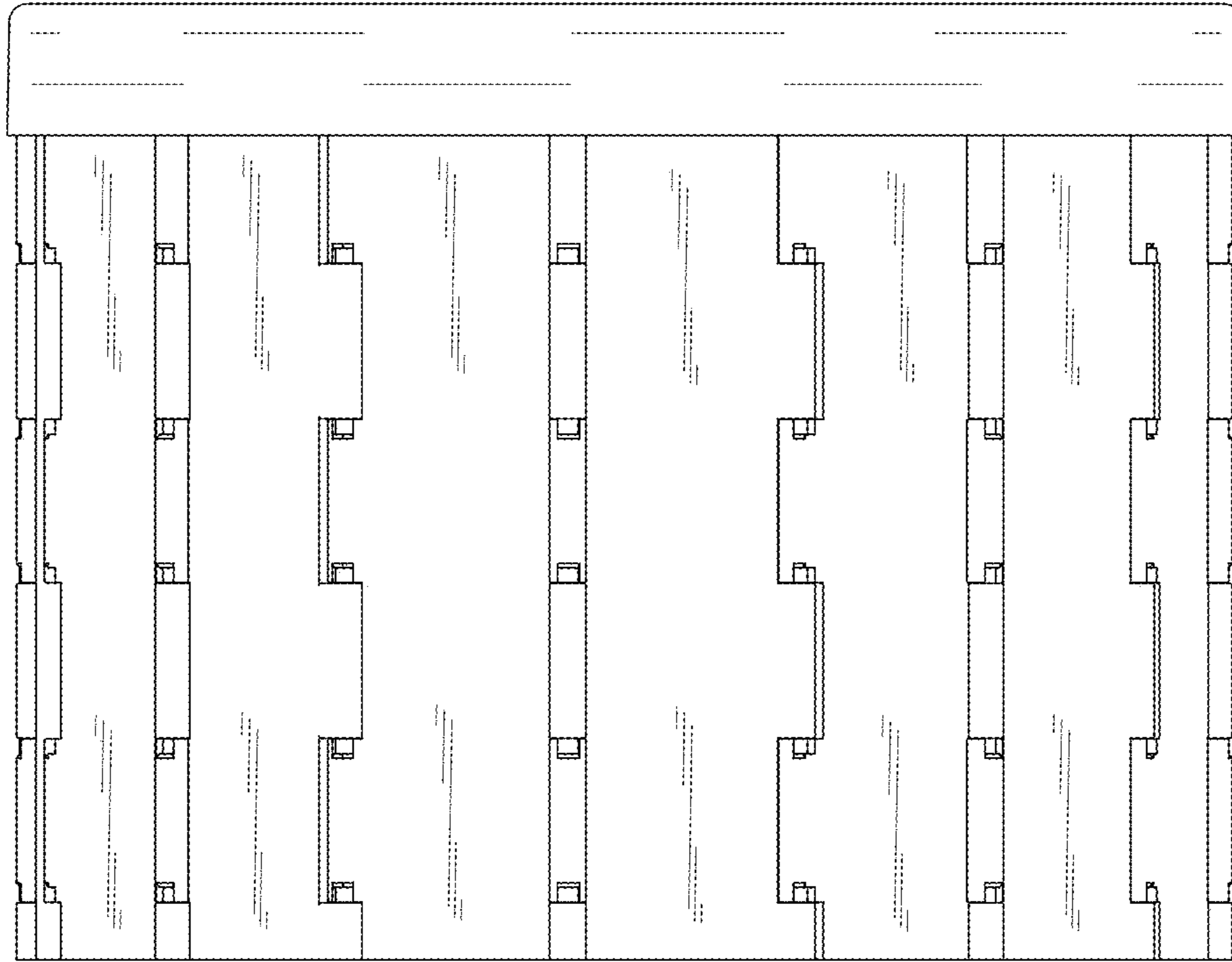


FIG.2

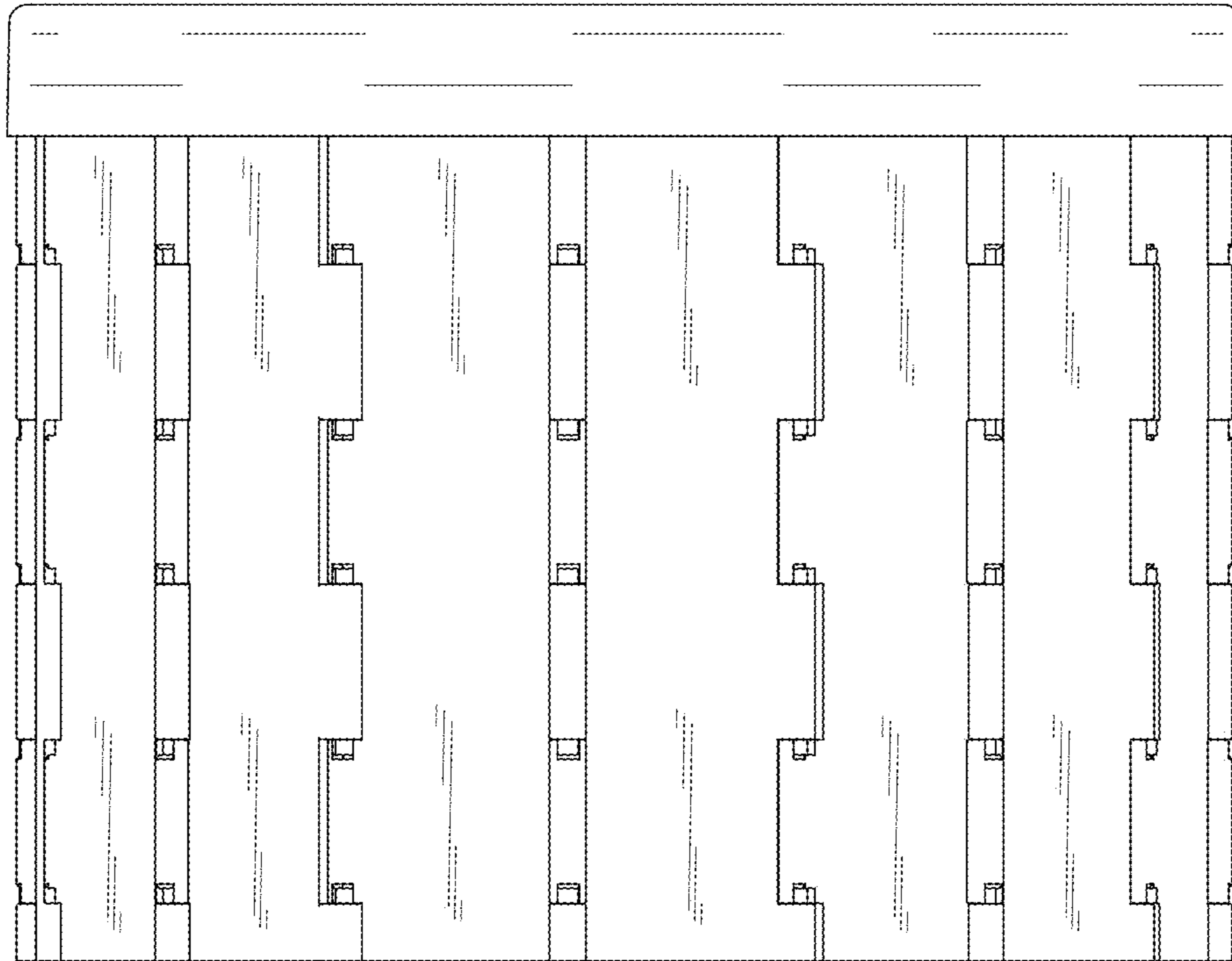


FIG.3

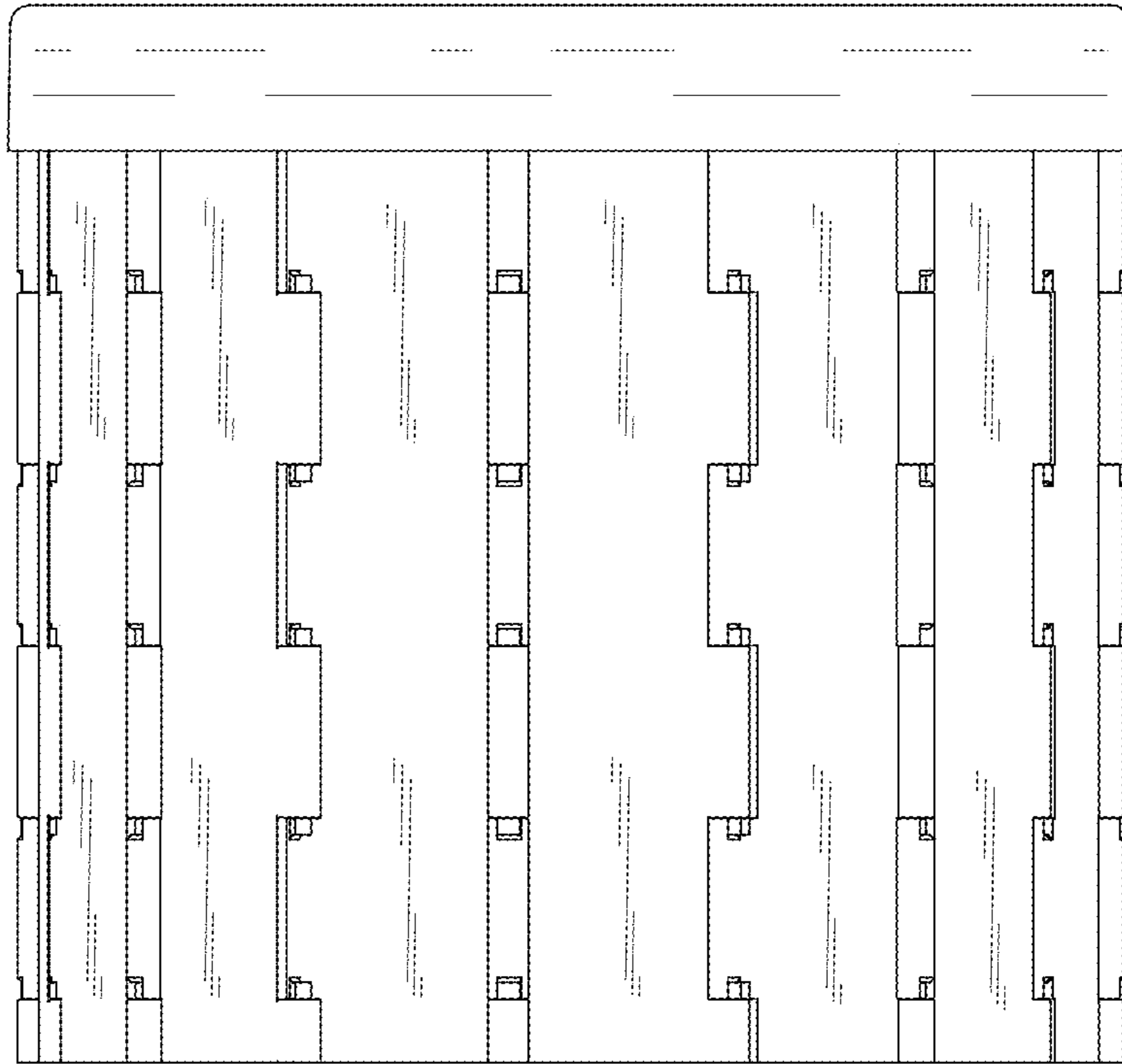


FIG.4

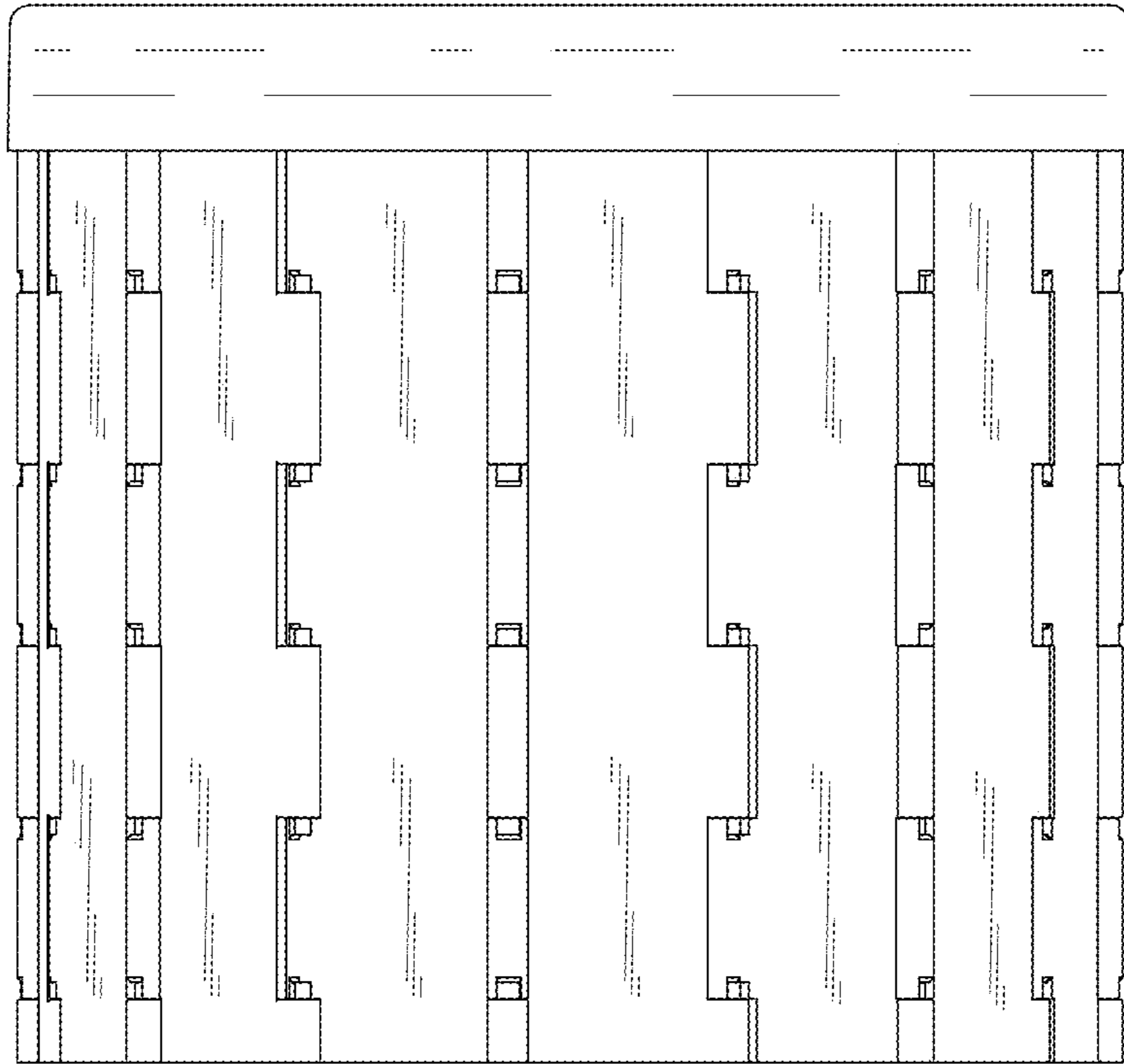


FIG.5

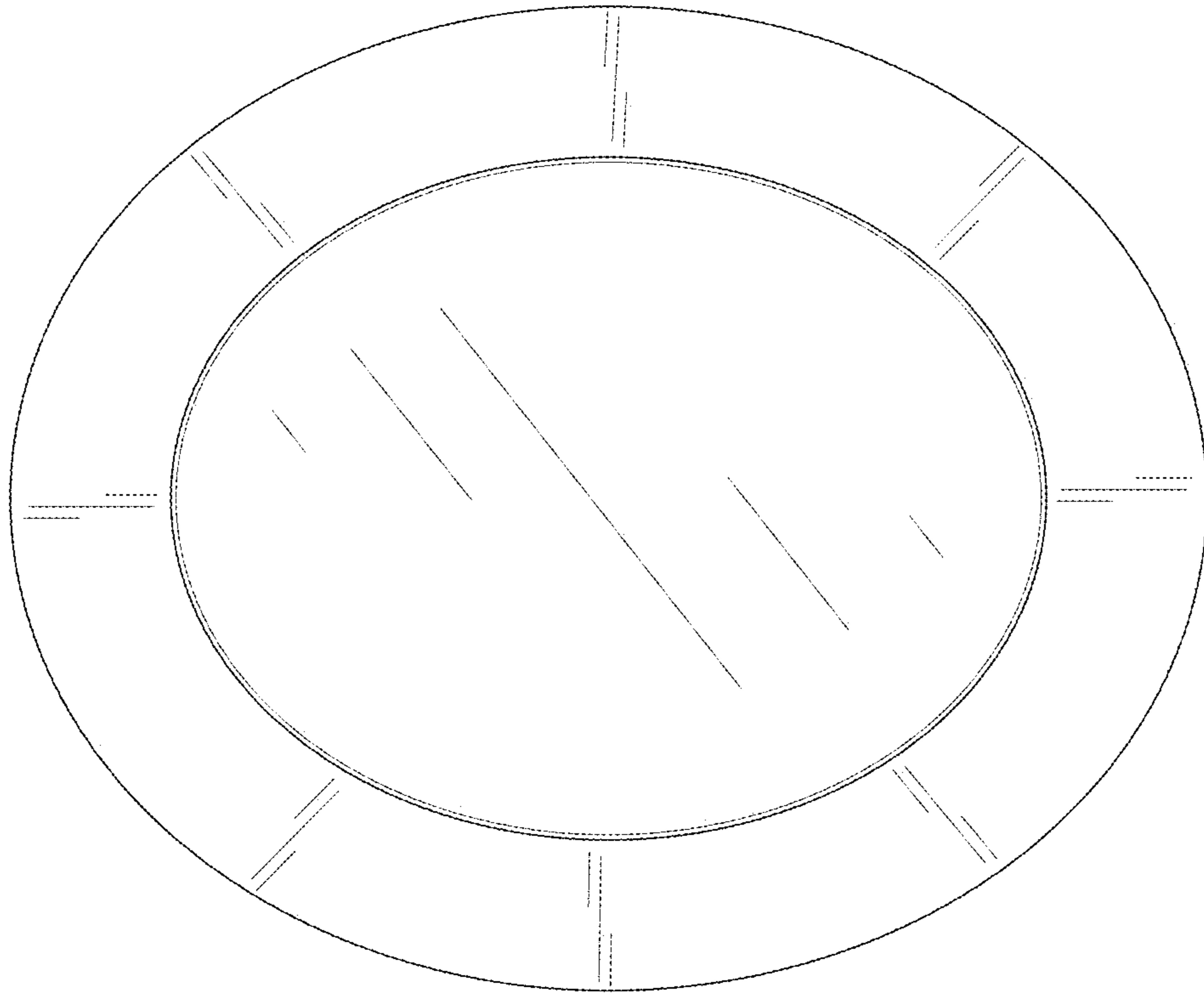


FIG. 6



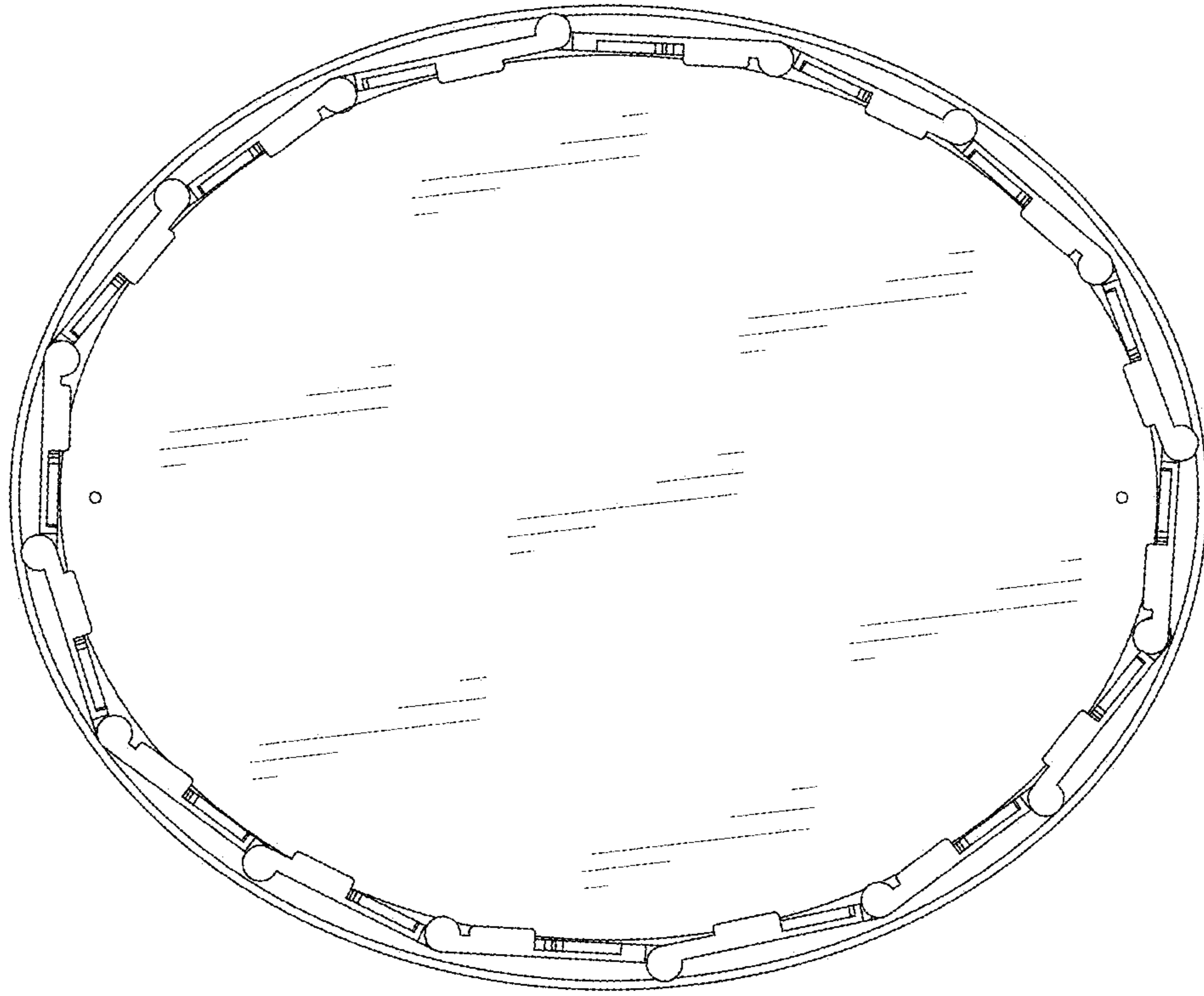


FIG.7



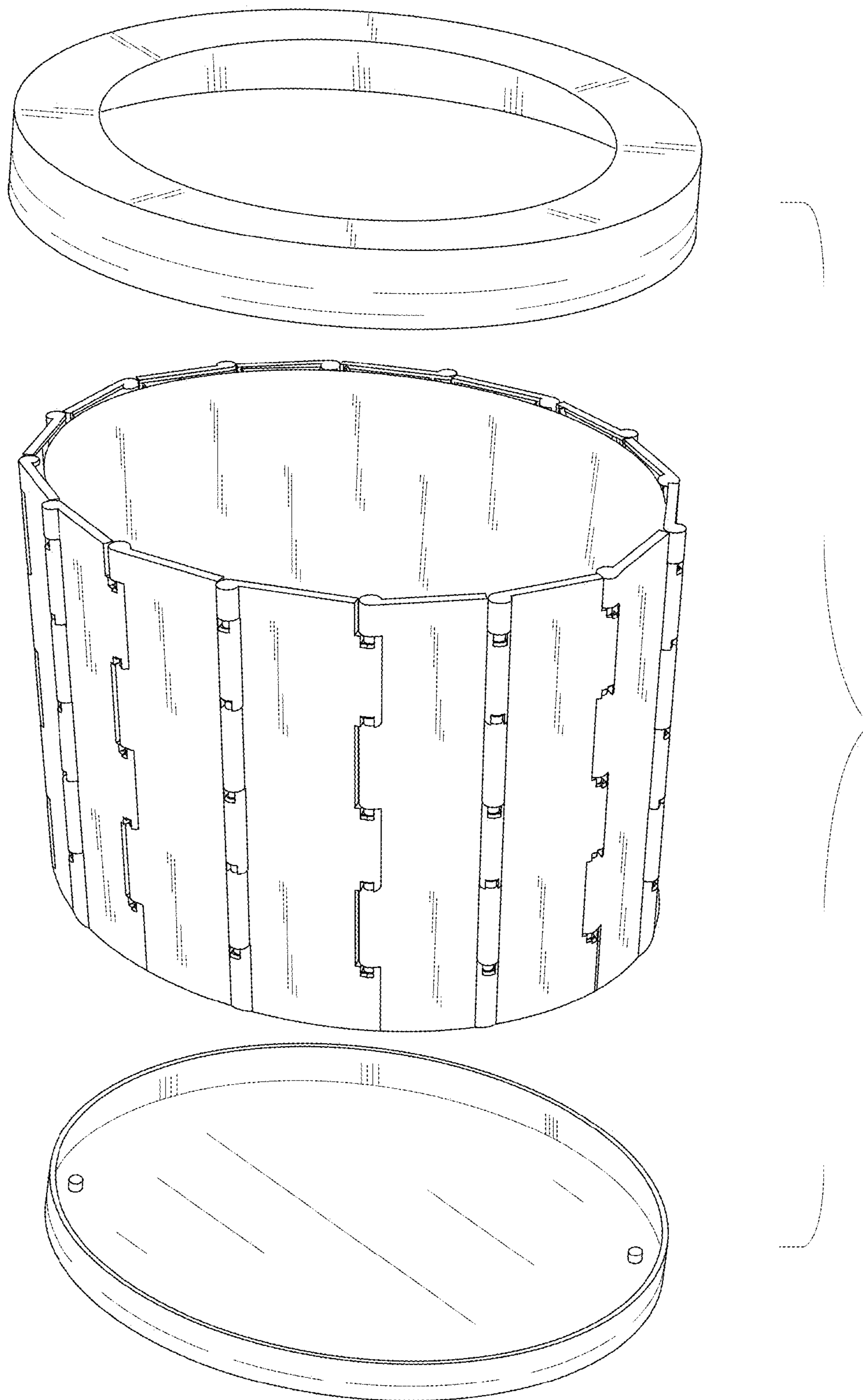


FIG.8

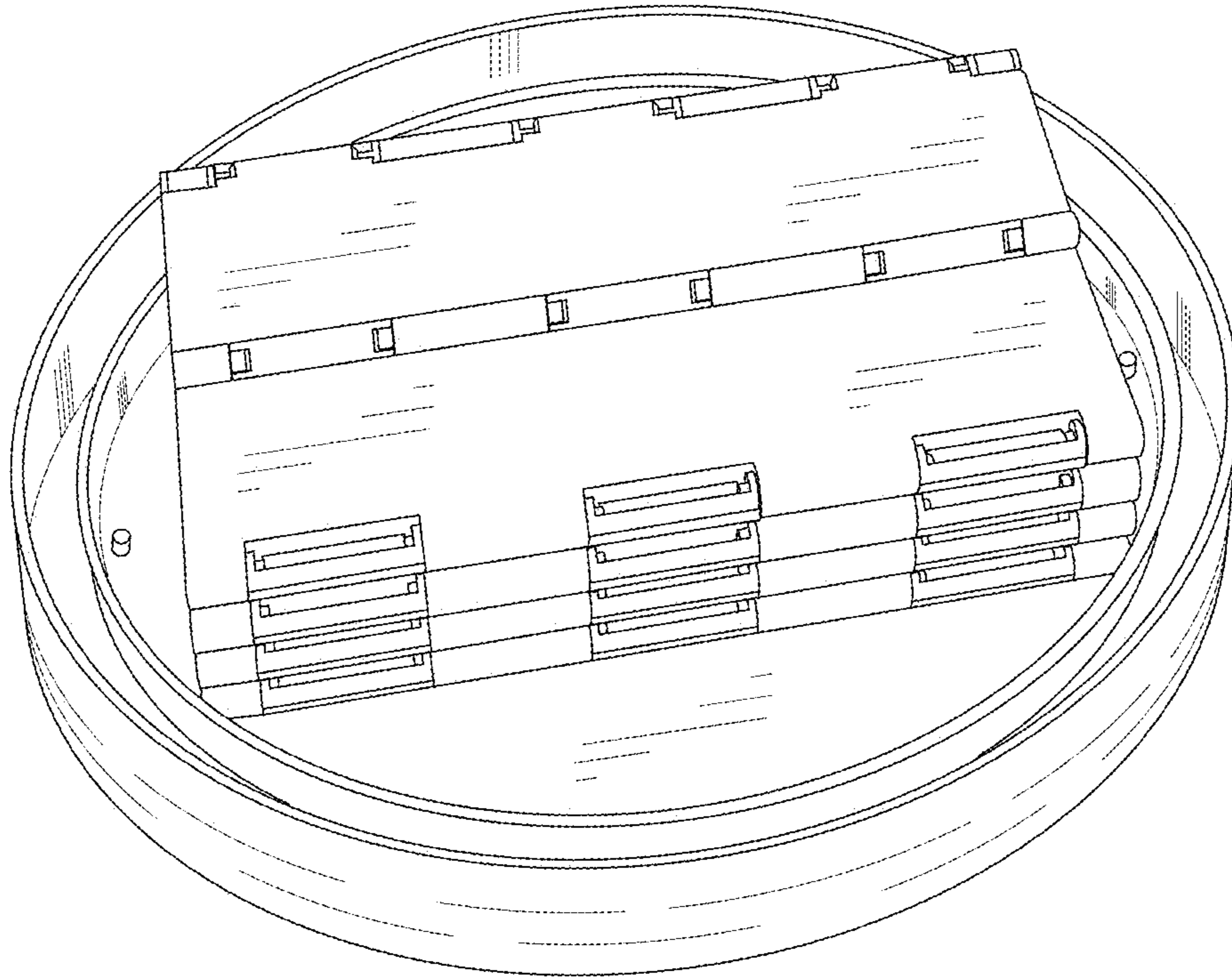


FIG.9