



US00D917027S

(12) **United States Design Patent** (10) **Patent No.:** **US D917,027 S**
Vegso et al. (45) **Date of Patent:** **** Apr. 20, 2021**

(54) **NON-RETURN DEVICE VALVE SUPPORT MEMBER**

4,053,165 A 10/1977 Hartley
4,072,328 A 2/1978 Elliott
4,173,362 A 11/1979 Glover et al.
4,585,031 A 4/1986 Raftis et al.

(71) Applicant: **LaSalle Bristol Corporation**, Elkhart, IN (US)

(Continued)

(72) Inventors: **Zsolt F. Vegso**, Culver, IN (US);
Douglas W. Mirth, Avon, OH (US)

FOREIGN PATENT DOCUMENTS

DE 354929 6/1922
DE 362324 10/1922

(73) Assignee: **LaSalle Bristol Corporation**, Elkhart, IN (US)

(Continued)

(**) Term: **15 Years**

OTHER PUBLICATIONS

Seaflo Valve & Components, Photographs, May 1, 2019, 5 pages.

(21) Appl. No.: **29/717,604**

(Continued)

(22) Filed: **Dec. 18, 2019**

Primary Examiner — Gino Colan

(51) **LOC (13) Cl.** **23-01**

(74) *Attorney, Agent, or Firm* — Barnes & Thornburg LLP

(52) **U.S. Cl.**

USPC **D23/269**

(58) **Field of Classification Search**

USPC D23/233, 235, 241, 247, 248, 249, 259,
D23/261, 269; 137/844, 512, 846, 847,
137/850, 362

CPC E03F 7/00; E03F 7/04; F16K 15/14; F16K
15/147; F04B 53/10

See application file for complete search history.

(57) **CLAIM**

We claim the ornamental design for a non-return device valve support support member, as shown and described.

DESCRIPTION

FIG. 1 is a perspective view of a non-return device valve support member showing our new design.

FIG. 2 is a top plan view of the non-return device valve support member shown in FIG. 1.

FIG. 3 is a bottom plan view of the non-return device valve support member shown in FIG. 1.

FIG. 4 is a right side view of the on-return device valve support member shown in FIG. 1.

FIG. 5 is a left side view of the non-return device valve support member shown in FIG. 1.

FIG. 6 is a front elevational view of the non-return device valve support member shown in FIG. 1; and,

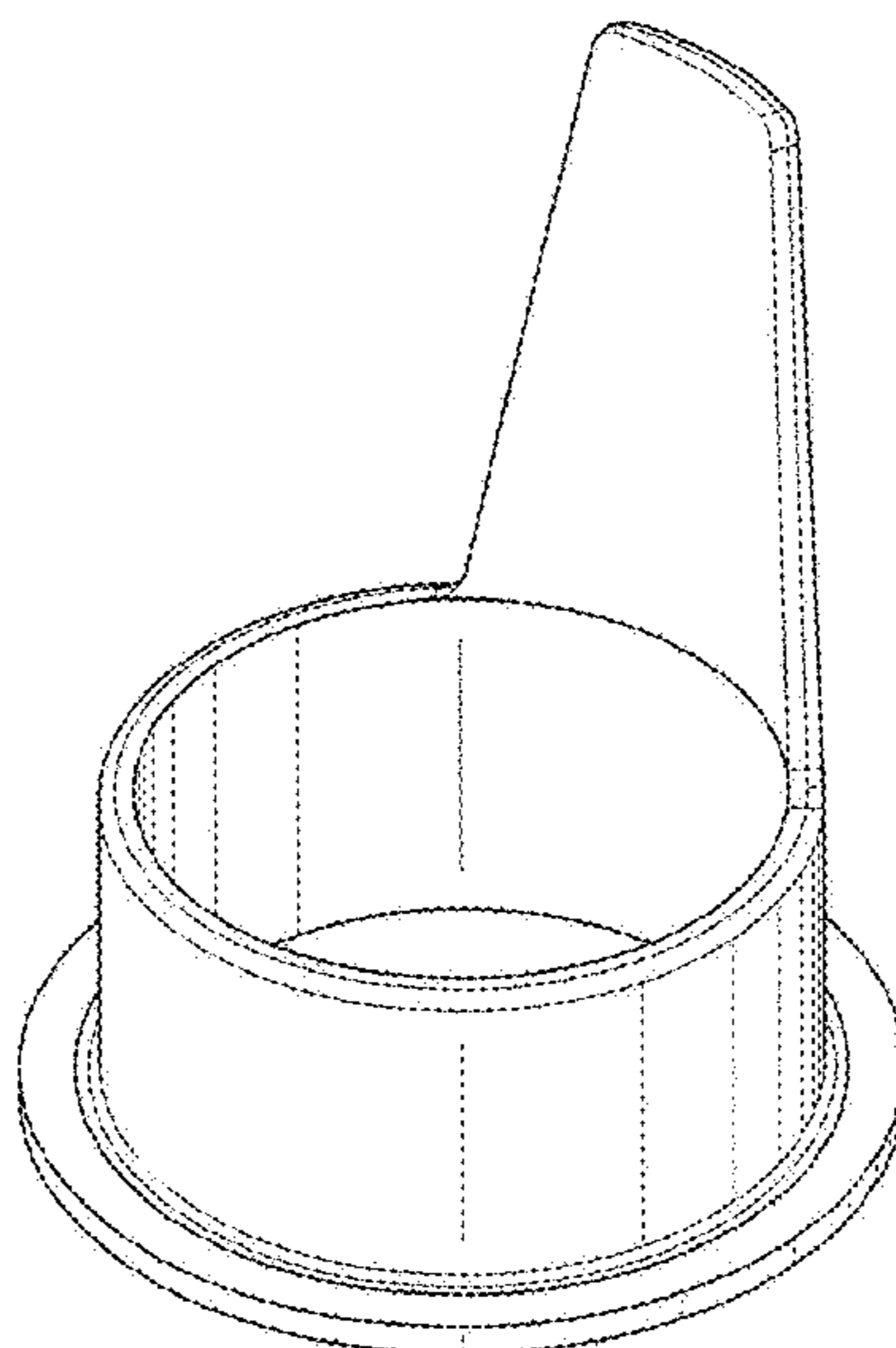
FIG. 7 is a rear elevational view of the non-return device valve support member shown in FIG. 1.

(56) **References Cited**

U.S. PATENT DOCUMENTS

15,192 A 6/1856 Peale
171,817 A 1/1876 Kahl
181,535 A 8/1876 Painter
187,411 A 2/1877 Painter
194,329 A 8/1877 Buhner
197,993 A 12/1877 Buhner
2,283,835 A 5/1942 Weaver
2,805,846 A 9/1957 Dewan
2,926,692 A 3/1960 Zillman et al.
3,387,624 A * 6/1968 Soucy B65D 47/2037
137/847
3,789,871 A 2/1974 Tupper

1 Claim, 4 Drawing Sheets



(56)

References Cited

U.S. PATENT DOCUMENTS

4,711,473 A 12/1987 Glover
 4,870,992 A 10/1989 Irwin et al.
 D354,801 S 1/1995 Grant et al.
 5,727,593 A 3/1998 Duer
 5,769,125 A 6/1998 Duer et al.
 5,881,772 A 3/1999 Bennett
 6,719,004 B2 4/2004 Huber et al.
 7,243,681 B2* 7/2007 Dahm E03C 1/298
 137/843
 7,390,316 B2 6/2008 McFarlane
 7,509,978 B1 3/2009 Currid
 D649,625 S * 11/2011 DeWitt D23/269
 8,141,587 B2 3/2012 Doig
 8,276,616 B2 10/2012 Wright et al.
 8,561,851 B1 10/2013 Leonoff
 D748,228 S * 1/2016 Bayyouk D23/269
 D777,300 S 1/2017 Grant et al.
 9,567,737 B2 2/2017 McAlpine et al.
 D787,029 S * 5/2017 Bayyouk D23/269
 D856,498 S * 8/2019 Bayyouk D23/269

FOREIGN PATENT DOCUMENTS

EP 1174549 A2 1/2002
 EP 0941433 B1 9/2002

EP 1577450 A1 9/2005
 FR 926765 10/1947
 GB 1066508 4/1967
 GB 1600743 10/1981
 GB 2153048 A 8/1985
 GB 2190466 A 11/1987
 GB 2296309 A 6/1996
 GB 2320310 A 6/1996
 GB 2061474 12/1996
 GB 2352496 A 1/2001
 GB 2352497 A 1/2001
 GB 2449964 A 11/2008
 GB 2487957 A 8/2012
 WO WO-2012161634 A1 11/2012
 WO WO-2015171071 A1 11/2015
 WO WO-2017003159 A1 1/2017

OTHER PUBLICATIONS

Seaflo, Make Water Work For You, PVC Waste Valve, website, Apr. 19, 2019, www.seaflo.com/en-us/product/detail/3230.html, 3 pages.

* cited by examiner

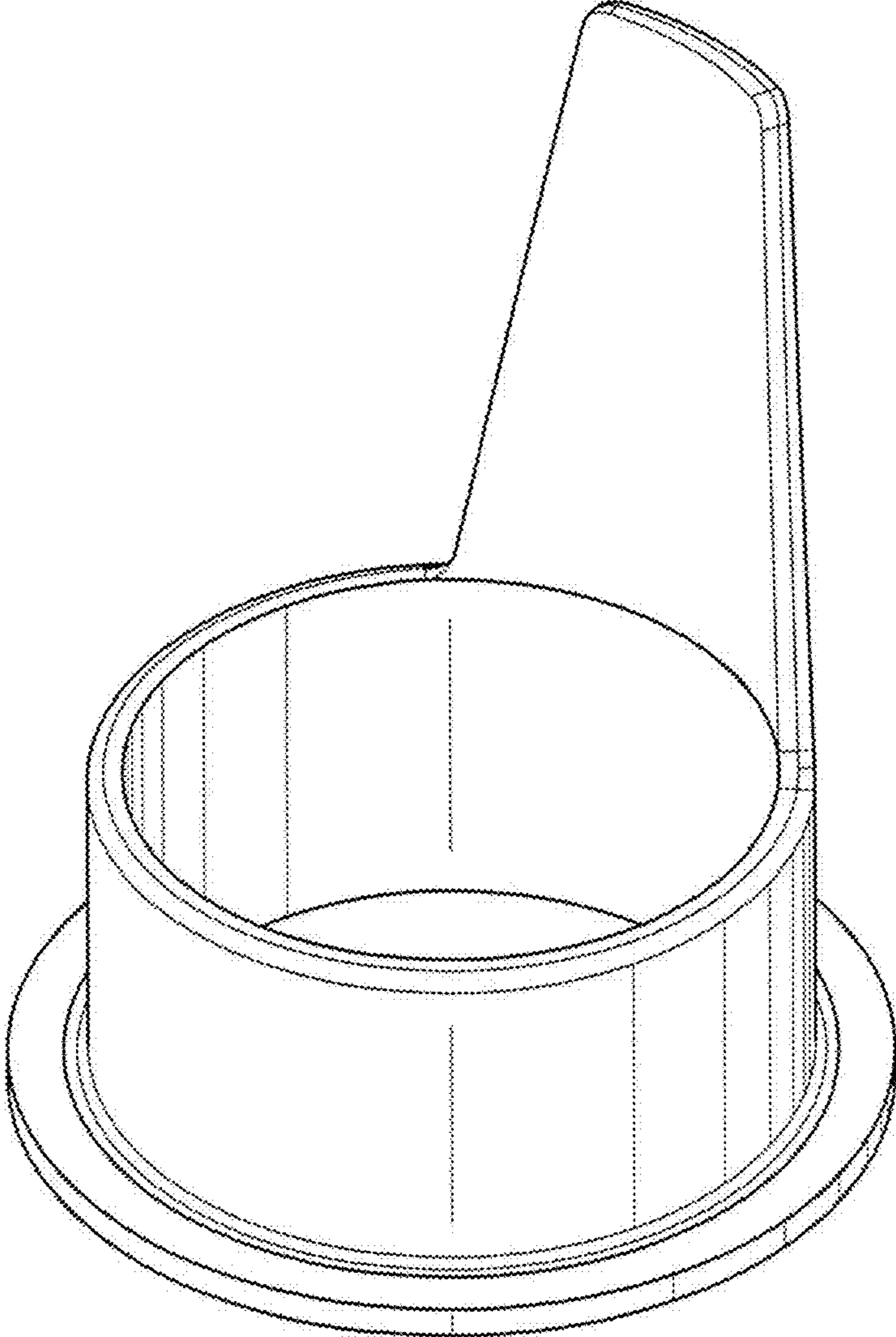


FIG. 1

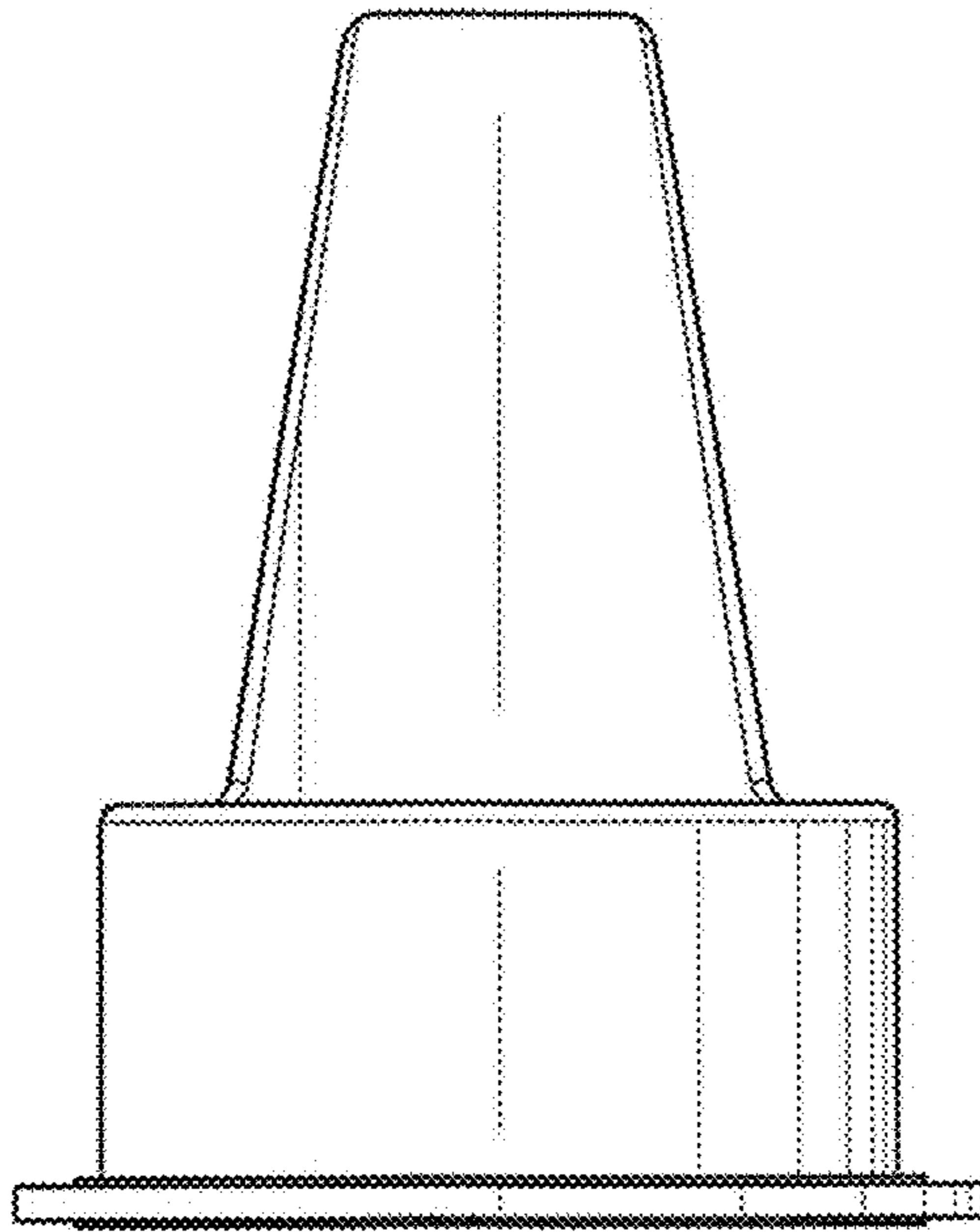


FIG. 2

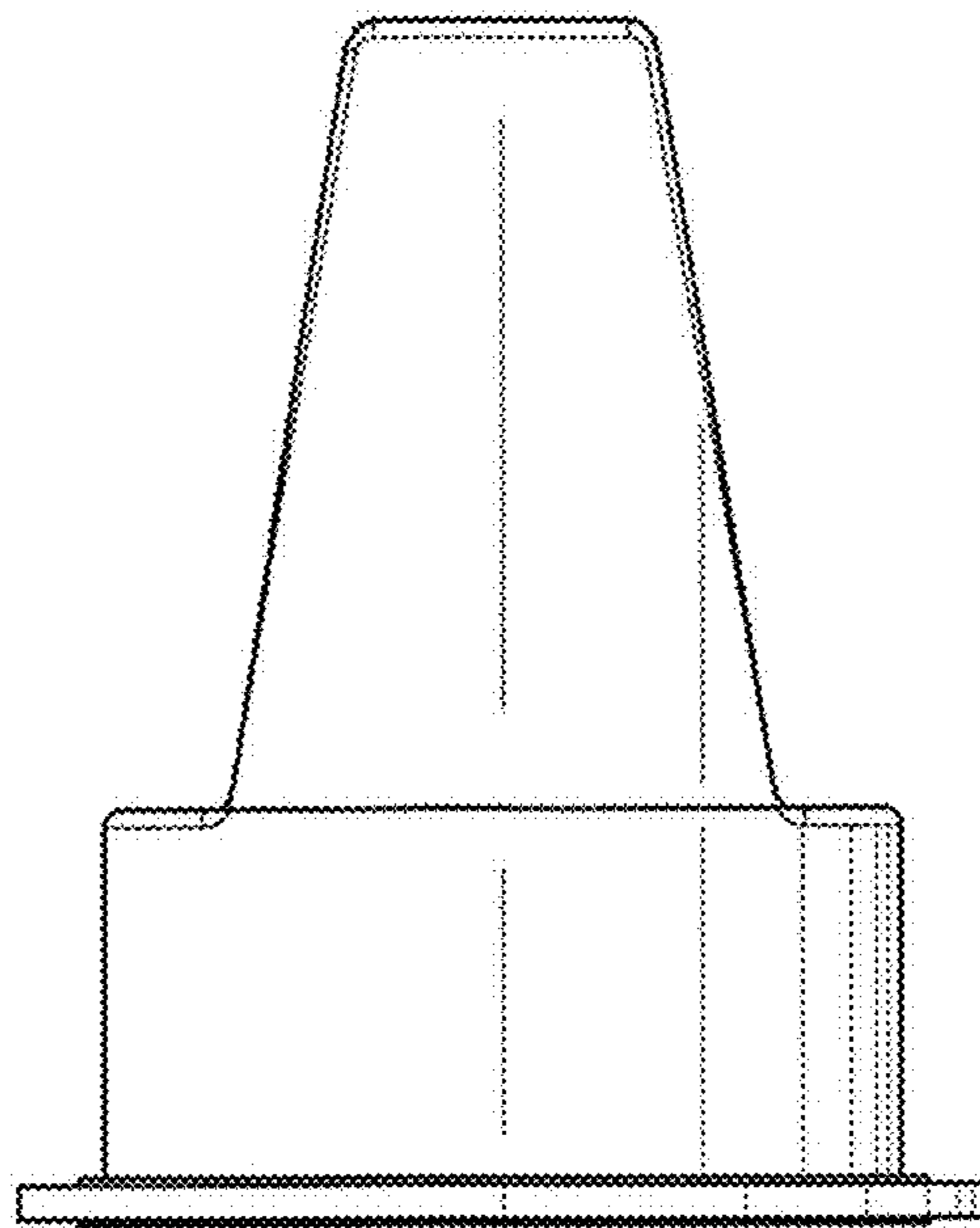


FIG. 3

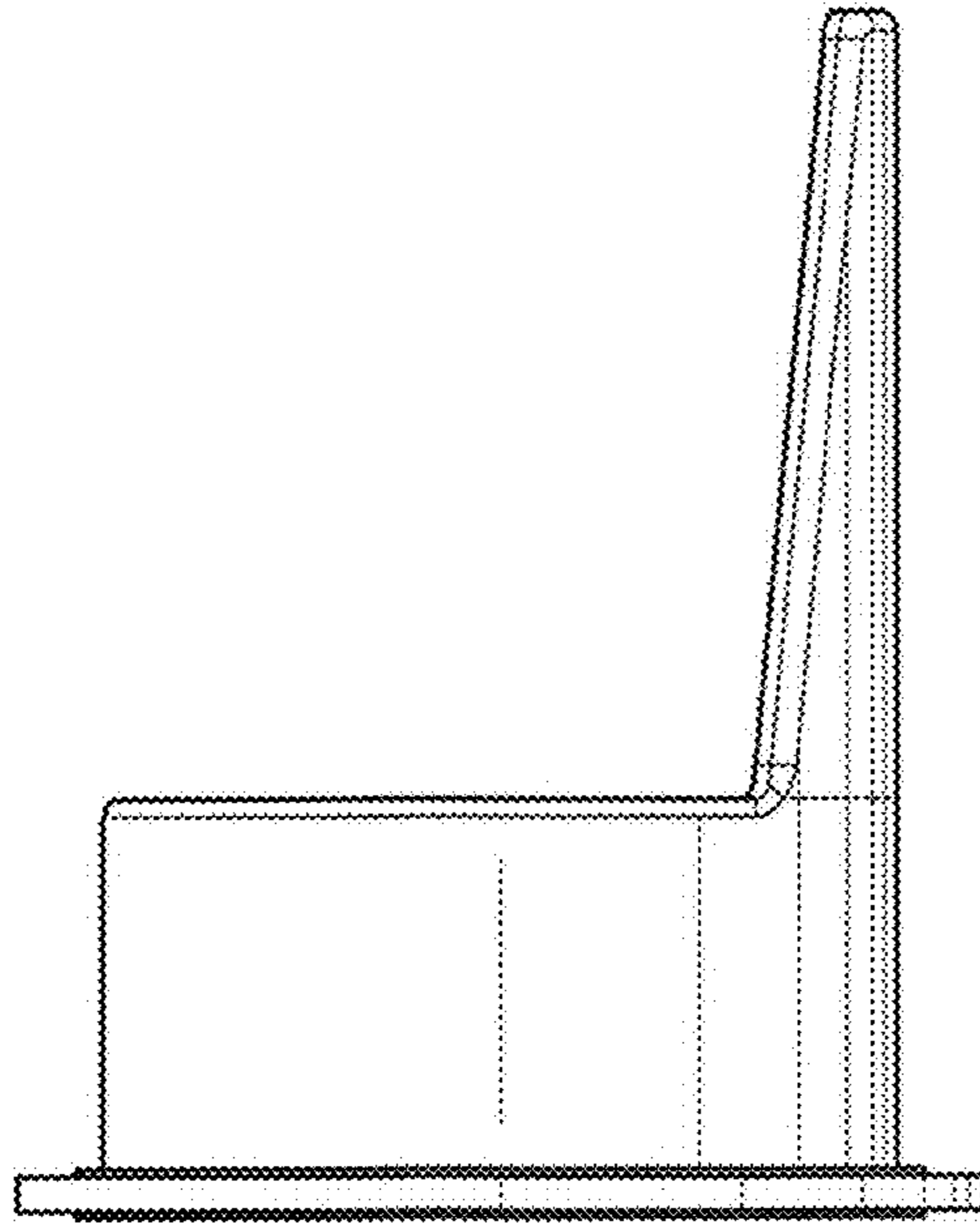


FIG. 4

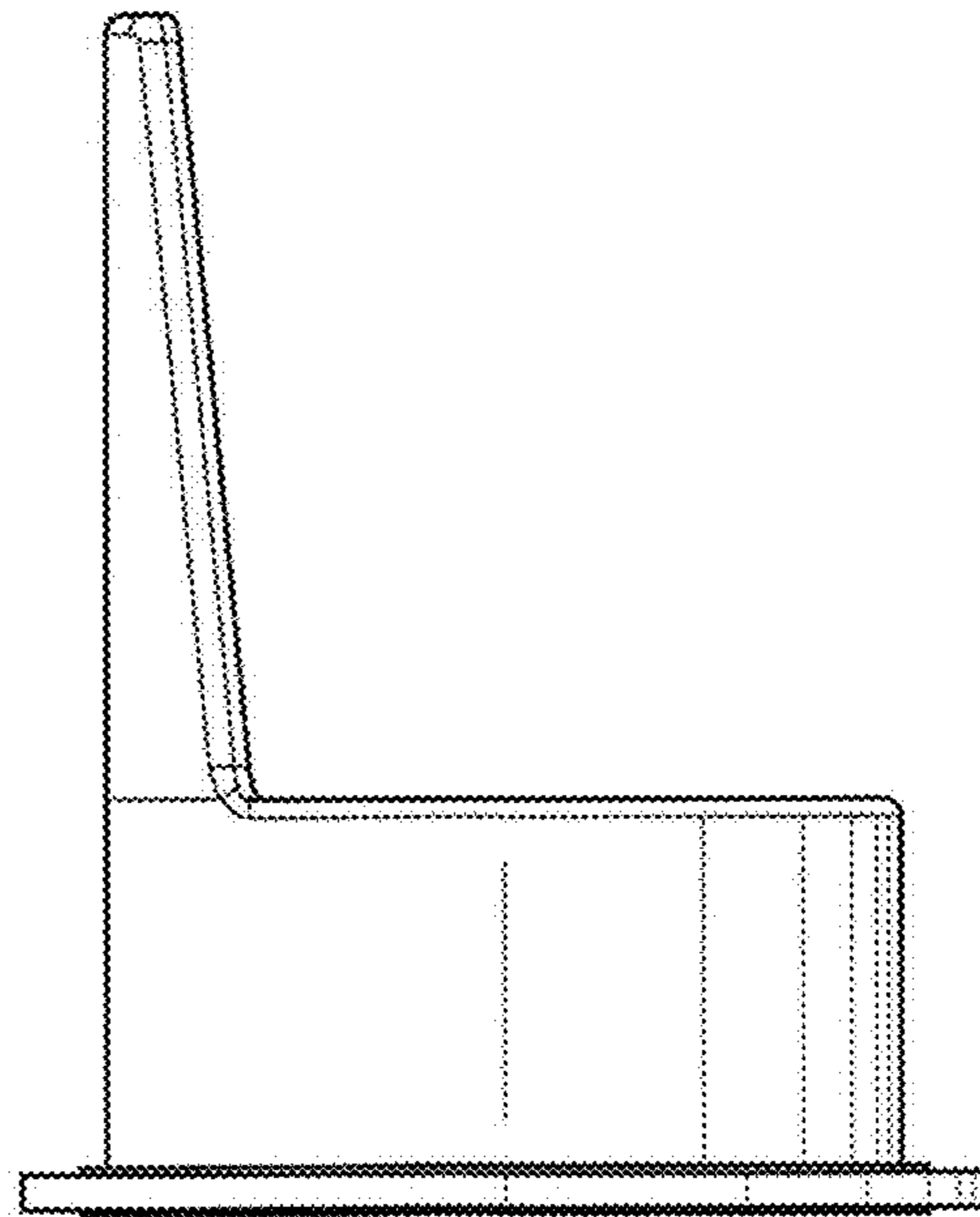


FIG. 5

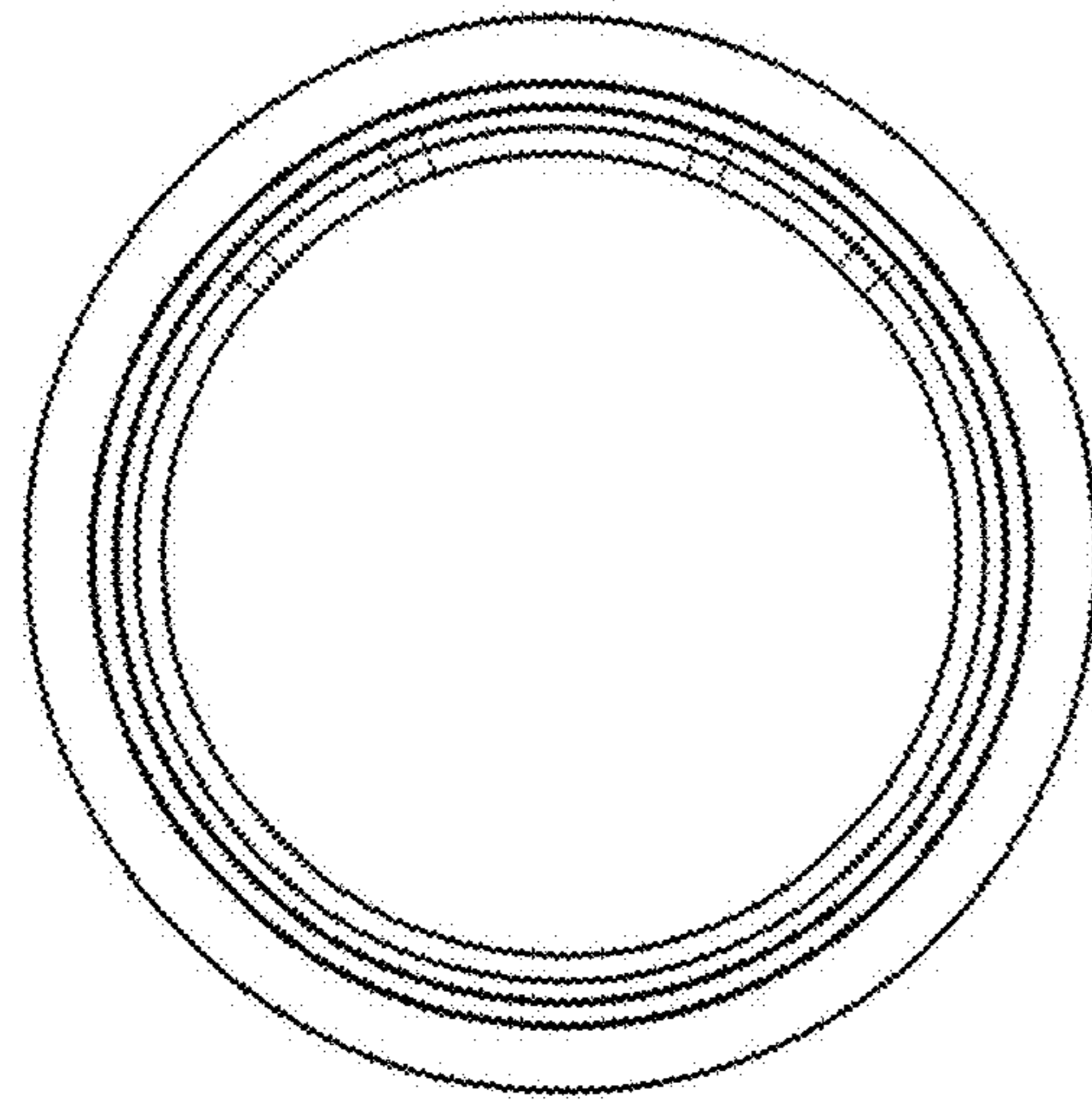


FIG. 6

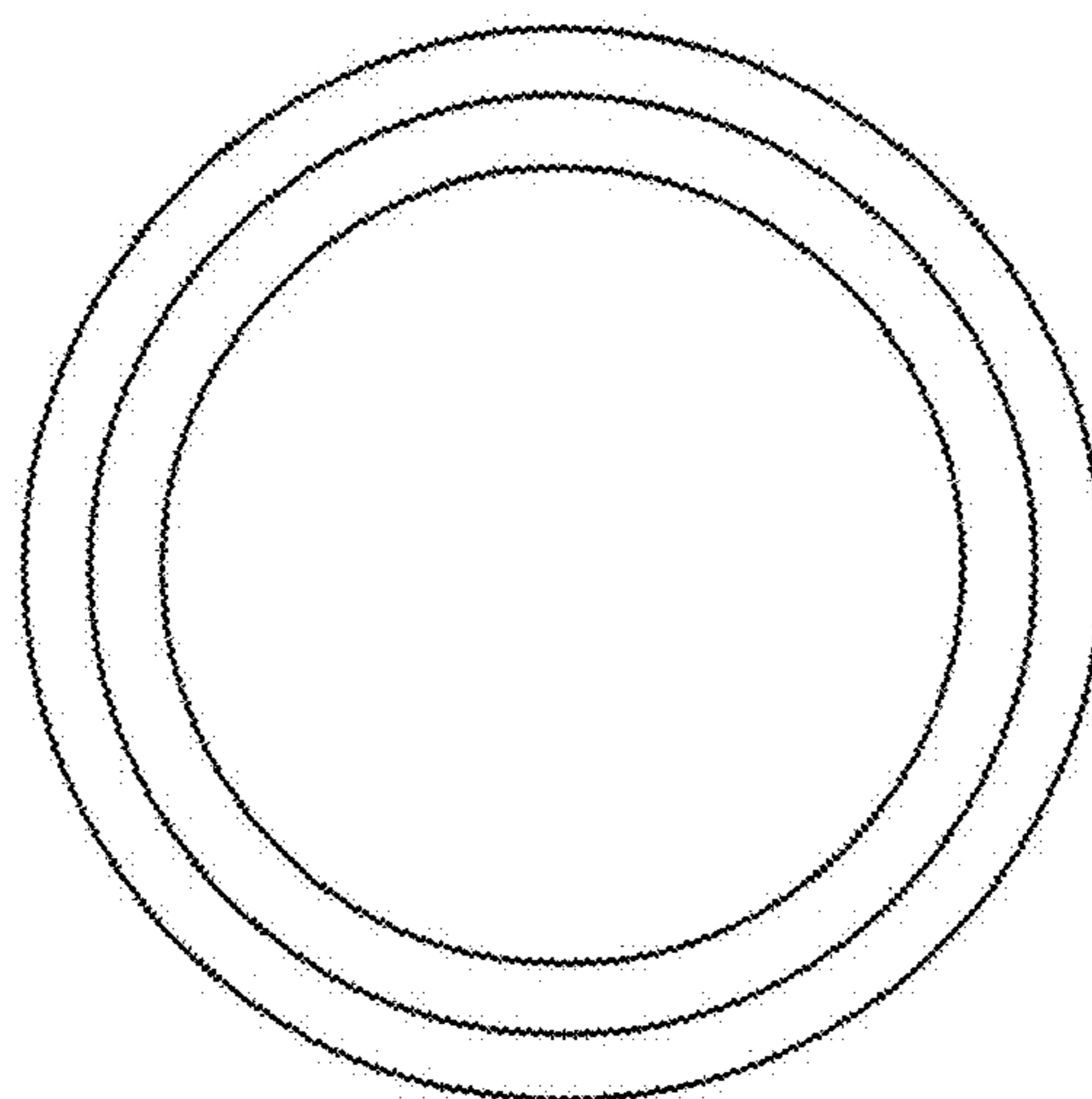


FIG. 7