



US00D917025S

(12) **United States Design Patent** (10) **Patent No.:** **US D917,025 S**
Brown et al. (45) **Date of Patent:** **** Apr. 20, 2021**

(54) GASKET	4,690,438 A	9/1987	Kanczarek	
	4,750,370 A *	6/1988	Ossyra	G01F 1/42 73/861.61
(71) Applicant: Garlock Pipeline Technologies, Inc., Wheat Ridge, CO (US)	5,316,320 A	5/1994	Breaker	
	5,461,904 A	10/1995	Baker	
	5,564,715 A	10/1996	Wallace	
(72) Inventors: Ian Brown, Wheat Ridge, CO (US); Christopher Remley, Wheat Ridge, CO (US); Aaron Alfano, Wheat Ridge, CO (US)	5,938,246 A *	8/1999	Wallace	F16L 23/18 277/314
	6,019,621 A	2/2000	Sugata et al.	
	6,173,969 B1	1/2001	Stoll et al.	
	6,402,159 B1 *	6/2002	Kohn	F16L 23/16 277/608
(73) Assignee: Garlock Pipeline Technologies, Inc., Wheat Ridge, CO (US)	6,547,255 B1	4/2003	Donaway et al.	
	7,121,557 B2	10/2006	Christie et al.	
	7,350,833 B2	4/2008	Bongiorno et al.	
(**) Term: 15 Years	7,513,925 B2	4/2009	Thomas et al.	

(Continued)

(21) Appl. No.: **29/683,066**

(22) Filed: **Mar. 11, 2019**

Related U.S. Application Data

(62) Division of application No. 29/640,610, filed on Mar. 15, 2018, now Pat. No. Des. 886,253.

(51) **LOC (13) Cl.** **23-01**

(52) **U.S. Cl.**
USPC **D23/269**

(58) **Field of Classification Search**
USPC D23/259, 262, 269; 277/312-316,
277/357-358, 612, 616, 626
CPC F16L 17/025; F16L 47/08
See application file for complete search history.

(56) **References Cited**

U.S. PATENT DOCUMENTS

914,422 A *	3/1909	Jones	F16J 15/104 277/651
2,252,337 A *	8/1941	Worthen	G01F 1/42 219/551
3,720,420 A	3/1973	Jelinek et al.	
3,871,668 A	3/1975	Coker et al.	
4,019,371 A	4/1977	Chaplin et al.	

OTHER PUBLICATIONS

Evolution Isolation Gasket Form GPT, YouTube Video Frame 1:26/3:18; Published Oct. 24, 2019; Visited Online Dec. 15, 2020; <https://www.youtube.com/watch?v=mLmiCpnGcel> (Year: 2019).*

(Continued)

Primary Examiner — Amy C Wierenga

(74) *Attorney, Agent, or Firm* — Perkins Coie LLP

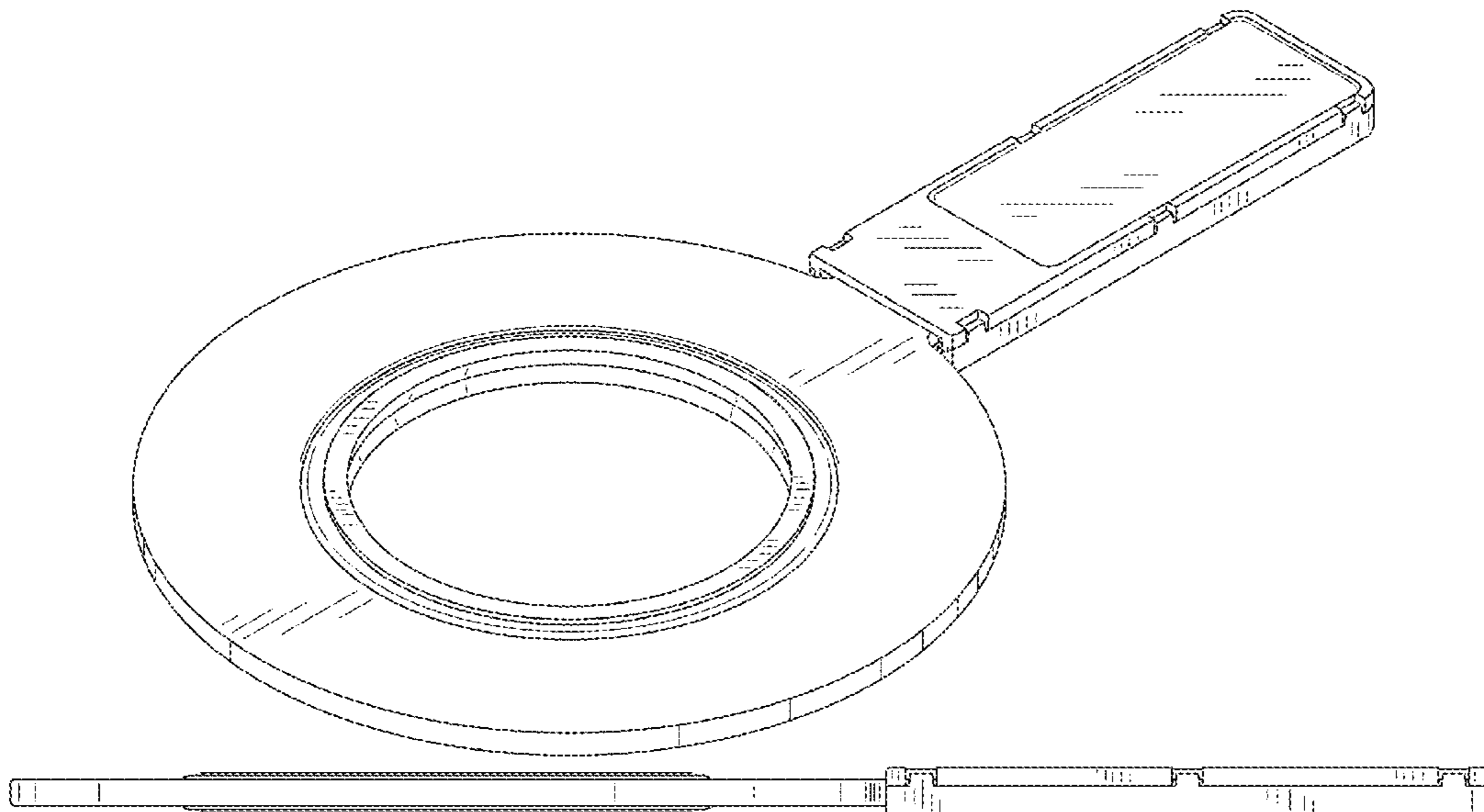
(57) **CLAIM**

The ornamental design for a gasket, as shown and described.

DESCRIPTION

FIG. 1 is a perspective view of a gasket of the present application;
FIG. 2 is a top elevation view thereof;
FIG. 3 is a bottom elevation view thereof;
FIG. 4 is a right elevation view thereof;
FIG. 5 is a left elevation view thereof;
FIG. 6 is a front elevation view thereof; and,
FIG. 7 is a back elevation view thereof.

1 Claim, 5 Drawing Sheets



(56)

References Cited

U.S. PATENT DOCUMENTS

7,976,074 B2 7/2011 Anderson et al.
 D644,720 S 9/2011 Bond et al.
 D644,721 S 9/2011 Bond et al.
 D644,722 S 9/2011 Bond et al.
 8,181,970 B2 5/2012 Smith
 8,601,668 B2 12/2013 Vidrine et al.
 8,678,398 B2* 3/2014 Anderson F16L 25/026
 277/608
 9,062,510 B1* 6/2015 Cassel F16K 37/0008
 D734,436 S 7/2015 Raether
 D753,736 S 4/2016 Shinozaki
 D755,941 S 5/2016 Smith
 D761,398 S 7/2016 Murphy
 9,482,589 B2* 11/2016 Ghodrati G01M 3/04
 10,001,235 B2 6/2018 Bander et al.
 10,117,366 B2 10/2018 Dilmaghanian et al.
 10,753,521 B1* 8/2020 Daigle F16L 25/026
 2006/0220324 A1 10/2006 Anderson et al.
 2008/0111313 A1 5/2008 Putch et al.
 2008/0290605 A1 11/2008 Brockmeier et al.

2009/0243290 A1* 10/2009 Anderson F16L 23/18
 285/343
 2011/0167607 A1 7/2011 Vidrine et al.
 2011/0266755 A1 11/2011 Anderson et al.
 2013/0189037 A1 7/2013 Field
 2013/0328270 A1 12/2013 Stubblefield et al.
 2016/0138718 A1 5/2016 Lee et al.
 2017/0009918 A1 1/2017 Koves
 2017/0074437 A1 3/2017 Briggs

OTHER PUBLICATIONS

Oil Review Africa; Garlock Pipeline Technologies Launches Evolution, a fully-coated isolation gasket; Published Apr. 17, 2018; Visited ONline Dec. 15, 2020; <https://www.oilreviewafrica.com/technical-focus/technical-focus/garlock-pipeline-technologies-launches-evolution-a-fully-coated-isolation-gasket> (Year: 2018).*
 Evolution—The Future of Isolation GPT Brochure; Published Apr. 12, 2018; Visited Online Dec. 15, 2020; <https://www.pipetechcorp.com/wp-content/uploads/2018/05/evolution-isolation-gasket-brochure.pdf> (Year: 2018).*

* cited by examiner

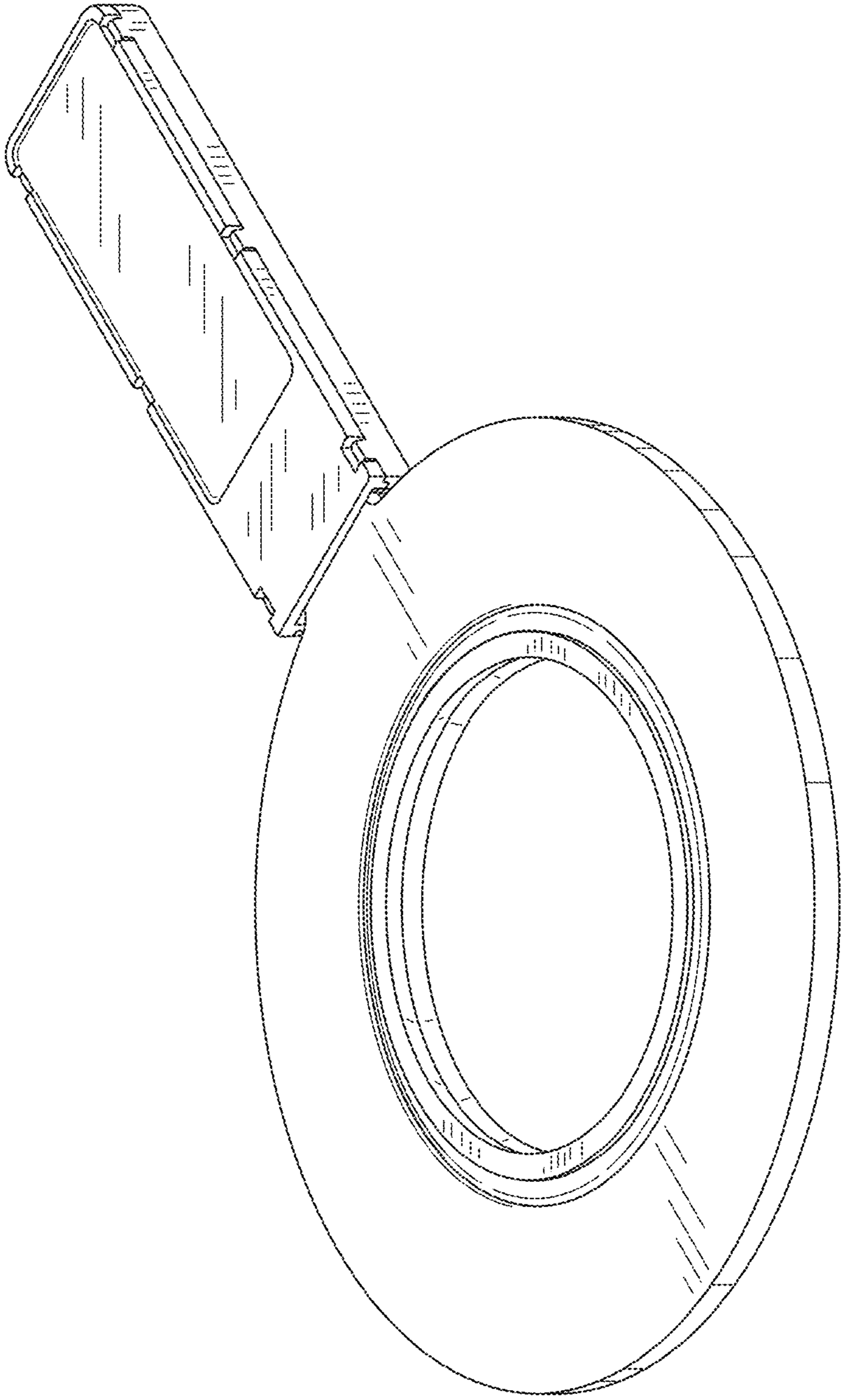


FIG. 1

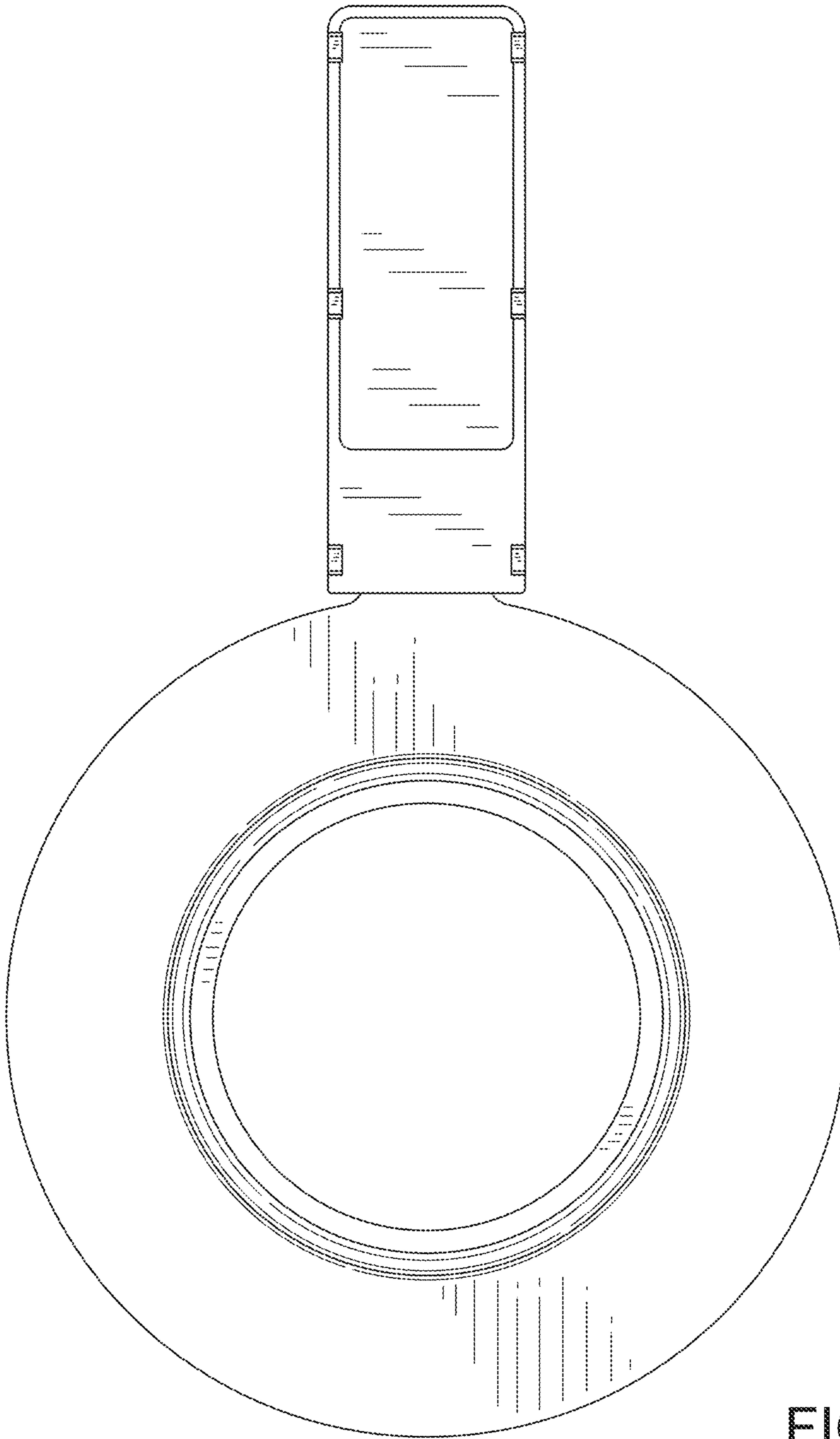


FIG. 2

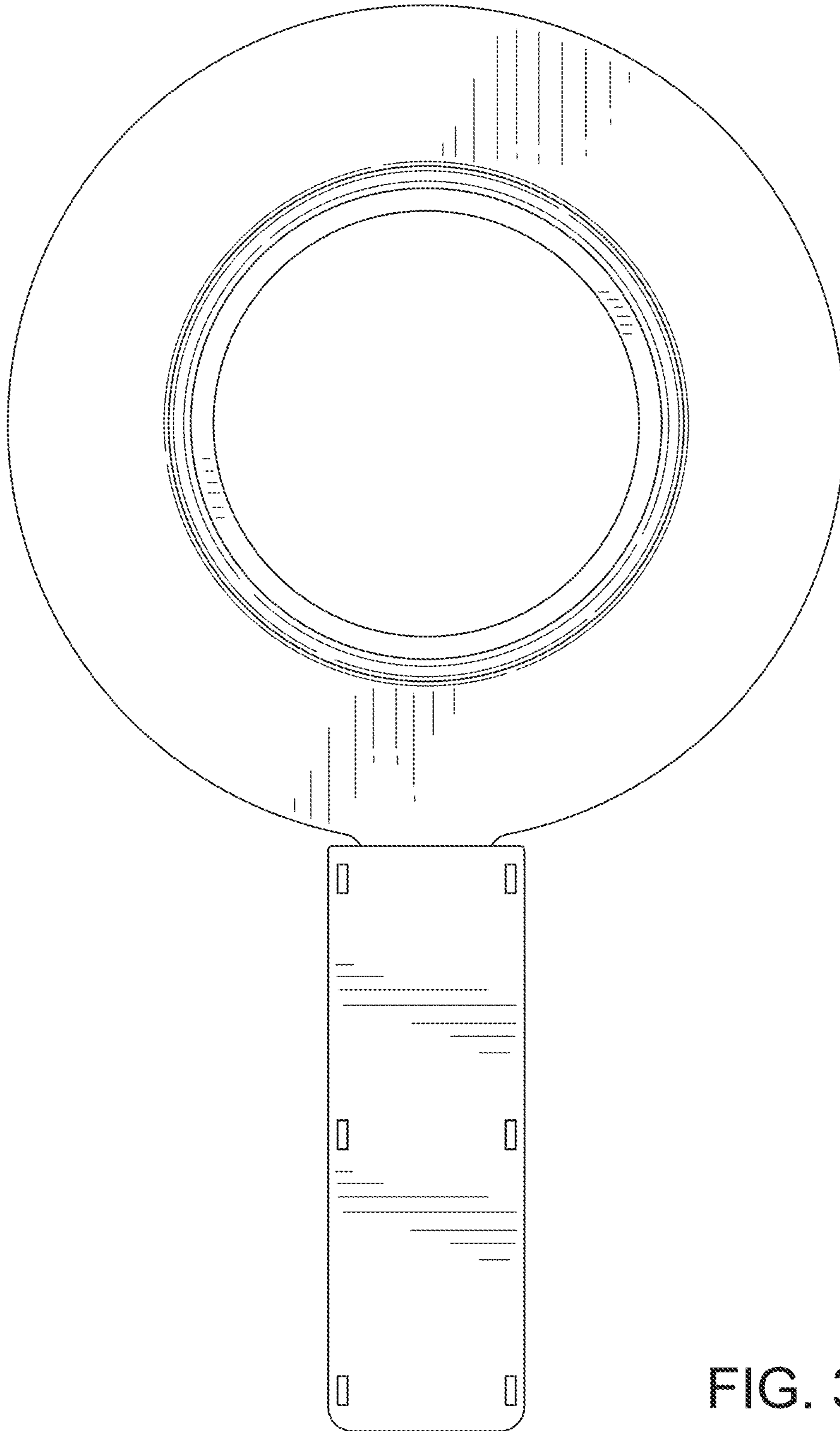


FIG. 3

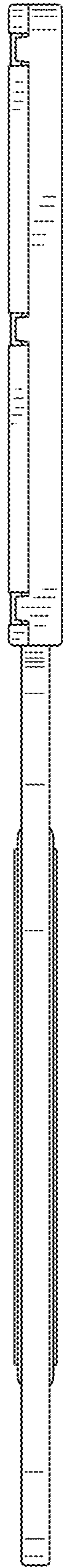


FIG. 4

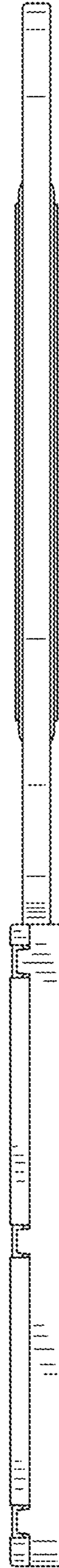


FIG. 5



FIG. 6

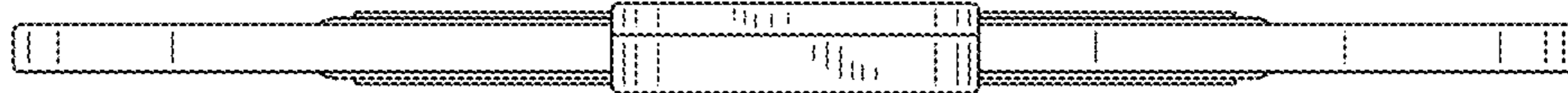


FIG. 7