



US00D917022S

(12) **United States Design Patent**
Freeman

(10) **Patent No.:** **US D917,022 S**
(45) **Date of Patent:** **** Apr. 20, 2021**

- (54) **SKIMMER BOX LID**
- (71) Applicant: **Skimmer Lids Pty Ltd**, Biggera Waters (AU)
- (72) Inventor: **William Geoffrey Freeman**, Southport (AU)
- (73) Assignee: **Skimmer Lids Pty Ltd**, Biggera Waters (AU)
- (**) Term: **15 Years**

- 5,750,022 A * 5/1998 Blake E04H 4/1636
210/167.12
 - D441,855 S 5/2001 Fine
 - 6,895,770 B1 * 5/2005 Kaminski F24F 13/222
62/150
 - 7,309,443 B2 * 12/2007 Kelty C02F 1/325
210/167.1
 - D560,763 S 1/2008 McKinnon et al.
 - 7,390,401 B2 * 6/2008 Hodak E04H 4/1272
210/167.1
 - D609,782 S * 2/2010 Whatley D23/249
- (Continued)

(21) Appl. No.: **29/750,917**

(22) Filed: **Sep. 17, 2020**

Related U.S. Application Data

(62) Division of application No. 29/663,823, filed on Sep. 19, 2018.

(30) **Foreign Application Priority Data**

Jun. 26, 2018 (AU) 201813786
 Jun. 26, 2018 (AU) 201813789

(51) **LOC (13) Cl.** **23-01**

(52) **U.S. Cl.**
USPC **D23/261**; D23/206

(58) **Field of Classification Search**
 USPC D23/259–261, 206–209, 322; 4/293–294,
 4/496, 499, 501, 507–508, 510–512;
 210/167.1, 167.11–167.16,
 210/167.18–167.19; 137/296, 312–313;
 D32/15, 25
 CPC B28B 7/18
 See application file for complete search history.

(56) **References Cited**

U.S. PATENT DOCUMENTS

D295,313 S 4/1988 Barnett
 D388,566 S 12/1997 Reid et al.

OTHER PUBLICATIONS

Skimmer Hide Kit Content; SkimmerCovers.com Website Copyright 2020; Visited Online Dec. 17, 2020; <https://skimmerlids.com.au/hide-range/skimmer-lid-concrete/> (Year: 2020).*

(Continued)

Primary Examiner — Amy C Wierenga

(74) *Attorney, Agent, or Firm* — Whitmyer IP Group LLC

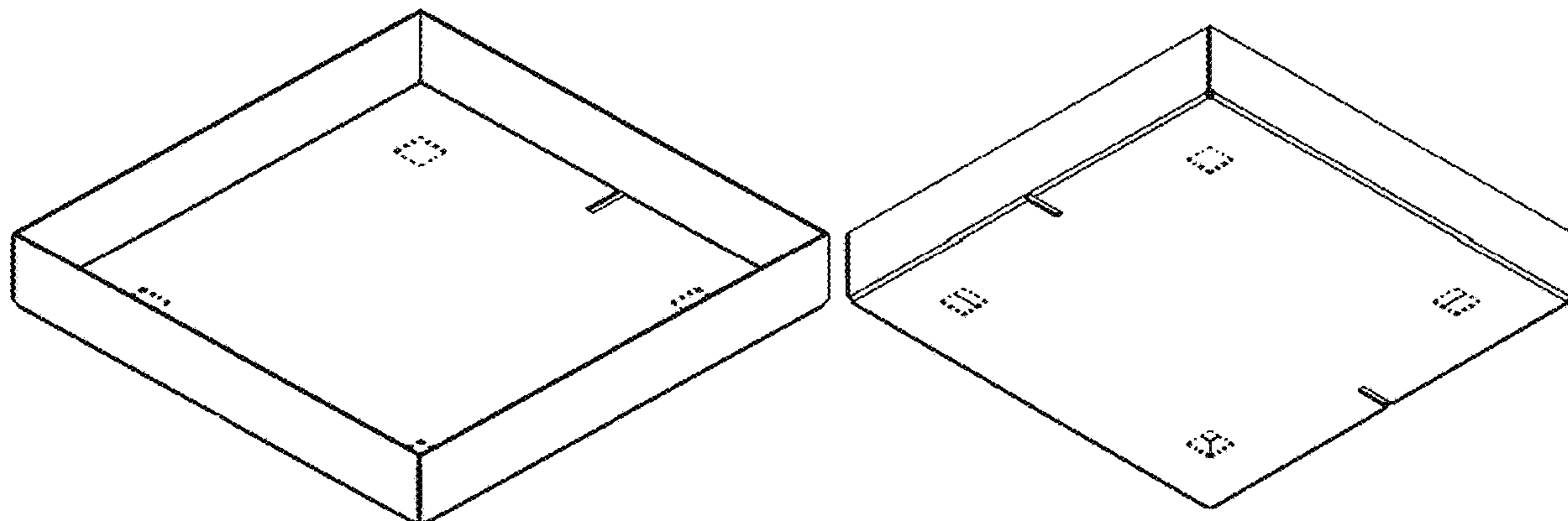
(57) **CLAIM**

The ornamental design for a skimmer box lid, as shown and described.

DESCRIPTION

FIG. 1 is a top isometric view of a skimmer box lid in accordance with the new design;
 FIG. 2 is a bottom isometric view thereof;
 FIG. 3 is a front side elevational view thereof;
 FIG. 4 is a rear side elevational view thereof;
 FIG. 5 is a left side elevational view thereof;
 FIG. 6 is a right side elevational view thereof;
 FIG. 7 is a top plan view thereof; and,
 FIG. 8 is a bottom plan view thereof.
 The broken lines depict portions of the skimmer box lid that form no part of the claim.

1 Claim, 8 Drawing Sheets



(56)

References Cited

U.S. PATENT DOCUMENTS

7,815,795 B2 10/2010 Parks et al.
 8,136,176 B2* 3/2012 Shebek E04H 4/1272
 4/490
 8,376,178 B2* 2/2013 Steinberg D06F 9/081
 220/571
 D776,244 S * 1/2017 Krombein D23/259
 D808,503 S 1/2018 McAlpine
 D818,566 S 5/2018 Freeman
 D819,788 S 6/2018 Freeman
 D868,935 S 12/2019 Miskovich
 D872,838 S 1/2020 Callaghan
 D884,148 S 5/2020 Branham
 2005/0211614 A1* 9/2005 Boggs E04H 4/1272
 210/167.1
 2006/0124521 A1* 6/2006 Hodak E04H 4/1272
 210/167.12
 2007/0012607 A1 1/2007 Mullner
 2007/0119760 A1* 5/2007 Mullner, Jr. E04H 4/1272
 210/167.1
 2007/0181476 A1* 8/2007 Blake E04H 4/1254
 210/167.1

2008/0067117 A1 3/2008 Hodak
 2009/0120856 A1* 5/2009 Meagher A01K 29/00
 210/167.1
 2009/0139019 A1 6/2009 Shebek et al.
 2010/0084325 A1 4/2010 Parks et al.
 2010/0258206 A1 10/2010 Baker
 2012/0110728 A1 5/2012 Nelson
 2014/0209546 A1 7/2014 Smith
 2017/0120475 A1 5/2017 Freeman
 2017/0175410 A1 6/2017 Smith
 2017/0298683 A1 10/2017 Hodak
 2018/0245363 A1 8/2018 Pain

OTHER PUBLICATIONS

Pool Hidden Skimmer Box Lid; Nerangtiles.com website;<https://www.nerangtiles.com.au/pool-hidden-skimmer-box-lid.html> Visited Dec. 17, 2020;internet archive date of Mar. 9, 2019; https://web.archive.org/web/20190501000000*/https://www.nerangtiles.com.au/pool-hidden-skimmer-box-lid.html (Year: 2019).*

* cited by examiner

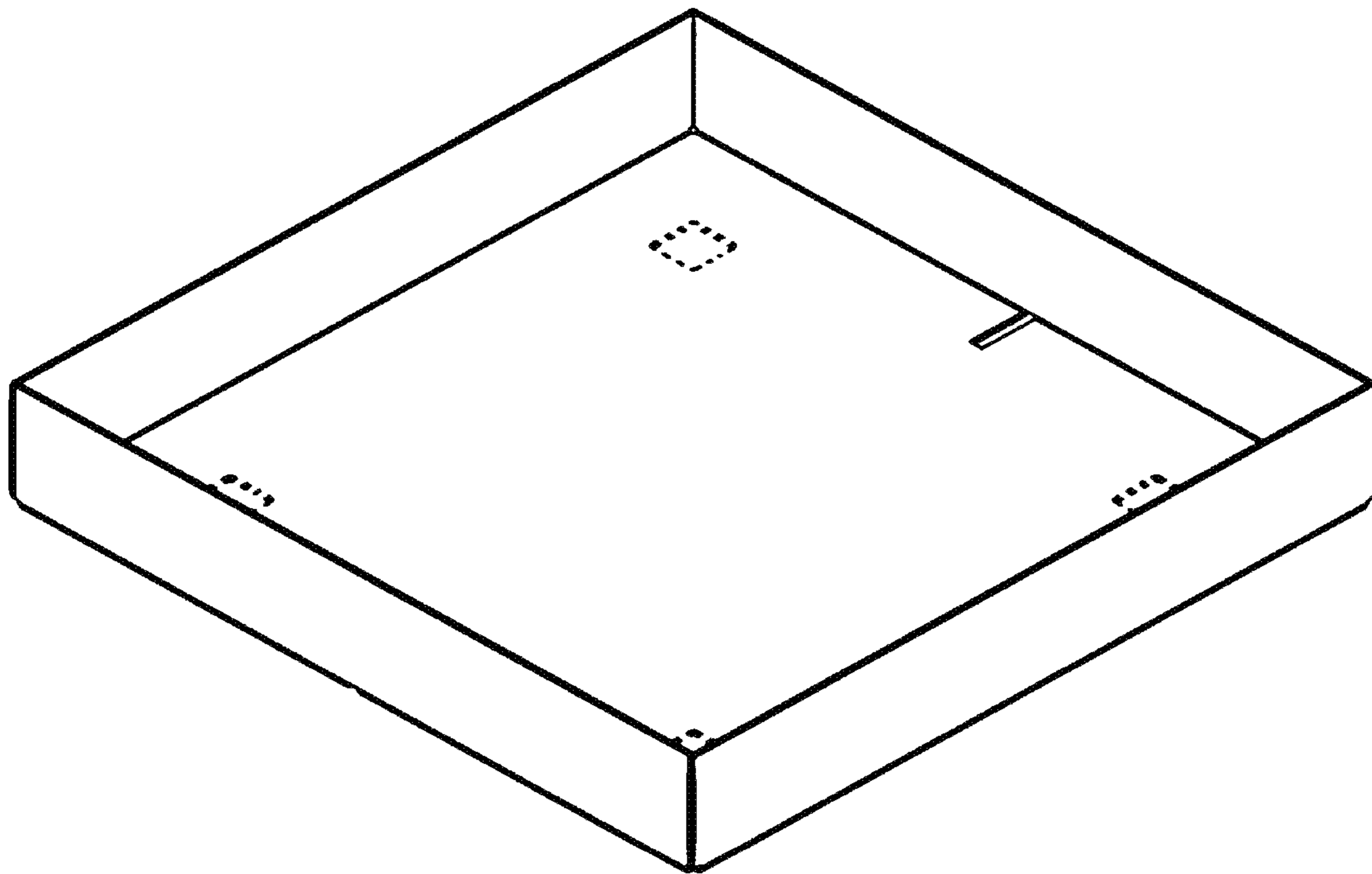


Fig. 1

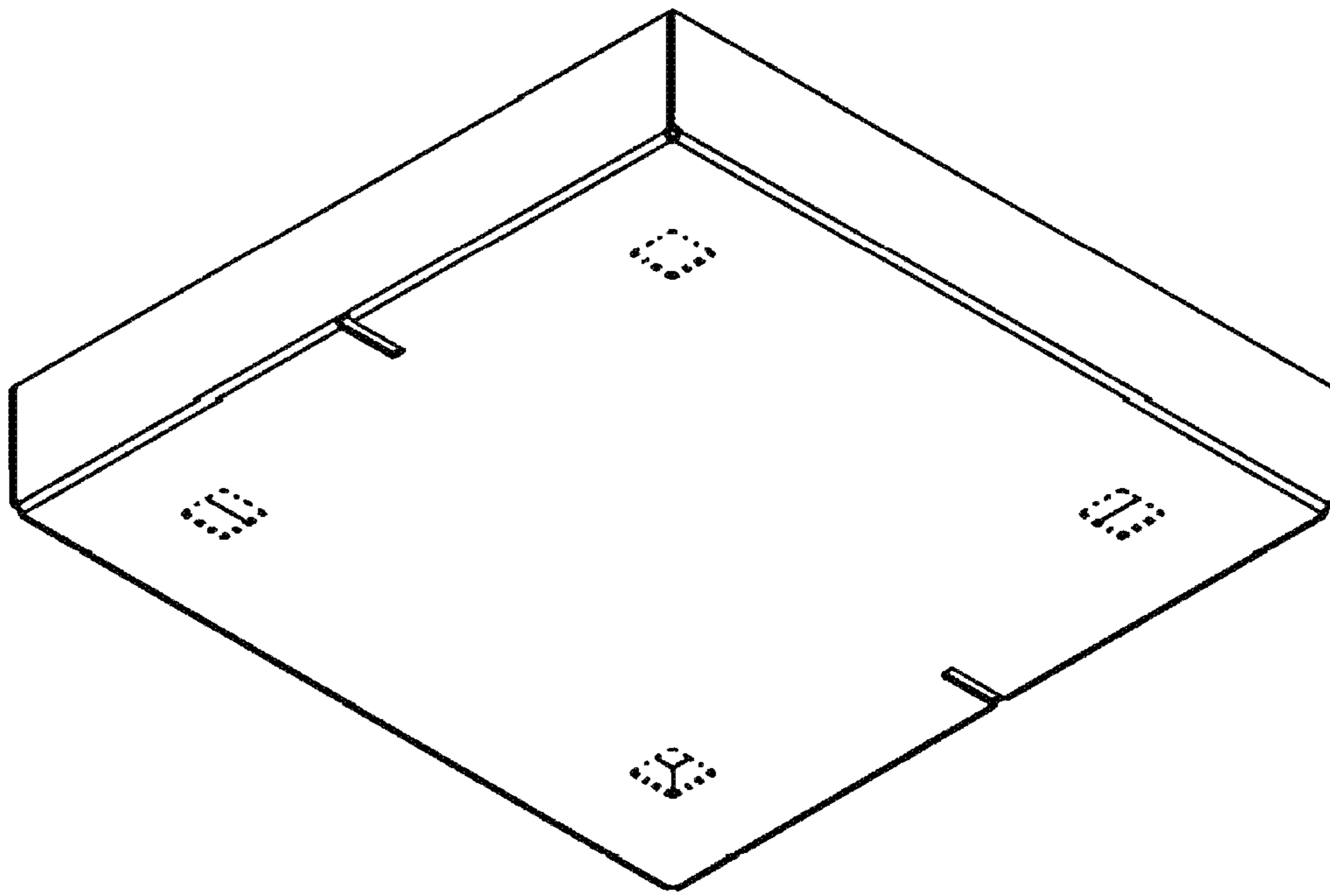


Fig. 2

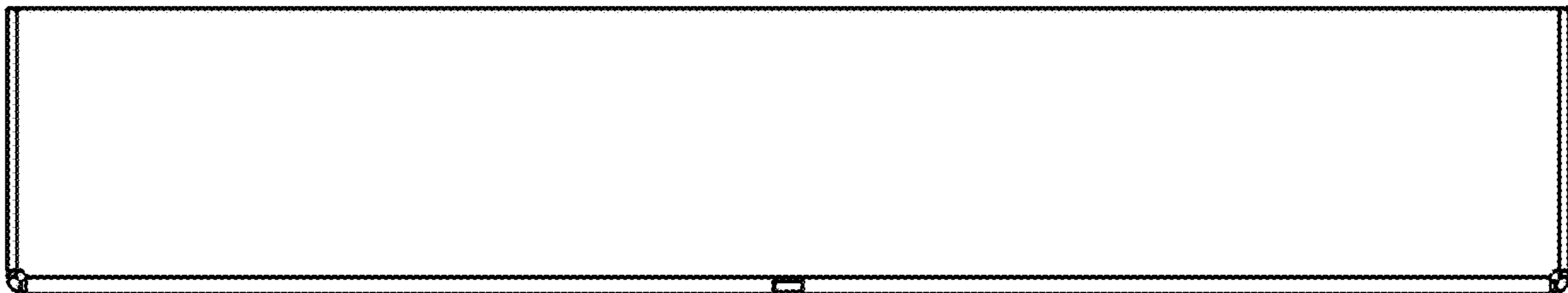


Fig. 3

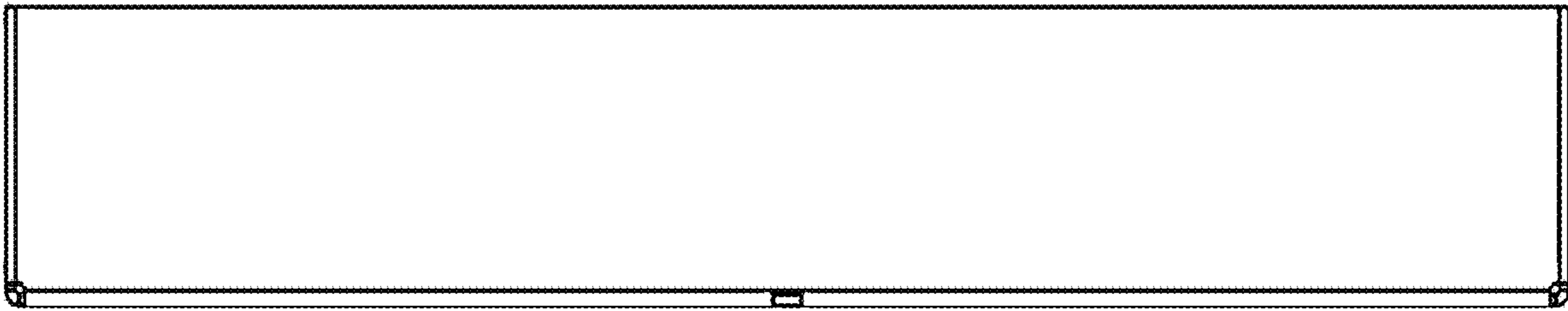


Fig. 4



FIG. 5



Fig. 6

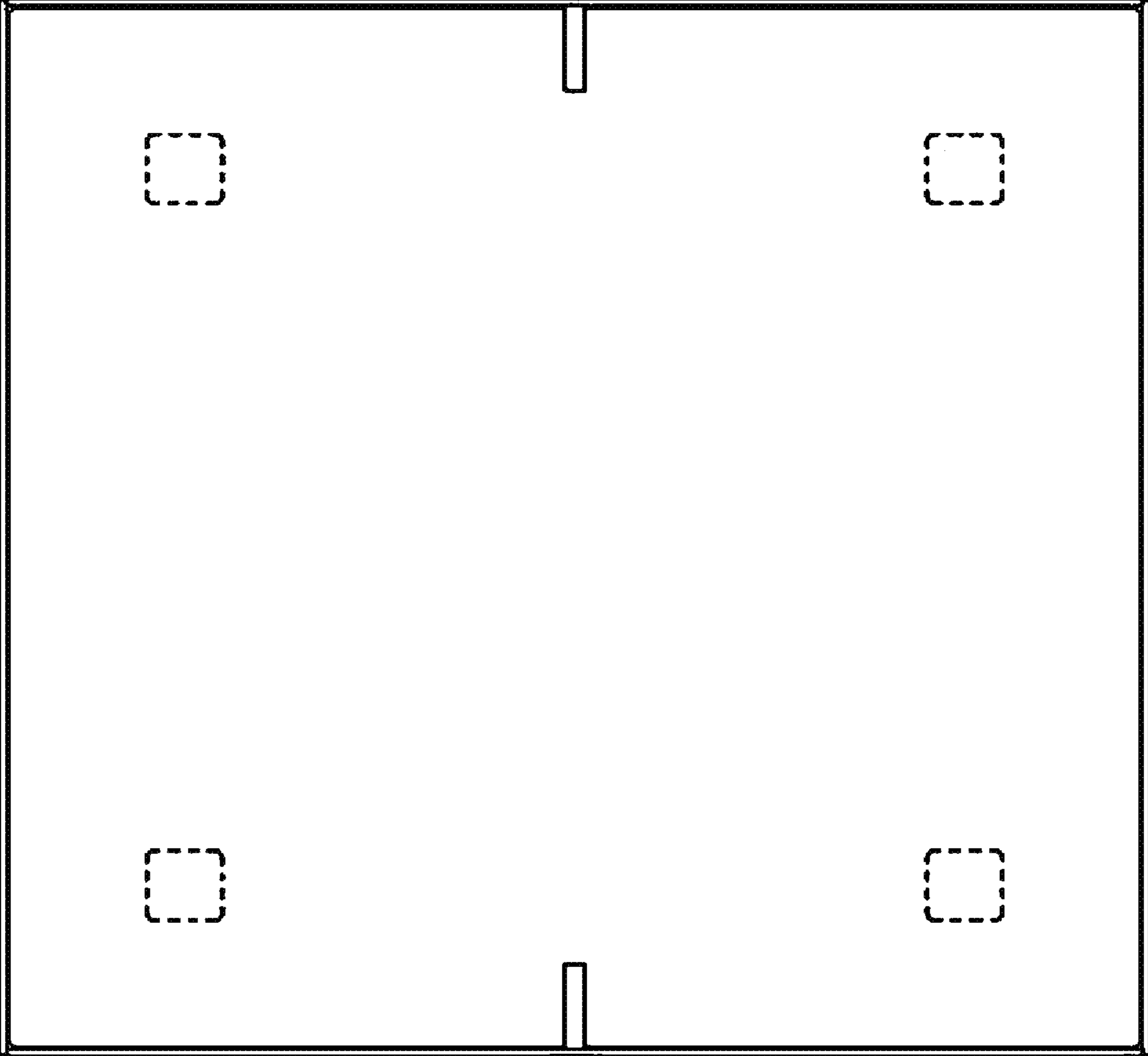


Fig. 7

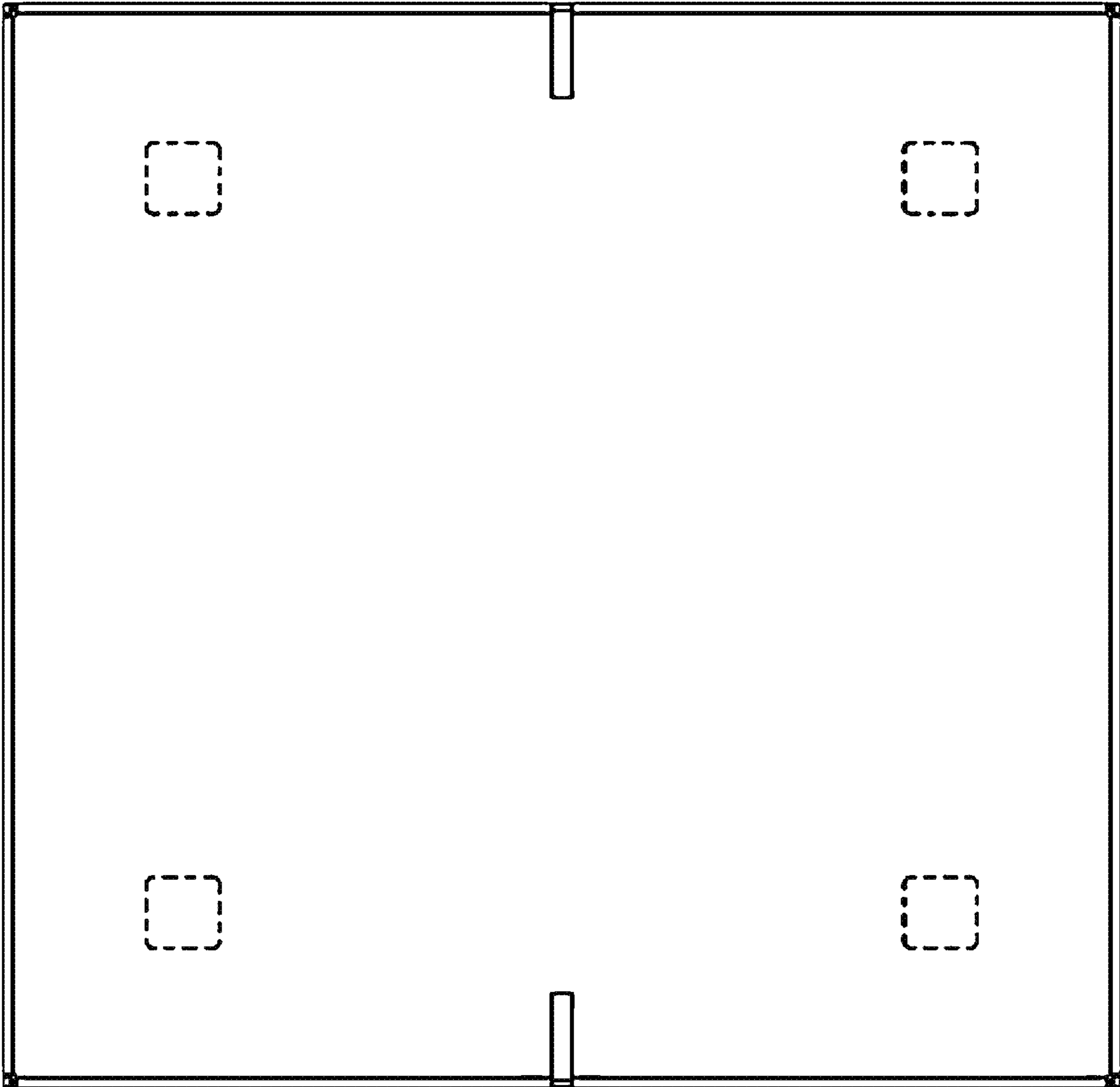


Fig. 8