



US00D917021S

(12) **United States Design Patent**
Jan et al.

(10) **Patent No.:** **US D917,021 S**
(45) **Date of Patent:** **** Apr. 20, 2021**

- (54) **SPRAYER FOR A FOOT SPA TUB**
- (71) Applicant: **Foresee Sciencetech Ltd.**, Xiushui Township, Changhua County (TW)
- (72) Inventors: **Danny Jan**, Xiushui Township (TW); **Cheng-Hsiung Chang**, Xiushui Township (TW)
- (73) Assignee: **Foresee Sciencetech Ltd.**, Xiushui Township (TW)
- (**) Term: **15 Years**
- (21) Appl. No.: **29/688,261**
- (22) Filed: **Apr. 19, 2019**
- (51) **LOC (13) Cl.** **23-01**
- (52) **U.S. Cl.**
USPC **D23/260**; D23/213
- (58) **Field of Classification Search**
USPC D23/254, 260, 261, 267–268, 397, 406; D9/454; D8/300–301, 330–331, 336, D8/338–340, 343, 350–353
CPC .. A47K 1/14; A47K 3/405; A47K 3/40; E05B 49/00; E05B 49/02; E05B 9/00; E05B 17/00; E05B 37/00; E05B 3/00; E05B 13/103; E05B 1/00; E05B 47/00; G05B 19/00; G05B 15/00; Y10T 70/8324; Y10T 70/8459; Y10T 70/8514; Y10T 70/8568
See application file for complete search history.

- D533,769 S * 12/2006 Xu D8/350
- D534,249 S * 12/2006 Gilbert D23/254
- D637,889 S * 5/2011 Krumpe D8/353
- D682,995 S * 5/2013 Feliciano D23/261
- D785,764 S * 5/2017 Eads D23/254
- D815,511 S * 4/2018 Groleski D8/350

* cited by examiner

Primary Examiner — Cathron C Brooks

Assistant Examiner — Keith J Wilson

(74) *Attorney, Agent, or Firm* — Alan D. Kamrath; Karin L. Williams; Mayer & Williams PC

(57) **CLAIM**

The ornamental design for a sprayer for a foot spa tub, as shown and described.

DESCRIPTION

FIG. 1 is a front side perspective view of a sprayer for a foot spa tub showing our new design;
 FIG. 2 is a rear side perspective view of the sprayer for a foot spa tub as shown in FIG. 1;
 FIG. 3 is a front elevational view of sprayer for a foot spa tub as shown in FIG. 1;
 FIG. 4 is a rear elevational view of the sprayer for a foot spa tub as shown in FIG. 1;
 FIG. 5 is a left side elevational view of the sprayer for a foot spa tub as shown in FIG. 1;
 FIG. 6 is a right side elevational view of the sprayer for a foot spa tub as shown in FIG. 1;
 FIG. 7 is a top plan view of the sprayer for a foot spa tub as shown in FIG. 1; and,
 FIG. 8 is a bottom plan view of the sprayer for a foot spa tub as shown in FIG. 1.

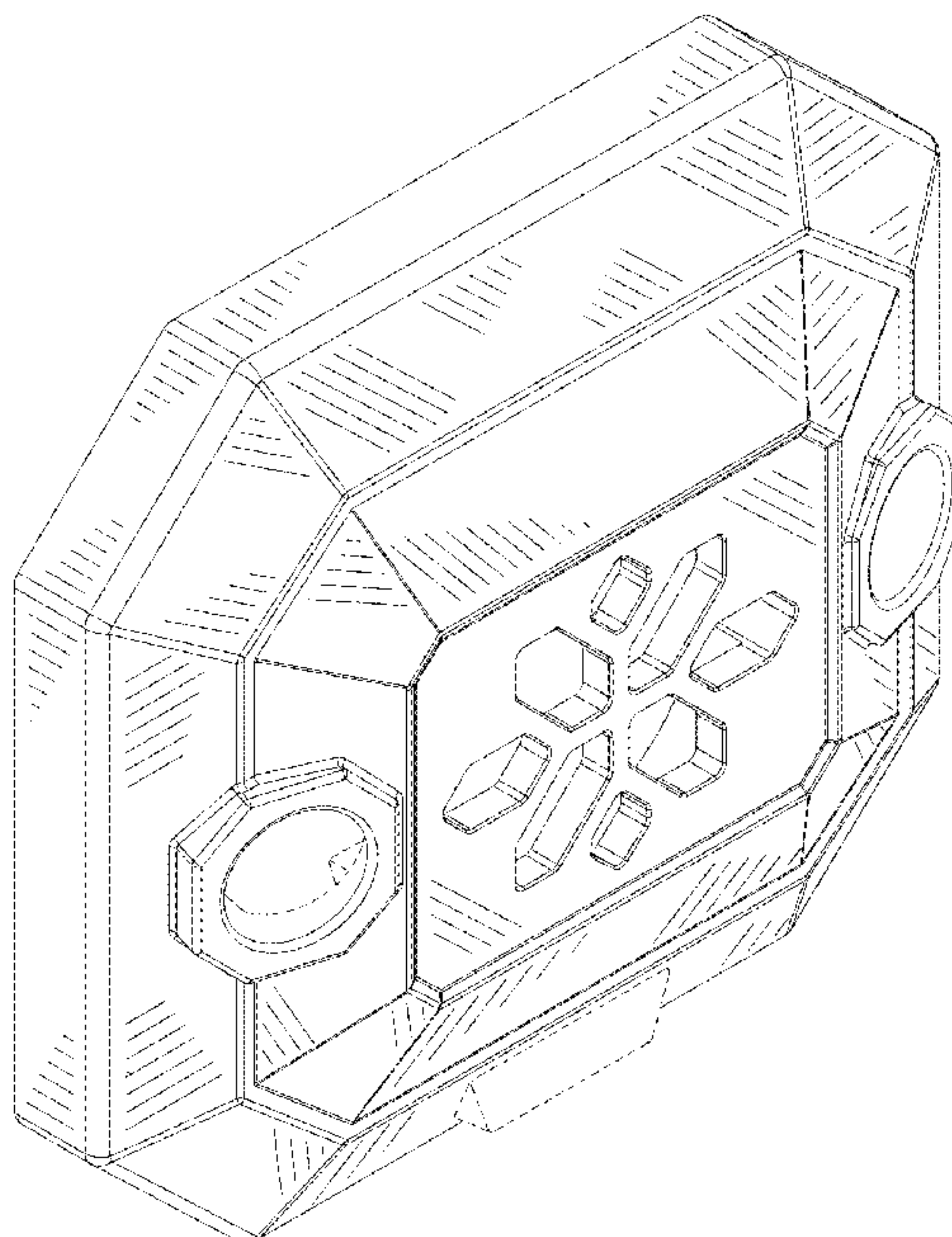
The broken lines represent portions of the sprayer for a foot spa tub and form no part of the claimed design.

1 Claim, 8 Drawing Sheets

(56) **References Cited**

U.S. PATENT DOCUMENTS

- D362,173 S * 9/1995 Skitromo D26/142
- D397,983 S * 9/1998 Pingel D12/217
- D398,515 S * 9/1998 Whyte D13/156
- D532,874 S * 11/2006 Hoernig D23/254



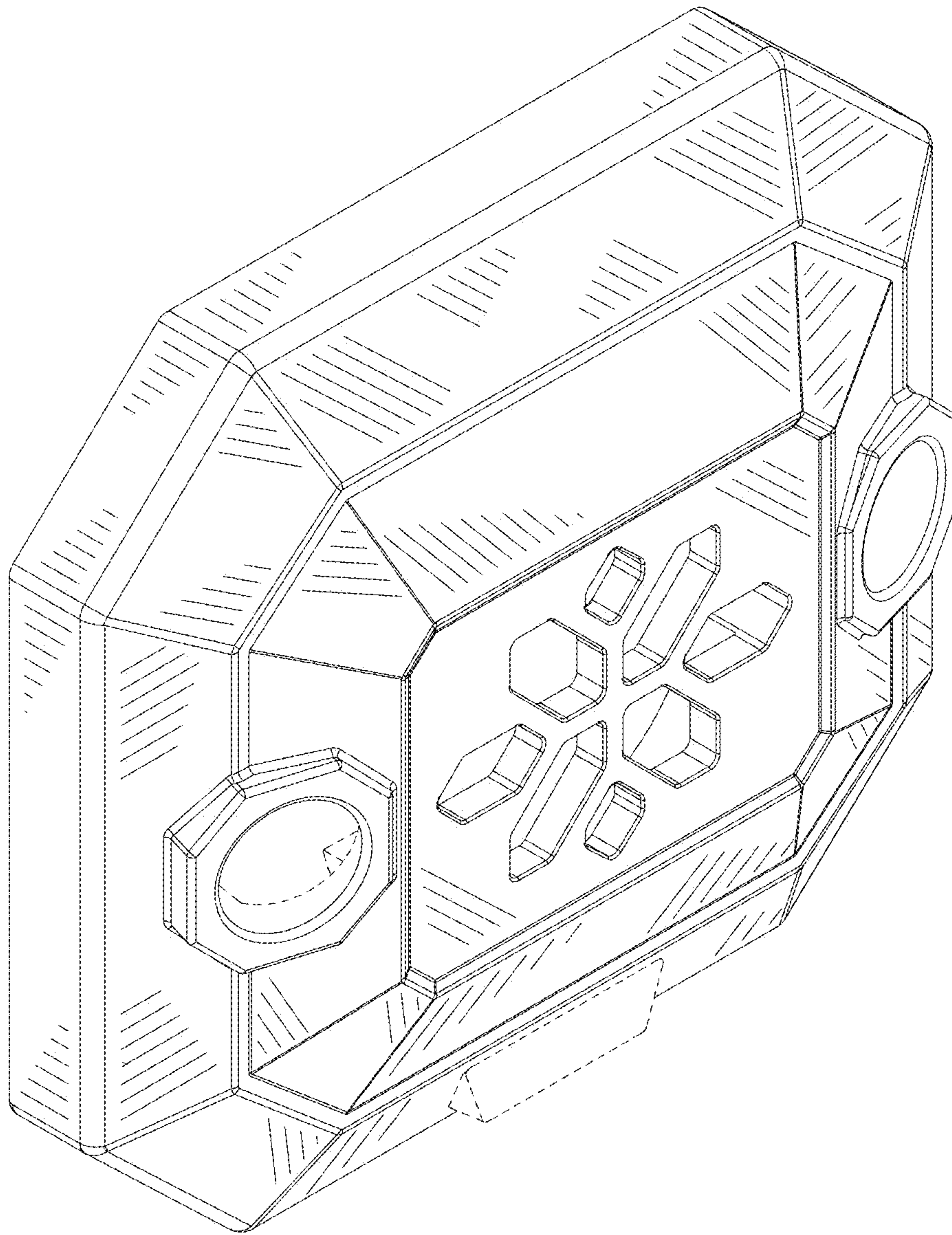


FIG. 1

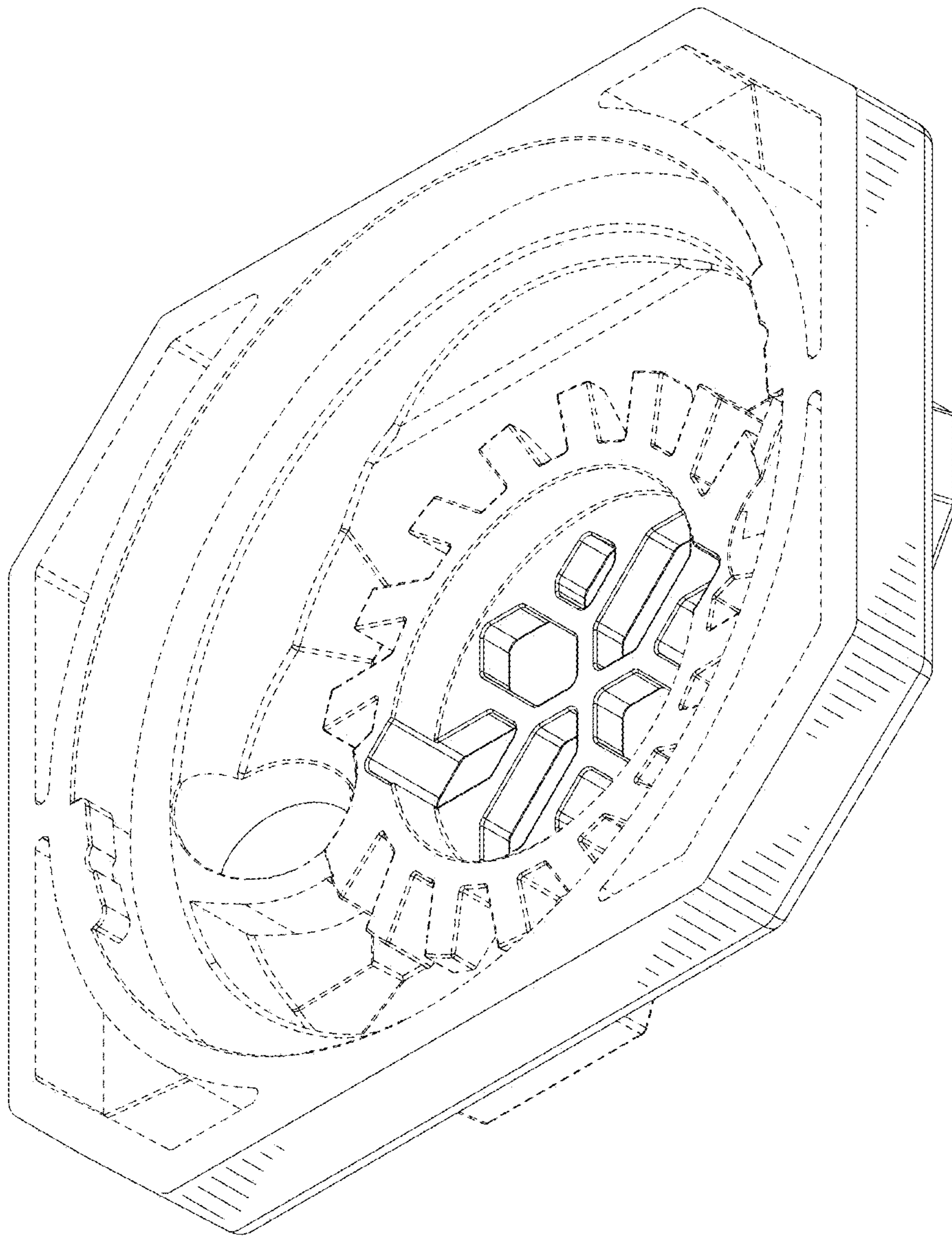


FIG. 2

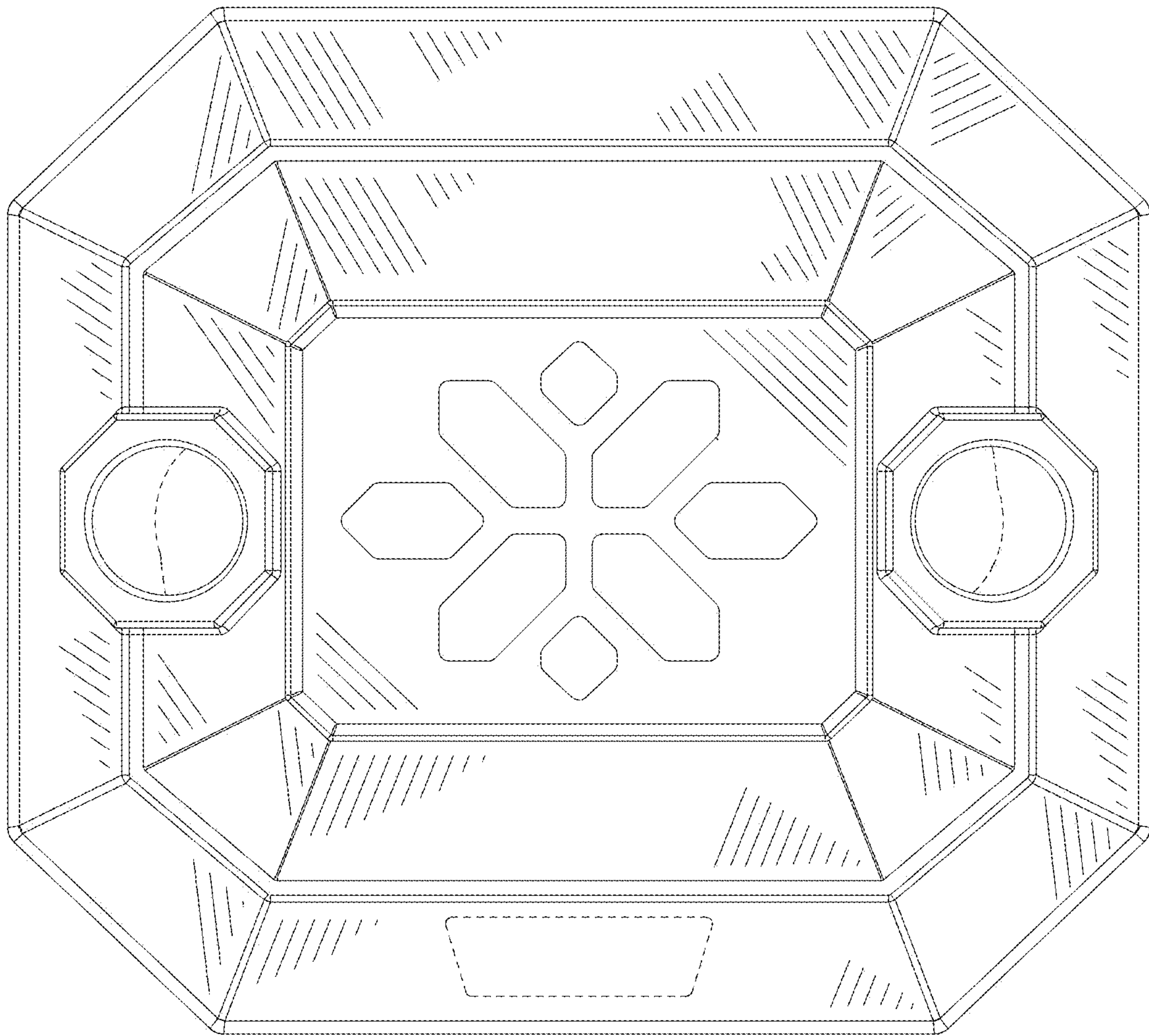


FIG. 3

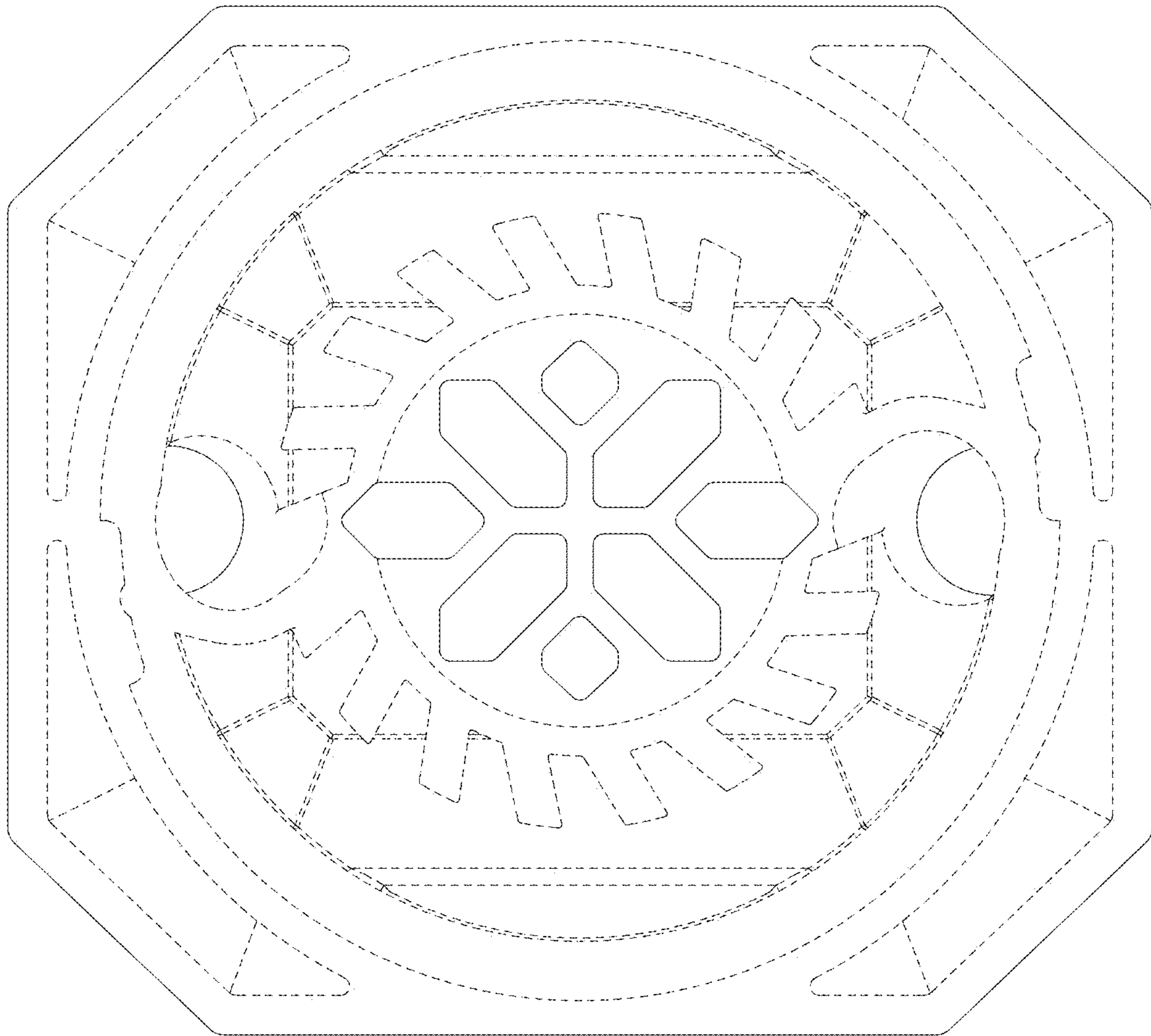


FIG. 4

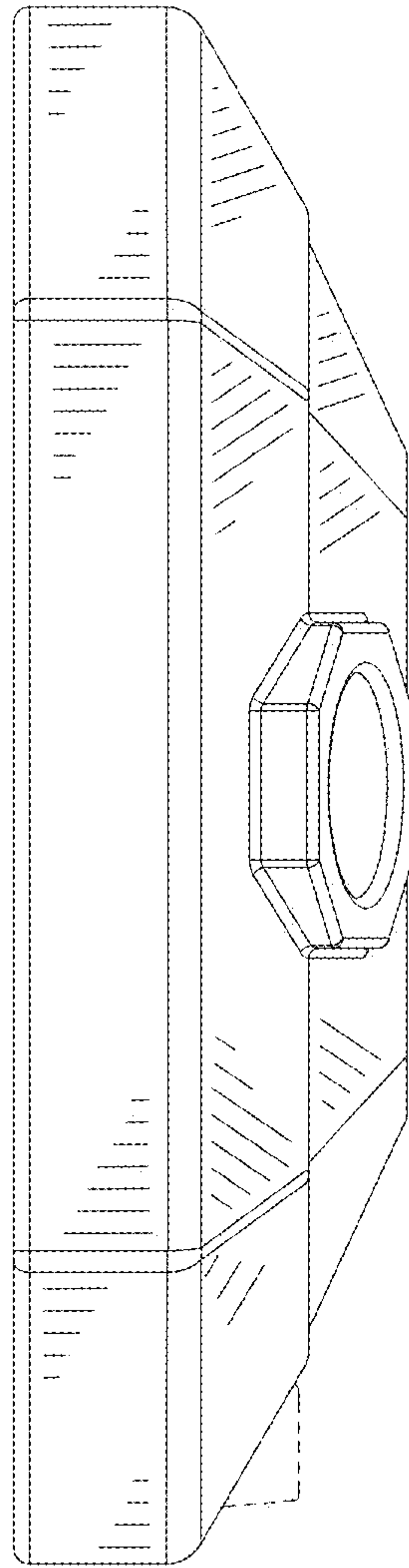


FIG. 5

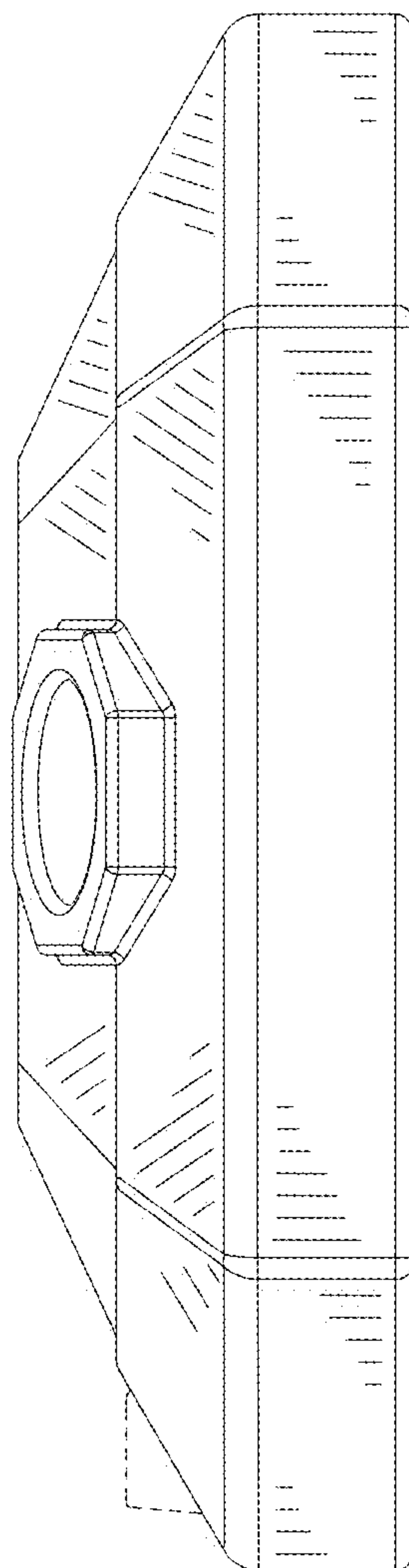


FIG. 6

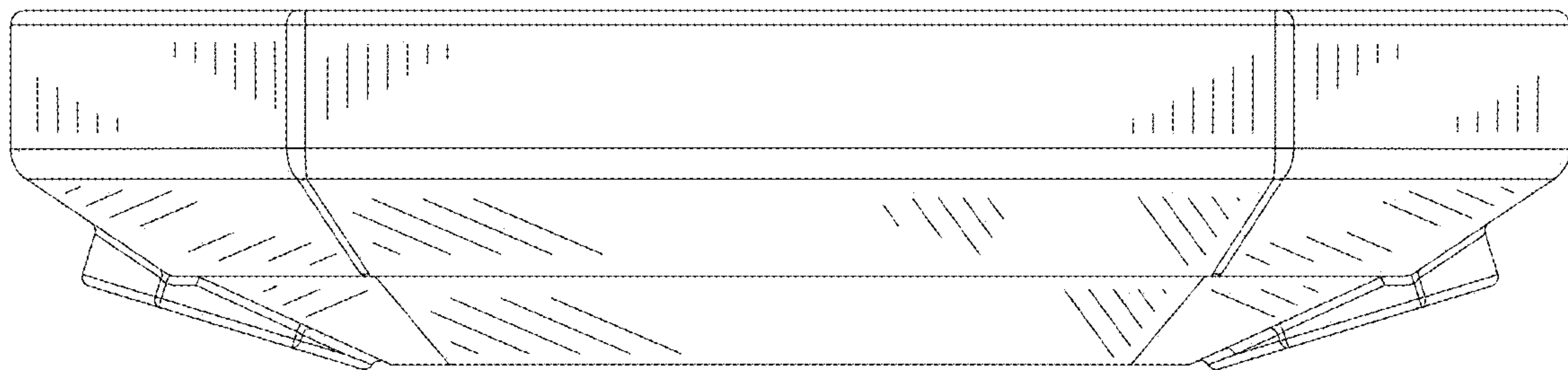


FIG. 7

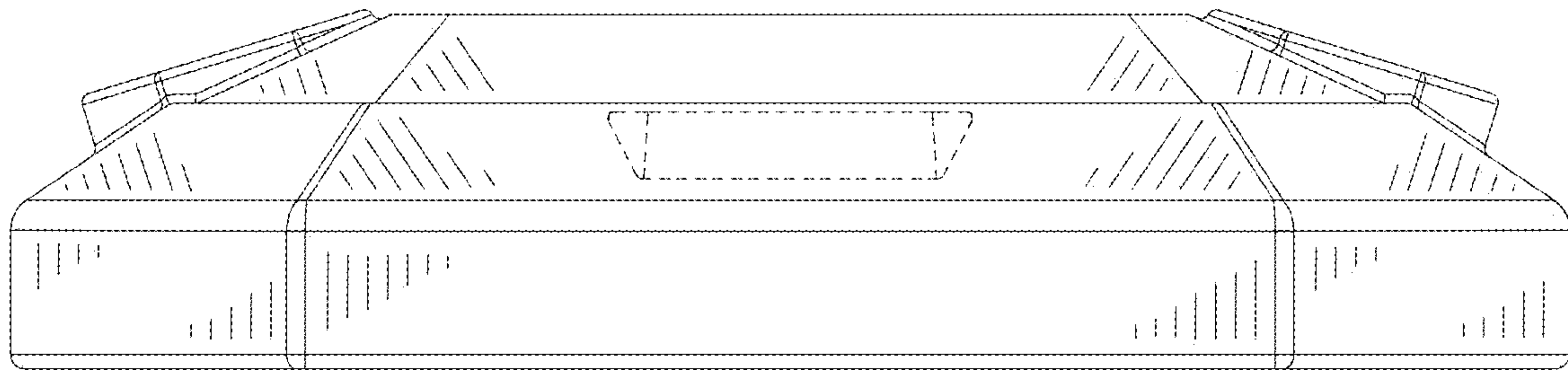


FIG. 8