



US00D917020S

(12) **United States Design Patent** (10) **Patent No.:** **US D917,020 S**
Eads (45) **Date of Patent:** **** Apr. 20, 2021**

(54) **VALVE**
(71) Applicant: **DELTA FAUCET COMPANY,**
Indianapolis, IN (US)
(72) Inventor: **Thad Eads,** Urbana, IN (US)
(73) Assignee: **DELTA FAUCET COMPANY,**
Indianapolis, IN (US)

D193,885 S * 10/1962 Andrews D23/238
D285,246 S * 8/1986 Fetty D23/250
D300,238 S * 3/1989 Kohler, Jr. D23/254
D302,109 S * 7/1989 Cayce D8/398
D476,549 S * 7/2003 Shaw D8/353
D605,024 S * 12/2009 Cotton D8/302
D609,311 S * 2/2010 Schoenherr D23/250
D787,295 S * 5/2017 Young D8/307
D826,382 S * 8/2018 Spangler D23/254

* cited by examiner

(**) Term: **15 Years**

Primary Examiner — Robert A Delehanty

(21) Appl. No.: **29/683,449**

(74) *Attorney, Agent, or Firm* — Nirav D. Parikh; Edgar A. Zarins

(22) Filed: **Mar. 13, 2019**

(51) **LOC (13) Cl.** **23-01**

(57) **CLAIM**

(52) **U.S. Cl.**
USPC **D23/254**

The ornamental design for a valve, as shown and described.

(58) **Field of Classification Search**
USPC D23/250, 252, 254, 238–243, 249;
D8/307–308, 352–353
CPC E03C 1/0408; E03C 1/09; E03C 1/042;
E03C 1/0412
See application file for complete search history.

DESCRIPTION

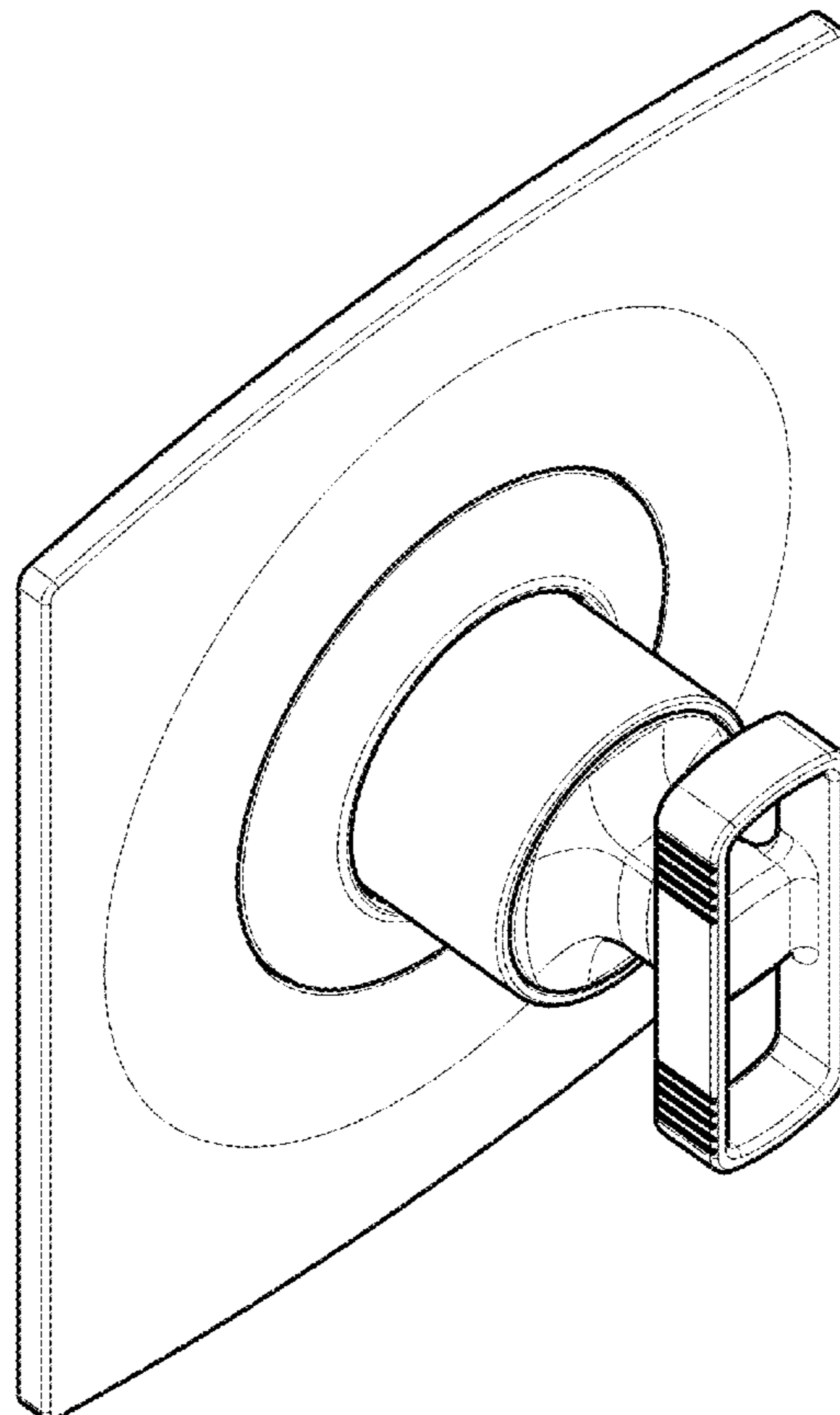
FIG. 1 is a front perspective view of a valve showing my new design;
FIG. 2 is a rear perspective view thereof;
FIG. 3 is a front elevational view thereof;
FIG. 4 is a left side view thereof;
FIG. 5 is a rear view thereof;
FIG. 6 is a right side view thereof;
FIG. 7 is a top plan view thereof; and,
FIG. 8 is a bottom view thereof.

(56) **References Cited**

U.S. PATENT DOCUMENTS

2,190,192 A * 2/1940 Raymond E05B 1/0015
16/417
D174,222 S * 3/1955 Howie D7/393

1 Claim, 4 Drawing Sheets



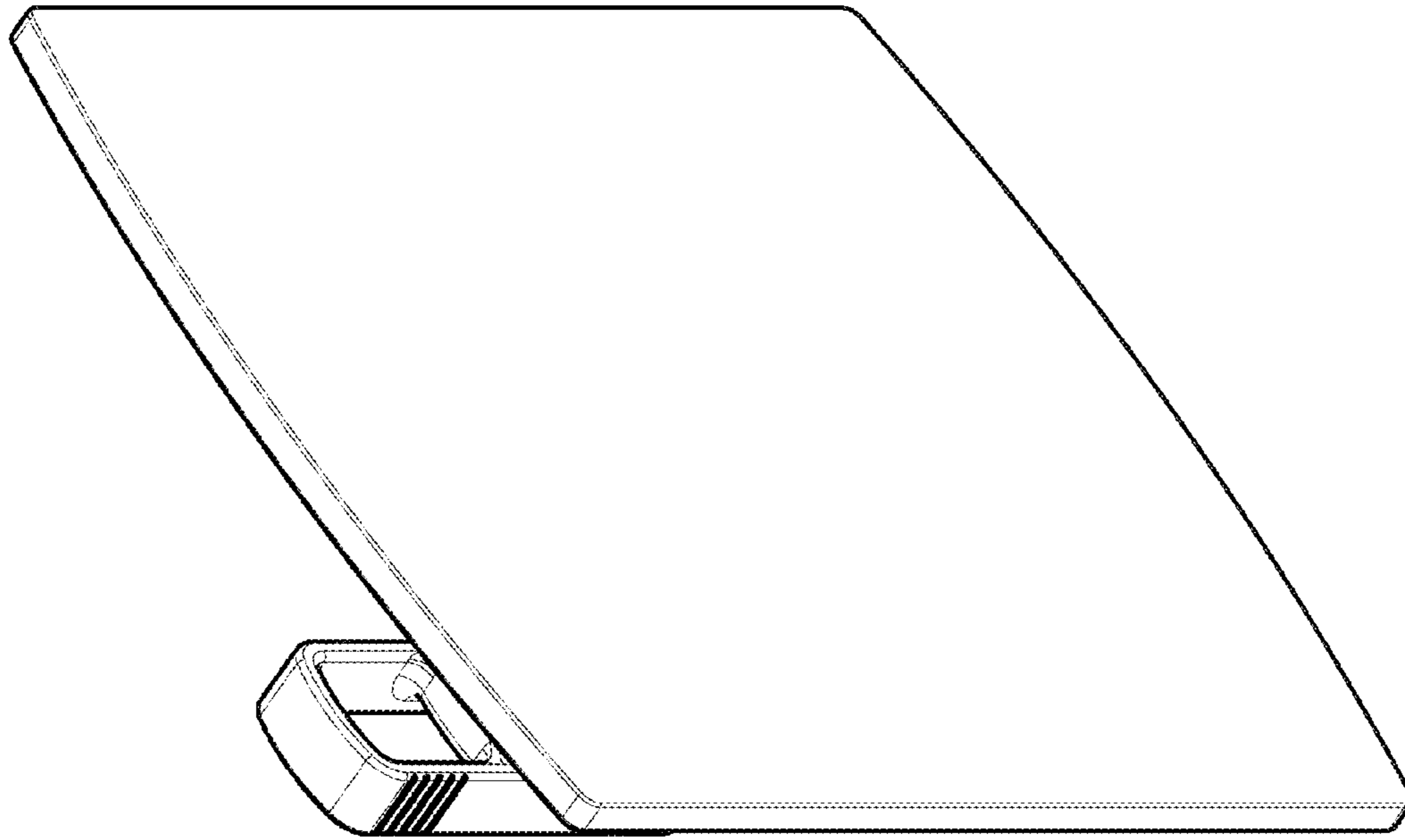


FIG - 2

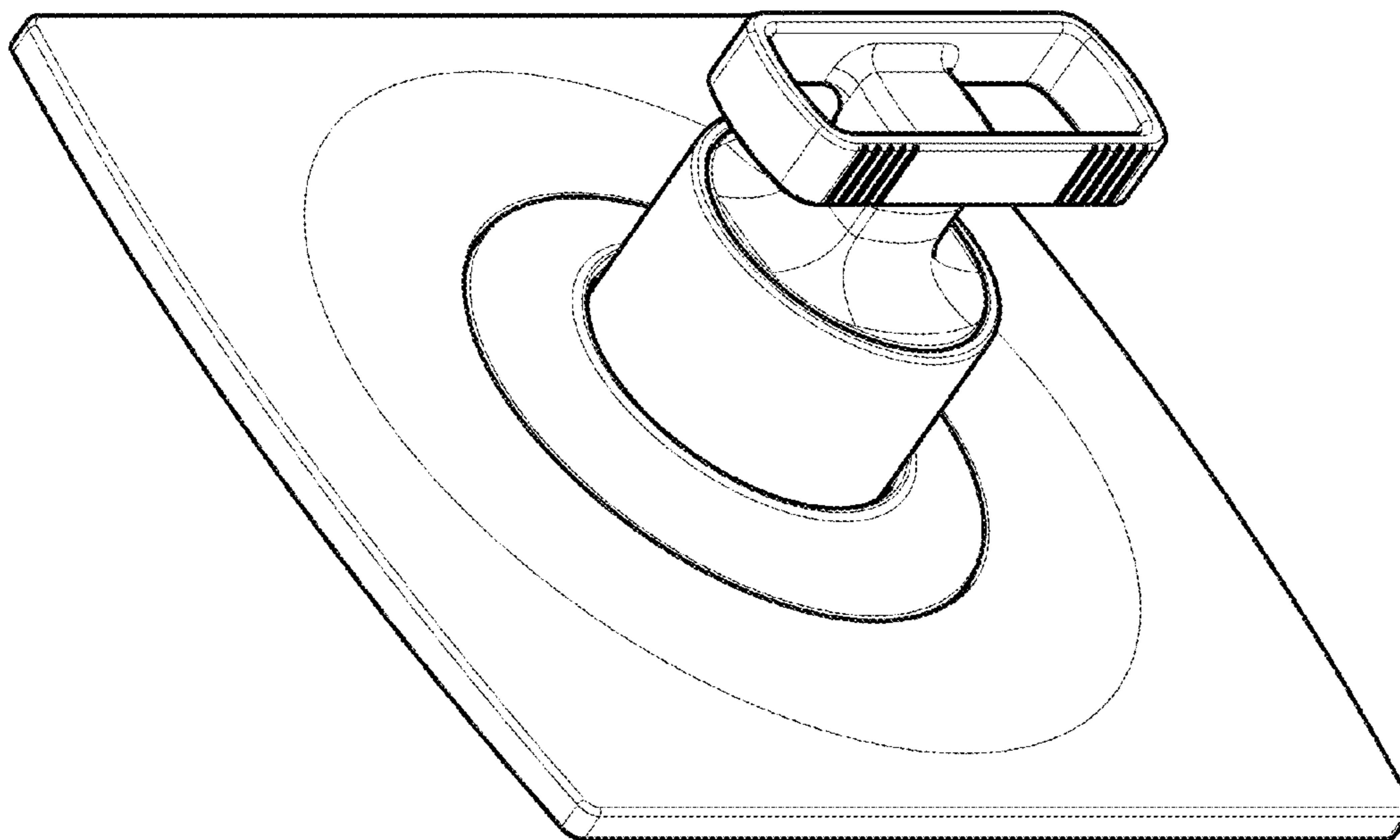


FIG - 1

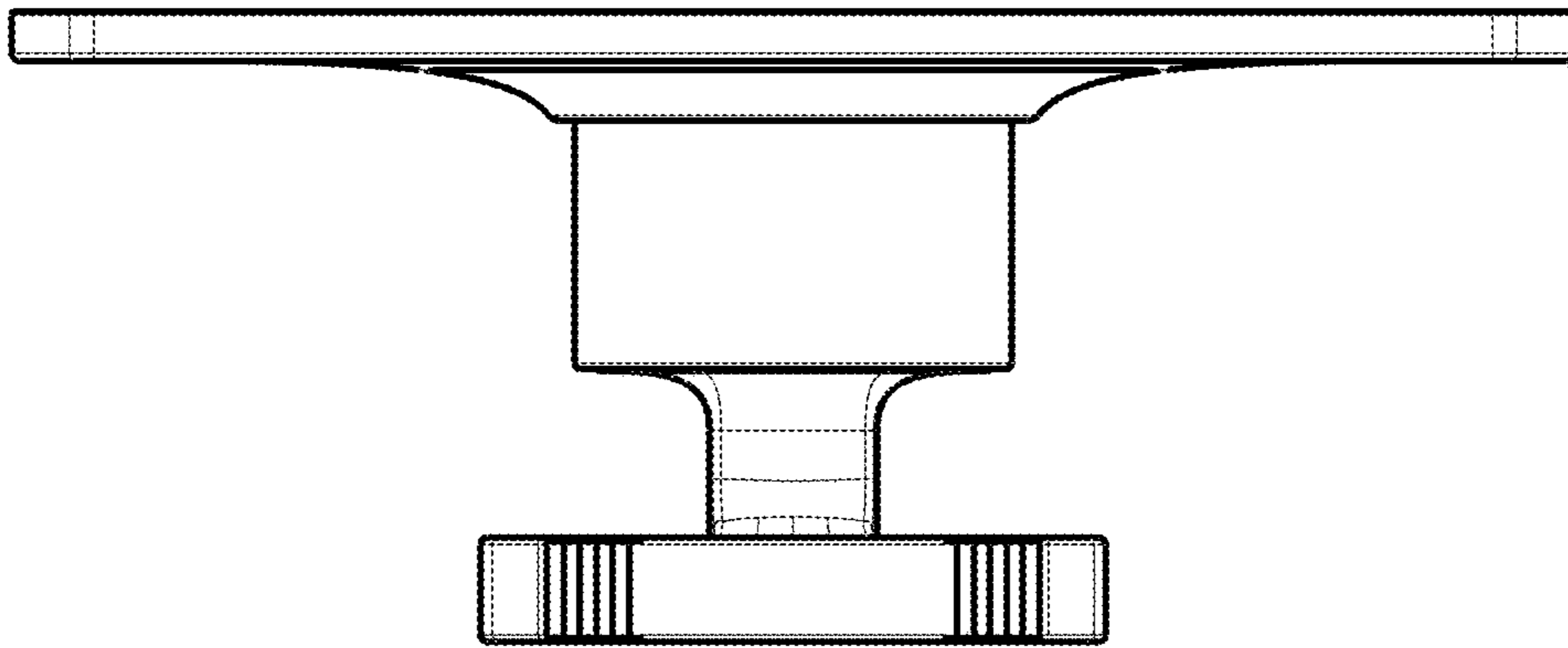


FIG - 4

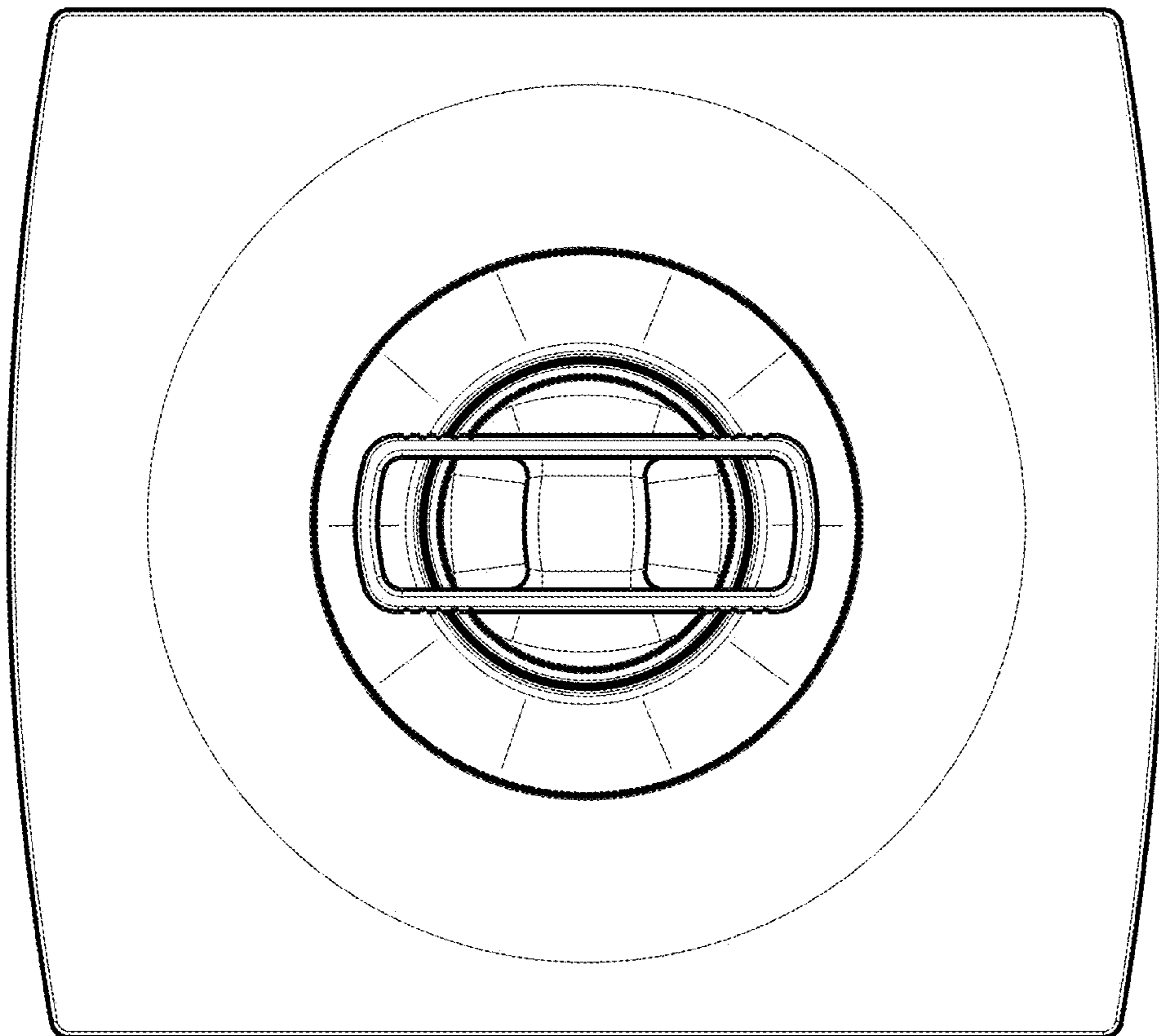


FIG - 3

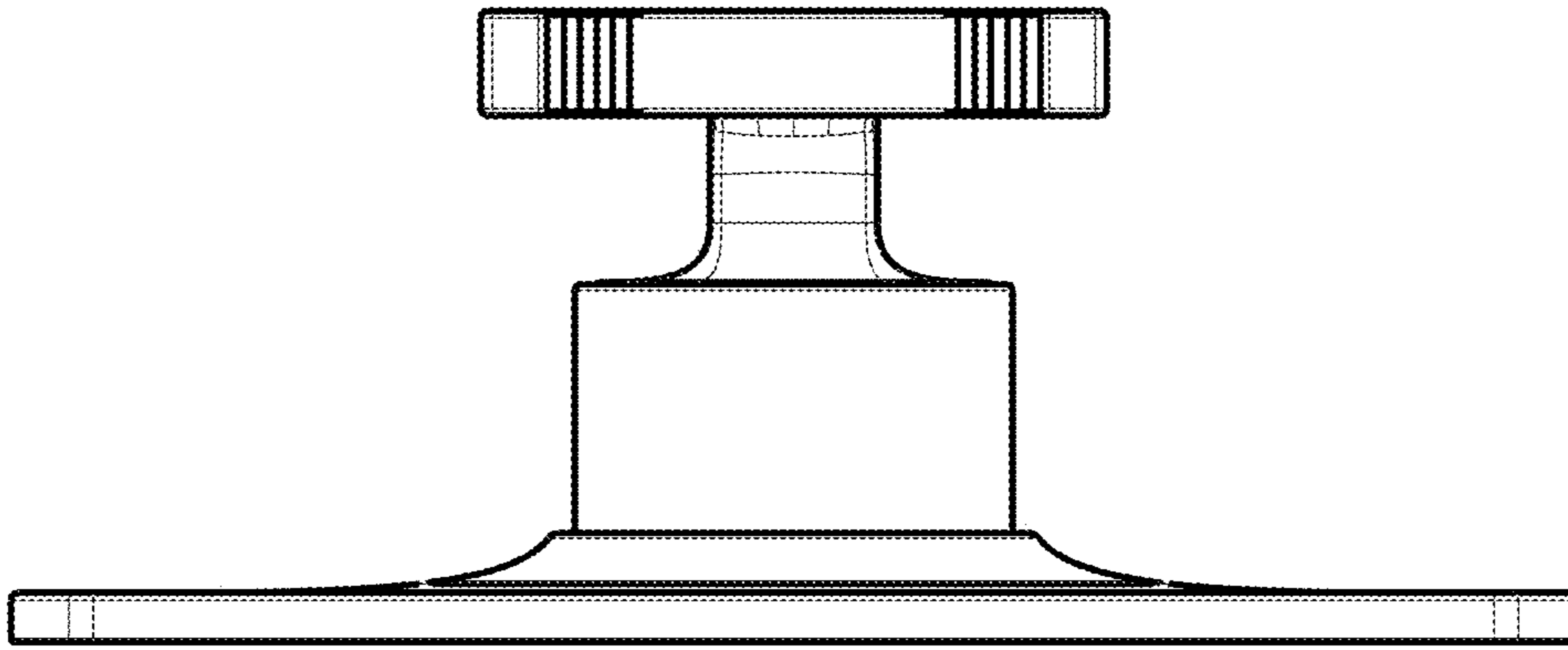


FIG - 6

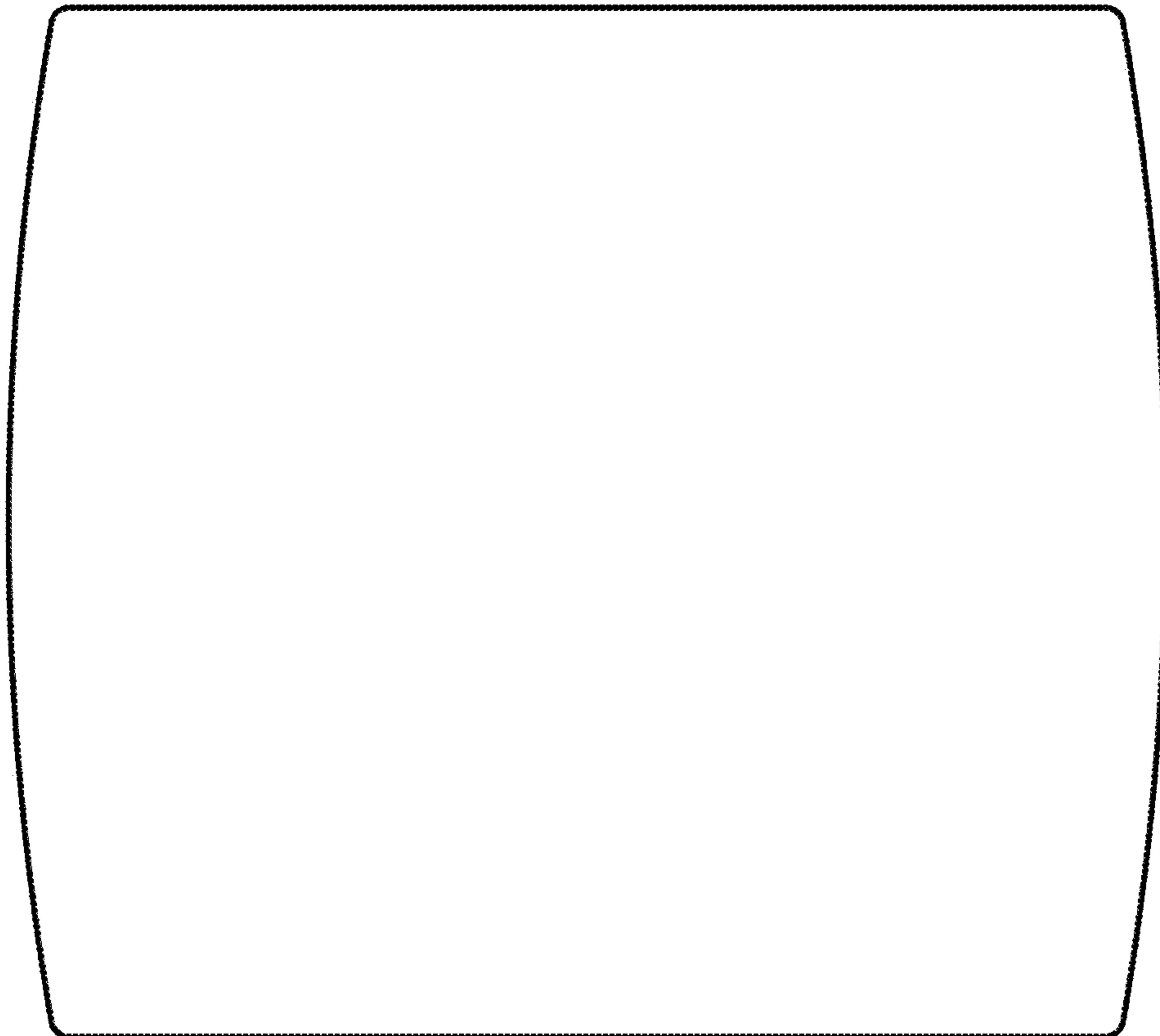


FIG - 5

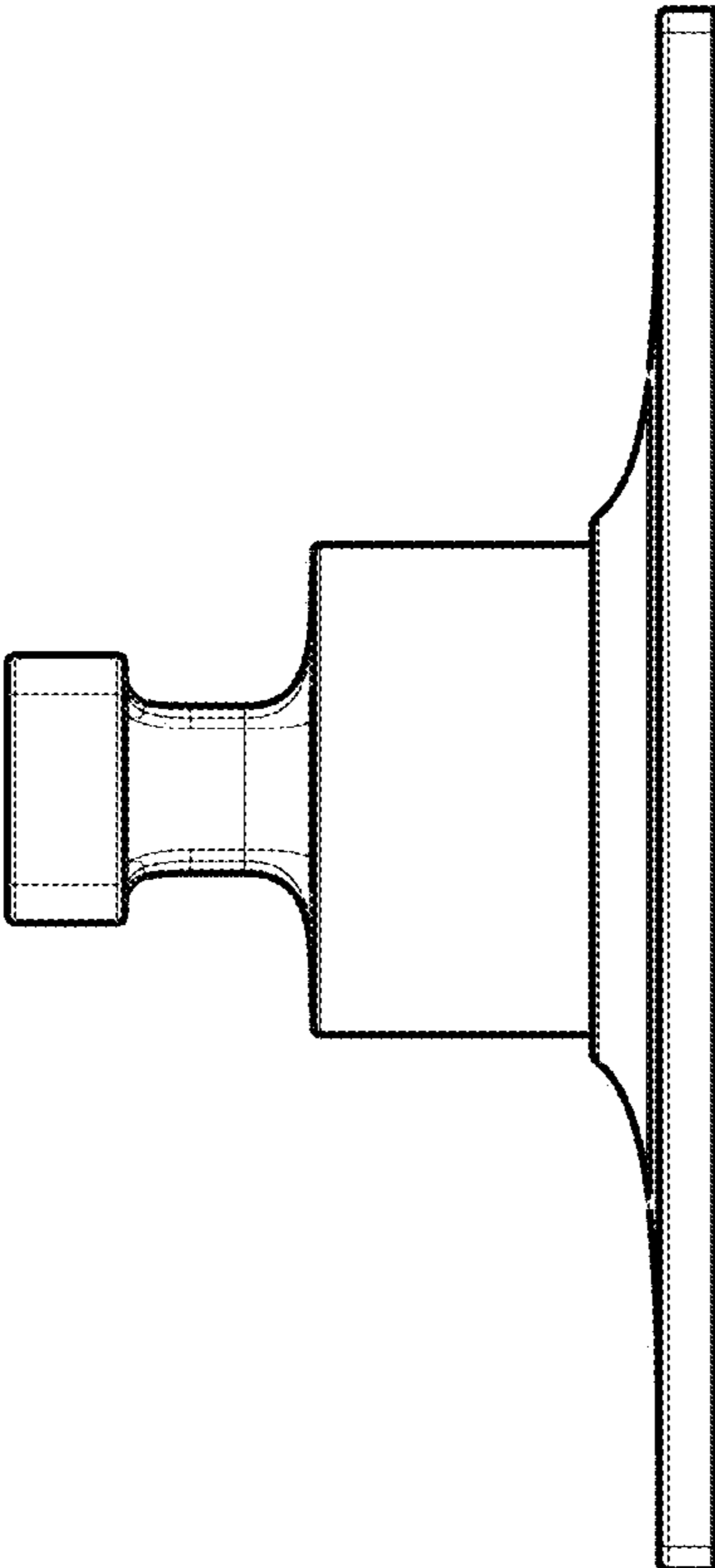


FIG - 8

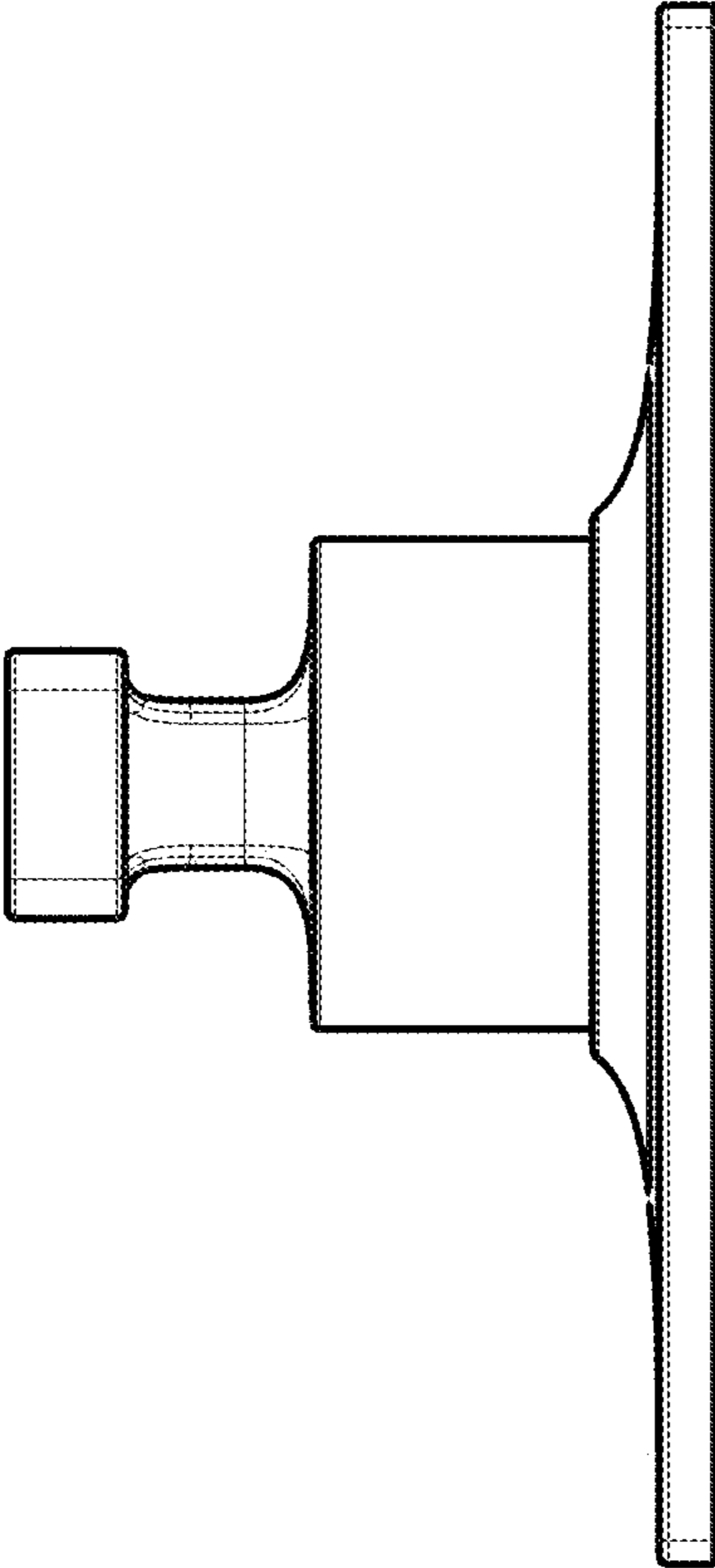


FIG - 7