



US00D917019S

(12) **United States Design Patent** (10) **Patent No.:** **US D917,019 S**  
**Eads** (45) **Date of Patent:** **\*\* Apr. 20, 2021**

(54) **VALVE**  
(71) Applicant: **DELTA FAUCET COMPANY,**  
Indianapolis, IN (US)  
(72) Inventor: **Thad Eads,** Urbana, IN (US)  
(73) Assignee: **DELTA FAUCET COMPANY,**  
Indianapolis, IN (US)  
(\*\*) Term: **15 Years**

D302,109 S \* 7/1989 Cayce ..... D8/398  
D476,549 S \* 7/2003 Shaw ..... D8/353  
D787,295 S \* 5/2017 Young ..... D8/307  
D811,547 S \* 2/2018 Andrew ..... D23/254  
D826,382 S \* 8/2018 Spangler ..... D23/254  
D827,101 S \* 8/2018 Spangler ..... D23/254

\* cited by examiner

*Primary Examiner* — Robert A Delehanty

(74) *Attorney, Agent, or Firm* — Nirav D. Parikh; Edgar  
A. Zarins

(21) Appl. No.: **29/683,437**  
(22) Filed: **Mar. 13, 2019**  
(51) **LOC (13) Cl.** ..... **23-01**  
(52) **U.S. Cl.**  
USPC ..... **D23/254**  
(58) **Field of Classification Search**  
USPC ..... D23/250, 252, 254, 238–243, 249;  
D8/307–308, 352–353  
CPC ..... E03C 1/0408; E03C 1/09; E03C 1/042;  
E03C 1/0412  
See application file for complete search history.

(57) **CLAIM**

The ornamental design for a valve, as shown and described.

**DESCRIPTION**

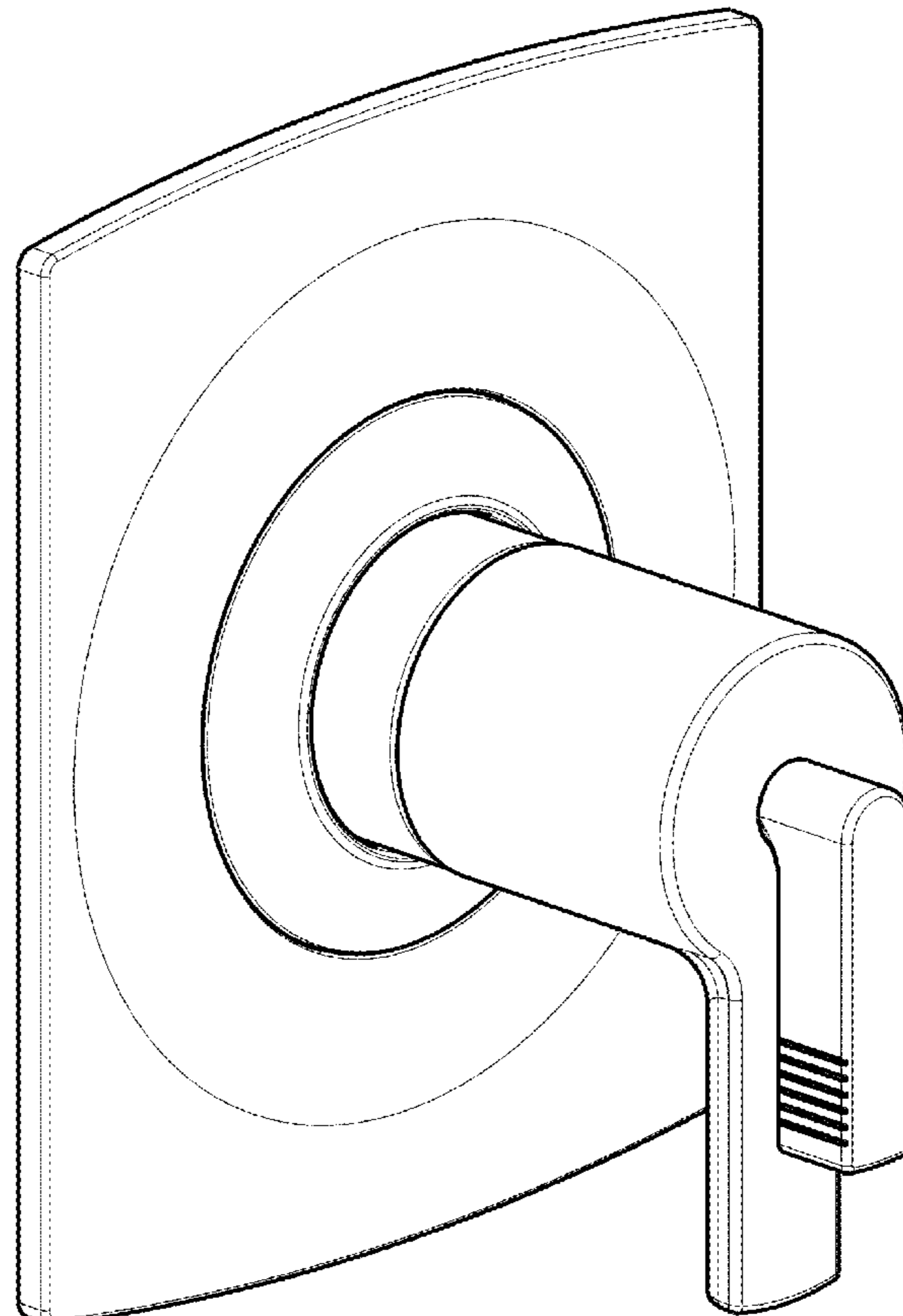
FIG. 1 is a front perspective view of a valve showing my new design;  
FIG. 2 is a rear perspective view thereof;  
FIG. 3 is a front elevational view thereof;  
FIG. 4 is a left side view thereof;  
FIG. 5 is a rear view thereof;  
FIG. 6 is a right side view thereof;  
FIG. 7 is a top plan view thereof; and,  
FIG. 8 is a bottom view thereof.

(56) **References Cited**

**U.S. PATENT DOCUMENTS**

2,190,192 A \* 2/1940 Raymond ..... E05B 1/0015  
16/417  
D228,061 S \* 8/1973 Kartarik ..... D8/353

**1 Claim, 4 Drawing Sheets**



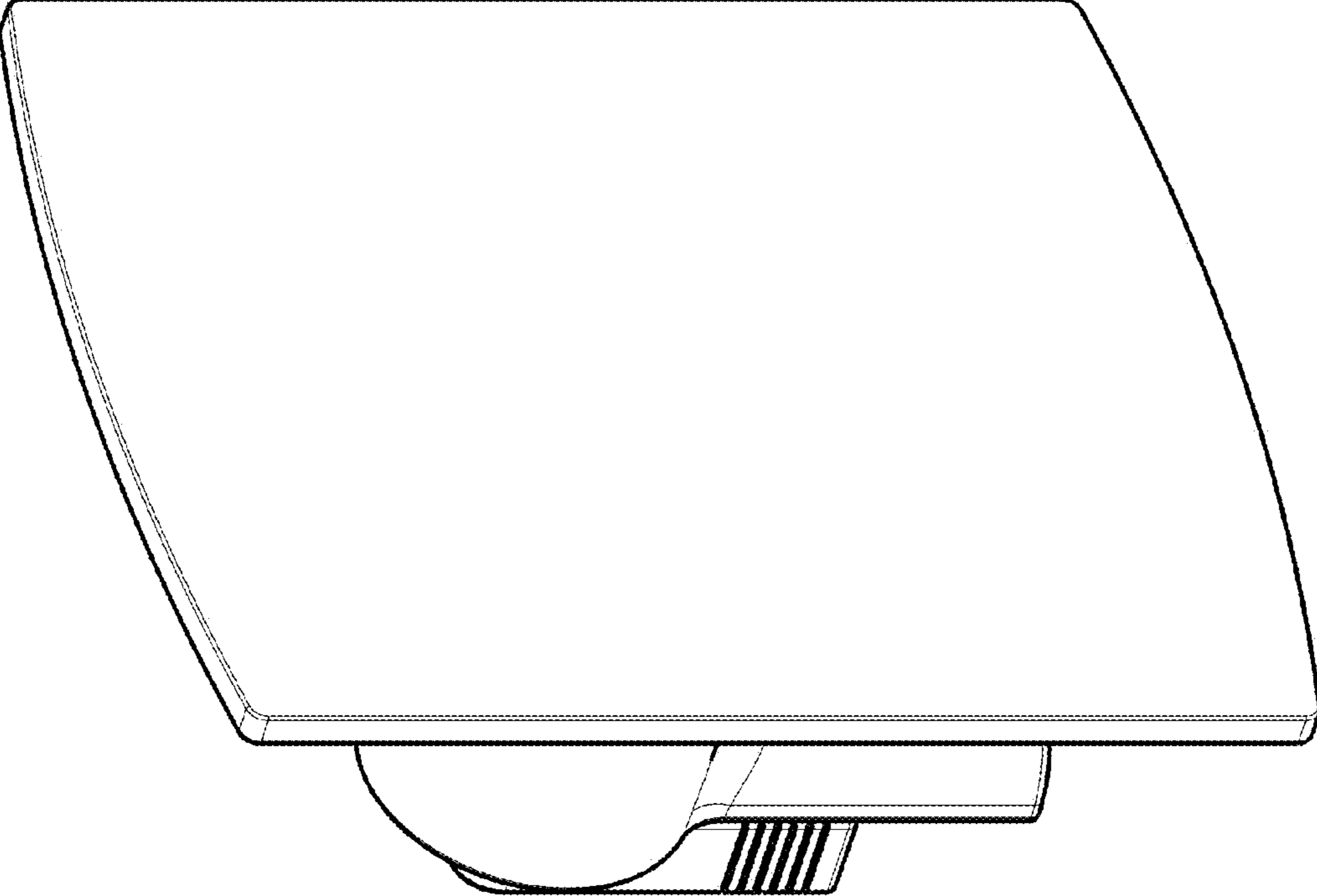


FIG - 2

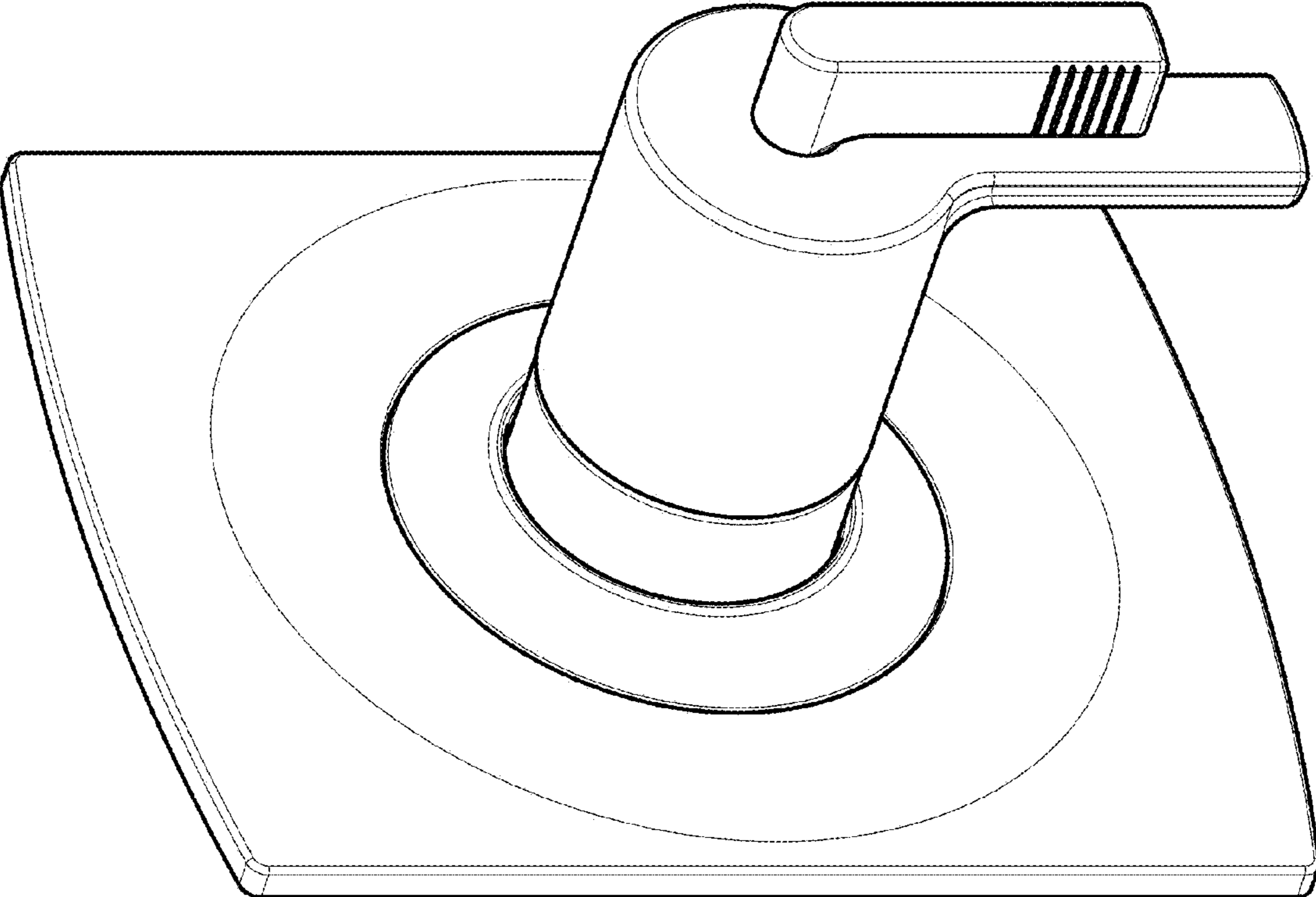


FIG - 1

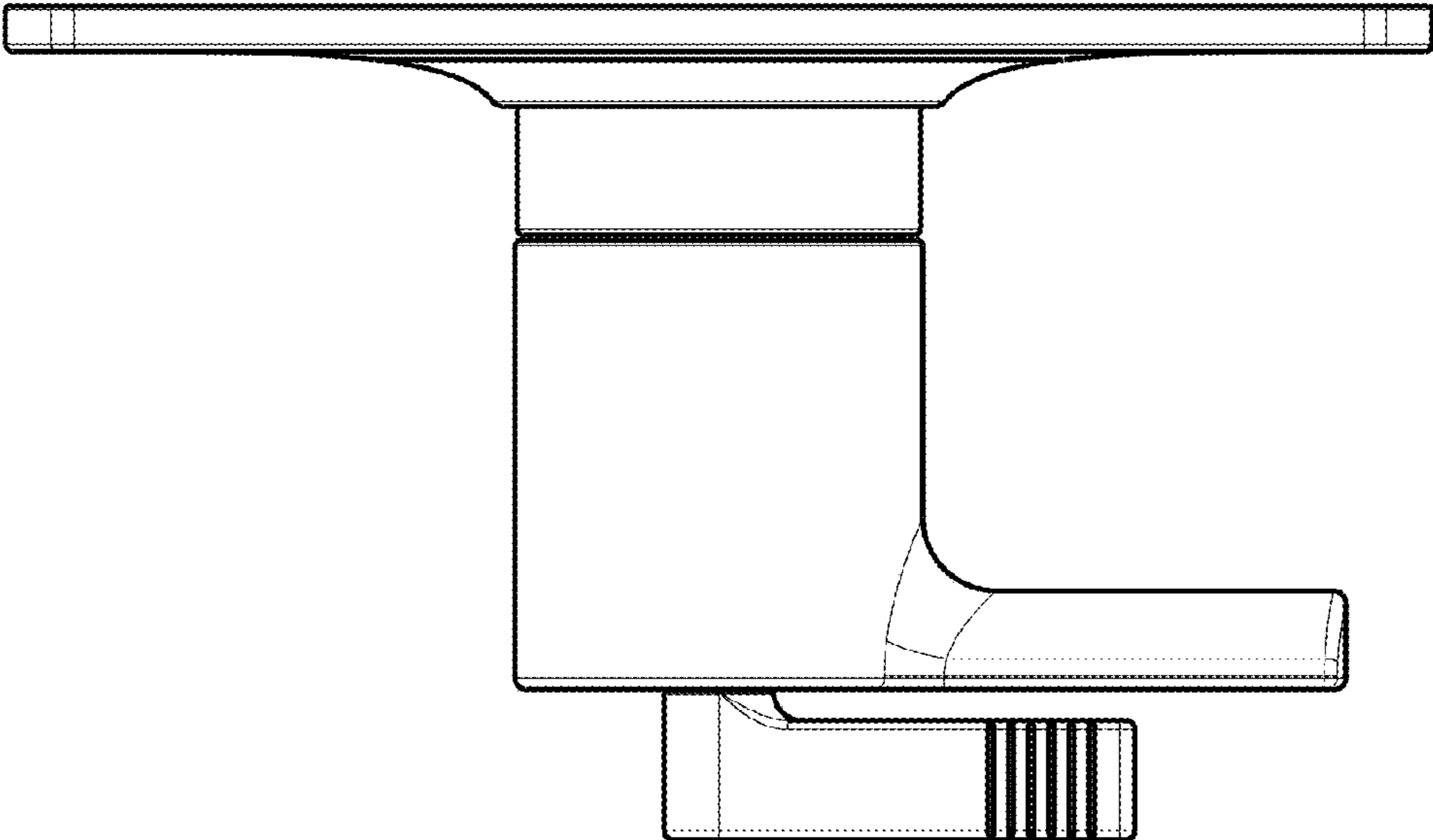


FIG - 4

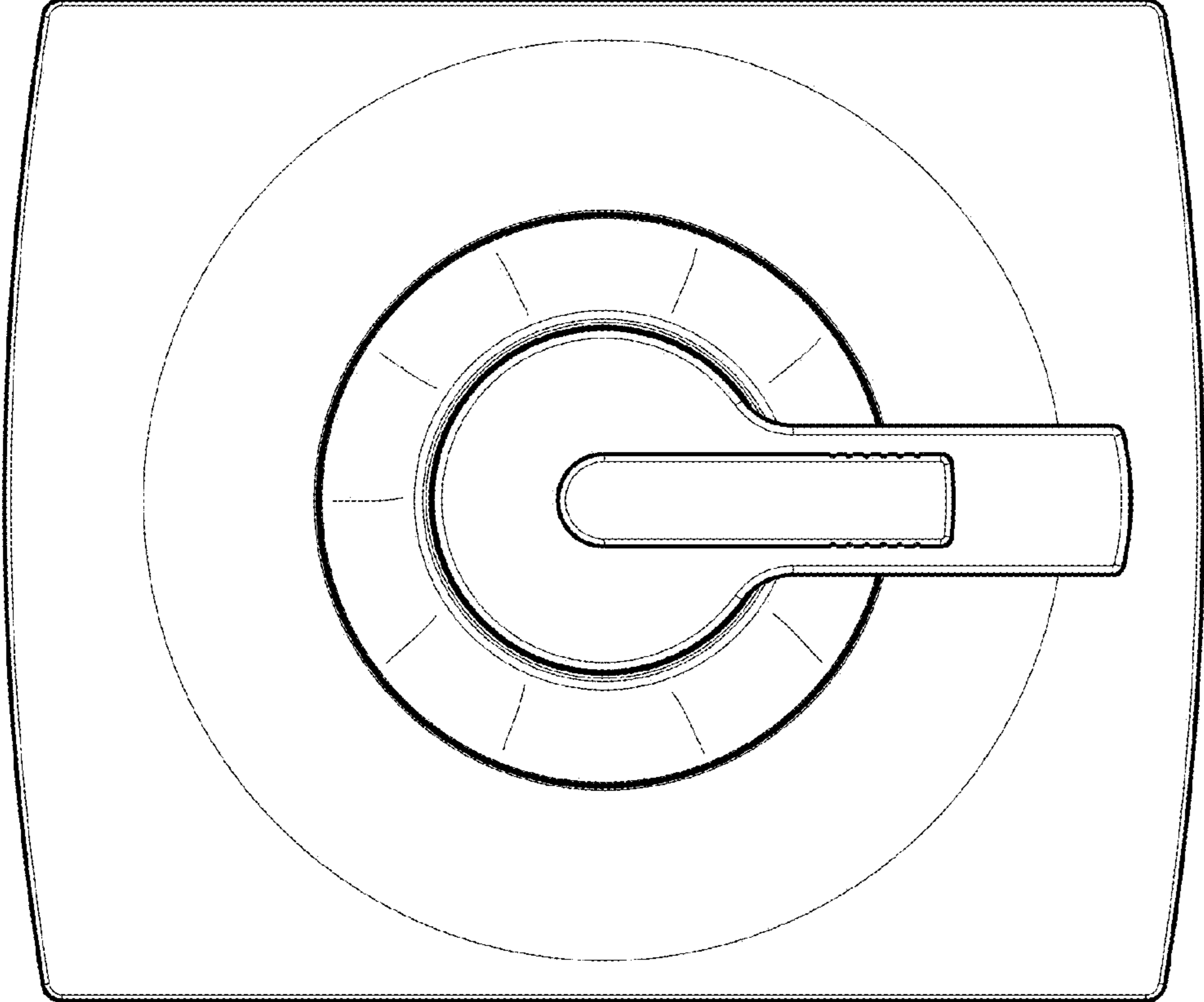


FIG - 3

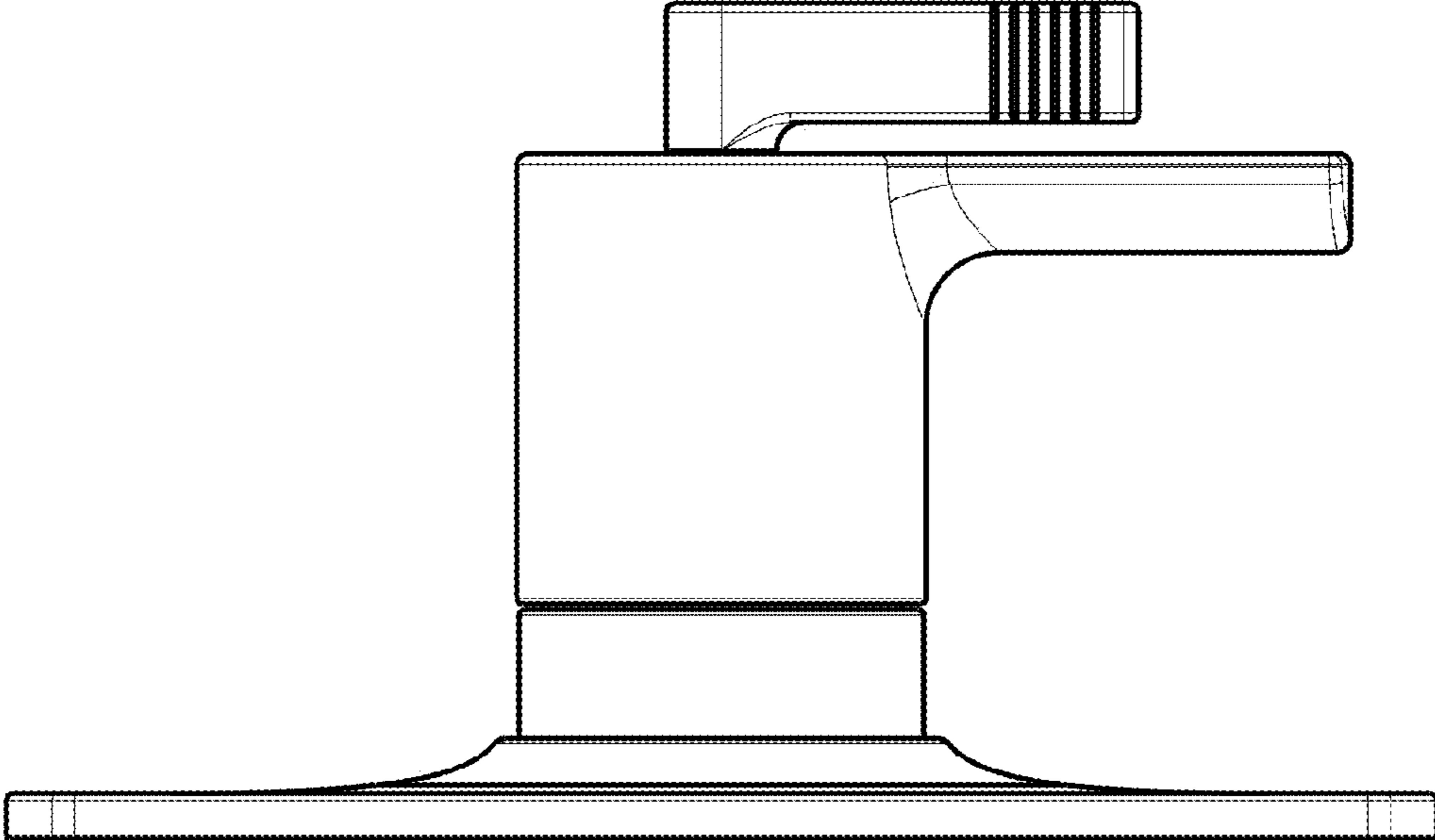


FIG - 6

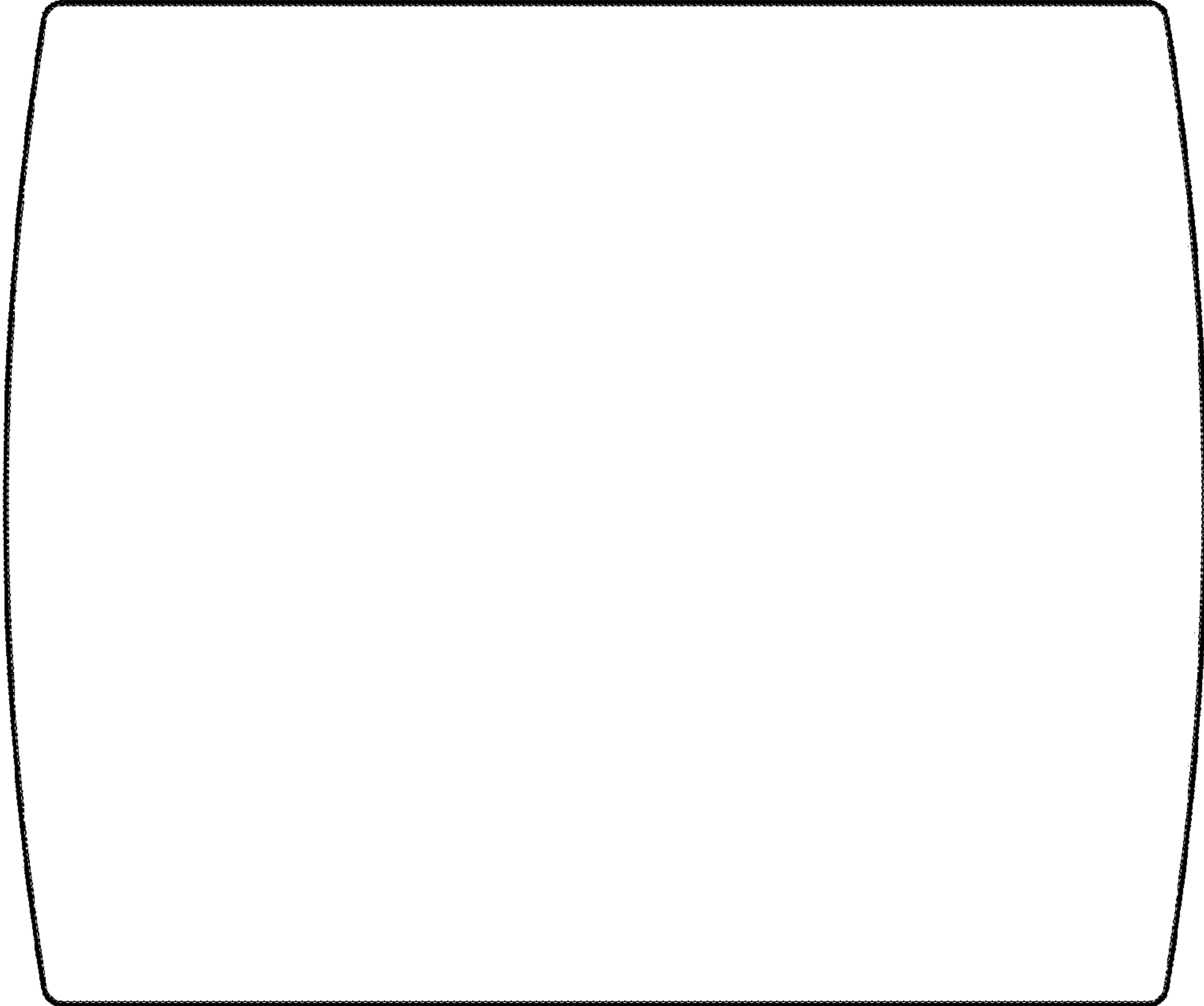


FIG - 5

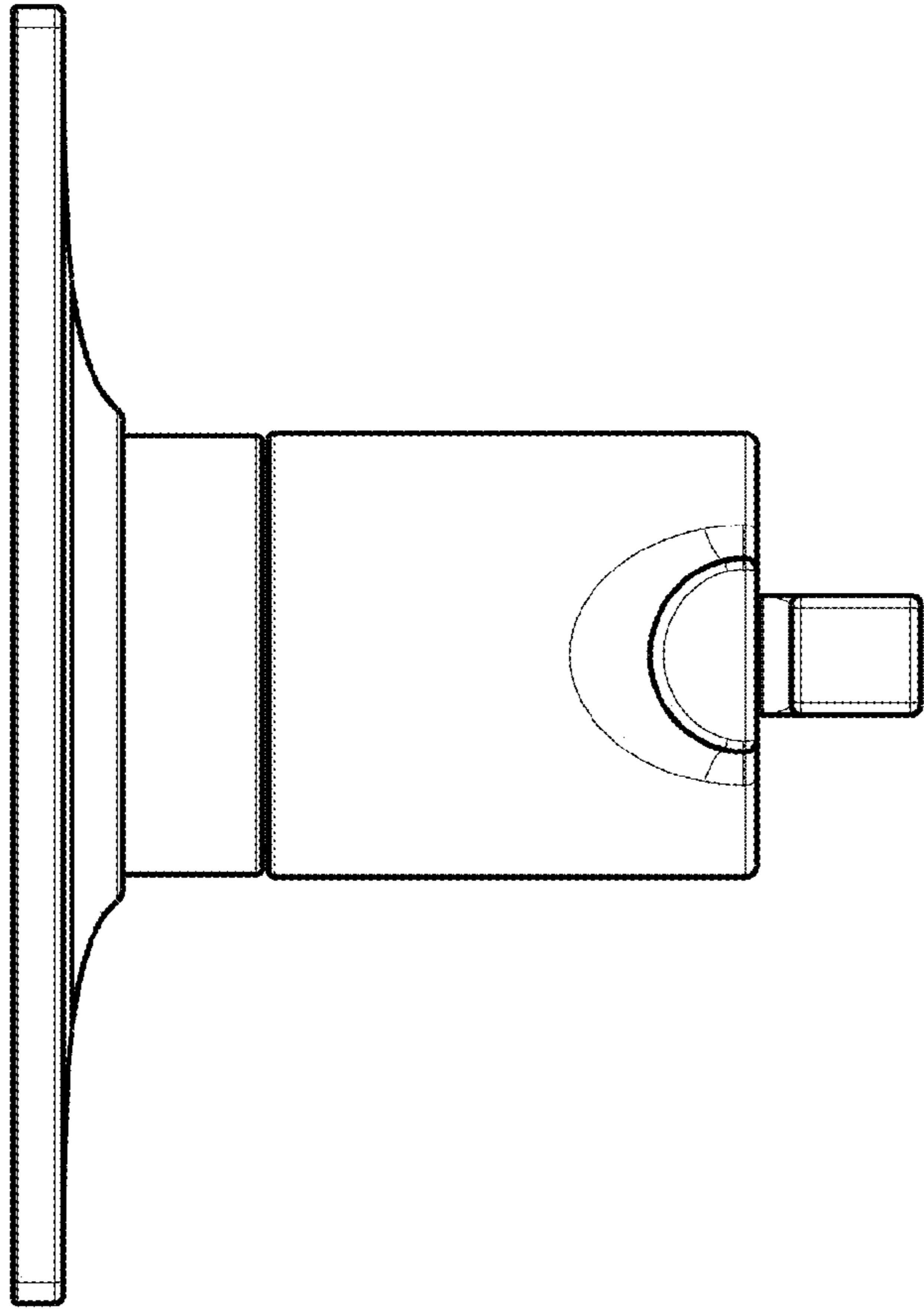


FIG - 8

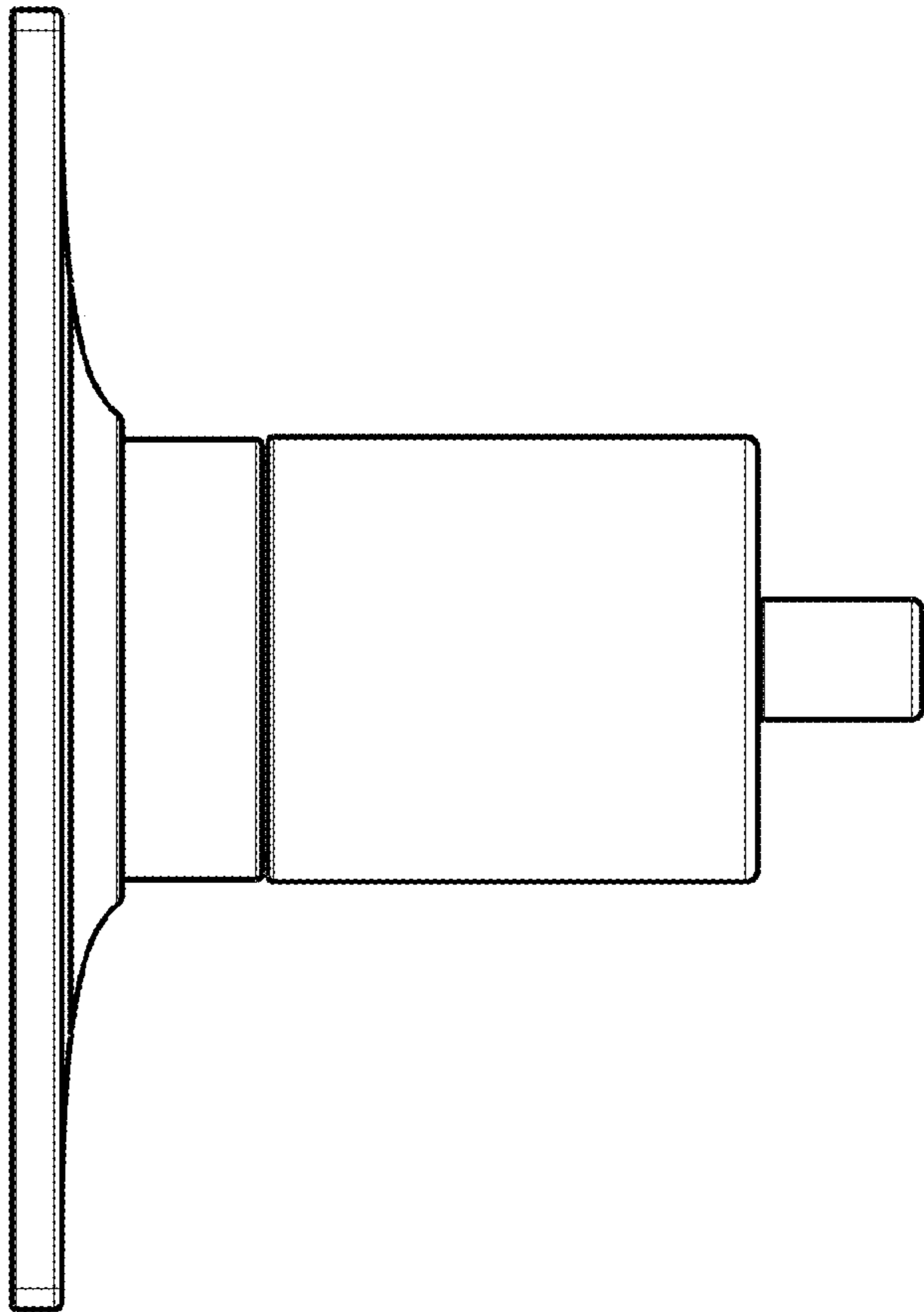


FIG - 7