



US00D917016S

(12) **United States Design Patent**
Ravassa et al.

(10) **Patent No.:** **US D917,016 S**

(45) **Date of Patent:** **** Apr. 20, 2021**

(54) **HANDLE**

(71) Applicant: **AS America, Inc.**, Piscataway, NJ (US)

(72) Inventors: **Gabriela Ravassa**, Brooklyn, NY (US);
Jean-Jacques L’Henaff, New Canaan, CT (US)

(73) Assignee: **AS America, Inc.**, Piscataway, NJ (US)

(**) Term: **15 Years**

(21) Appl. No.: **29/719,845**

(22) Filed: **Jan. 8, 2020**

(51) **LOC (13) Cl.** **23-01**

(52) **U.S. Cl.**
USPC **D23/250**

(58) **Field of Classification Search**
USPC D23/250–254, 238–243; D8/307–308
See application file for complete search history.

(56) **References Cited**

U.S. PATENT DOCUMENTS

D290,159 S * 6/1987 Jans D23/242
D322,659 S * 12/1991 Reid D23/250
D522,633 S * 6/2006 Hoernig D23/252

D714,913 S * 10/2014 Smith D23/250
D810,886 S * 2/2018 Schoenherr D23/253
D879,915 S * 3/2020 Garland D23/250

* cited by examiner

Primary Examiner — Robert A Delehanty

(74) *Attorney, Agent, or Firm* — Tyler A. Stevenson;
Anna-lisa L. Gallo

(57) **CLAIM**

We claim the ornamental design for a handle, as shown and described.

DESCRIPTION

FIG. 1 is a top perspective view of a handle showing our new design;

FIG. 2 is a front view thereof;

FIG. 3 is a rear view thereof;

FIG. 4 is a left side view thereof;

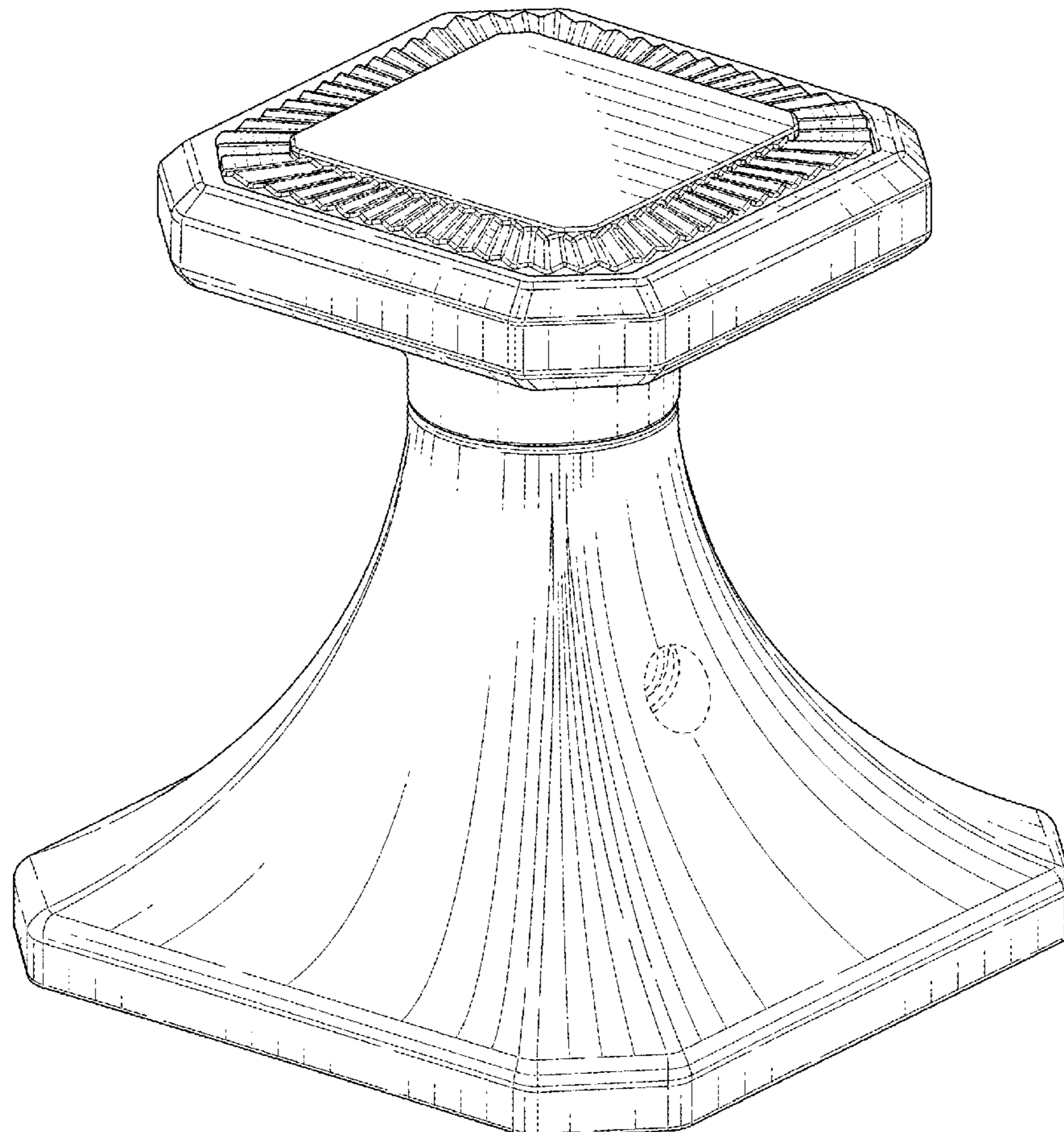
FIG. 5 is a right side view thereof;

FIG. 6 is a top view thereof; and,

FIG. 7 is a bottom view thereof.

Broken lines immediately adjacent shaded areas represent bounds of the claimed design while other broken lines are directed to environment and are for illustrative purposes only; broken lines form no part of the claimed design.

1 Claim, 7 Drawing Sheets



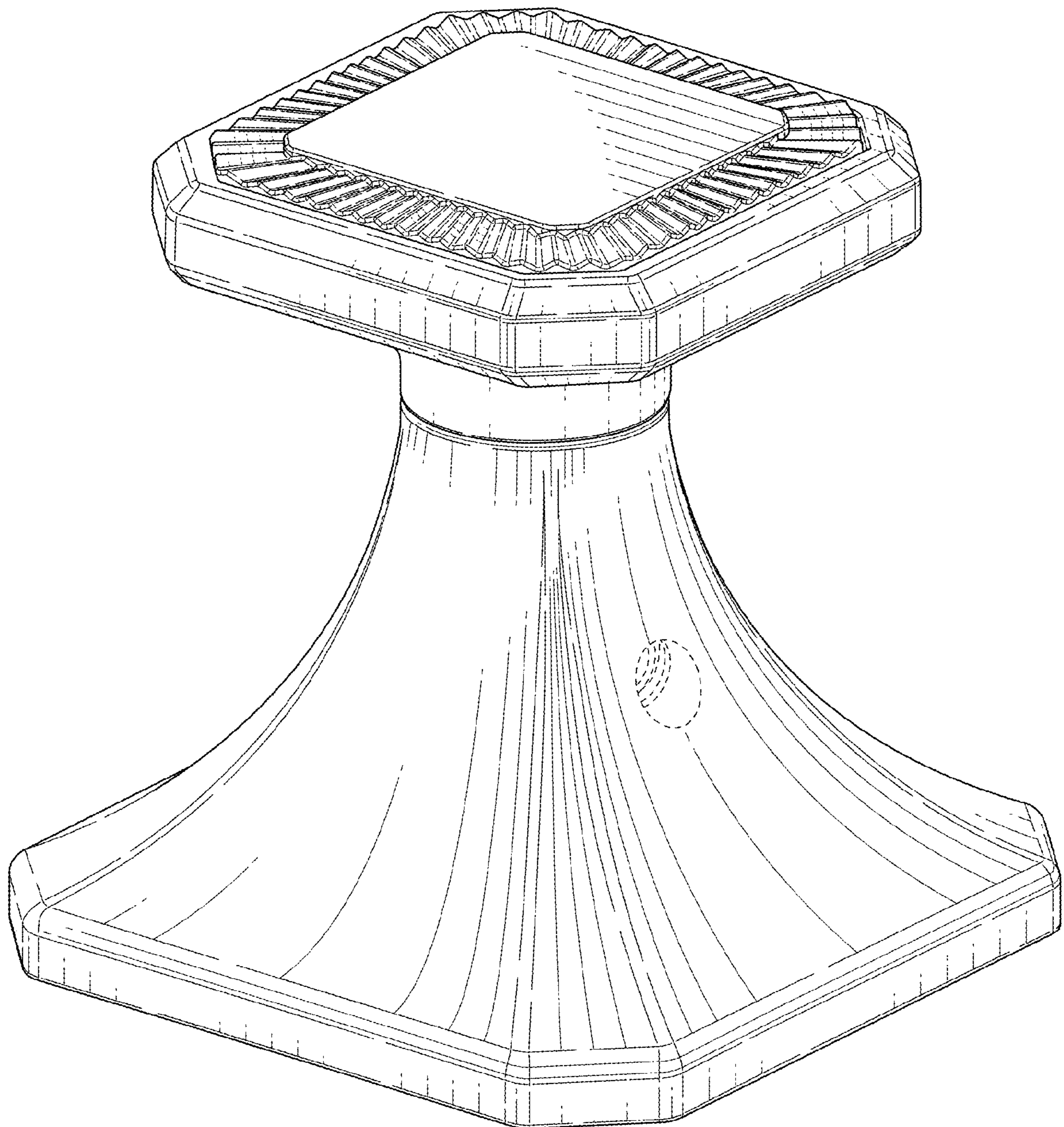


FIG. 1

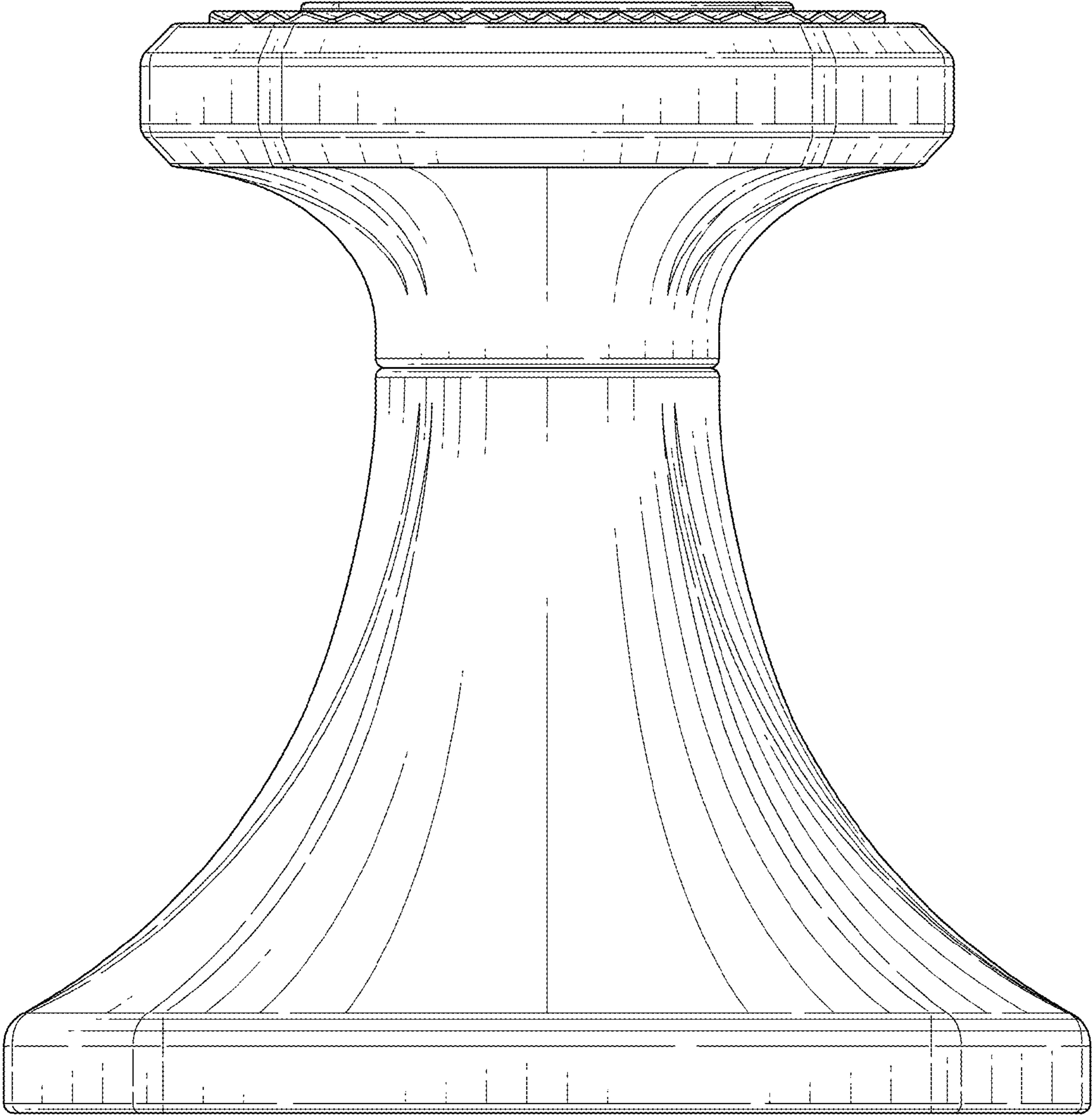


FIG. 2

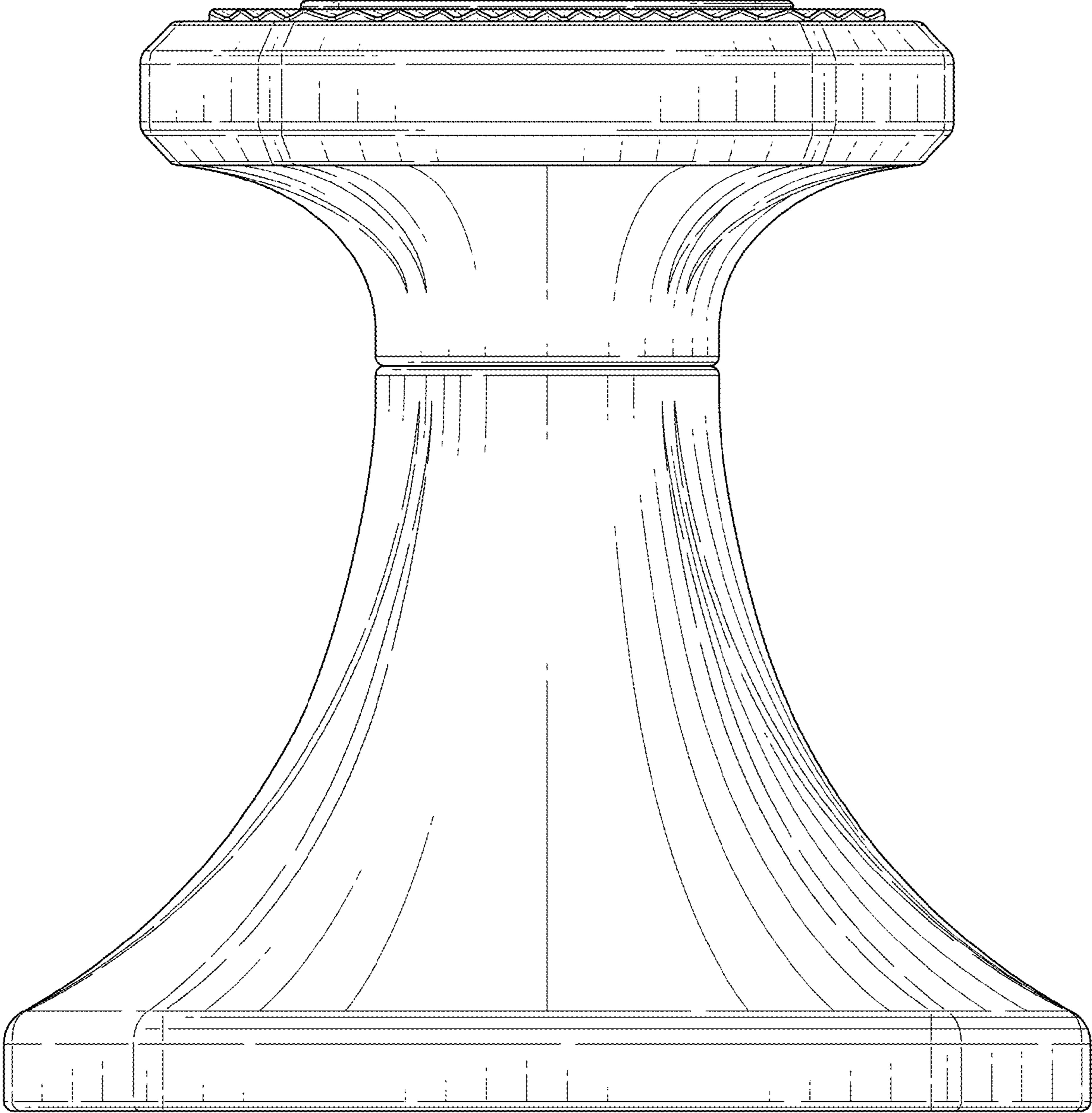


FIG. 3

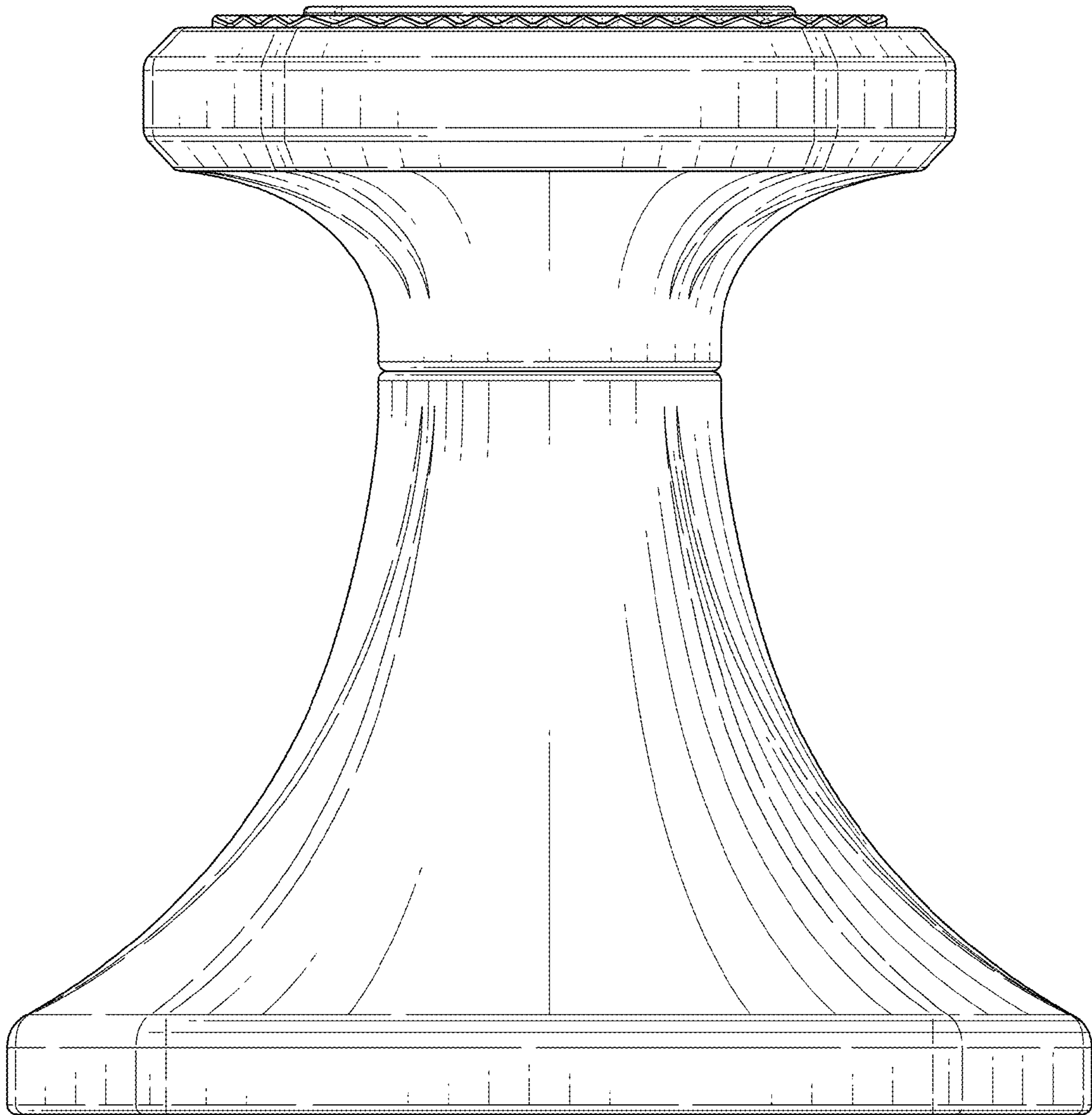


FIG. 4

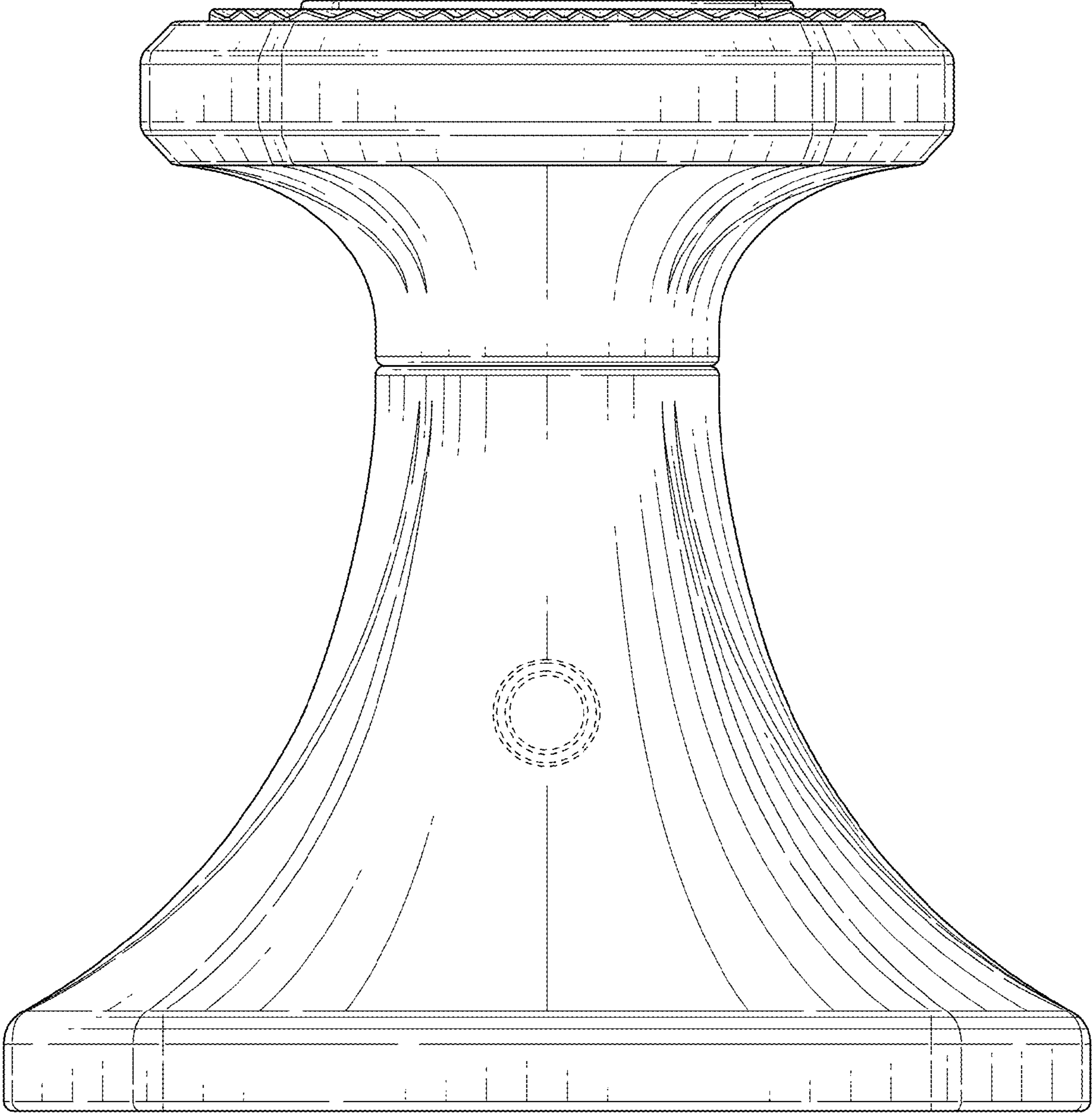


FIG. 5

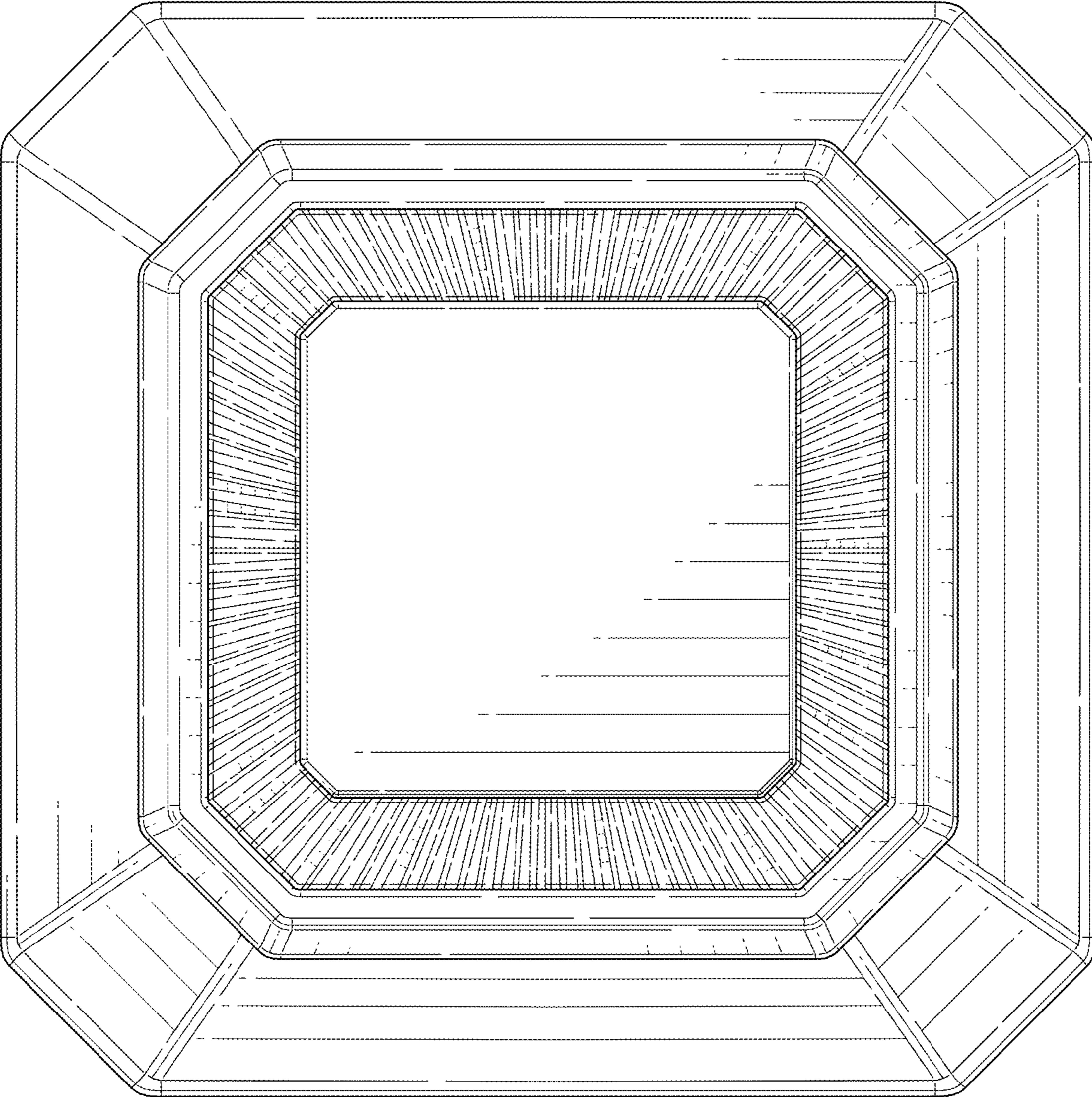


FIG. 6

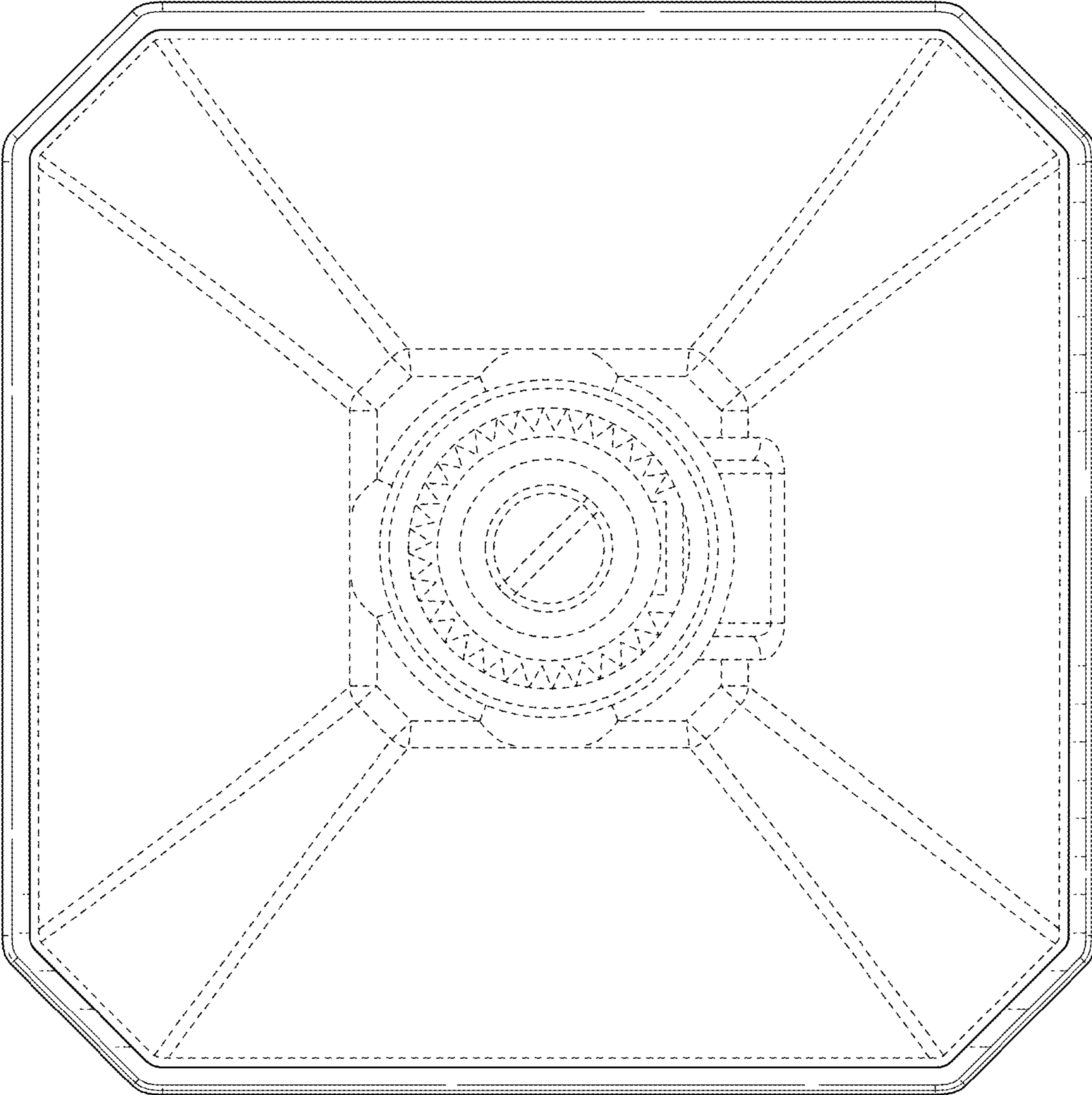


FIG. 7