



US00D917015S

(12) **United States Design Patent**  
**Harrap et al.**

(10) **Patent No.:** **US D917,015 S**

(45) **Date of Patent:** **\*\* Apr. 20, 2021**

(54) <b>VALVE</b>	8,733,666 B2 *	5/2014	Beagen	.....	F16K 31/002	236/12.11
(71) Applicant: <b>Reliance Worldwide Corporation (Aust.) Pty. Ltd., Melbourne (AU)</b>	10,352,463 B2 *	7/2019	Forrestal	.....	G05D 23/1346	
(72) Inventors: <b>Greg Harrap, Melbourne (AU); Gary Hay, Melbourne (AU)</b>	2010/0123015 A1 *	5/2010	Beagen	.....	G05D 23/1346	236/12.2
	2011/0089249 A1 *	4/2011	Johnson	.....	G05D 23/1346	236/12.14

\* cited by examiner

(73) Assignee: **RELIANCE WORLDWIDE CORPORATION (AUST.) PTY. LTD., Melbourne (AU)**

*Primary Examiner* — Gino Colan

(\*\*) Term: **15 Years**

(74) *Attorney, Agent, or Firm* — Stetina Brunda Garred & Brucker

(21) Appl. No.: **29/662,452**

(57) **CLAIM**

(22) Filed: **Sep. 5, 2018**

The ornamental design for a valve, as shown and described.

(51) **LOC (13) Cl.** ..... **23-01**

(52) **U.S. Cl.**  
USPC ..... **D23/245**

**DESCRIPTION**

(58) **Field of Classification Search**  
USPC ..... D23/233–235, 237, 241–249; 137/625.4, 137/606, 597, 602, 605, 625, 625.14, 898; 251/325  
CPC ..... F16K 31/002; F16K 11/0743; F16K 11/0746; F16K 3/26  
See application file for complete search history.

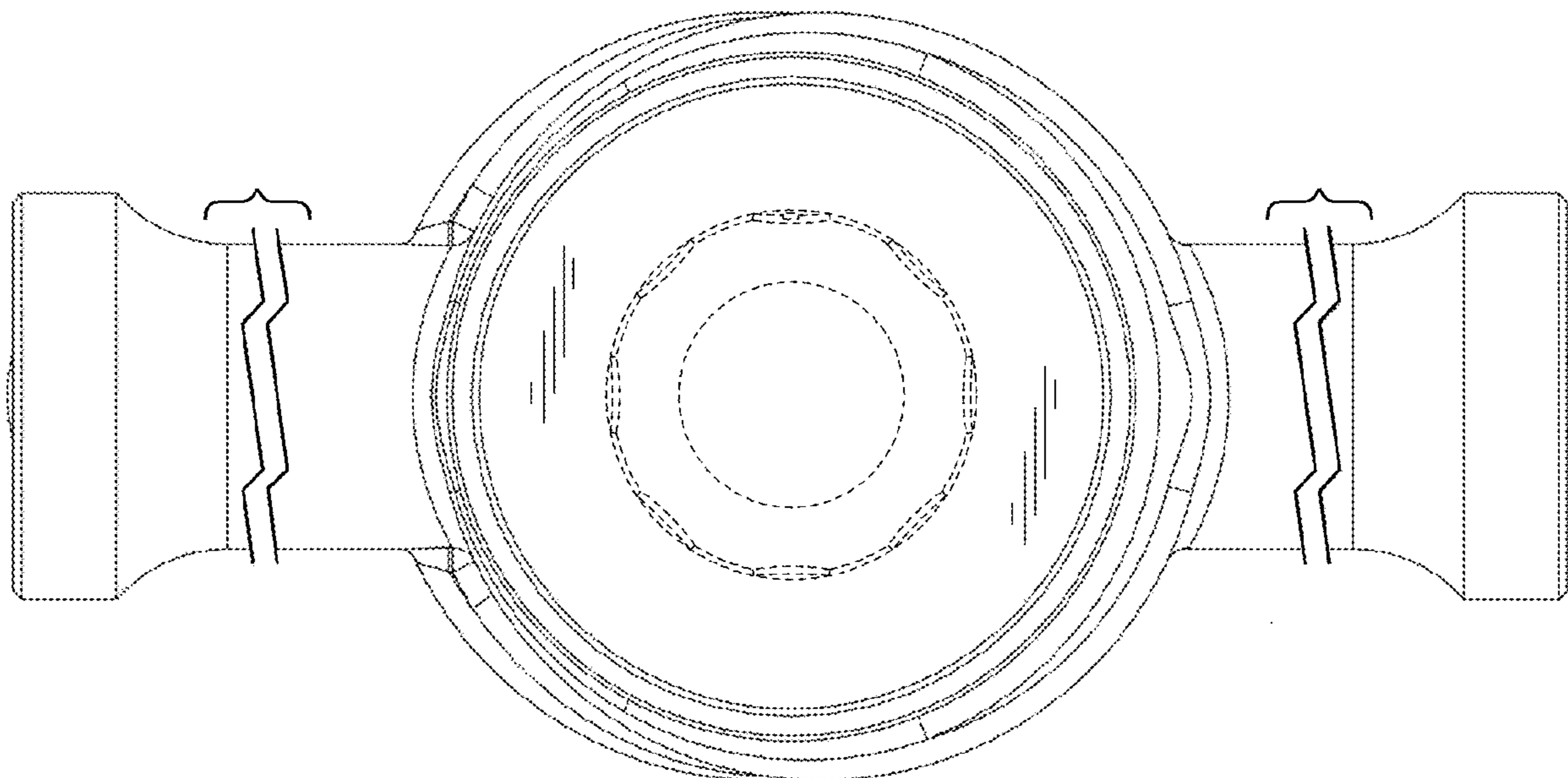
FIG. 1 is a top view of the valve;  
FIG. 2 is bottom view of the valve of FIG. 1;  
FIG. 3 is a left side view of the valve of FIG. 1;  
FIG. 4 is a right-side view of the valve of FIG. 1;  
FIG. 5 is a front view of the valve of FIG. 1; and,  
FIG. 6 is a back view of the valve of FIG. 1.  
The broken lines shown in the figures are for the purpose of illustrating environment and form no part of the claimed design. The valve is shown with symbolic breaks in its length. The appearance of any portion of the article between the break lines form no part of the claimed design.

(56) **References Cited**

**U.S. PATENT DOCUMENTS**

6,315,210 B1 *	11/2001	Kline	.....	G05D 23/134	236/12.2
D700,285 S *	2/2014	Yang	.....	D23/233	

**1 Claim, 6 Drawing Sheets**



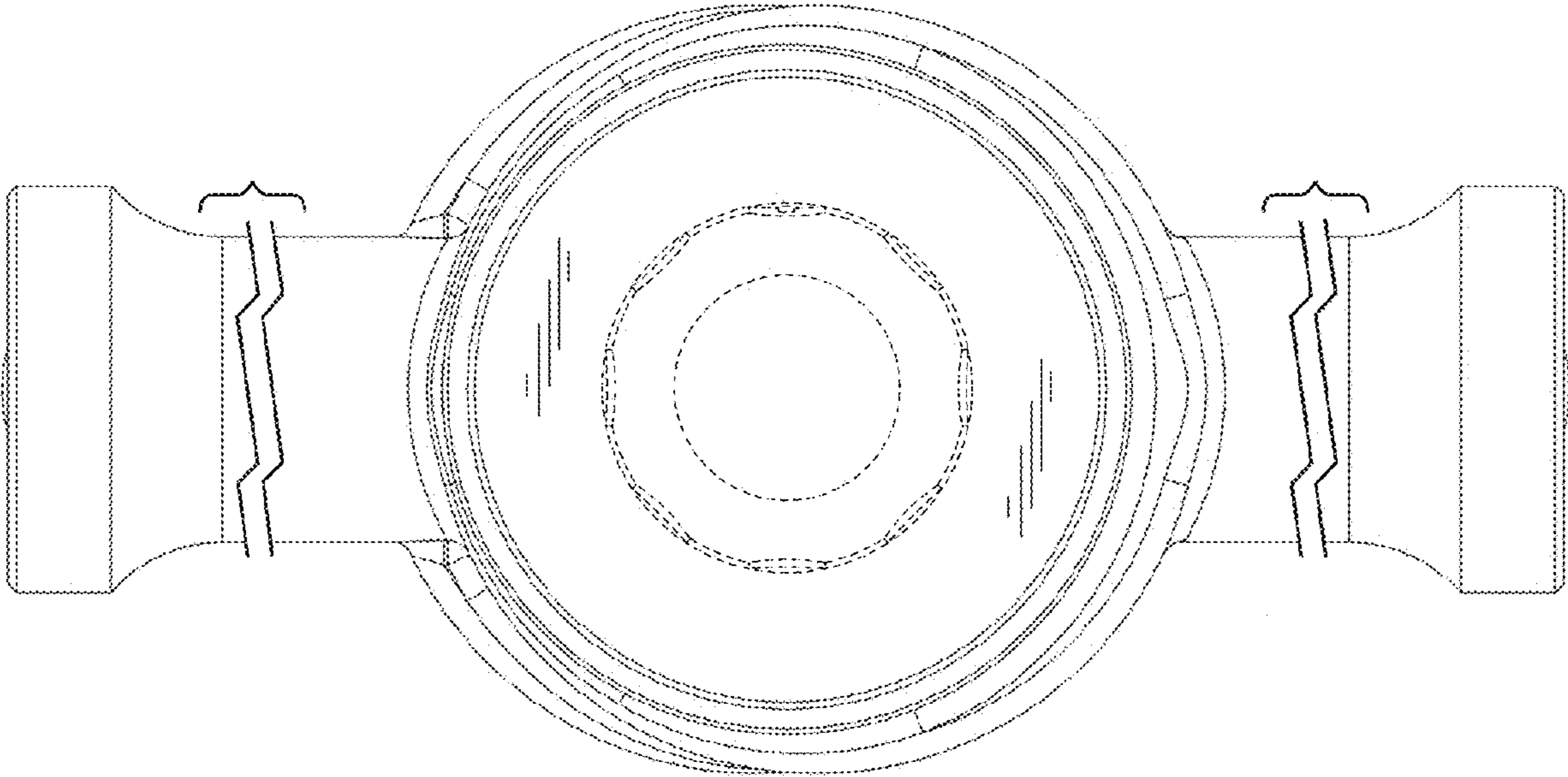


Fig. 1

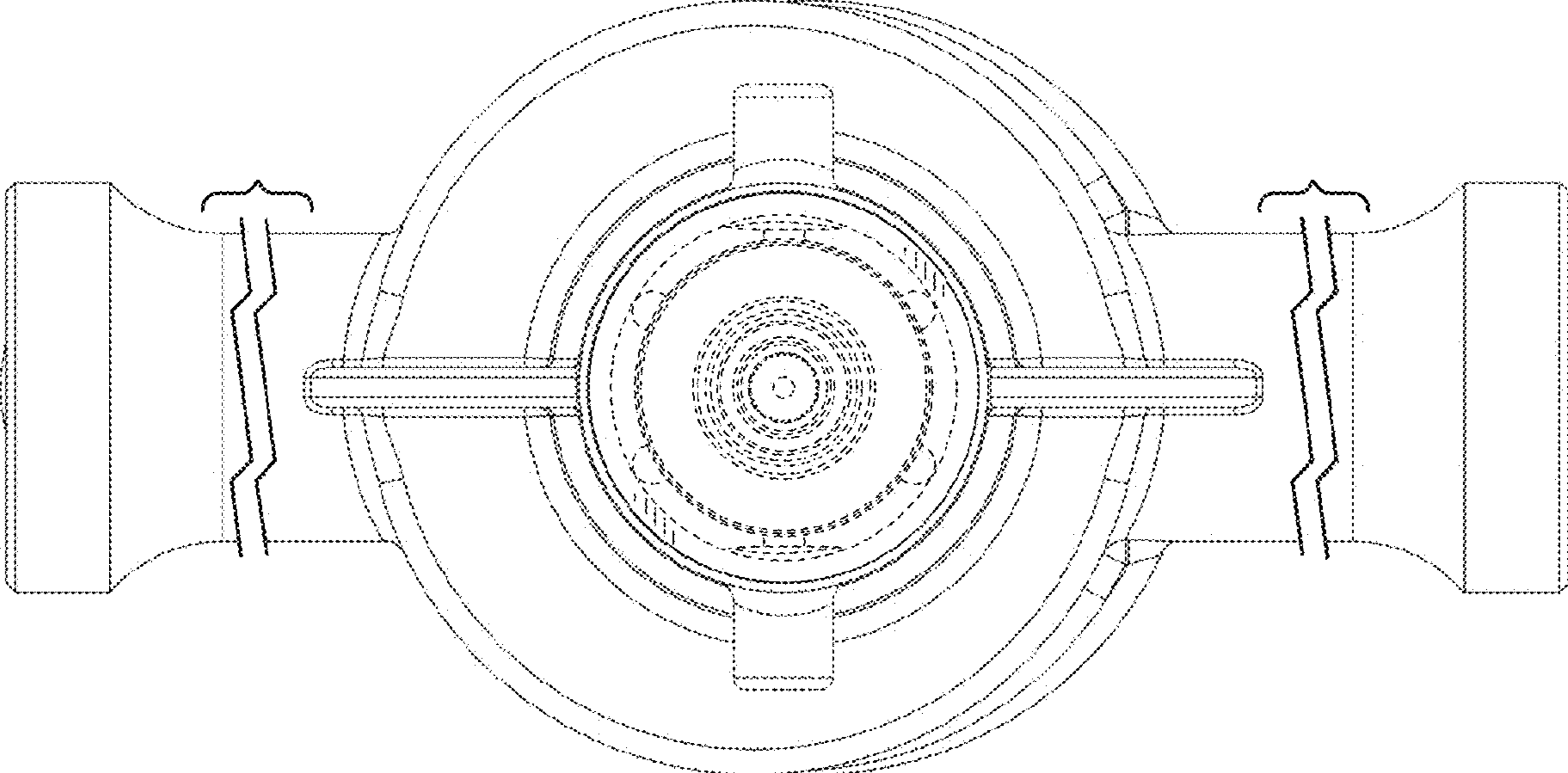


Fig. 2

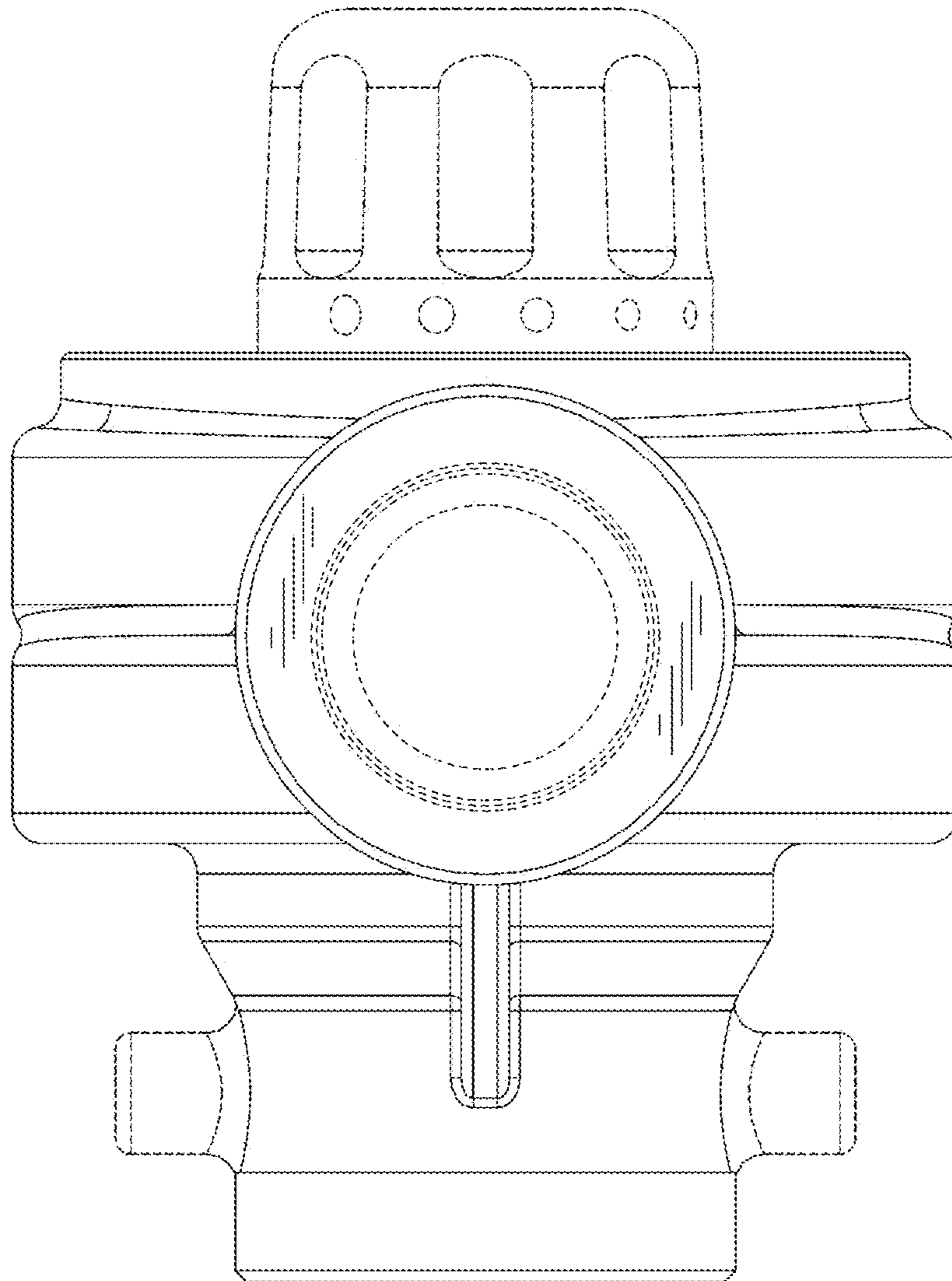


Fig. 3



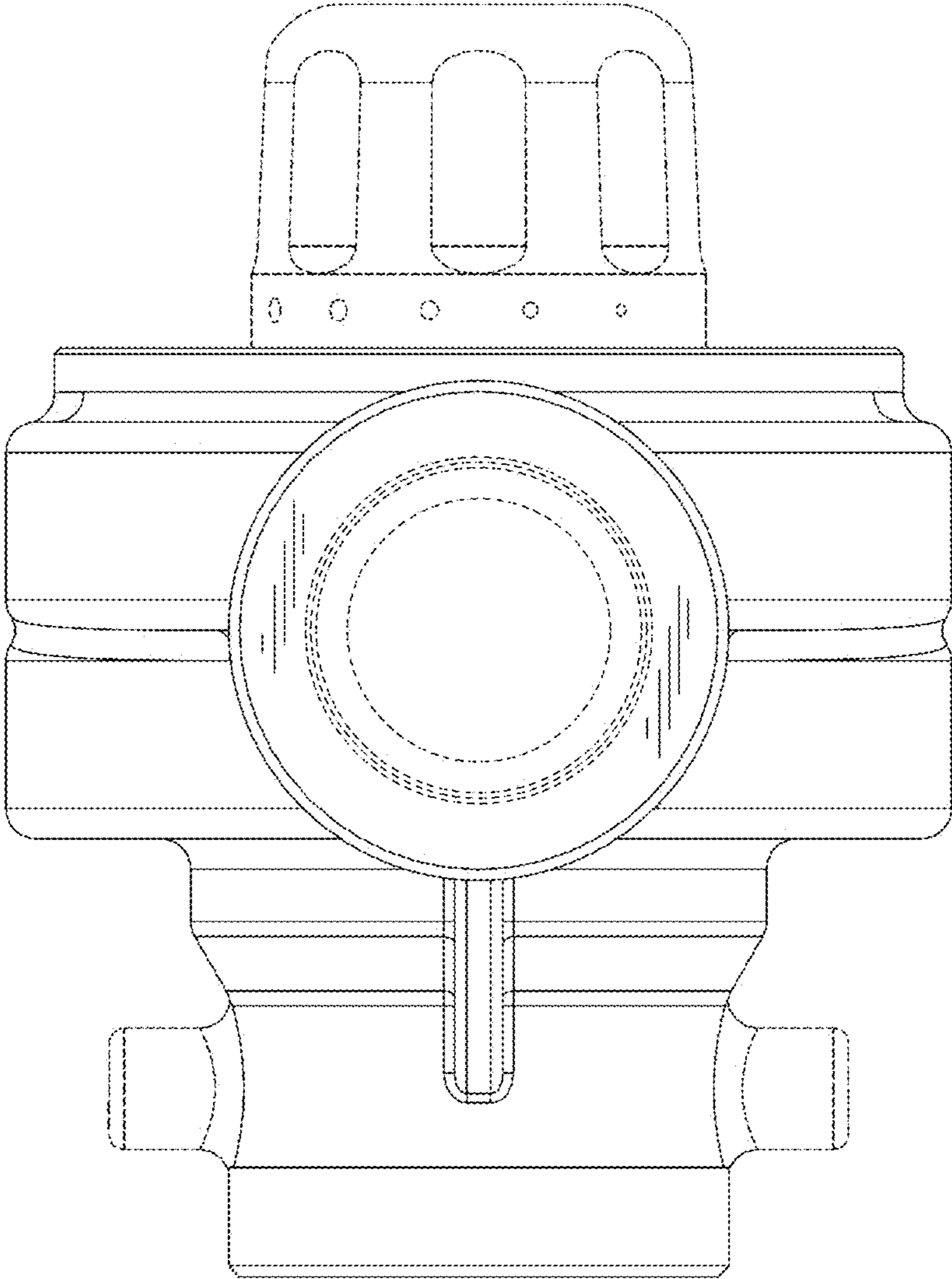


Fig. 4

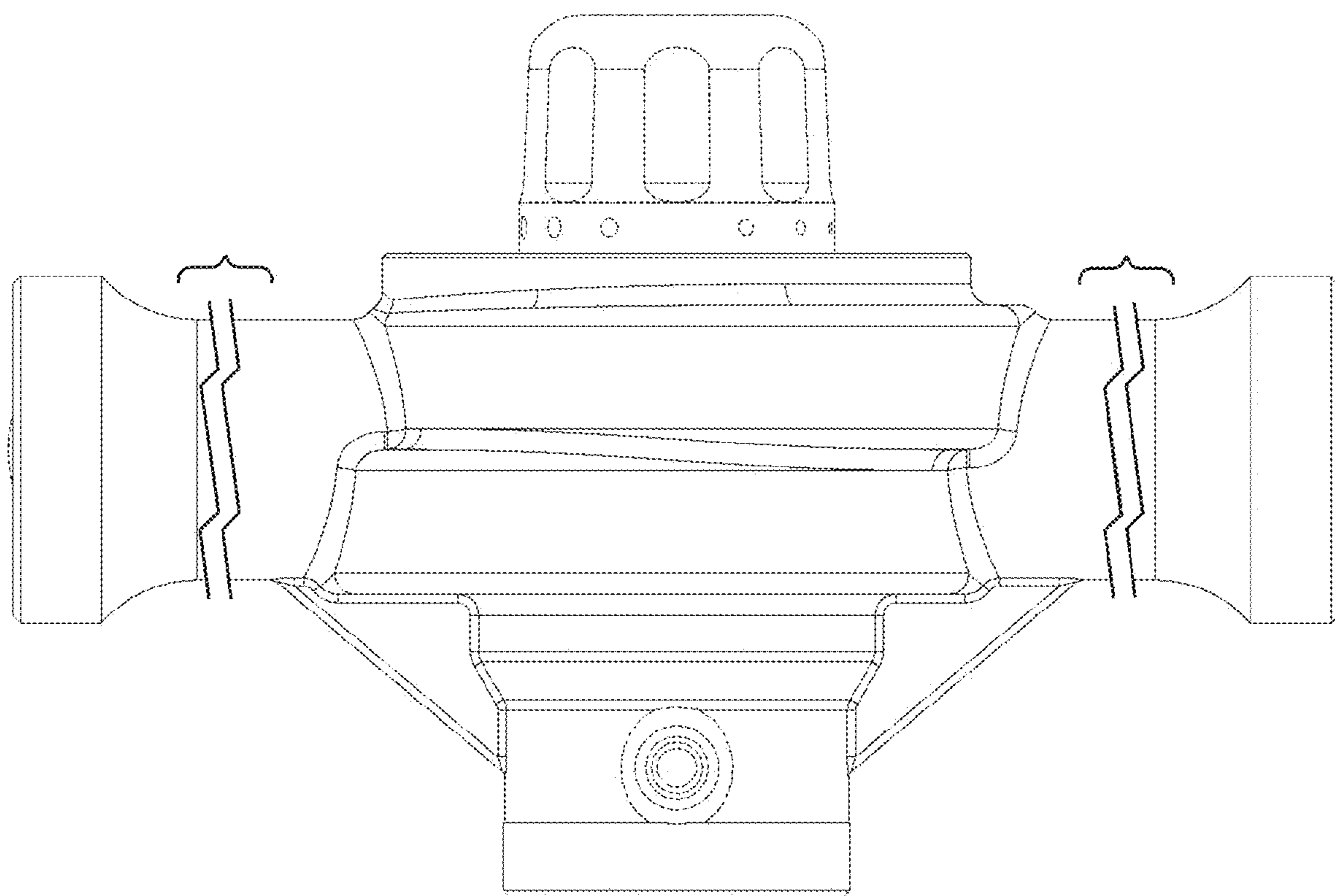


Fig. 5

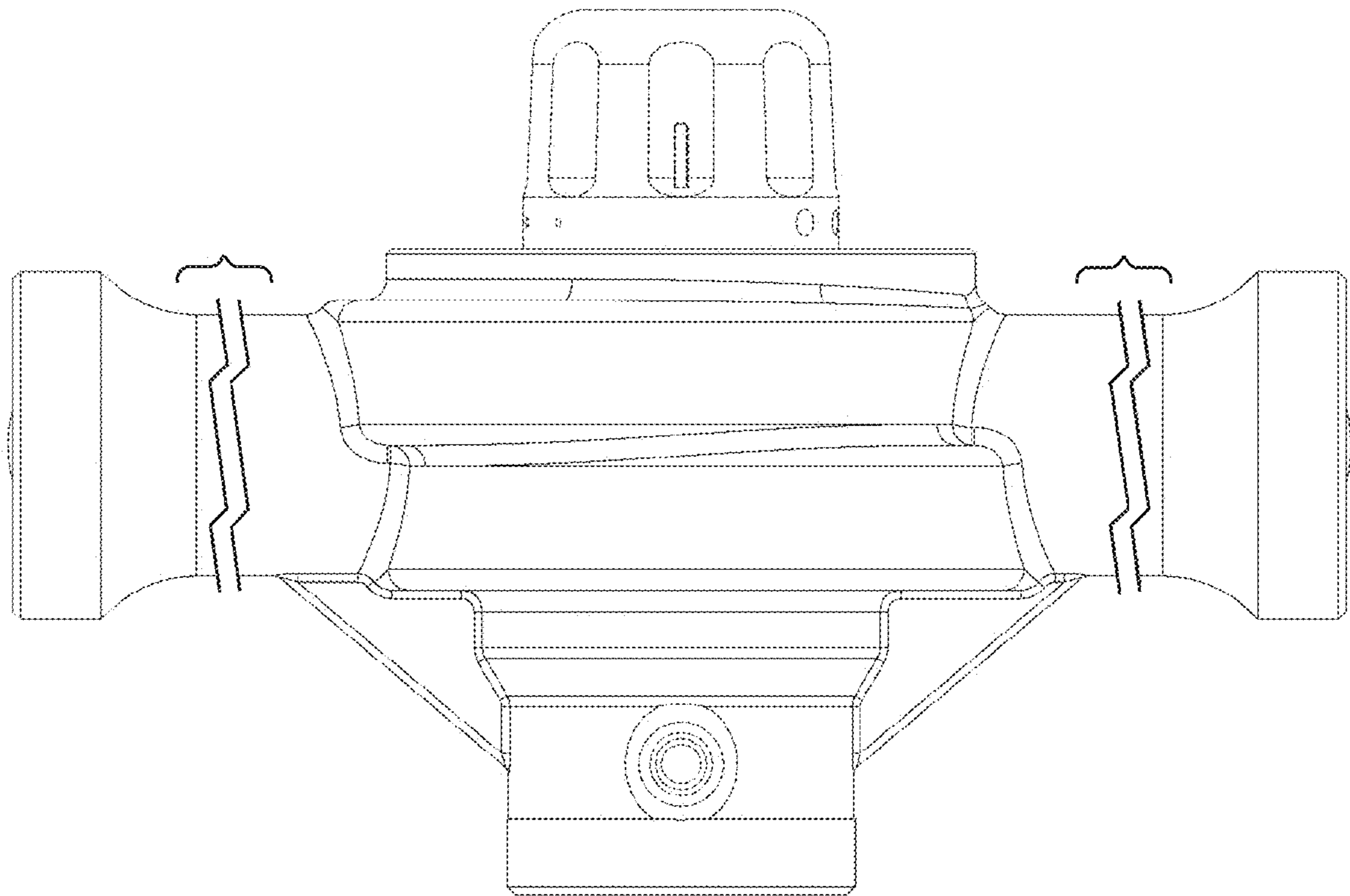


Fig. 6