



US00D917014S

(12) **United States Design Patent**  
**Wang**

(10) **Patent No.:** **US D917,014 S**

(45) **Date of Patent:** **\*\* Apr. 20, 2021**

(54) **KITCHEN FAUCET**

(71) Applicant: **Suwen Wang**, Wenzhou (CN)

(72) Inventor: **Suwen Wang**, Wenzhou (CN)

(\*\*) Term: **15 Years**

(21) Appl. No.: **29/764,585**

(22) Filed: **Dec. 31, 2020**

(51) **LOC (13) Cl.** ..... **23-01**

(52) **U.S. Cl.**  
USPC ..... **D23/238**

(58) **Field of Classification Search**  
USPC ..... D23/238-239, 249, 252, 255, 226;  
D8/307-308

CPC ..... E02C 2001/0415  
See application file for complete search history.

(56) **References Cited**

**U.S. PATENT DOCUMENTS**

D469,508 S	1/2003	Marshall	
D477,052 S	7/2003	Kollmann	
D557,380 S *	12/2007	Shieh	D23/238
D615,626 S *	5/2010	Tippens	D23/252
D786,404 S *	5/2017	Kaule	D23/238
9,683,353 B2 *	6/2017	Myers	E03C 1/0404

D835,238 S *	12/2018	Ziemann	D23/238
D849,201 S *	5/2019	Zhang	D23/238
D862,652 S *	10/2019	Zeng	D23/238
D867,535 S *	11/2019	Chen	D23/238
D871,546 S *	12/2019	Bahler	D23/238

\* cited by examiner

*Primary Examiner* — Robert A Delehanty

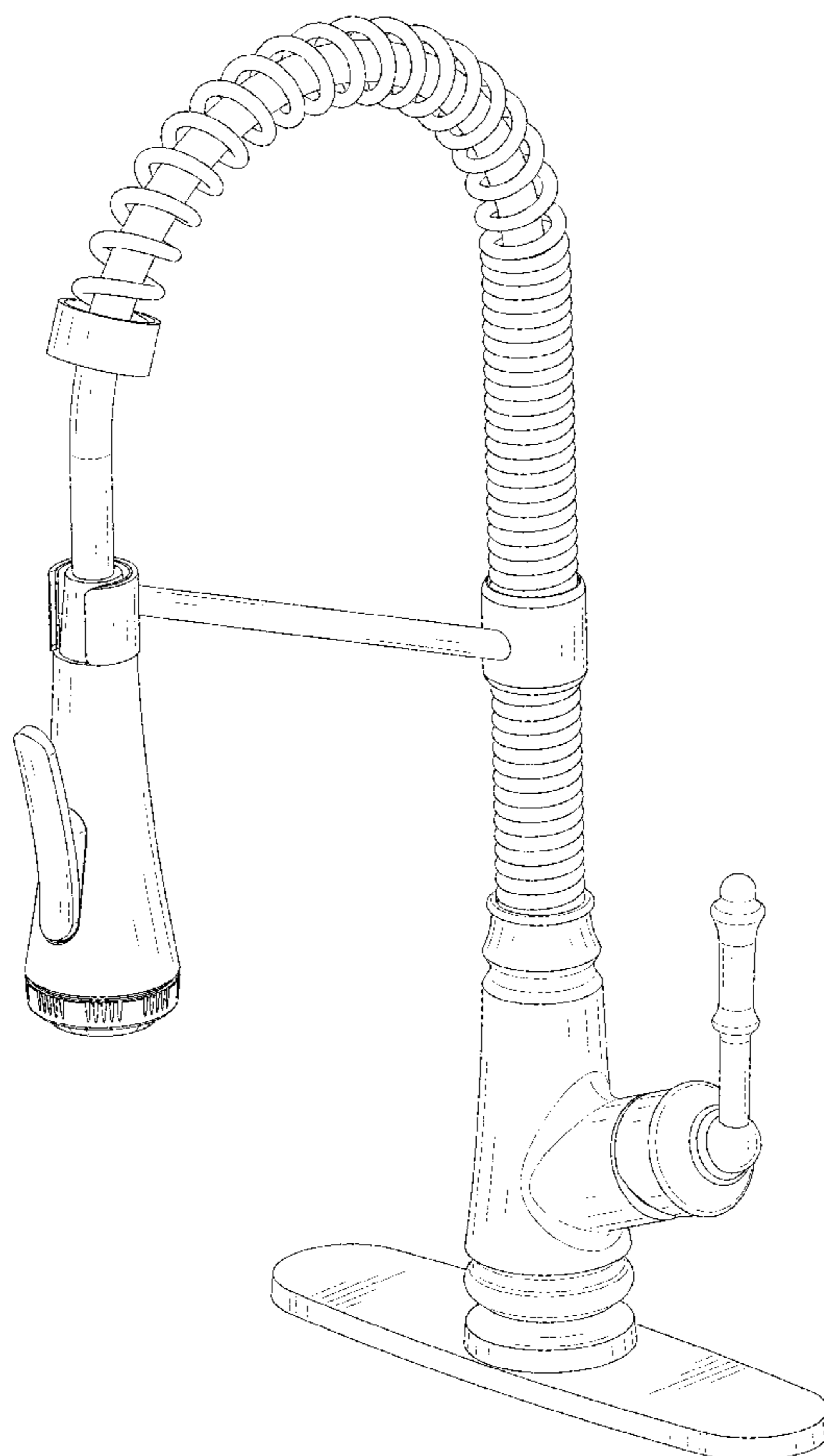
(57) **CLAIM**

The ornamental design for a kitchen faucet, as shown and described.

**DESCRIPTION**

FIG. 1 is a perspective view of a kitchen faucet showing my new design;  
 FIG. 2 is another perspective view thereof;  
 FIG. 3 is a front elevational view thereof;  
 FIG. 4 is a rear elevational view thereof;  
 FIG. 5 is a left side elevational view thereof;  
 FIG. 6 is a right side elevational view thereof;  
 FIG. 7 is a top plan view thereof;  
 FIG. 8 is a bottom plan view thereof;  
 FIG. 9 is an enlarged view of portion 9 shown in FIG. 2; and,  
 FIG. 10 is an enlarged view of portion 10 shown in FIG. 8.  
 The broken lines in the drawings depict portions of the kitchen faucet that form no part of the claimed design.

**1 Claim, 10 Drawing Sheets**



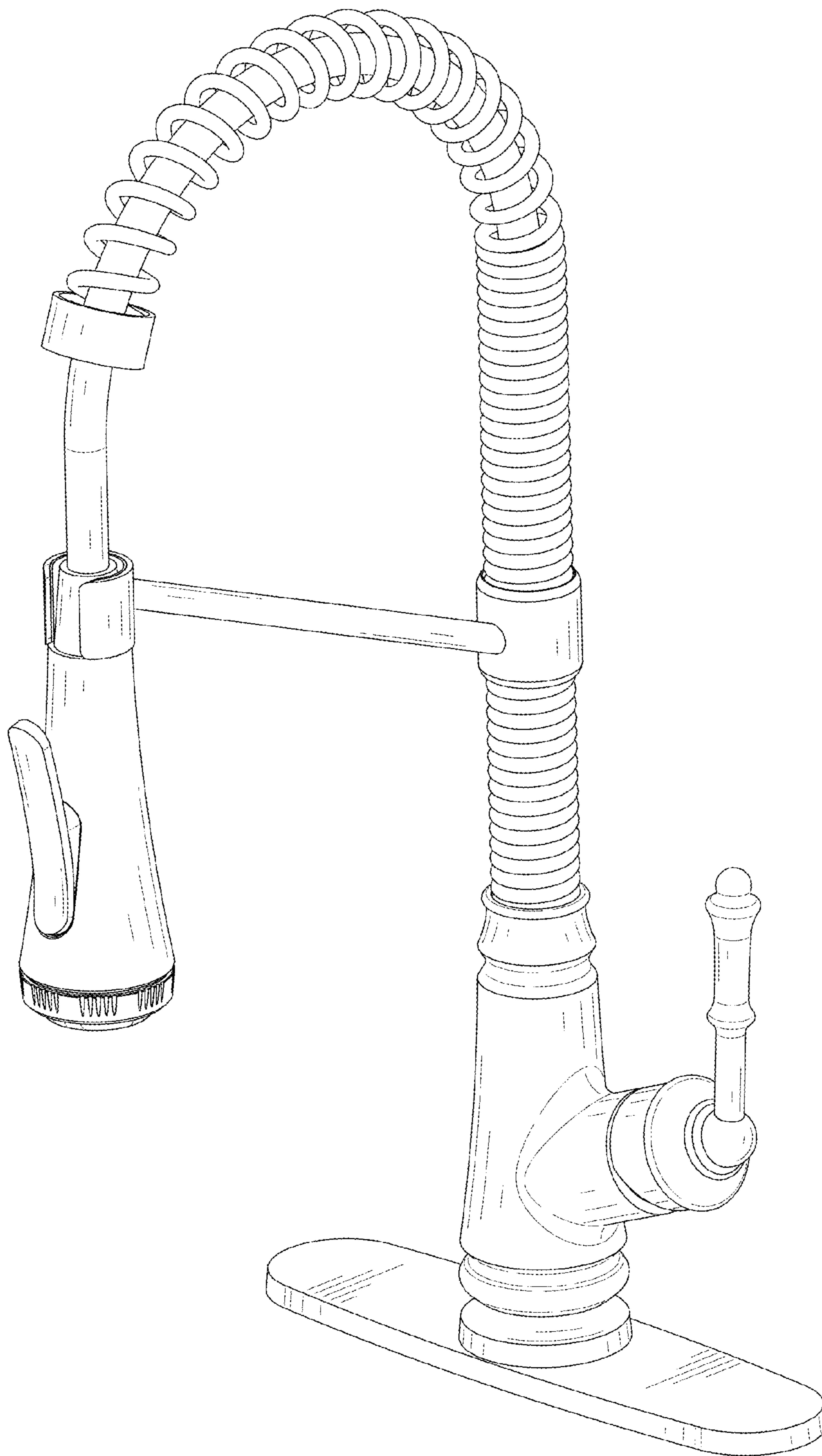


FIG. 1

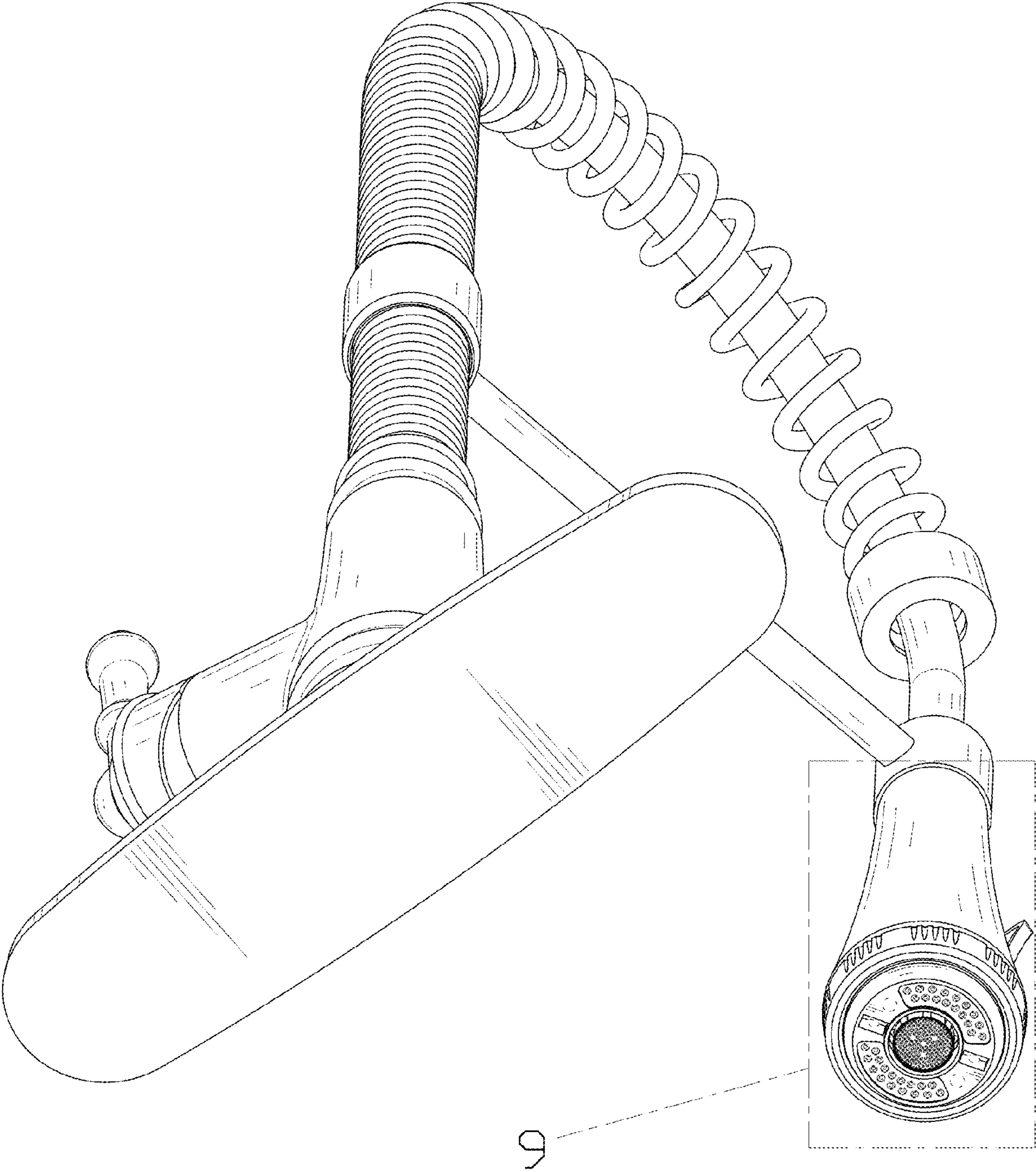


FIG. 2

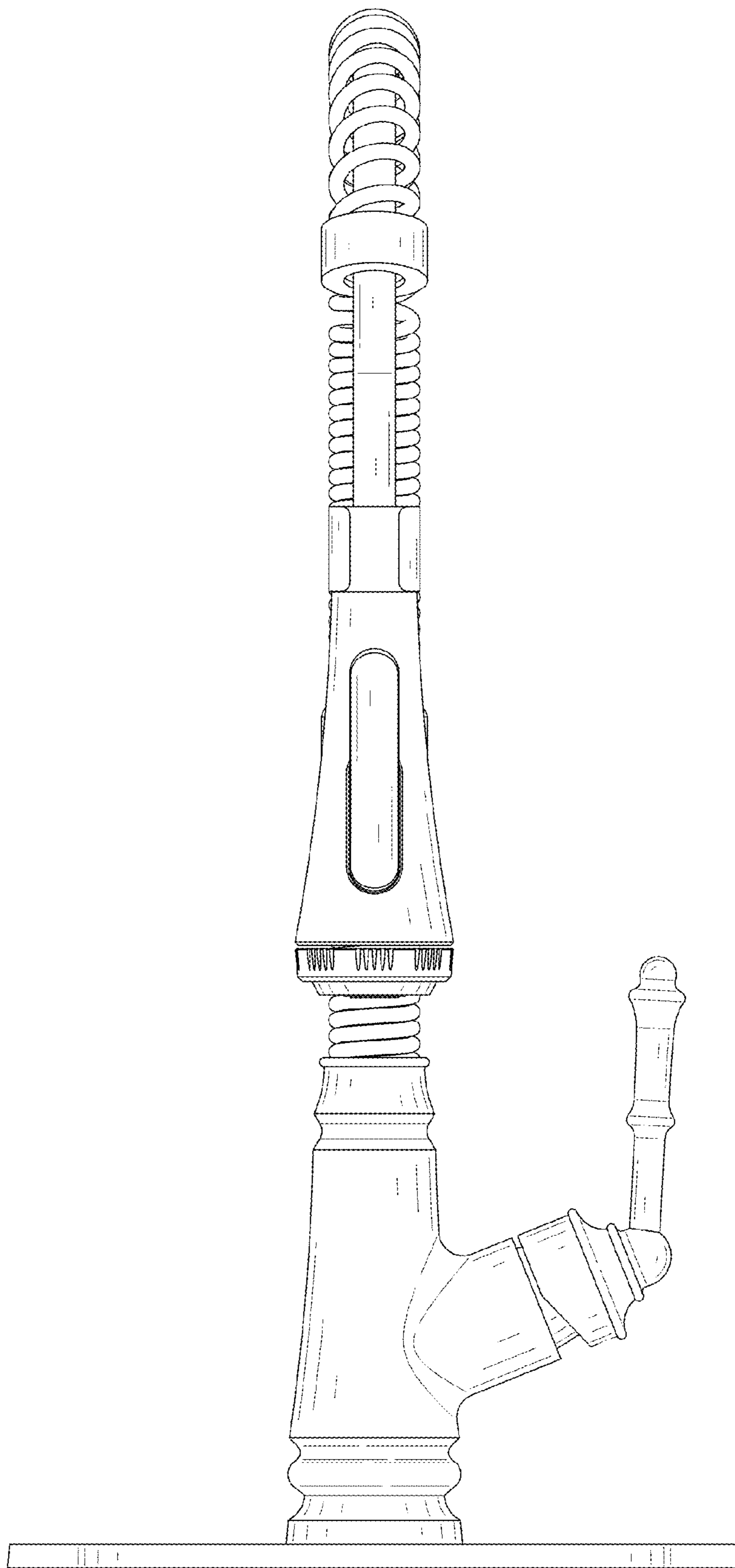


FIG. 3

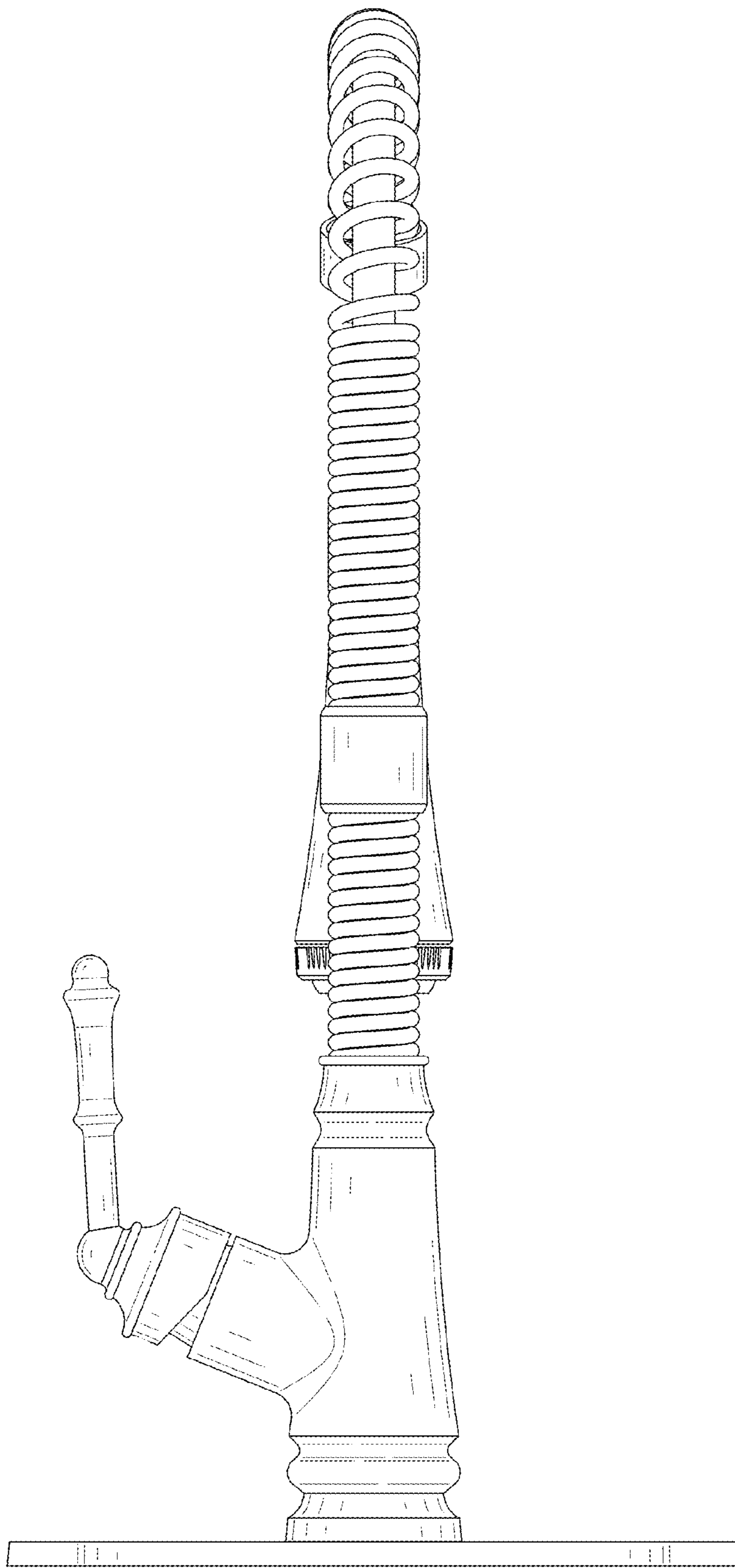


FIG. 4

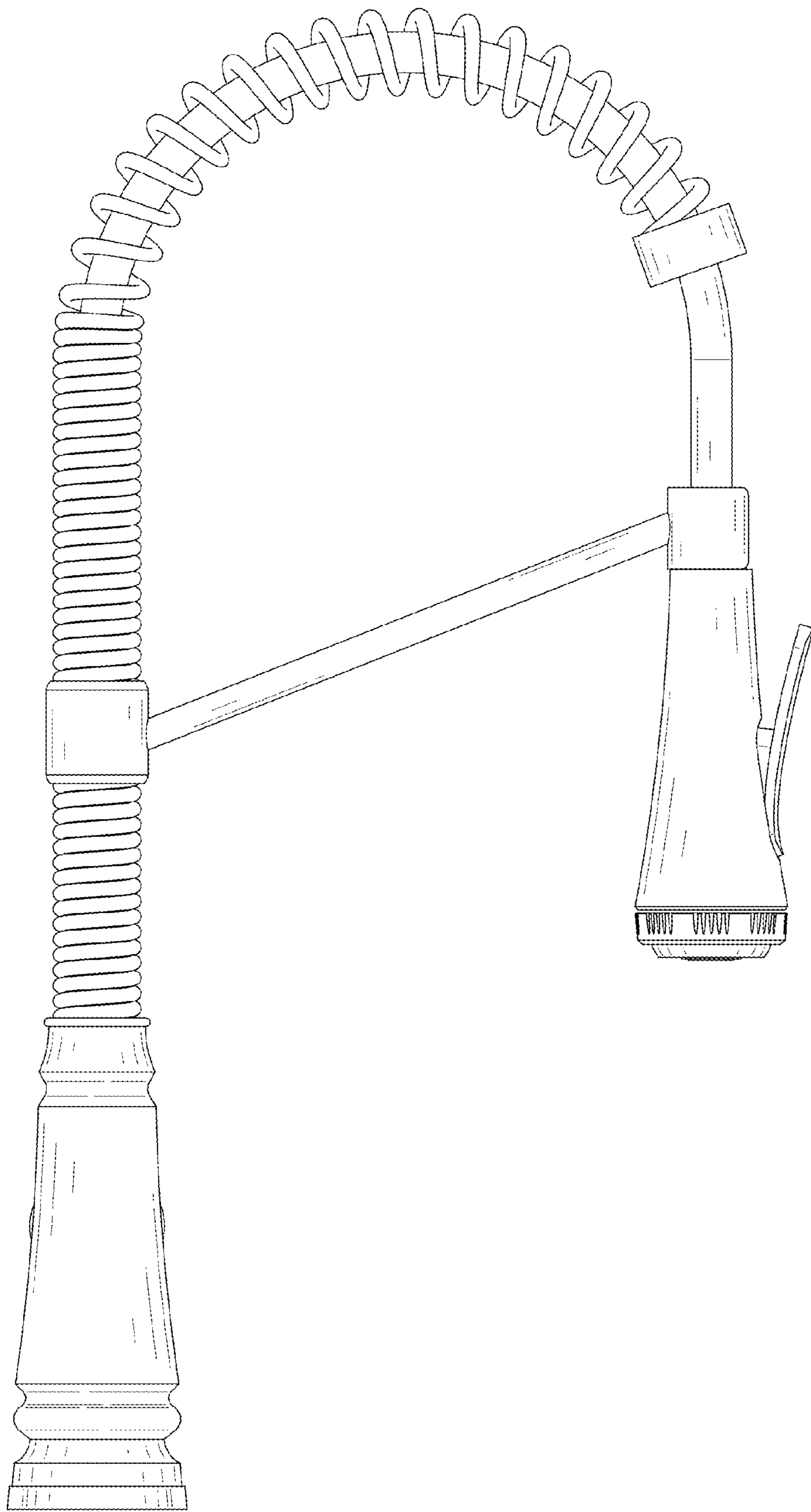


FIG. 5

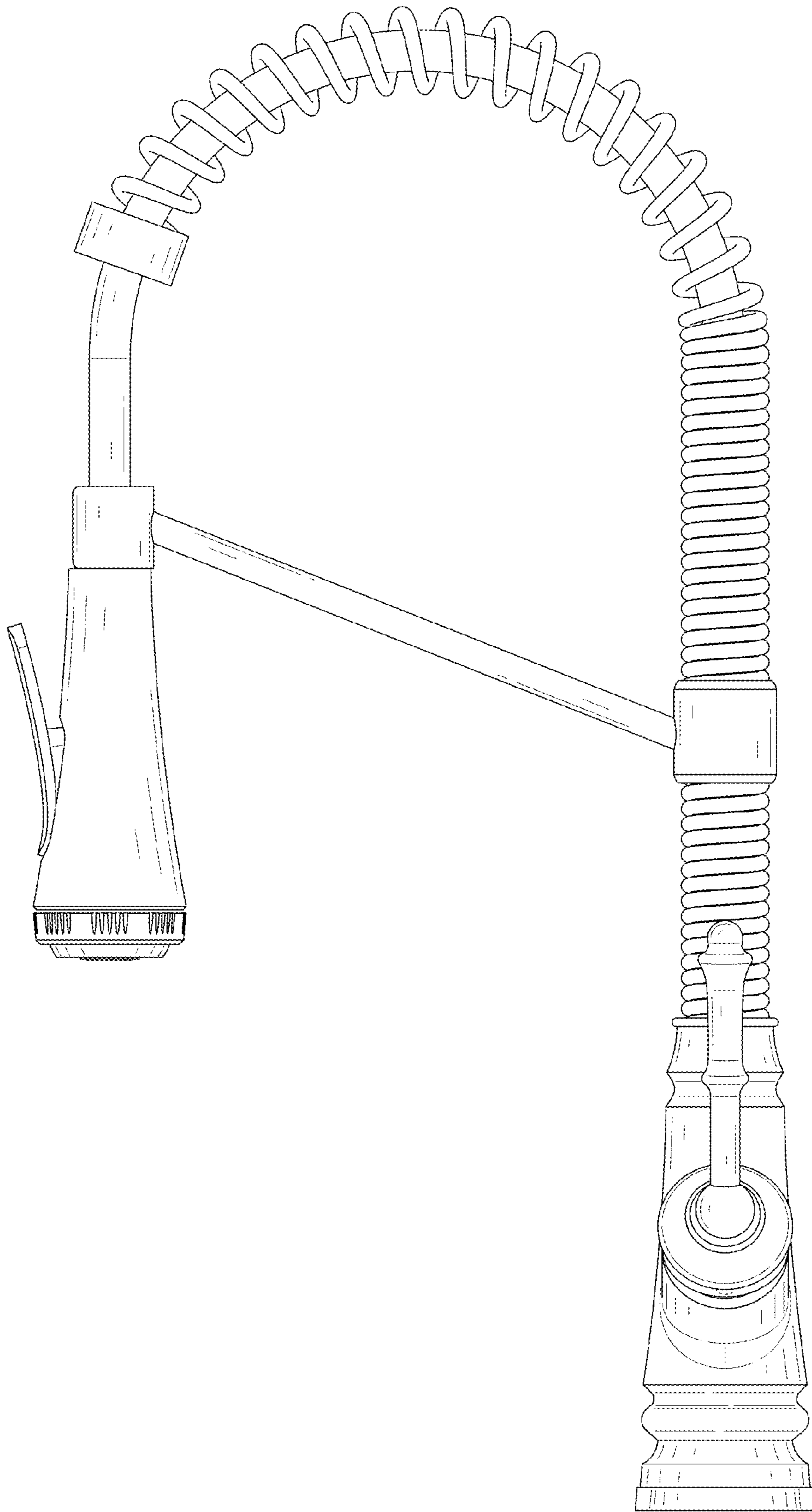


FIG. 6

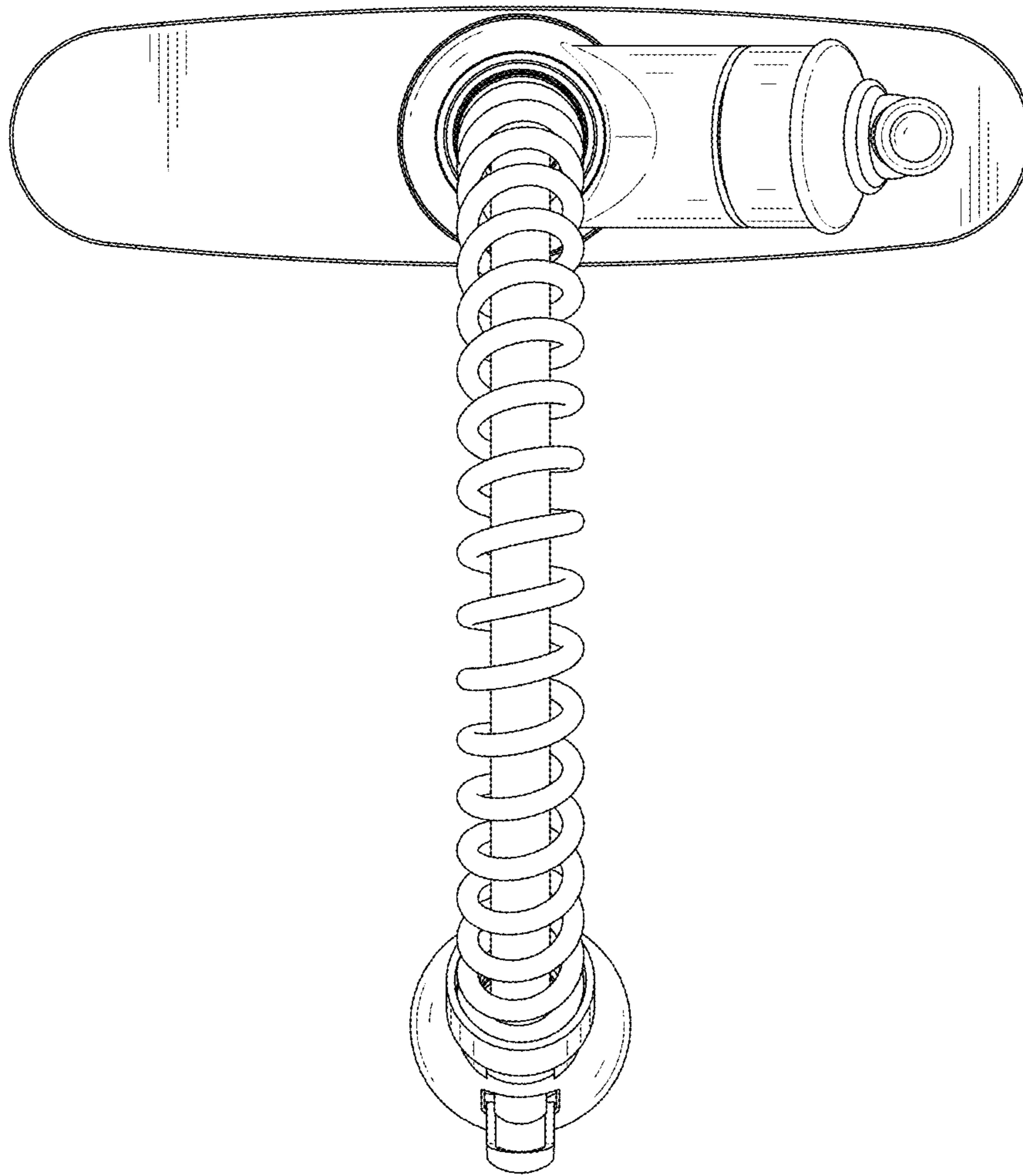


FIG. 7



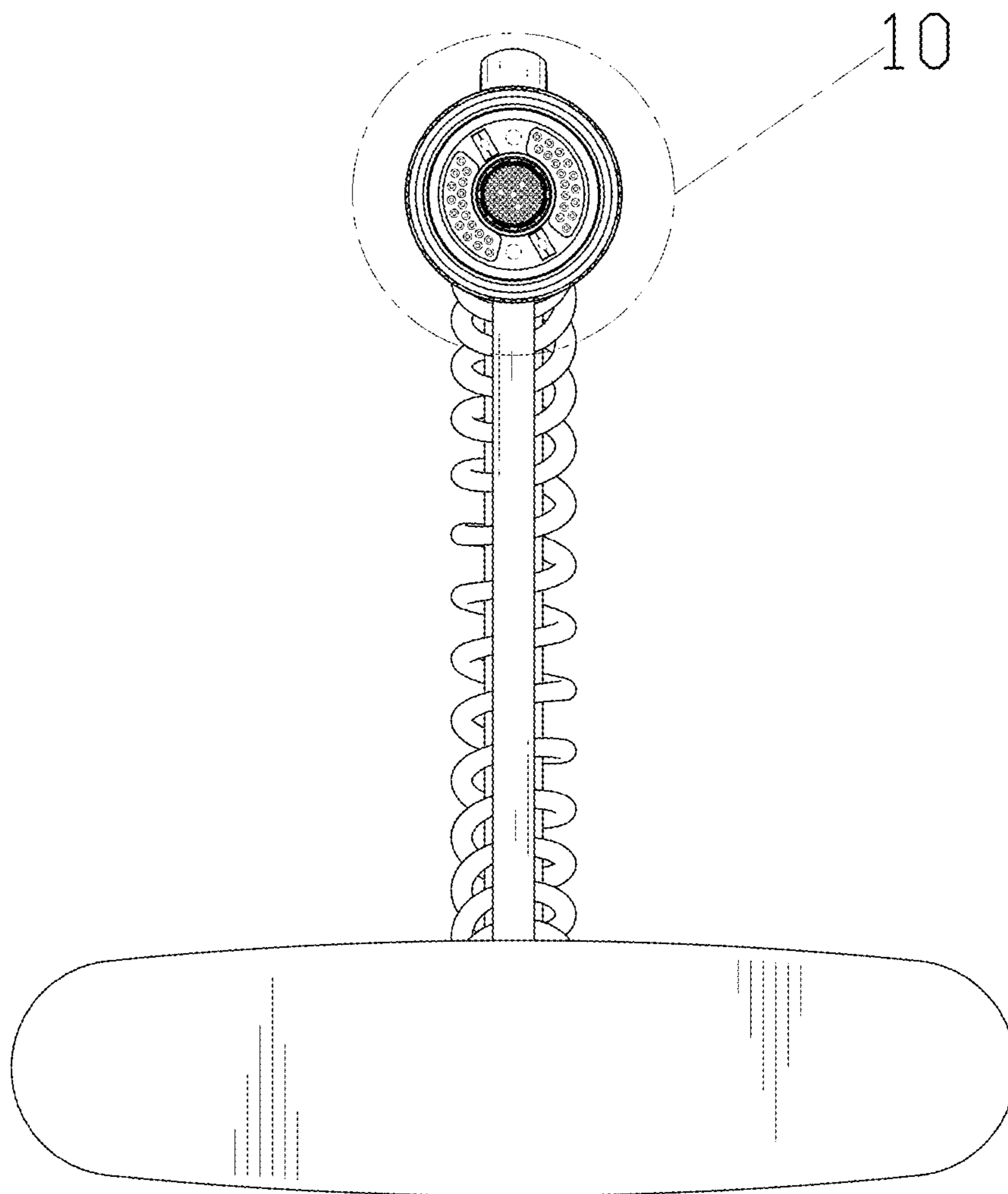


FIG. 8

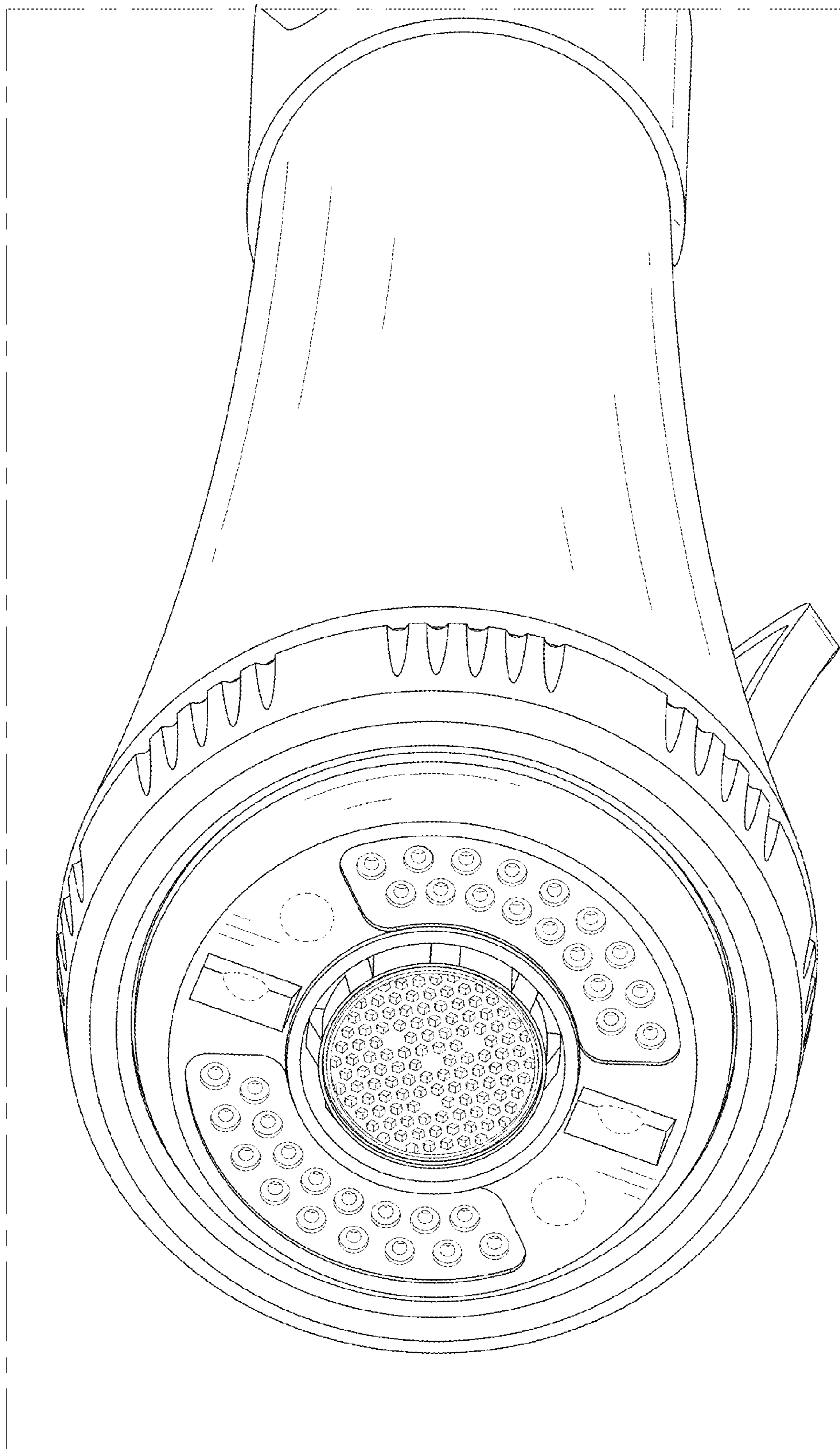


FIG. 9

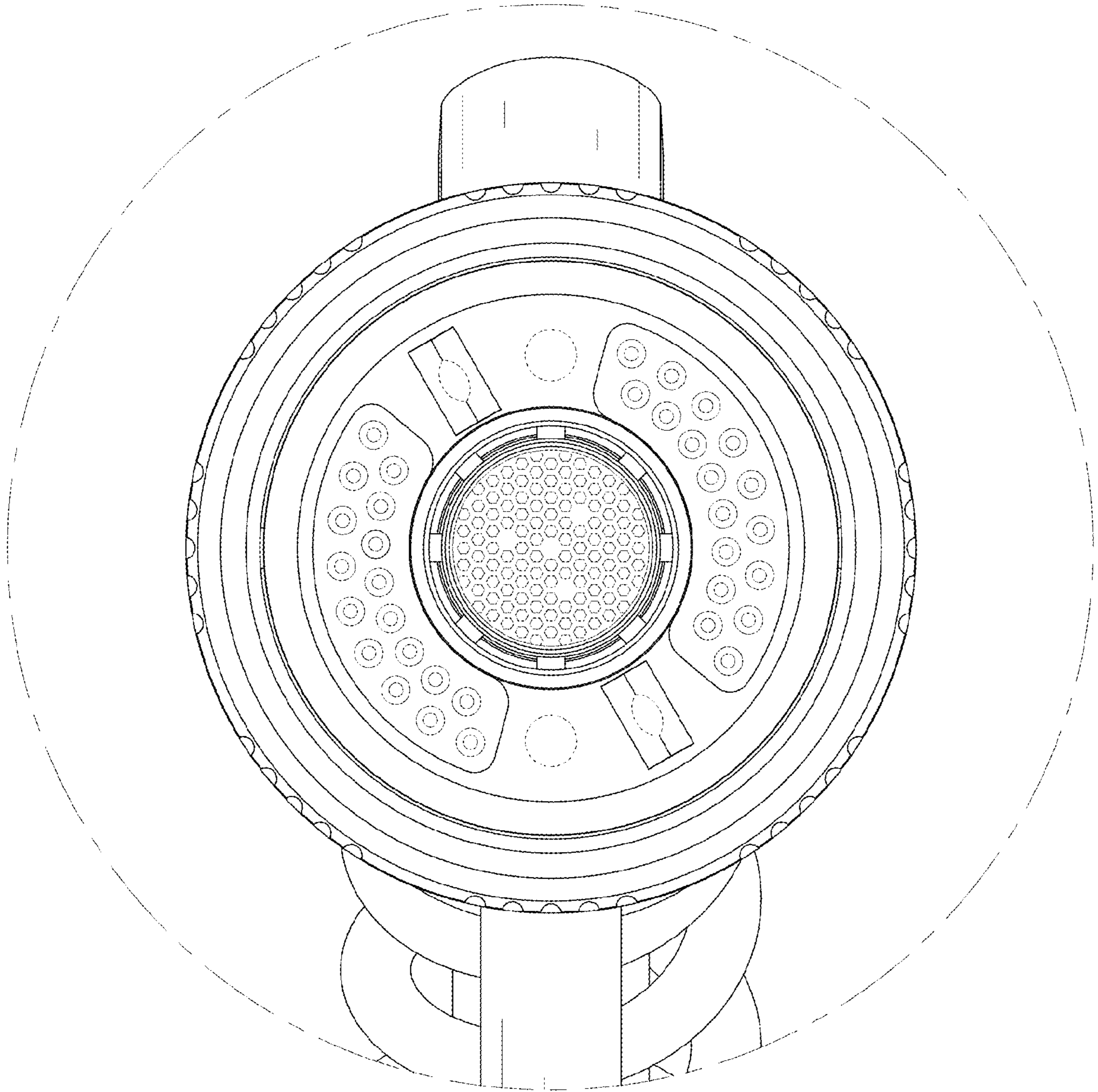


FIG. 10