



US00D917012S

(12) **United States Design Patent**
Iwata

(10) **Patent No.:** **US D917,012 S**

(45) **Date of Patent:** **** Apr. 20, 2021**

(54) **FLUID CONTROL VALVE**

(71) Applicant: **CKD CORPORATION**, Komaki (JP)

(72) Inventor: **Toshio Iwata**, Kasugai (JP)

(73) Assignee: **CKD CORPORATION**, Komaki (JP)

(**) Term: **15 Years**

(21) Appl. No.: **29/713,052**

(22) Filed: **Nov. 13, 2019**

(30) **Foreign Application Priority Data**

May 15, 2019 (JP) 2019-010464

(51) **LOC (13) Cl.** **23-01**

(52) **U.S. Cl.**
USPC **D23/233**

(58) **Field of Classification Search**
USPC D23/233, 249; 251/129.15, 129.01,
251/129.22; 137/884, 597, 606, 625.64,
137/271

CPC F16K 31/0675; F16K 27/029; F16K
31/0658; F16K 31/082; F16K 27/048;
F16K 11/24; H01F 2007/1692

See application file for complete search history.

(56) **References Cited**

U.S. PATENT DOCUMENTS

D753,796 S * 4/2016 Suematsu D23/233
D753,798 S * 4/2016 Suematsu D23/233

D780,295 S * 2/2017 Fujita D23/233
D817,447 S * 5/2018 Mangold D23/233
D817,448 S * 5/2018 Mangold D23/233
D819,173 S * 5/2018 Mangold D23/233

* cited by examiner

Primary Examiner — Gino Colan

(74) *Attorney, Agent, or Firm* — Oliff PLC

(57) **CLAIM**

The ornamental design for a fluid control valve, as shown and described.

DESCRIPTION

FIG. 1 is a top, front, right perspective view of a fluid control valve;

FIG. 2 is a front elevational view thereof, the rear elevational view (not provided) being a mirror image of the front elevational view;

FIG. 3 is a right-side elevational view thereof, the left-side elevational view (not provided) being a mirror image of the right-side elevational view;

FIG. 4 is a top plan view thereof;

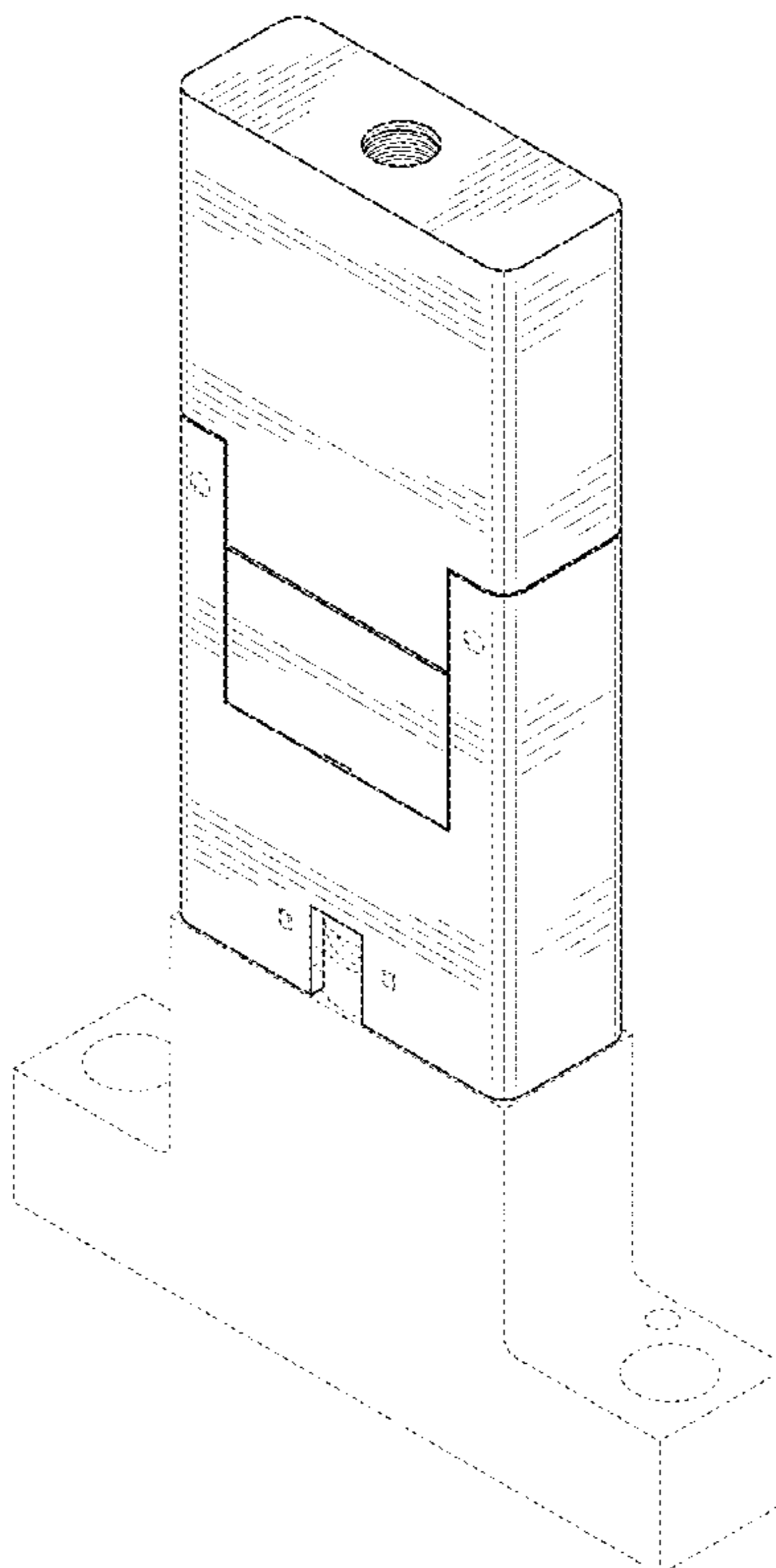
FIG. 5 is a bottom plan view thereof;

FIG. 6 is a view of a cross-section taken along B-B in FIG. 3; and,

FIG. 7 is a view of a cross-section taken along A-A in FIG. 2.

The evenly spaced broken lines depict unclaimed parts of the fluid control valve and form no part of the claimed design.

1 Claim, 6 Drawing Sheets



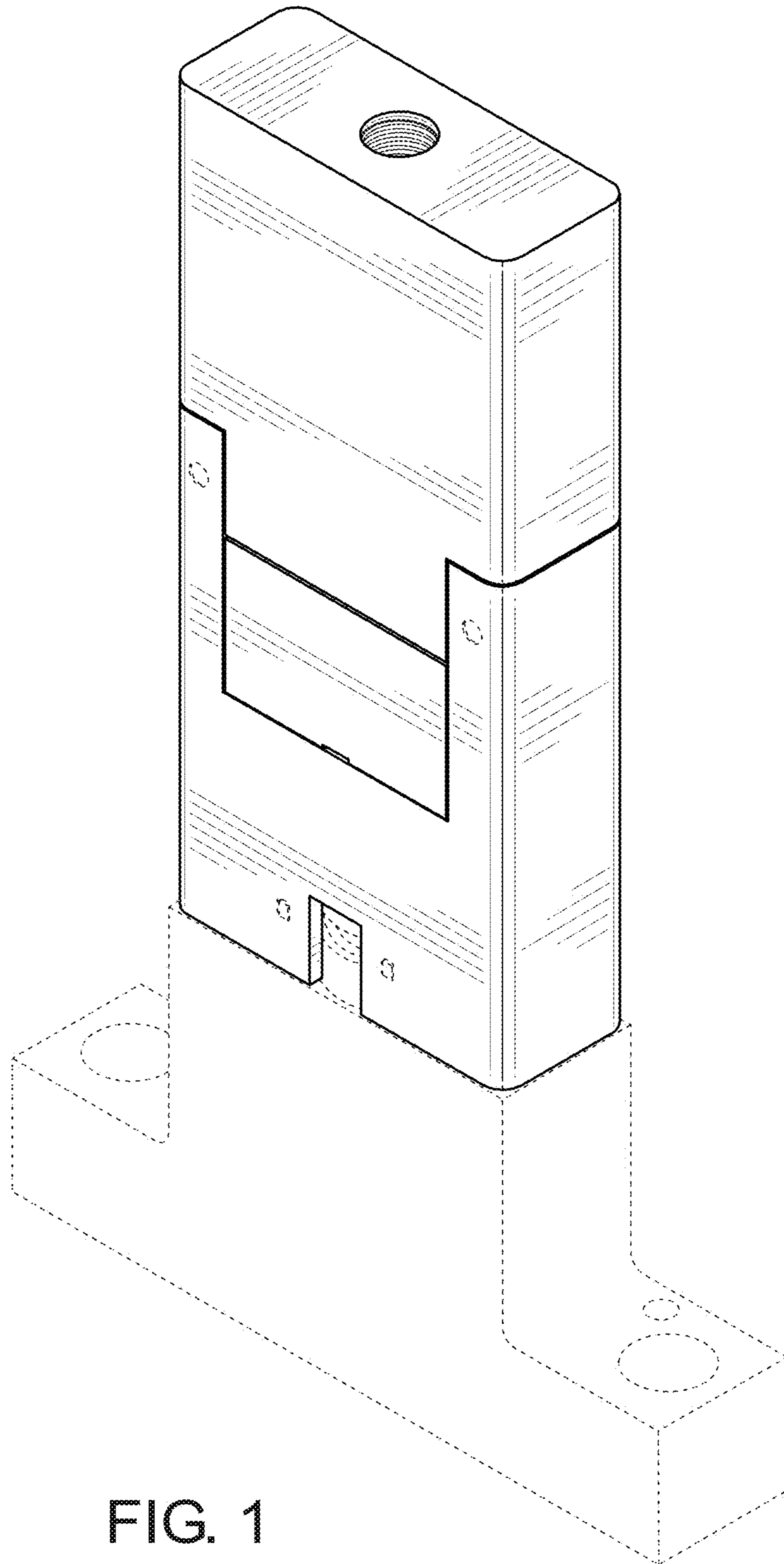


FIG. 1

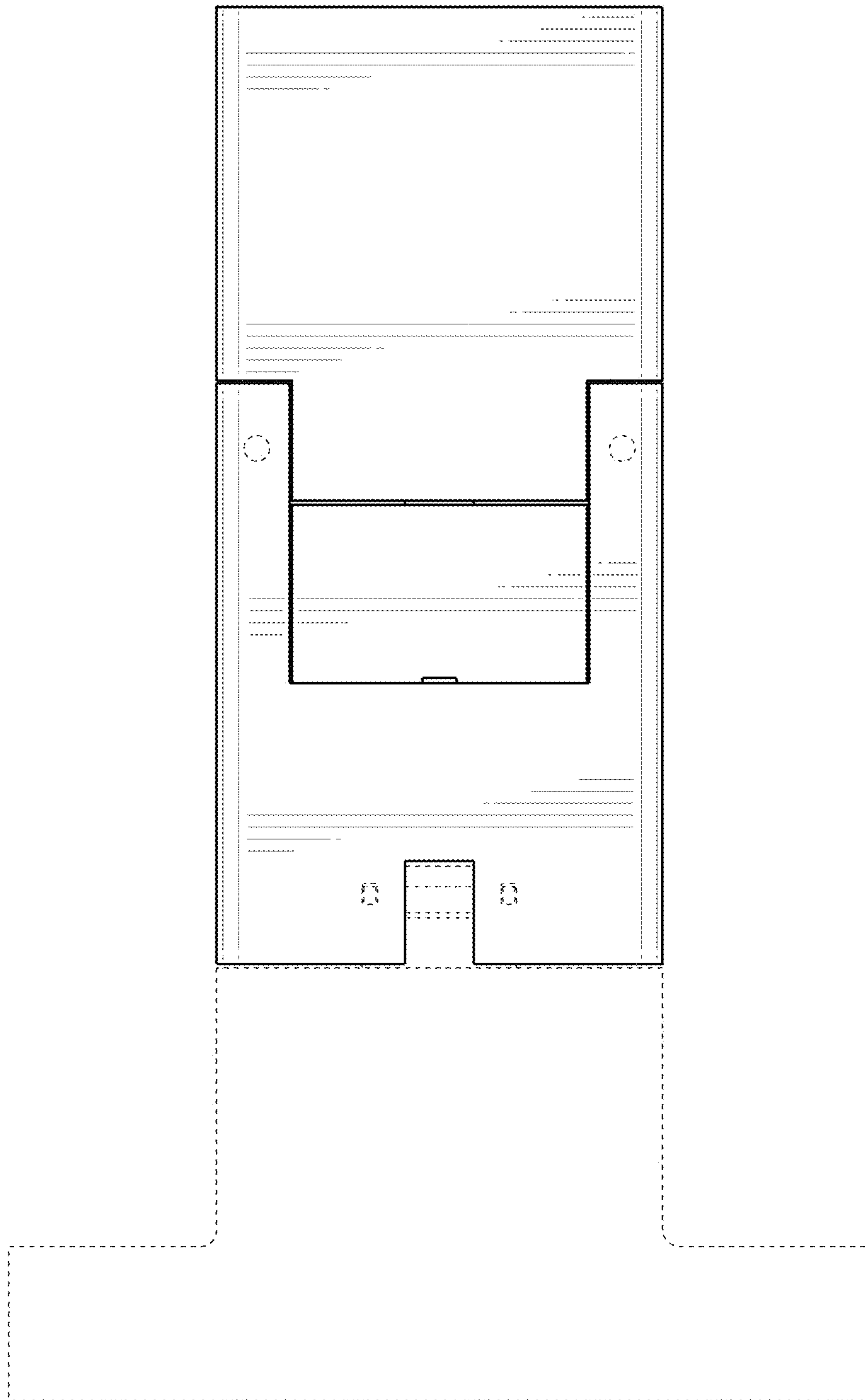


FIG. 2

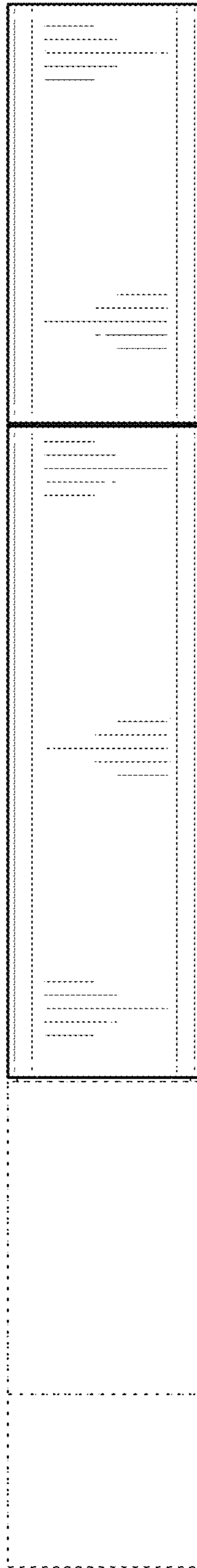


FIG. 3

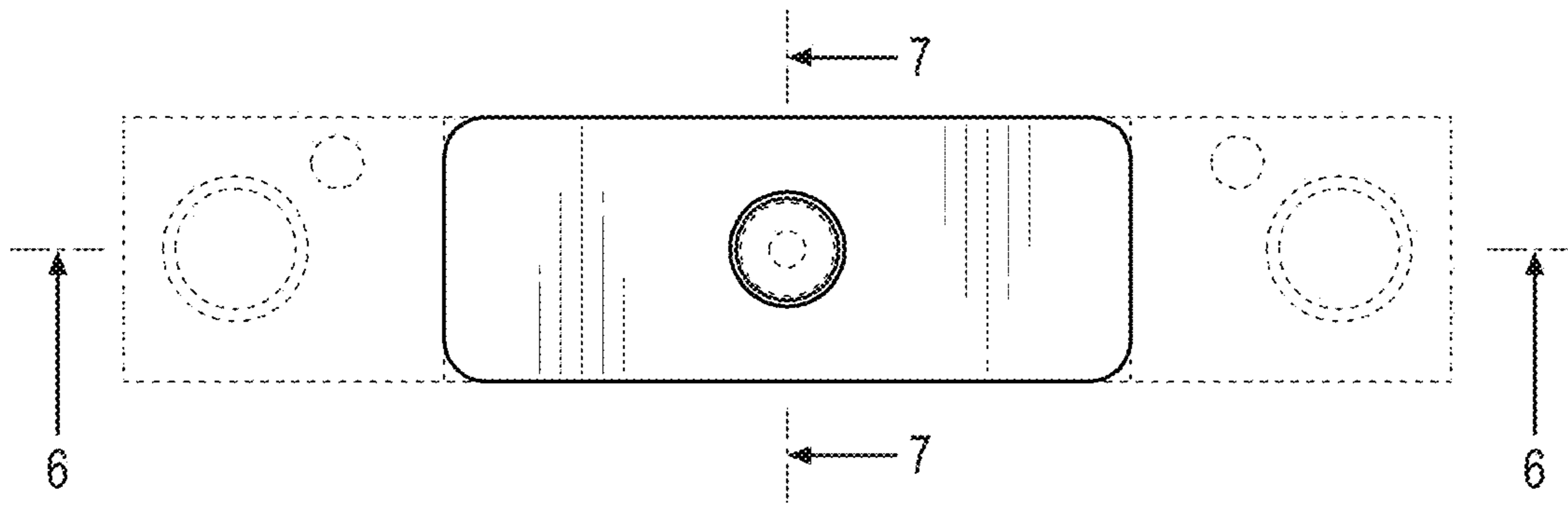


FIG. 4



FIG. 5

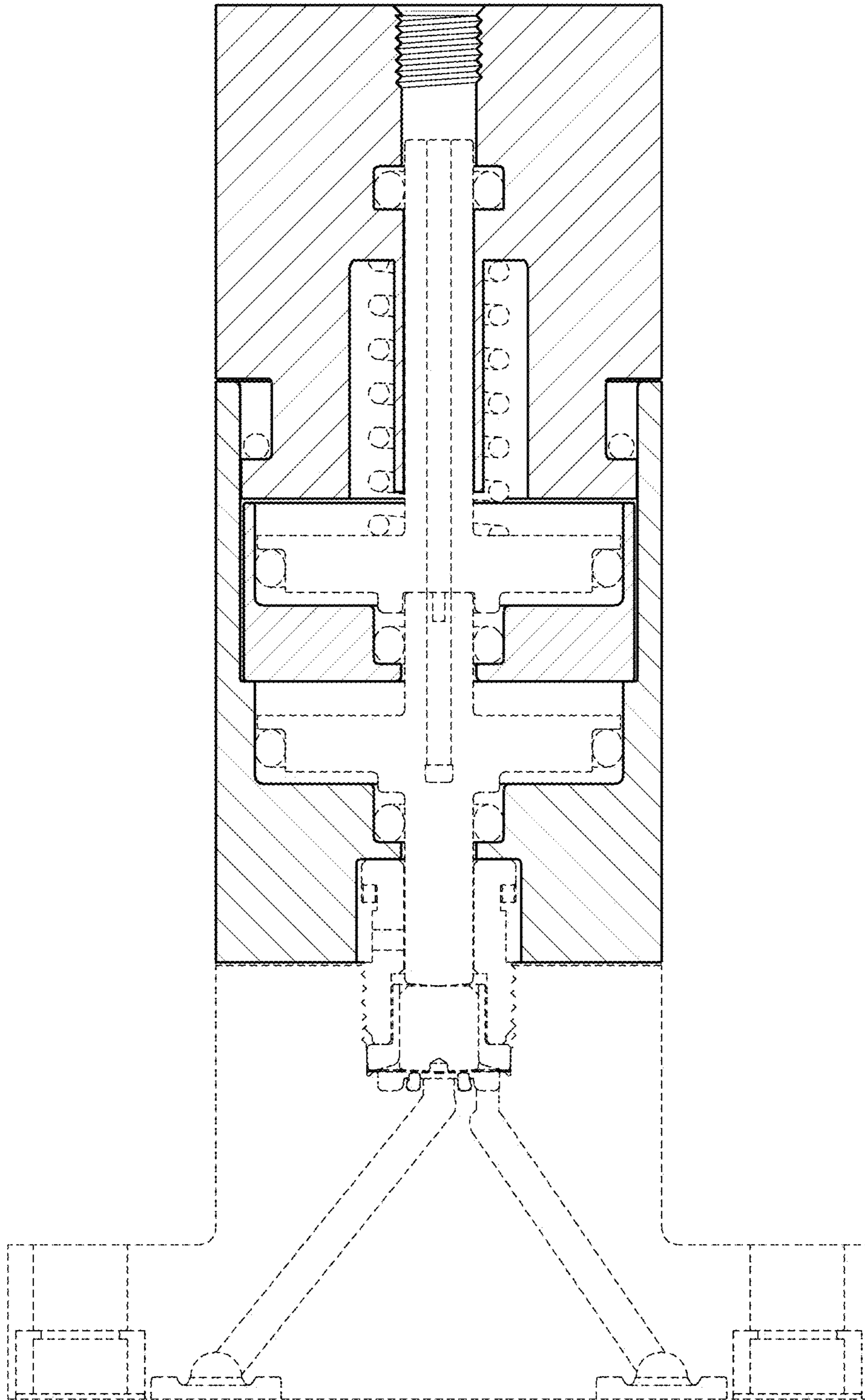


FIG. 6

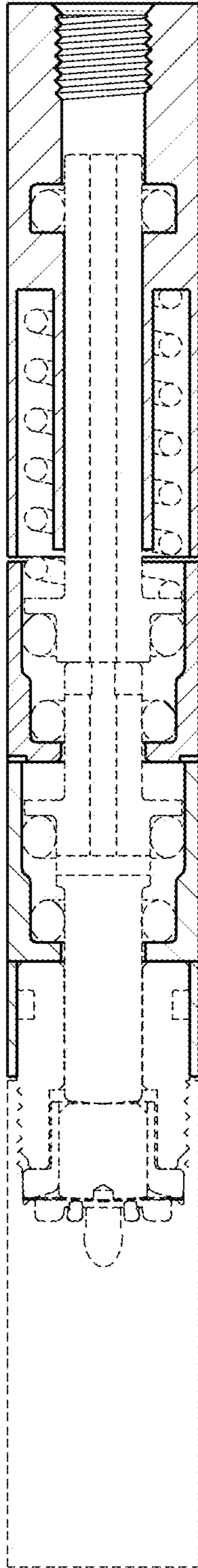


FIG. 7