



US00D917011S

(12) **United States Design Patent** (10) **Patent No.:** **US D917,011 S**
Ravassa et al. (45) **Date of Patent:** **** Apr. 20, 2021**

(54) **HAND SHOWER**
(71) Applicant: **AS America, Inc.**, Piscataway, NJ (US)
(72) Inventors: **Gabriela Ravassa**, Brooklyn, NY (US);
Jean-Jacques L’Henaff, New Canaan,
CT (US)
(73) Assignee: **AS America, Inc.**, Piscataway, NJ (US)
(**) Term: **15 Years**
(21) Appl. No.: **29/719,818**
(22) Filed: **Jan. 8, 2020**
(51) **LOC (13) Cl.** **23-01**
(52) **U.S. Cl.**
USPC **D23/213**
(58) **Field of Classification Search**
USPC D23/213, 214, 215, 223, 224, 226, 229,
D23/230
CPC A61H 9/0021; A61H 33/00; B05B 1/00;
B05B 1/14; B05B 1/185; B05B 1/08;
B05B 1/02; B05B 1/26; B05B 12/002;
B05B 1/18; B05B 9/01
See application file for complete search history.

(56) **References Cited**

U.S. PATENT DOCUMENTS

D552,210 S * 10/2007 Zhu D23/213
D648,825 S * 11/2011 Ando D23/228
D667,927 S * 9/2012 Linginfelter D23/213
D675,709 S * 2/2013 Mendoza D23/213
D689,983 S * 9/2013 Wilson D23/228

D713,002 S * 9/2014 McKeone D23/213
D734,426 S * 7/2015 Hundley D23/213
2015/0360243 A1* 12/2015 Soetaert F16K 11/0445
4/615
2016/0287471 A1* 10/2016 Urfig A61H 33/06

FOREIGN PATENT DOCUMENTS

WO WO-2008111778 A1 * 9/2008 A47K 10/48

* cited by examiner

Primary Examiner — Cathron C Brooks

Assistant Examiner — Keith J Wilson

(74) *Attorney, Agent, or Firm* — Tyler A. Stevenson;
Anna-Lisa L. Gallo

(57) **CLAIM**

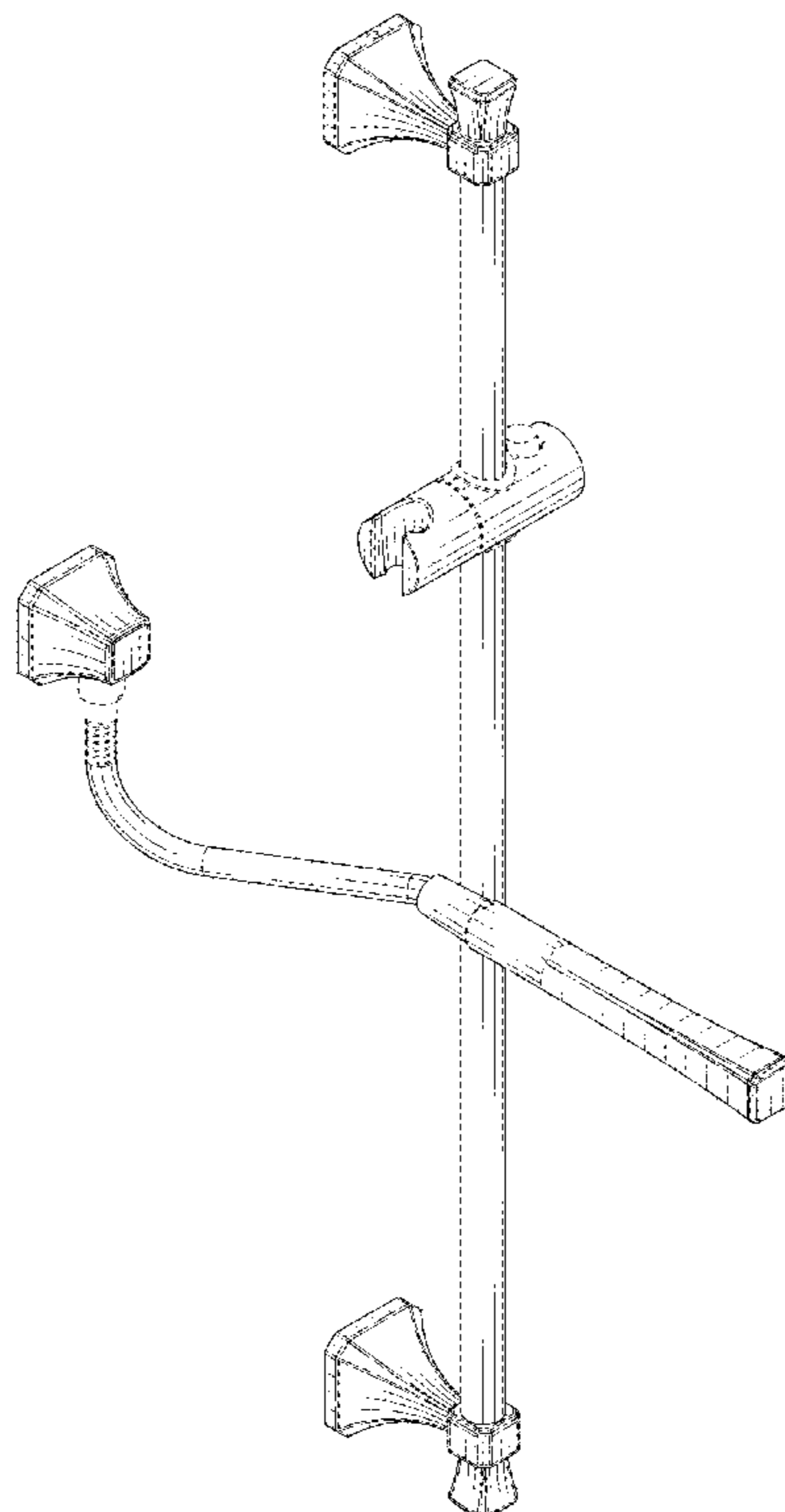
We claim the ornamental design for a hand shower, as shown and described.

DESCRIPTION

FIG. 1 is a front, top, left side perspective view of a hand shower showing our new design;
FIG. 2 is a front view thereof;
FIG. 3 is a rear side view thereof;
FIG. 4 is a left side view thereof;
FIG. 5 is a right side view thereof;
FIG. 6 is a top view thereof; and,
FIG. 7 is a bottom view thereof.

The broken lines of the disclosure represent portions of the hand shower that form no part of the claimed design.

1 Claim, 7 Drawing Sheets



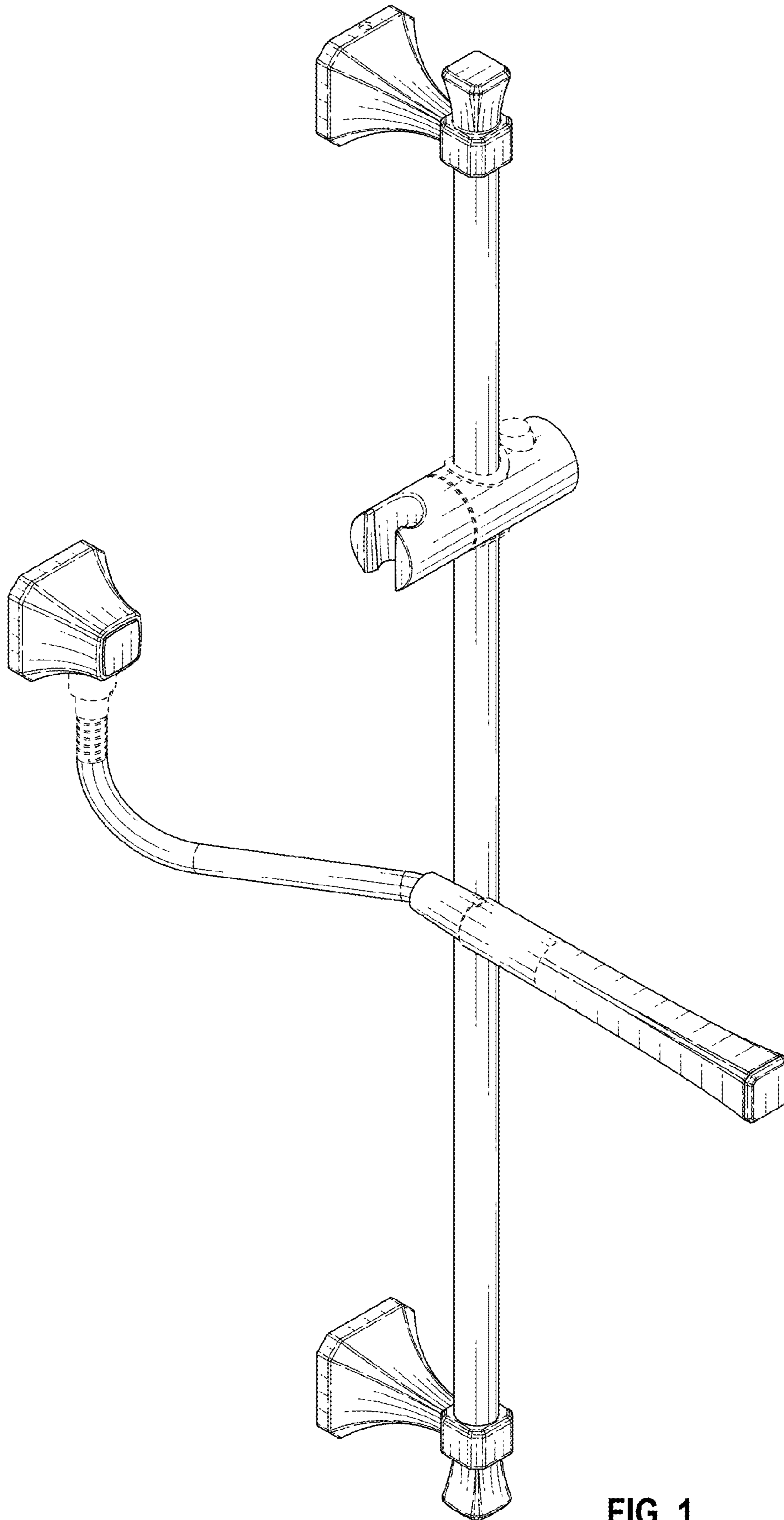


FIG. 1

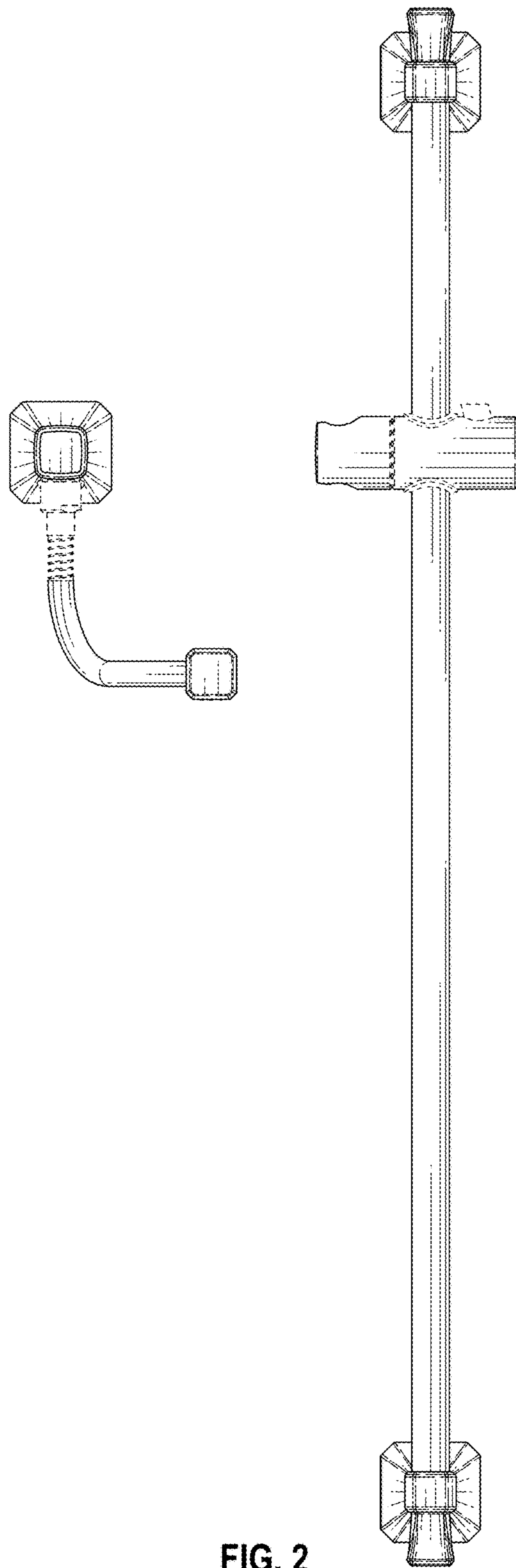


FIG. 2

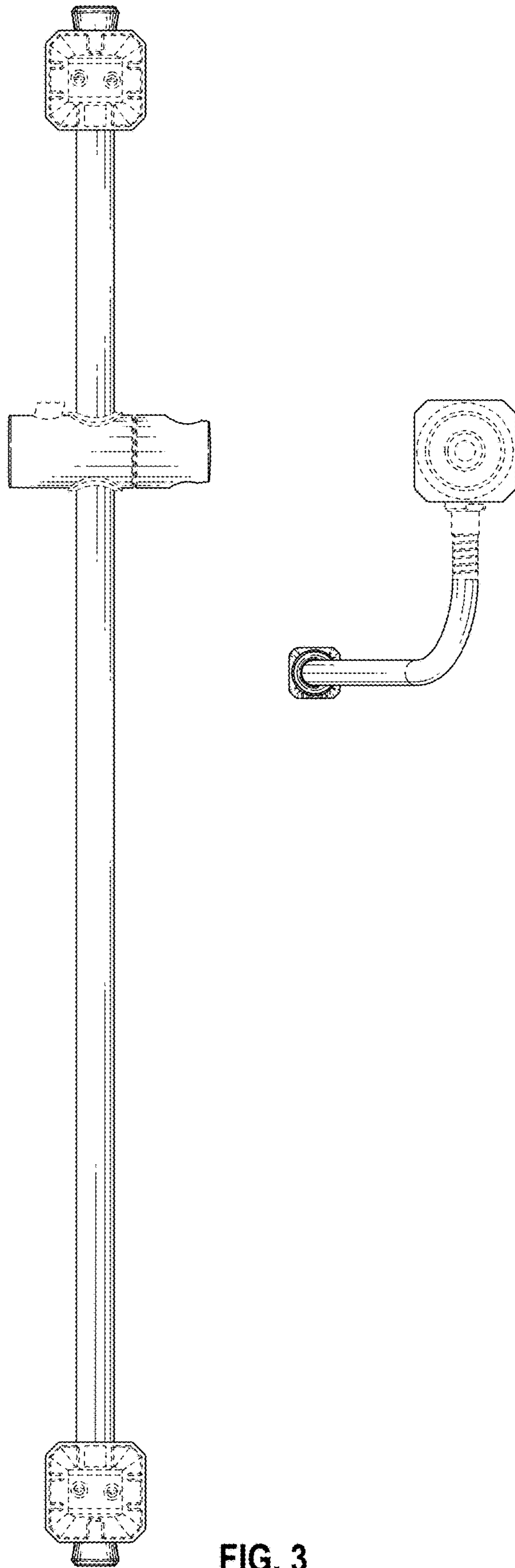


FIG. 3

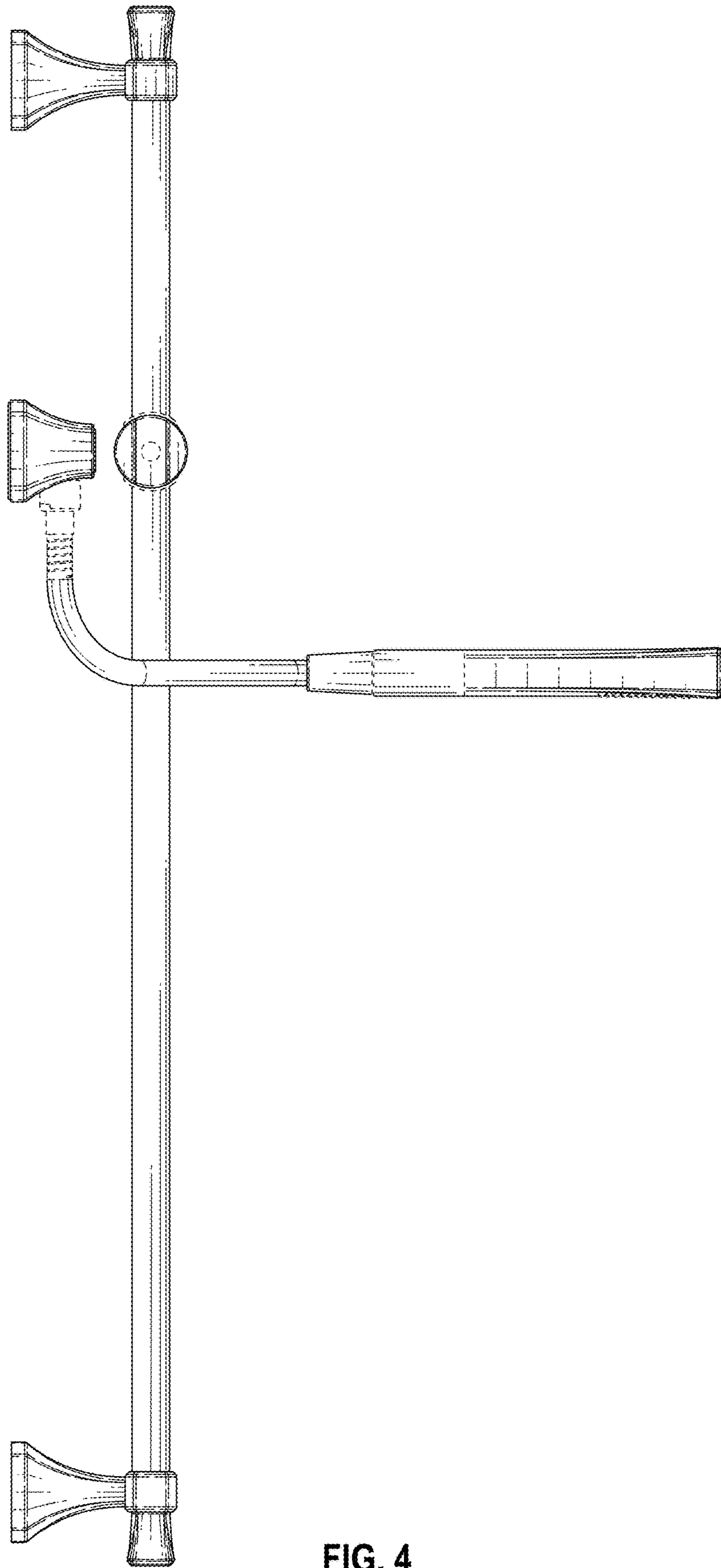


FIG. 4

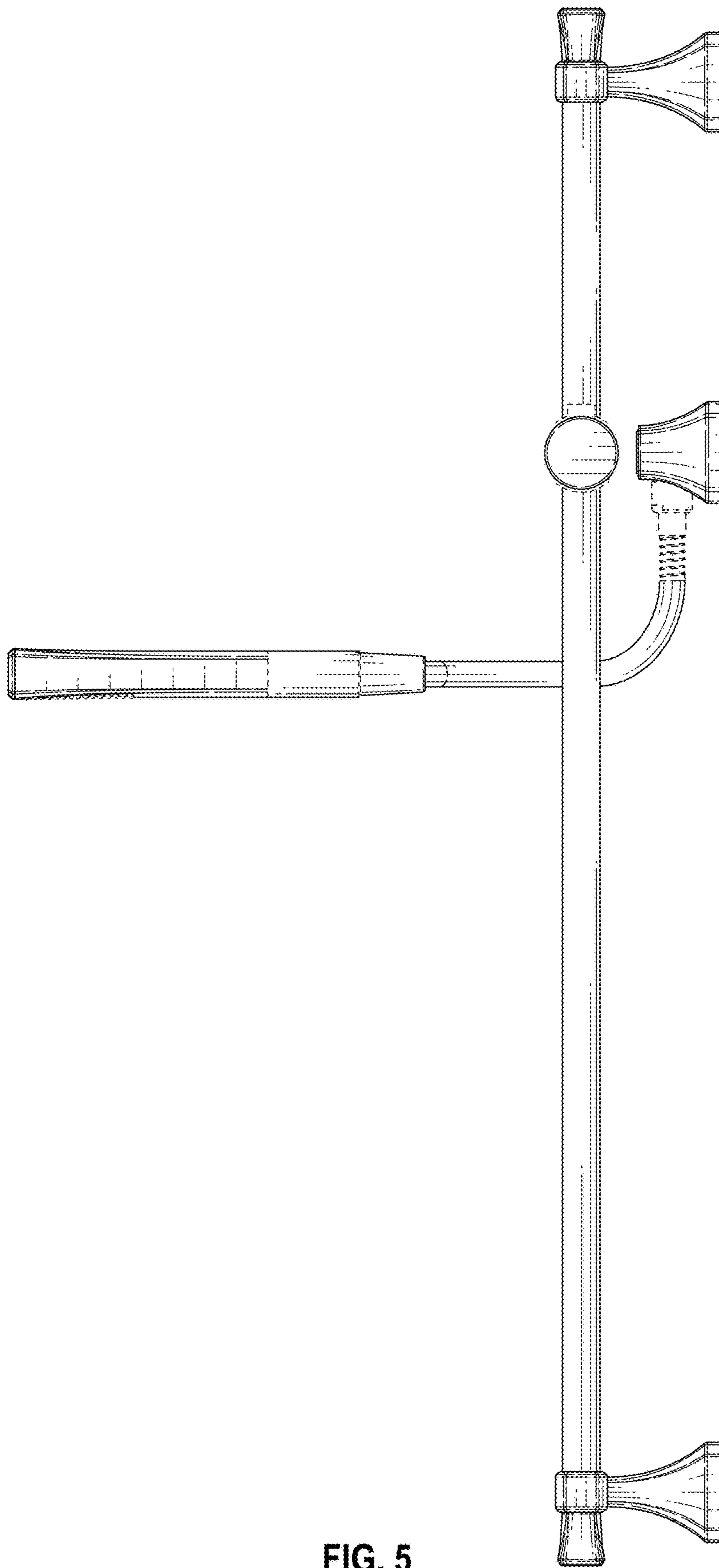


FIG. 5

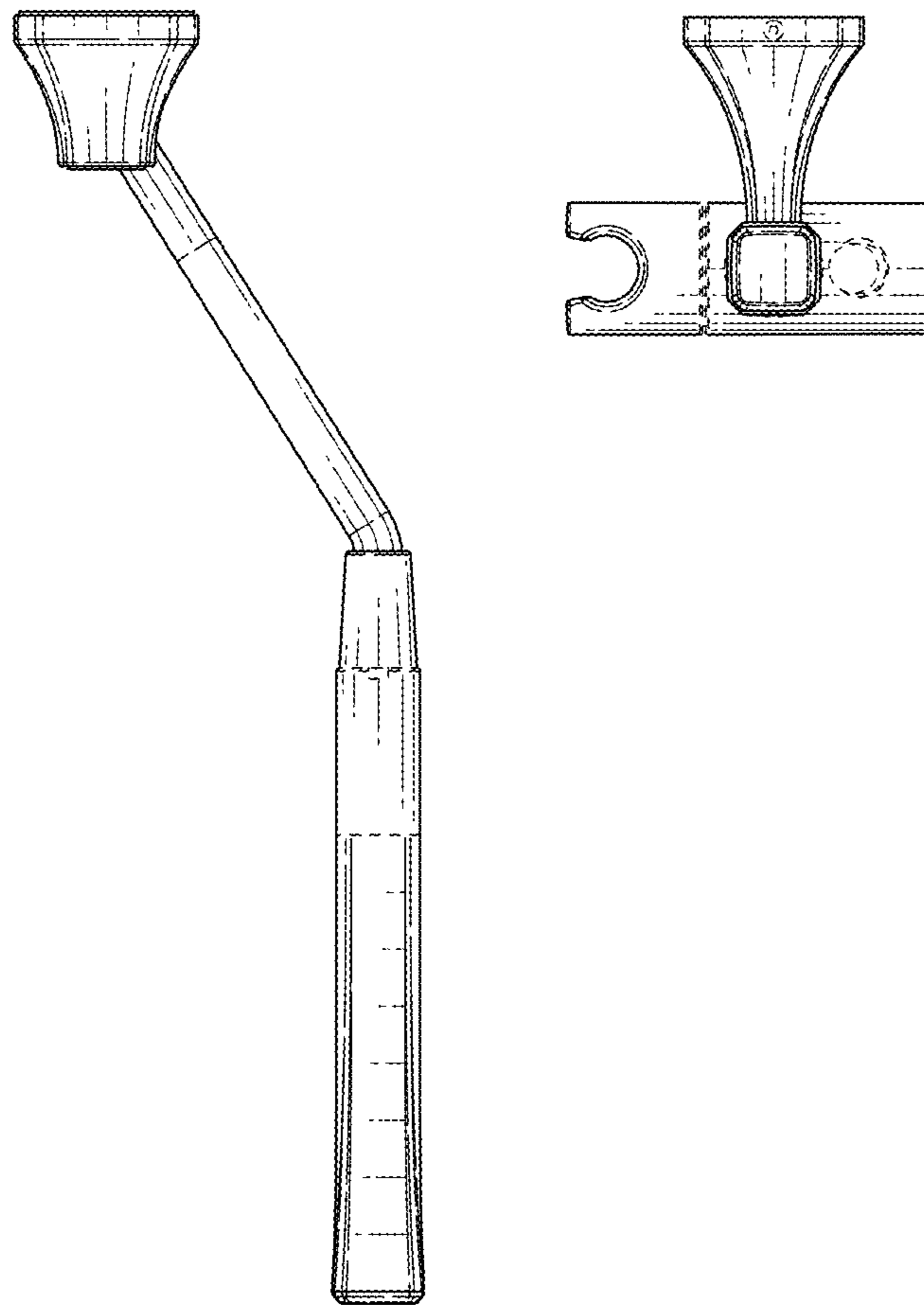


FIG. 6

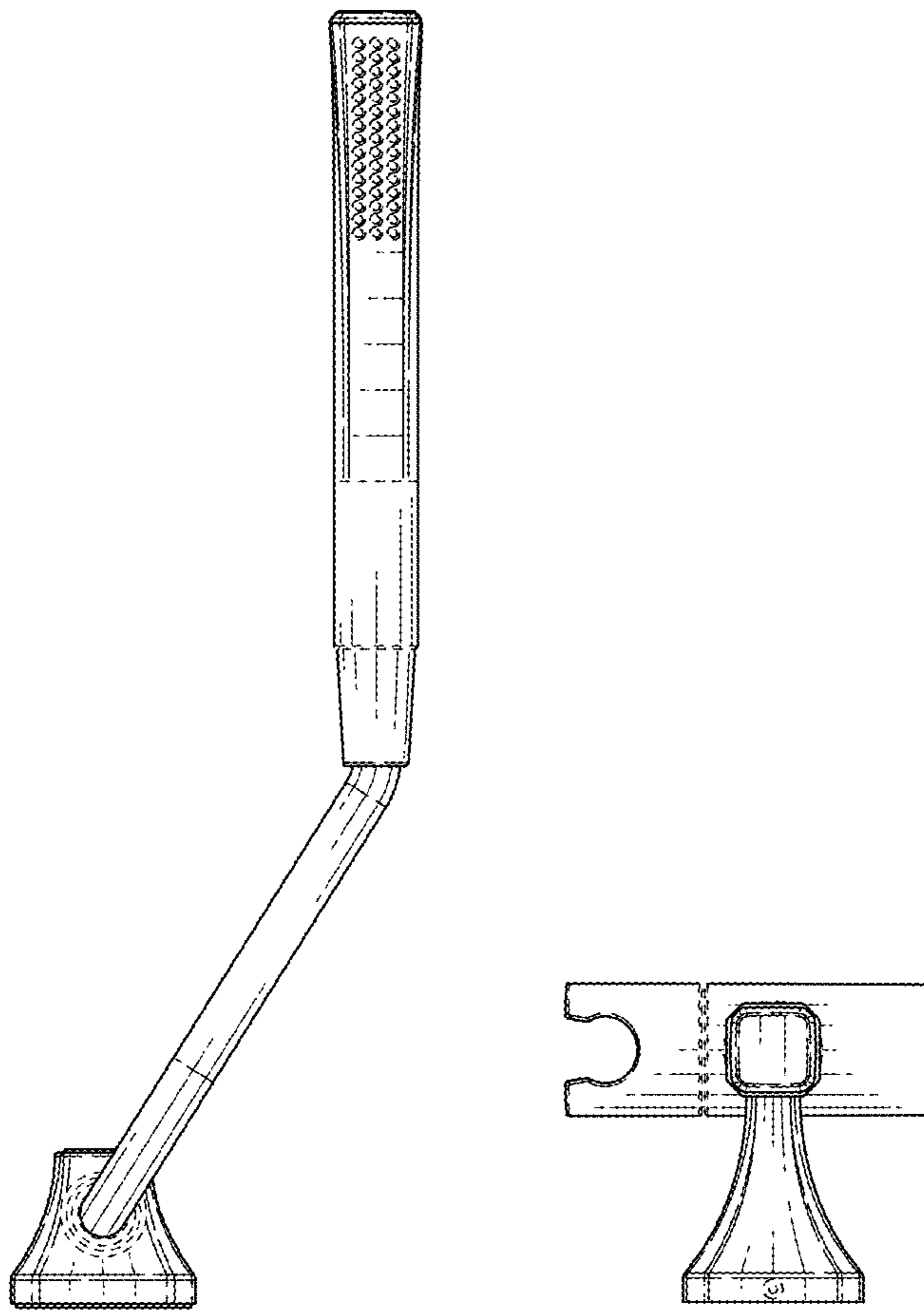


FIG. 7