



US00D917001S

(12) **United States Design Patent**
Shelton et al.

(10) **Patent No.:** **US D917,001 S**

(45) **Date of Patent:** **** Apr. 20, 2021**

(54) **SLING MOUNT**

(71) Applicant: **RAILSCALES LLC**, Claremore, OK
(US)

(72) Inventors: **Derek Hunter Shelton**, Claremore, OK
(US); **Brent Taylor McGuire**, Depew,
OK (US)

(73) Assignee: **RAILSCALES LLC**, Claremore, OK
(US)

(**) Term: **15 Years**

(21) Appl. No.: **29/721,749**

(22) Filed: **Jan. 23, 2020**

(51) **LOC (13) Cl.** **22-01**

(52) **U.S. Cl.**
USPC **D22/109**

(58) **Field of Classification Search**
USPC D22/100, 101, 103, 104, 105, 108, 109,
D22/110; D21/567, 570, 573, 574, 575
CPC F41C 33/007; F41C 33/002; F41A 23/52
See application file for complete search history.

(56) **References Cited**

U.S. PATENT DOCUMENTS

D588,672 S *	3/2009	Swan	D22/109
D639,890 S *	6/2011	Troy, Jr.	D22/108
D667,914 S *	9/2012	Storch	D22/108
D669,150 S *	10/2012	Mayberry	D22/108
D685,445 S *	7/2013	Pittman	D22/108
D694,845 S *	12/2013	Satzinger	D22/108
D697,160 S *	1/2014	Satzinger	D22/108
D702,311 S *	4/2014	Fitzpatrick	D22/108
D706,378 S *	6/2014	Fitzpatrick	D22/108
D717,391 S *	11/2014	Pittman	D22/108
D721,571 S *	1/2015	Roberts	D8/367
D725,217 S *	3/2015	Heidkamp	D22/108
D725,221 S *	3/2015	Geissele	D22/108
D729,338 S *	5/2015	Mayberry	D22/108

D746,404 S *	12/2015	Chow	D22/108
9,243,866 B2 *	1/2016	Roberts	F41C 33/006
D750,190 S *	2/2016	Pittman	D22/108
D753,783 S *	4/2016	Pittman	D22/108
D813,973 S *	3/2018	McKillips	D22/109
10,219,589 B1 *	3/2019	Lin	F16G 15/06
D861,823 S *	10/2019	Shelton	D22/109

OTHER PUBLICATIONS

“Arson Machine Company Flashlight and Sling Mounts” [online].
Phil White. [Published on Jun. 12, 2015]. Retrieved from the
Internet: <<https://www.thefirearmblog.com/blog/2015/06/12/arson-machine-company-flashlight-sling-mounts/>>.*

“Magpul M-Lok Bipod Mount” [online]. Magpul. [Product first
available on Oct. 22, 2014]. Retrieved from the Internet: <<https://www.amazon.com/dp/B00ORZEQZY>>.*

* cited by examiner

Primary Examiner — Mojtaba Tehrani

(74) *Attorney, Agent, or Firm* — Eversheds Sutherland
(US) LLP

(57) **CLAIM**

The ornamental design for a sling mount, as shown and
described.

DESCRIPTION

FIG. 1 is a top perspective view of a sling mount, showing
our new design;

FIG. 2 is a bottom perspective view thereof;

FIG. 3 is a front view thereof;

FIG. 4 is a rear view thereof;

FIG. 5 is a side view thereof;

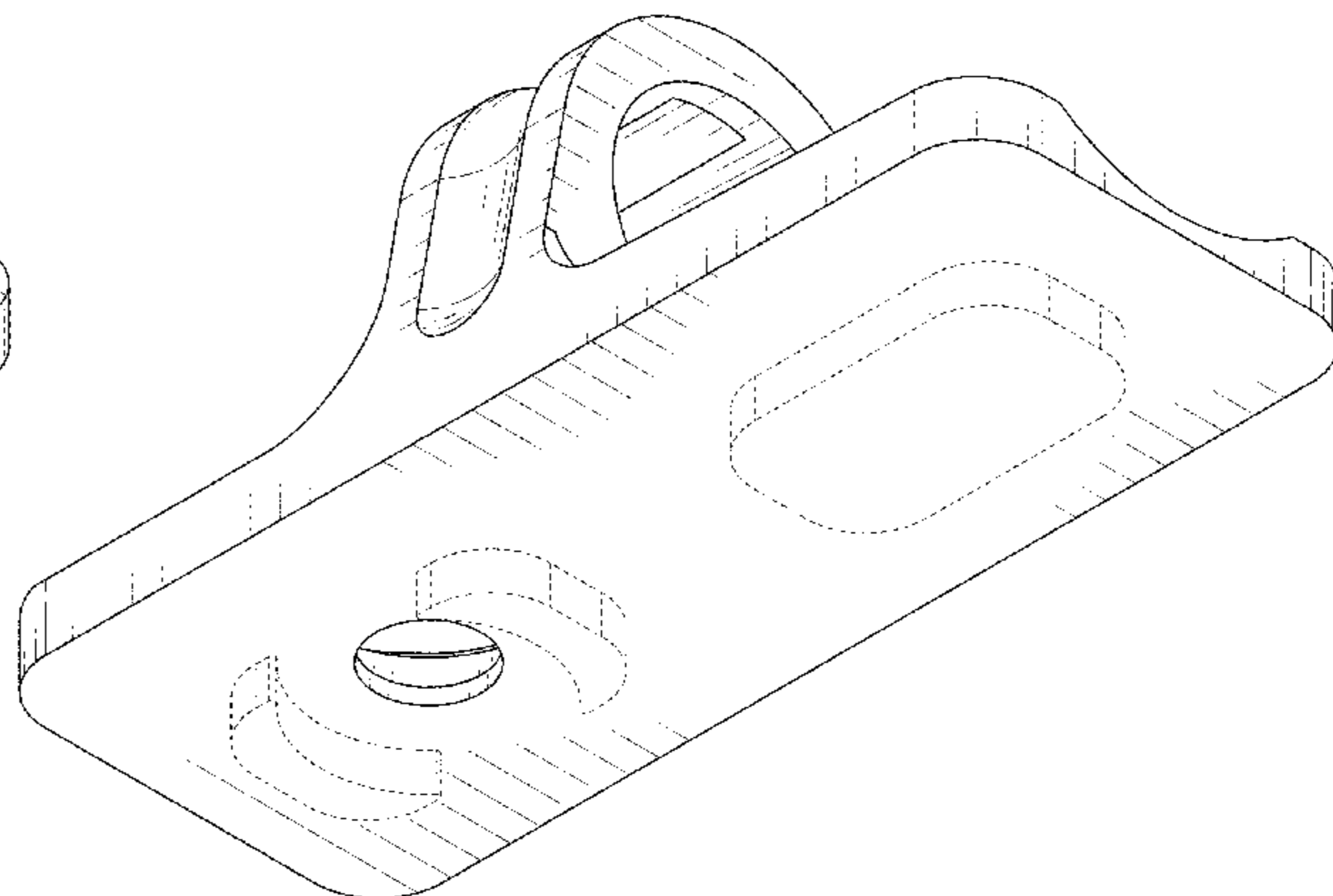
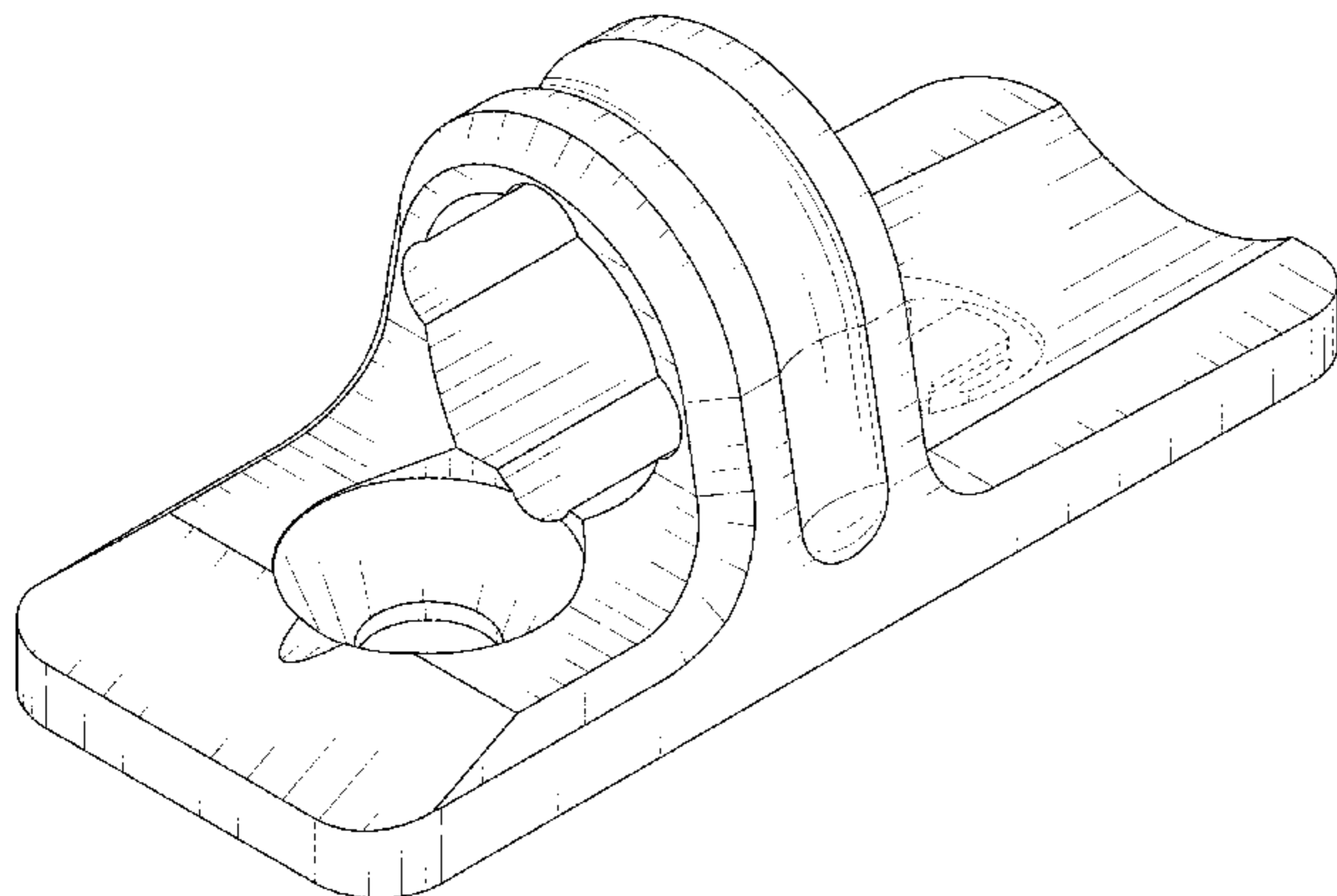
FIG. 6 is a side view thereof;

FIG. 7 is a top view thereof; and,

FIG. 8 is a bottom view thereof.

The broken lines are for purposes of illustration only and do
not form a part of the claimed design.

1 Claim, 7 Drawing Sheets



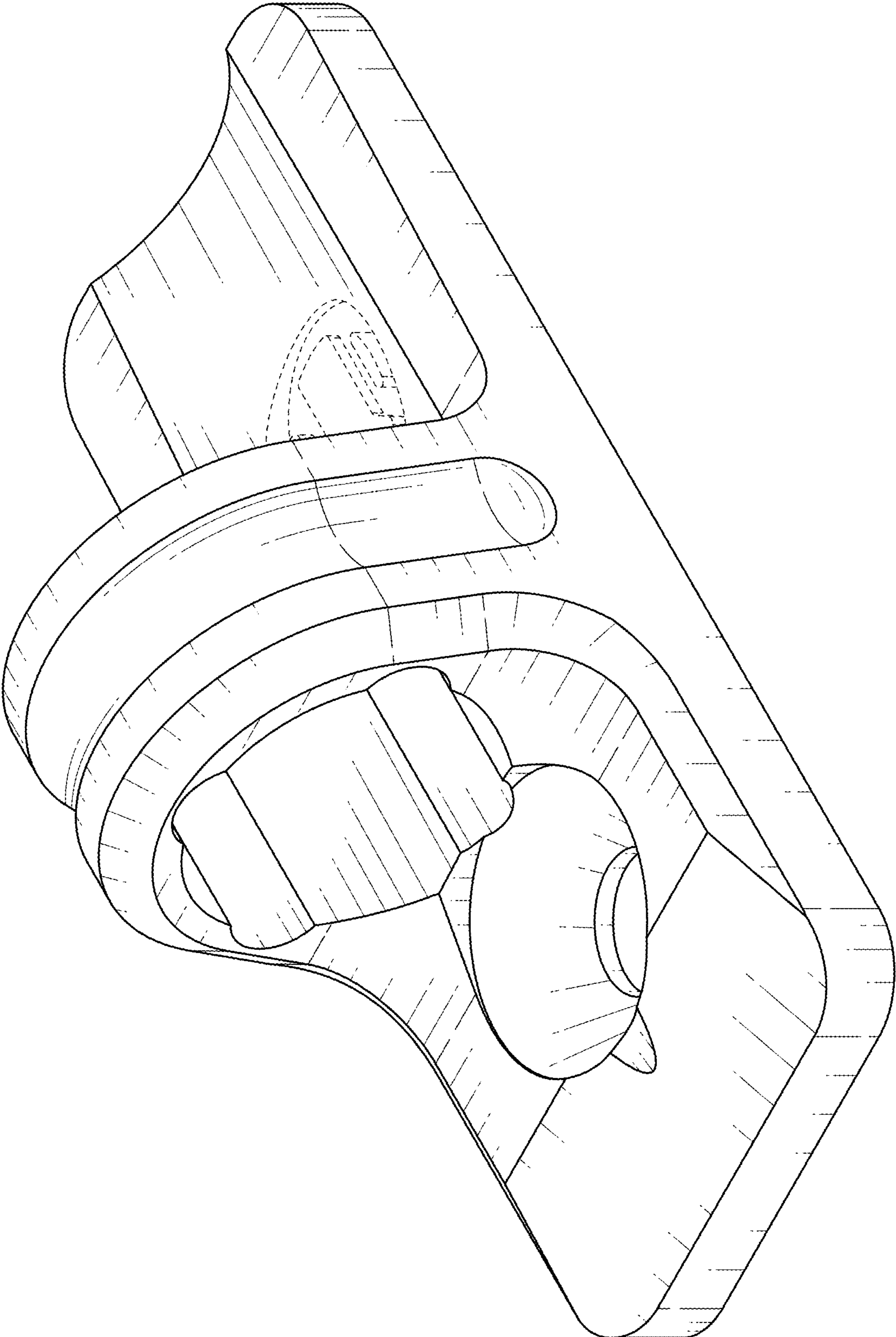


FIG. 1

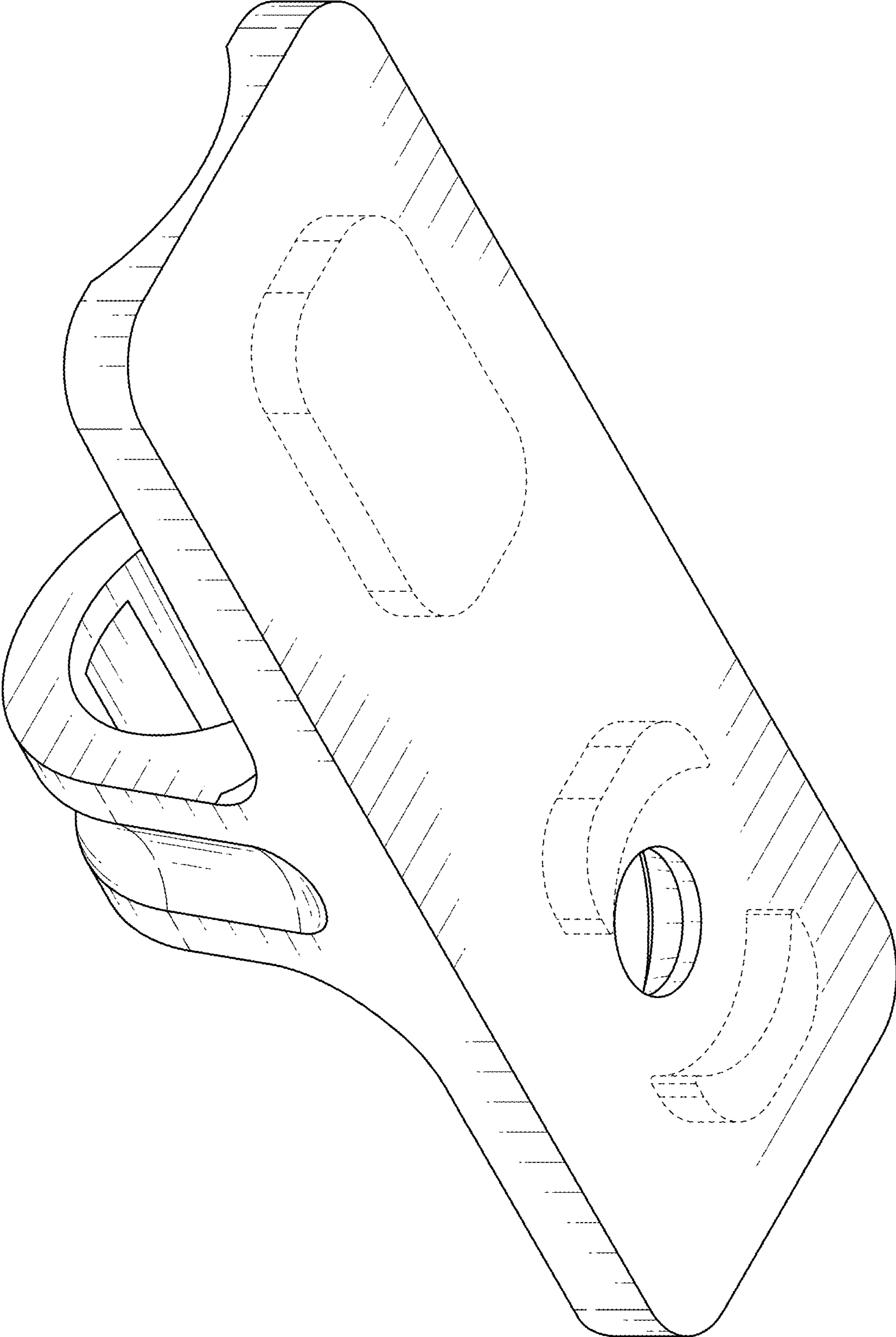


FIG. 2

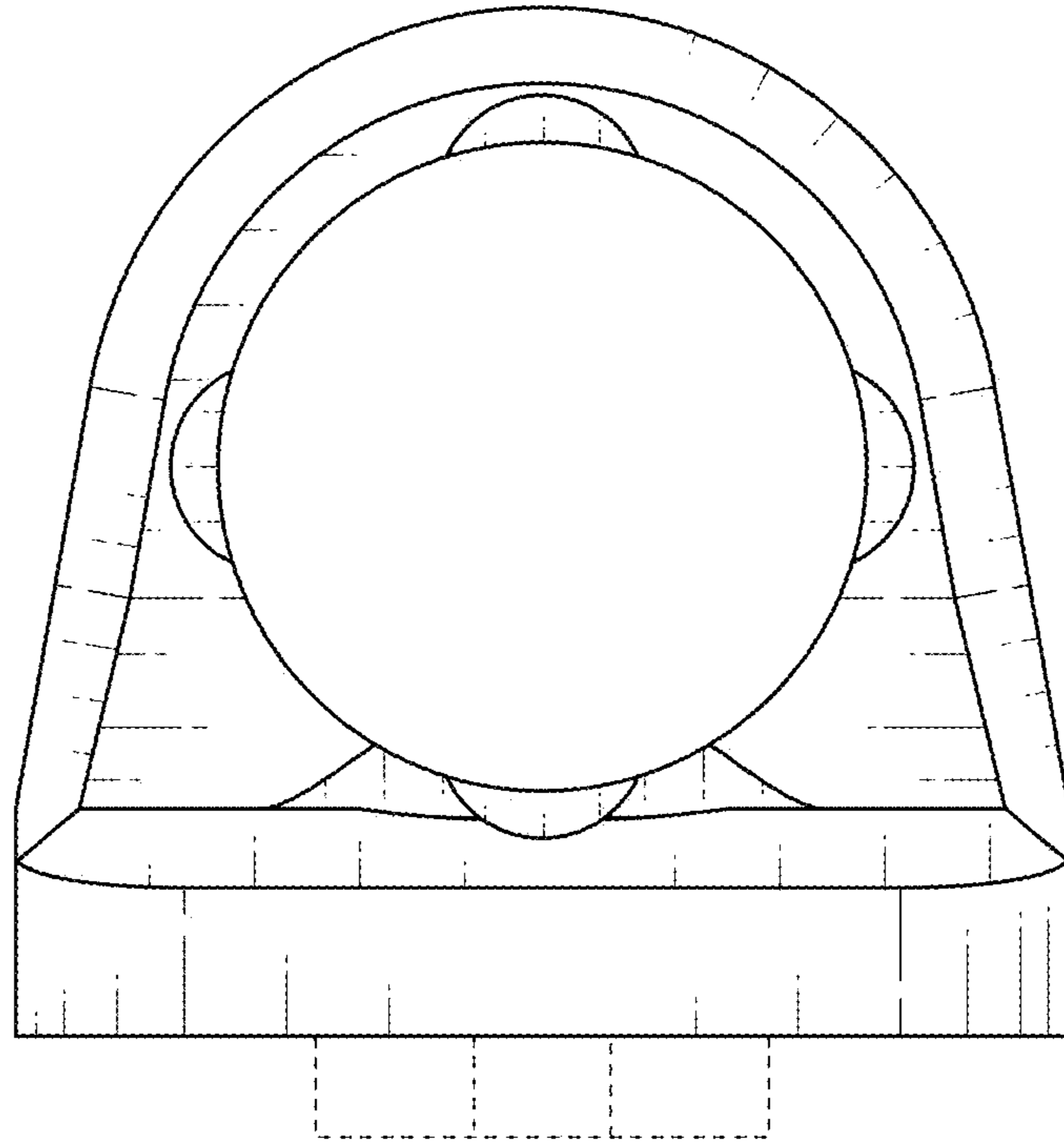


FIG. 3

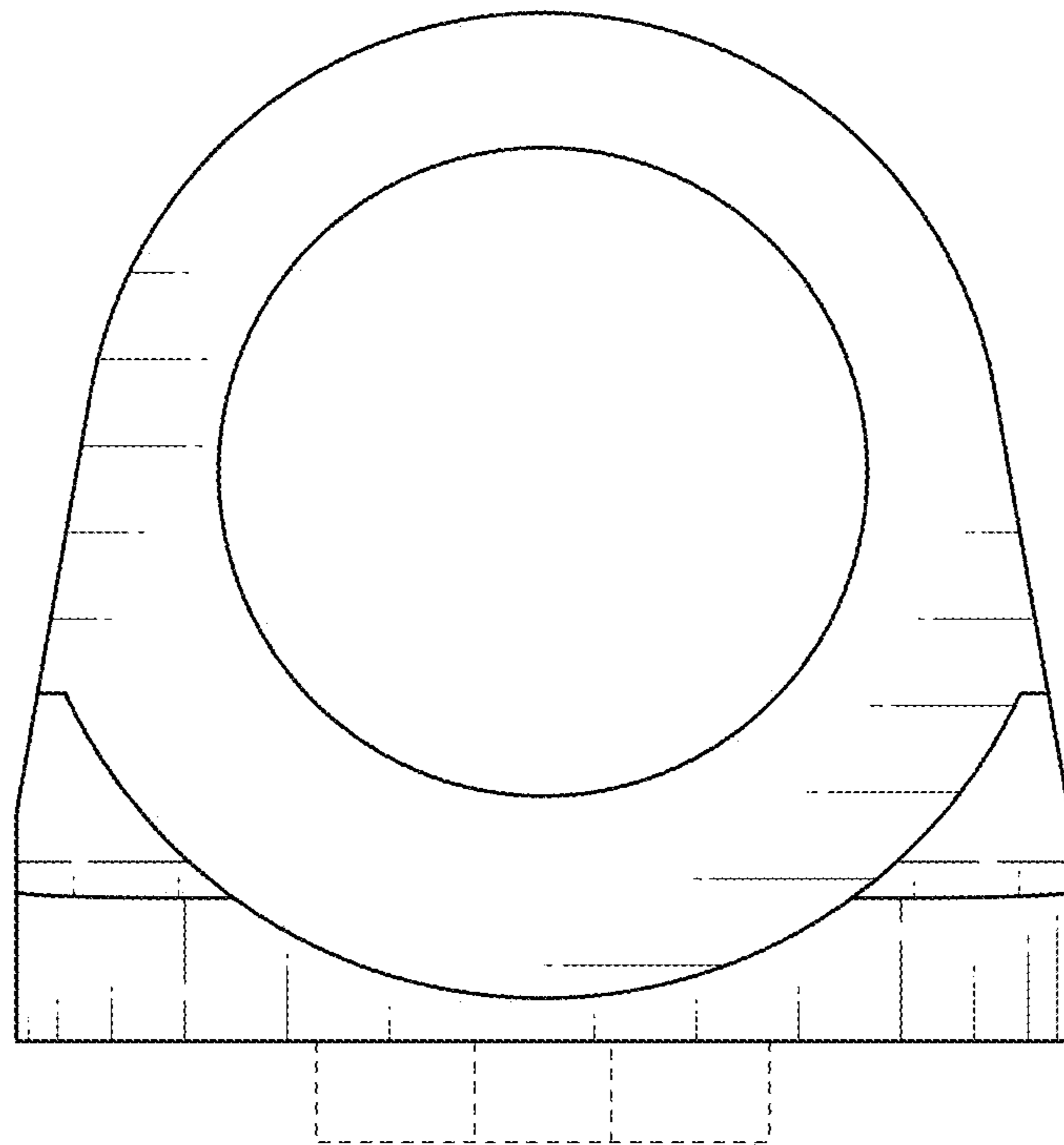


FIG. 4

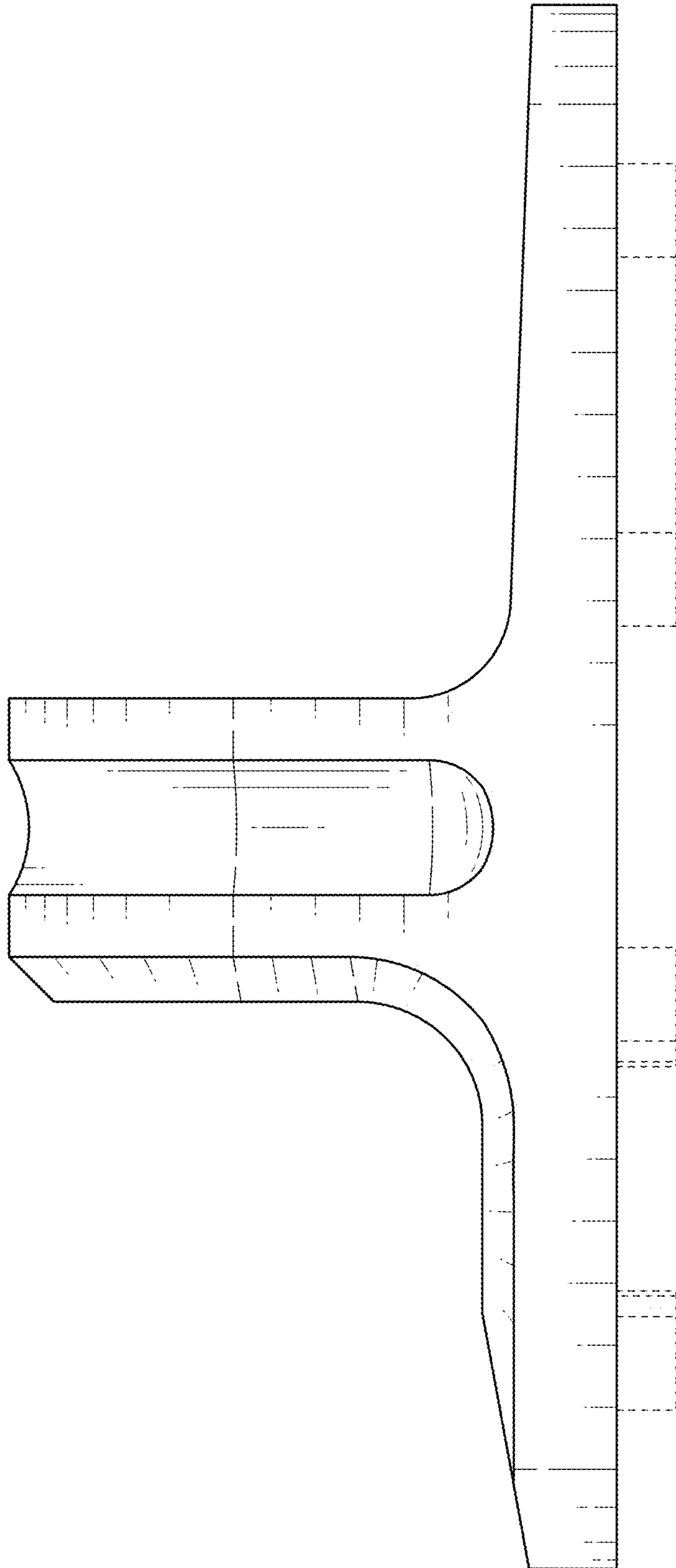


FIG. 5

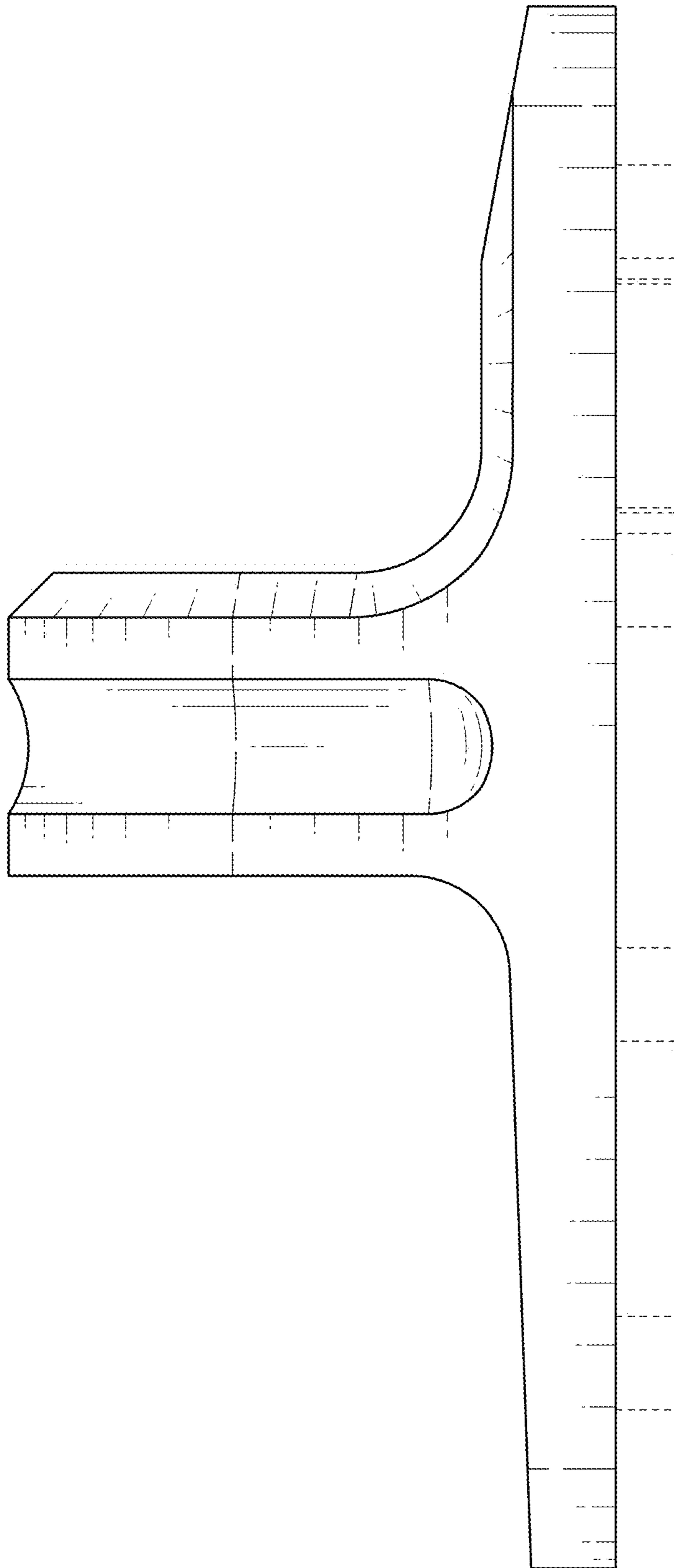


FIG. 6

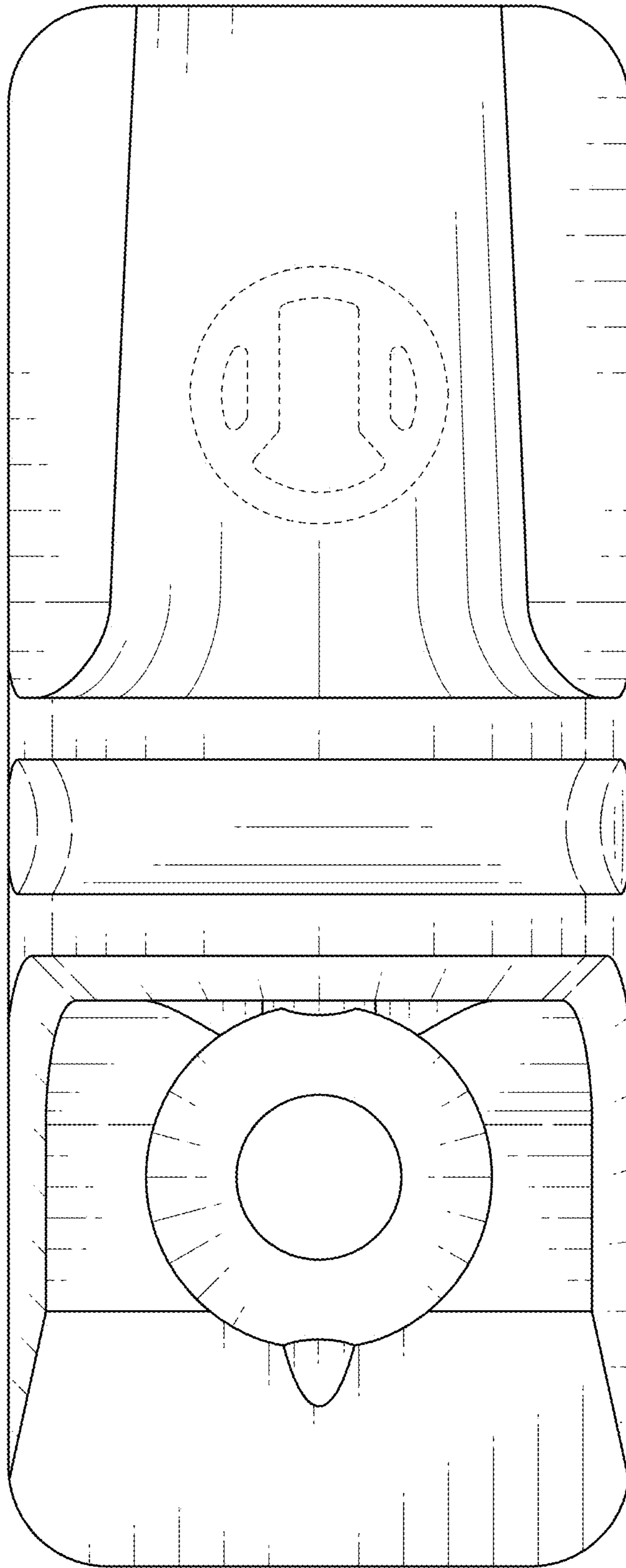


FIG. 7

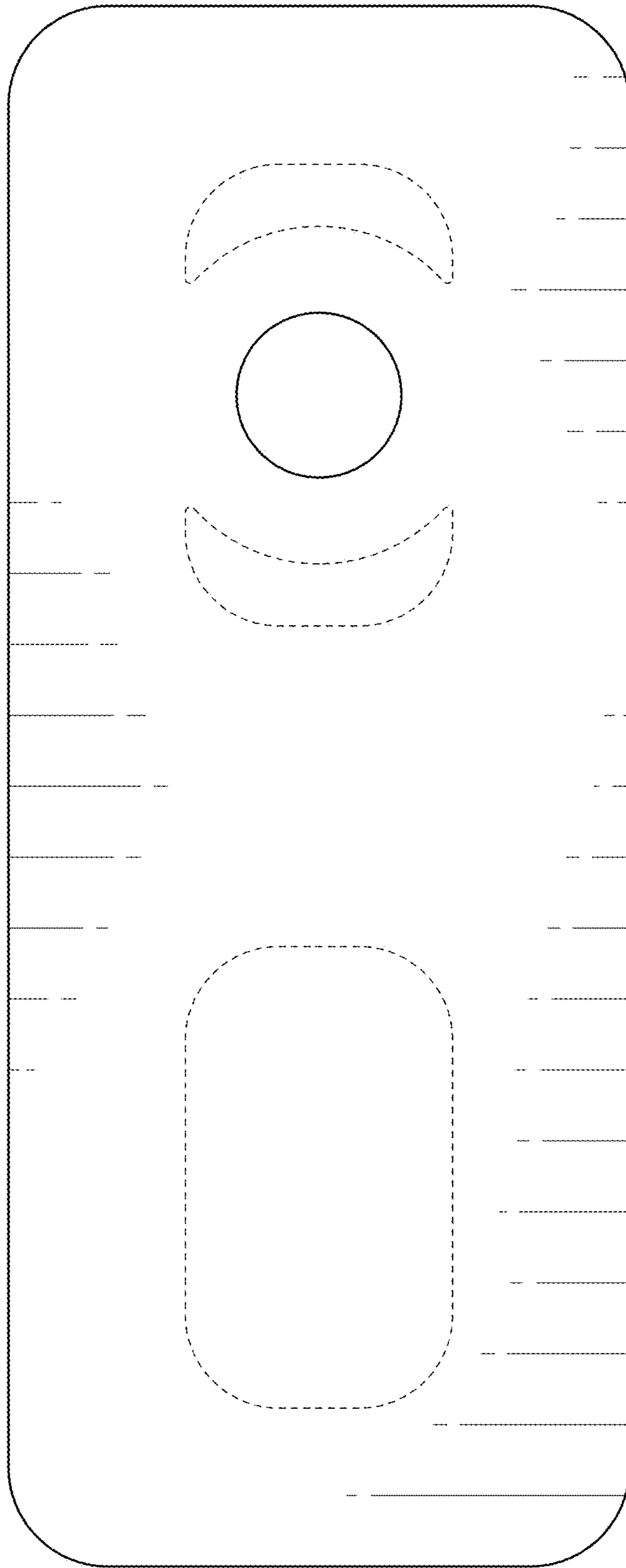


FIG. 8