



US00D917000S

(12) **United States Design Patent**
Huang

(10) **Patent No.:** **US D917,000 S**

(45) **Date of Patent:** **** Apr. 20, 2021**

(54) **MAGAZINE LOADER**

(71) Applicant: **Jieping Huang**, Yongzhou (CN)

(72) Inventor: **Jieping Huang**, Yongzhou (CN)

(**) Term: **15 Years**

(21) Appl. No.: **29/752,123**

(22) Filed: **Sep. 25, 2020**

(51) **LOC (13) Cl.** **22-01**

(52) **U.S. Cl.**
USPC **D22/108**

(58) **Field of Classification Search**
USPC D22/108
CPC F41A 9/83; F41A 9/82
See application file for complete search history.

(56) **References Cited**

U.S. PATENT DOCUMENTS

D477,047 S *	7/2003	Springer	D22/108
6,754,987 B1 *	6/2004	Cheng	F41A 9/83
				42/87
7,503,138 B2 *	3/2009	Tal	F41A 9/83
				42/50

D700,266 S *	2/2014	Tal	D22/108
D728,066 S *	4/2015	Tal	D22/199
D836,178 S	12/2018	Hefer et al.		
D872,217 S *	1/2020	Tal	D22/108
D877,841 S	3/2020	Couie		

* cited by examiner

Primary Examiner — Michael A. Pratt

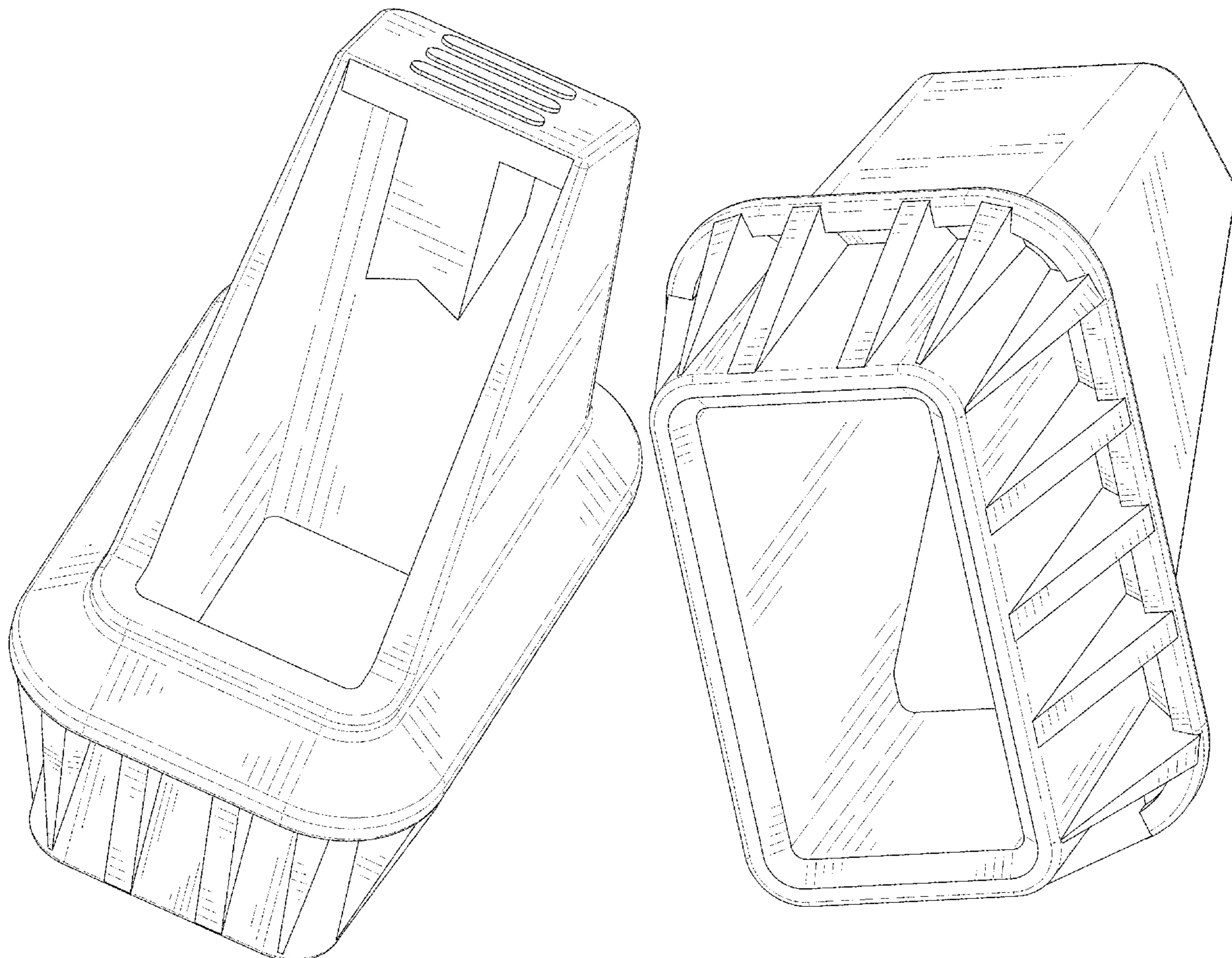
(57) **CLAIM**

The ornamental design for a magazine loader, as shown and described.

DESCRIPTION

FIG. 1 is a perspective view of a magazine loader showing my new design;
FIG. 2 is another perspective view thereof;
FIG. 3 is a front elevational view thereof;
FIG. 4 is a rear elevational view thereof;
FIG. 5 is a left side elevational view thereof;
FIG. 6 is a right side elevational view thereof;
FIG. 7 is a top plan view thereof; and,
FIG. 8 is a bottom plan view thereof.

1 Claim, 8 Drawing Sheets



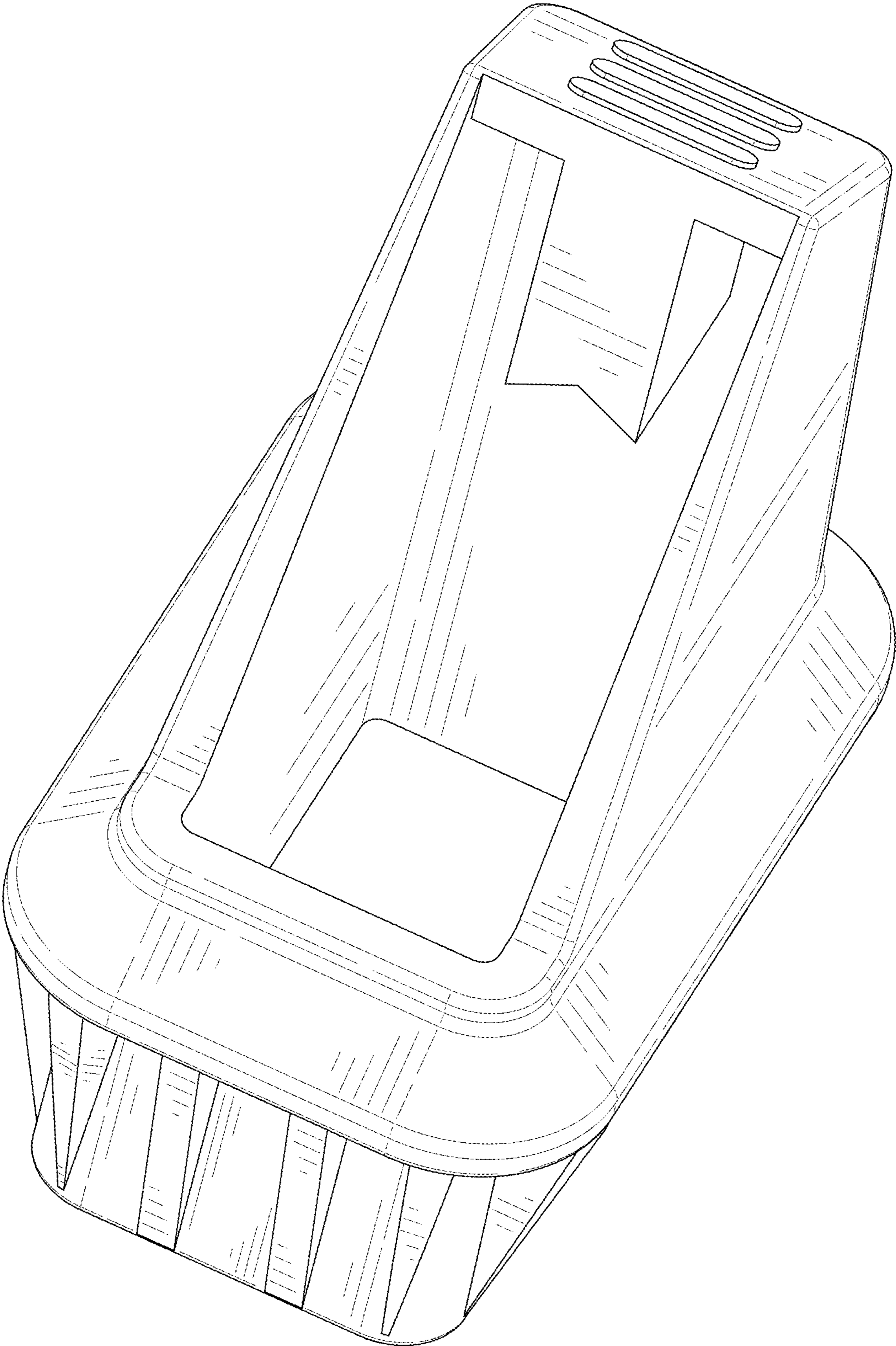


FIG. 1

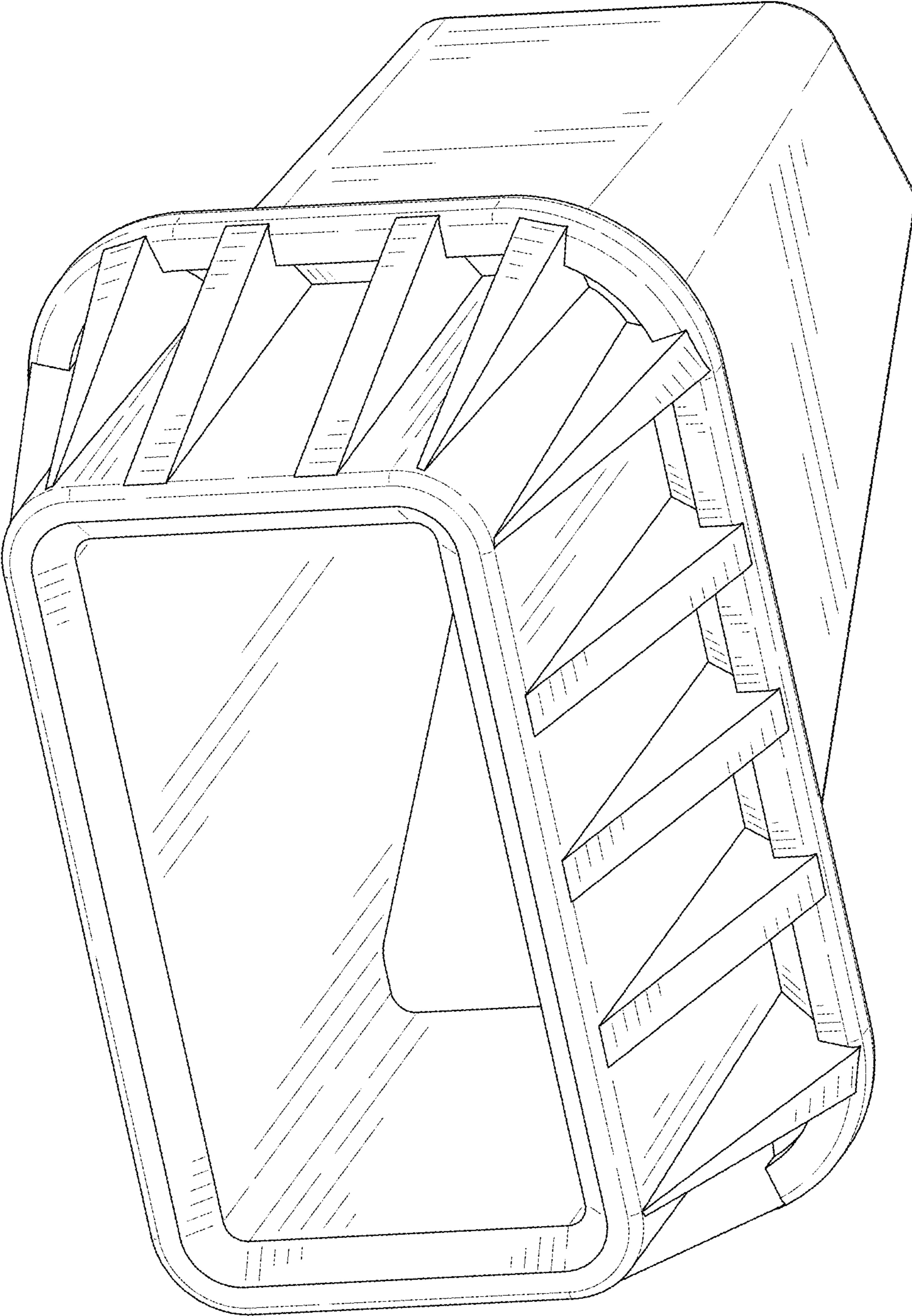


FIG. 2

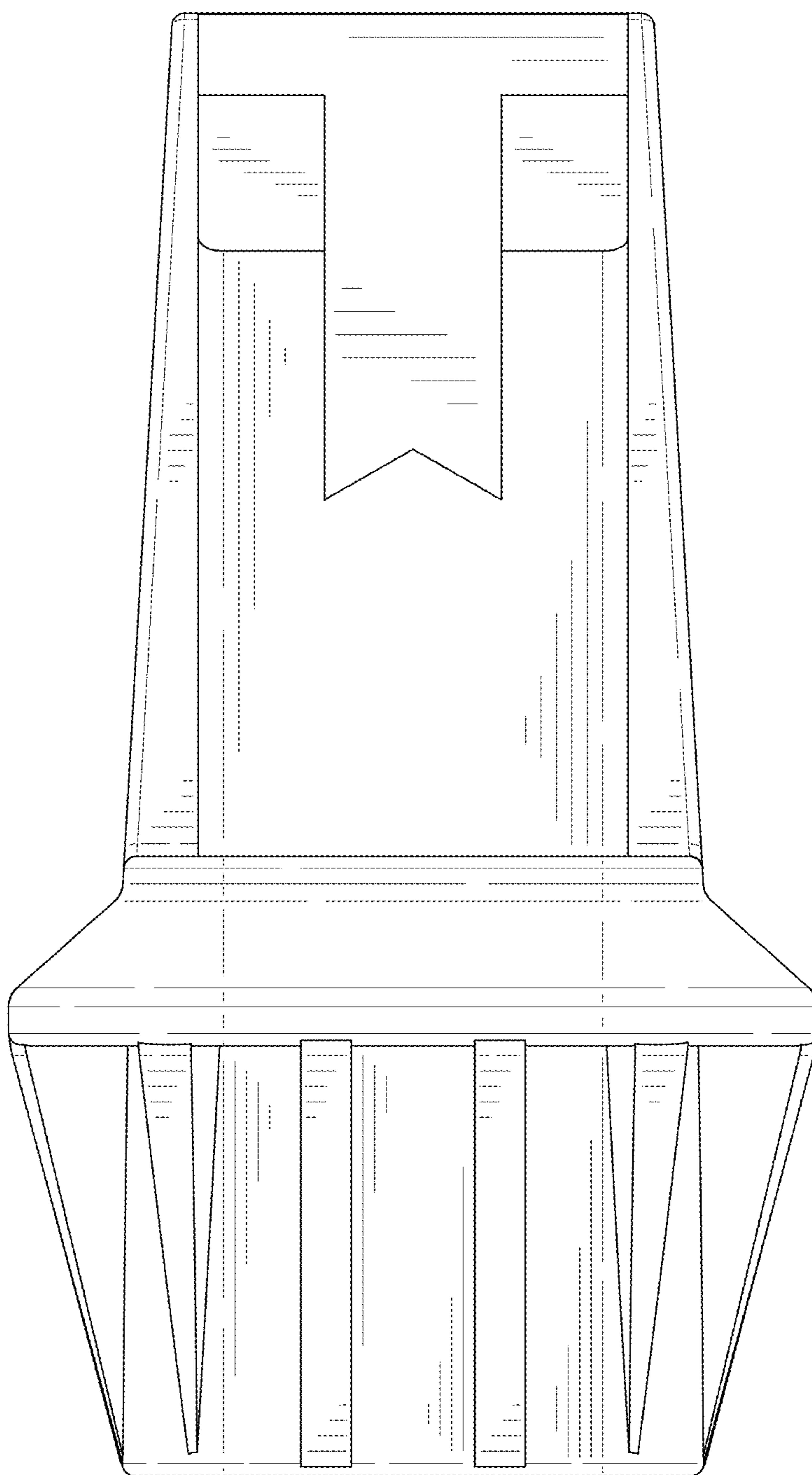


FIG. 3

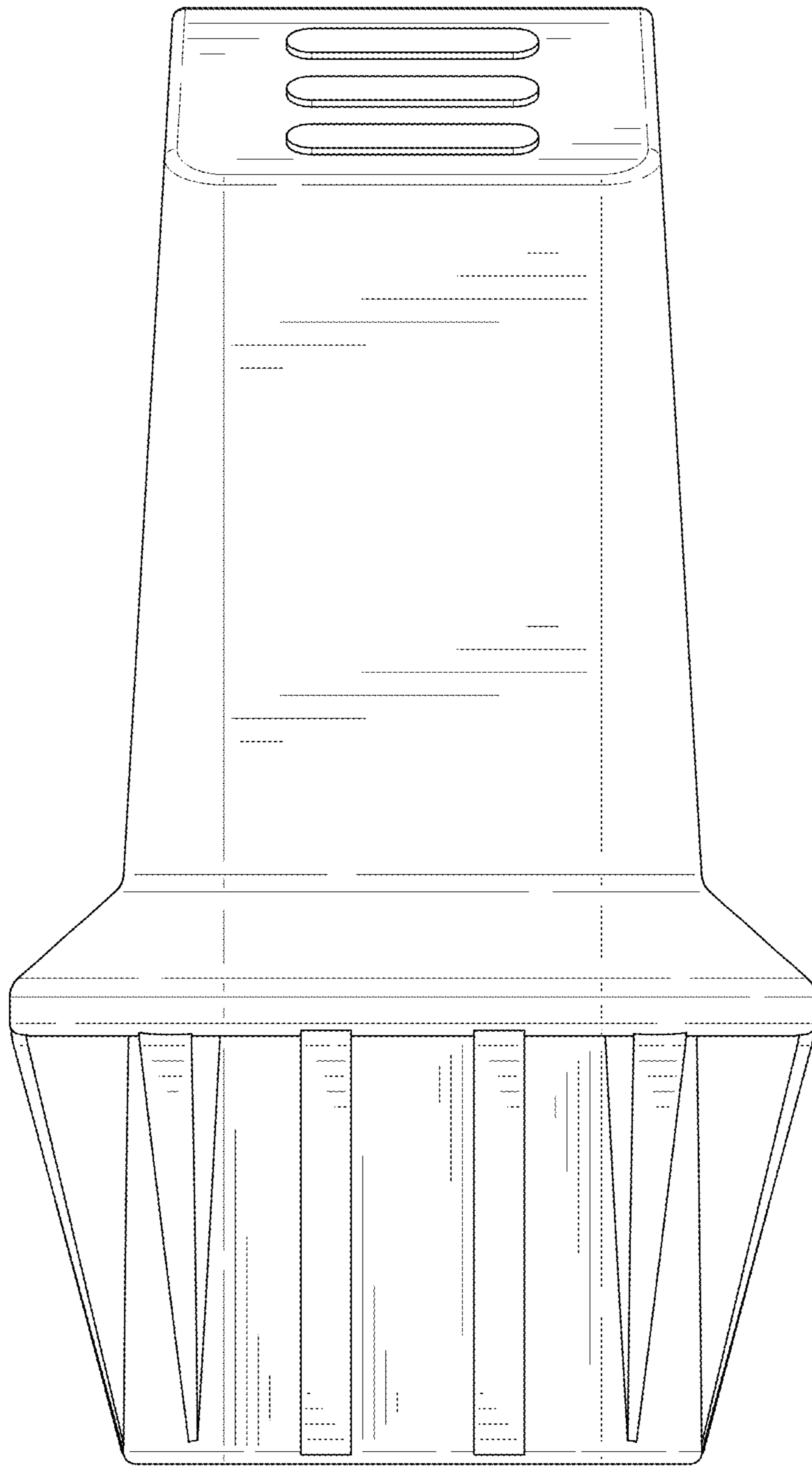


FIG. 4

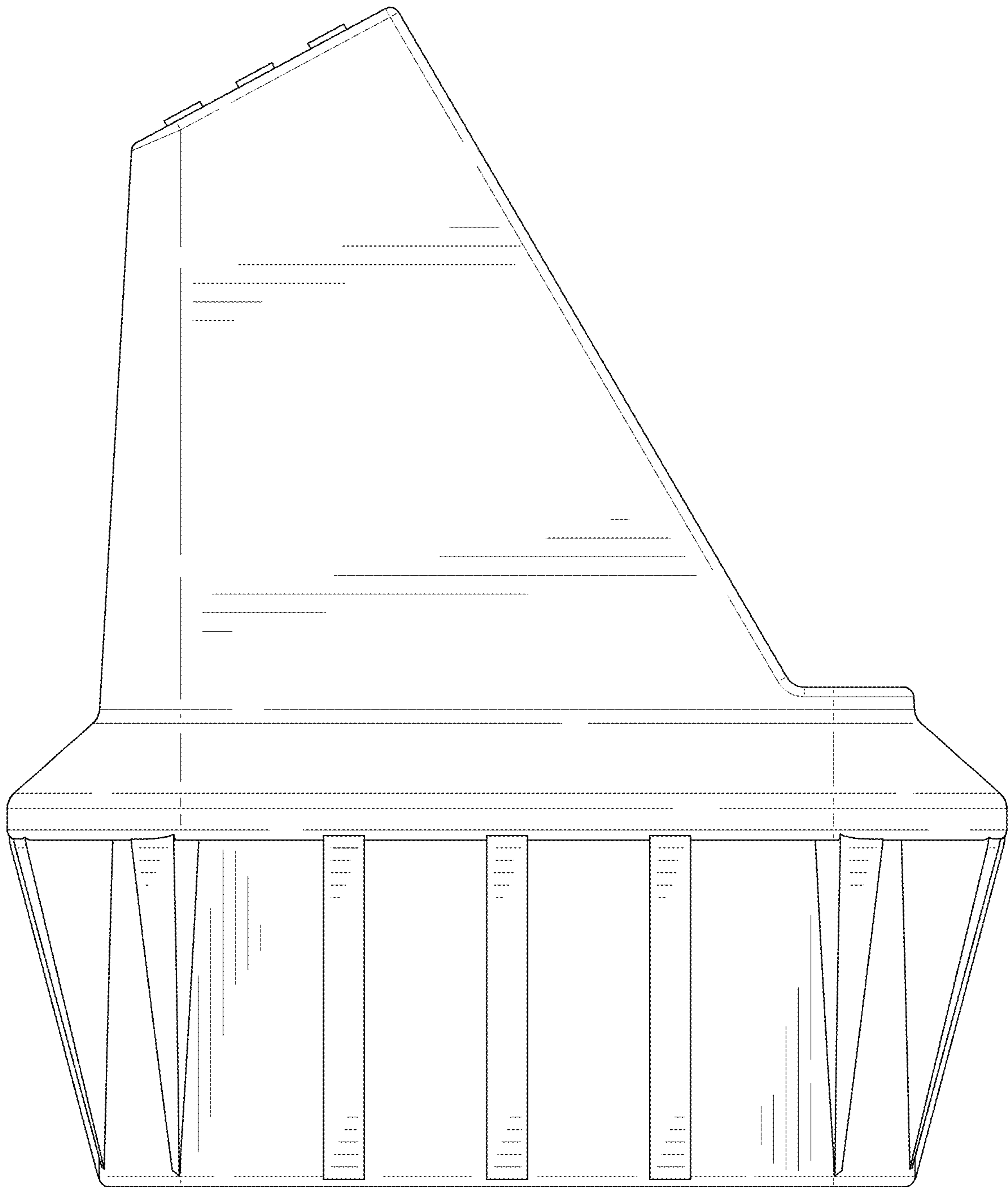


FIG. 5

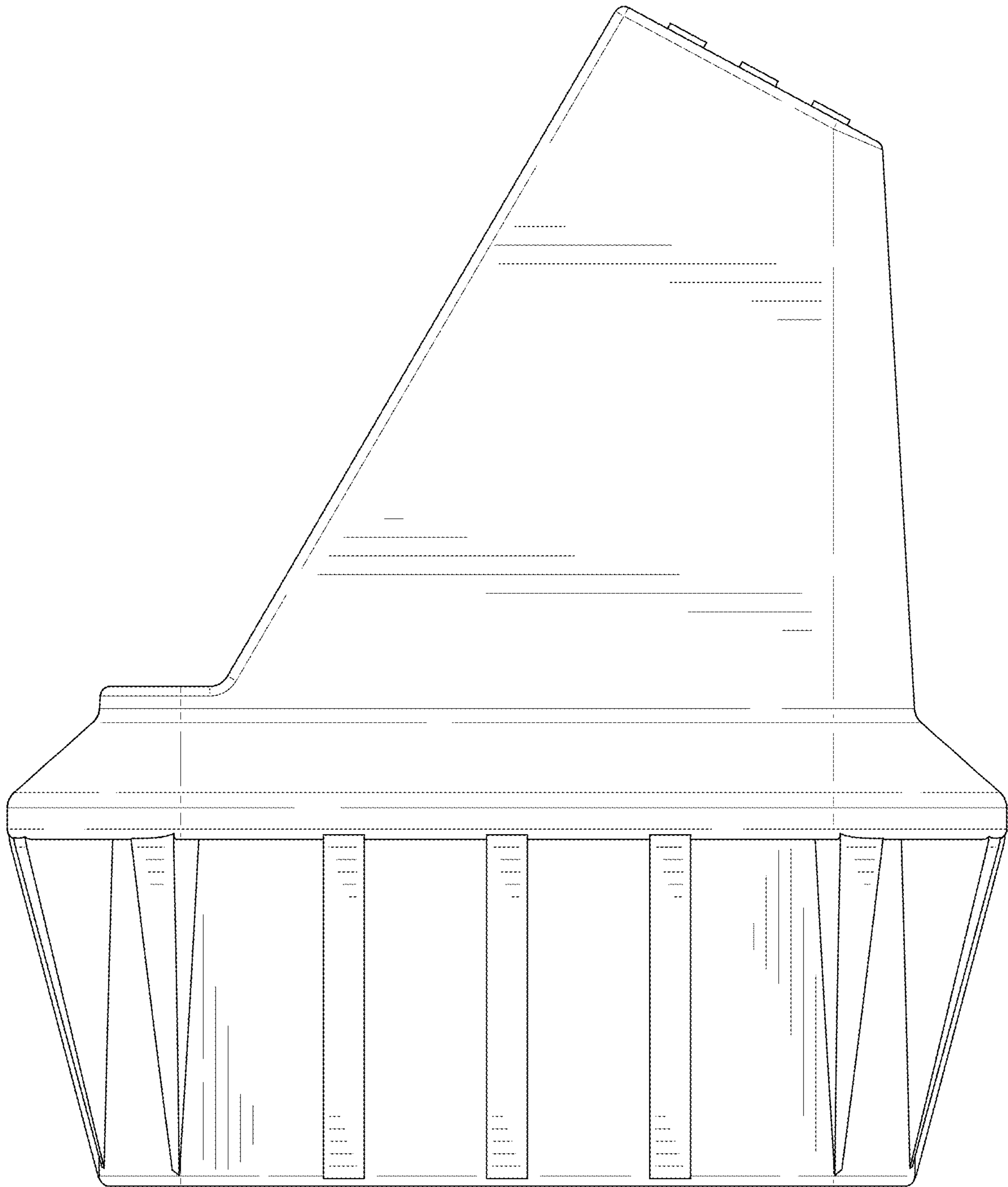


FIG. 6

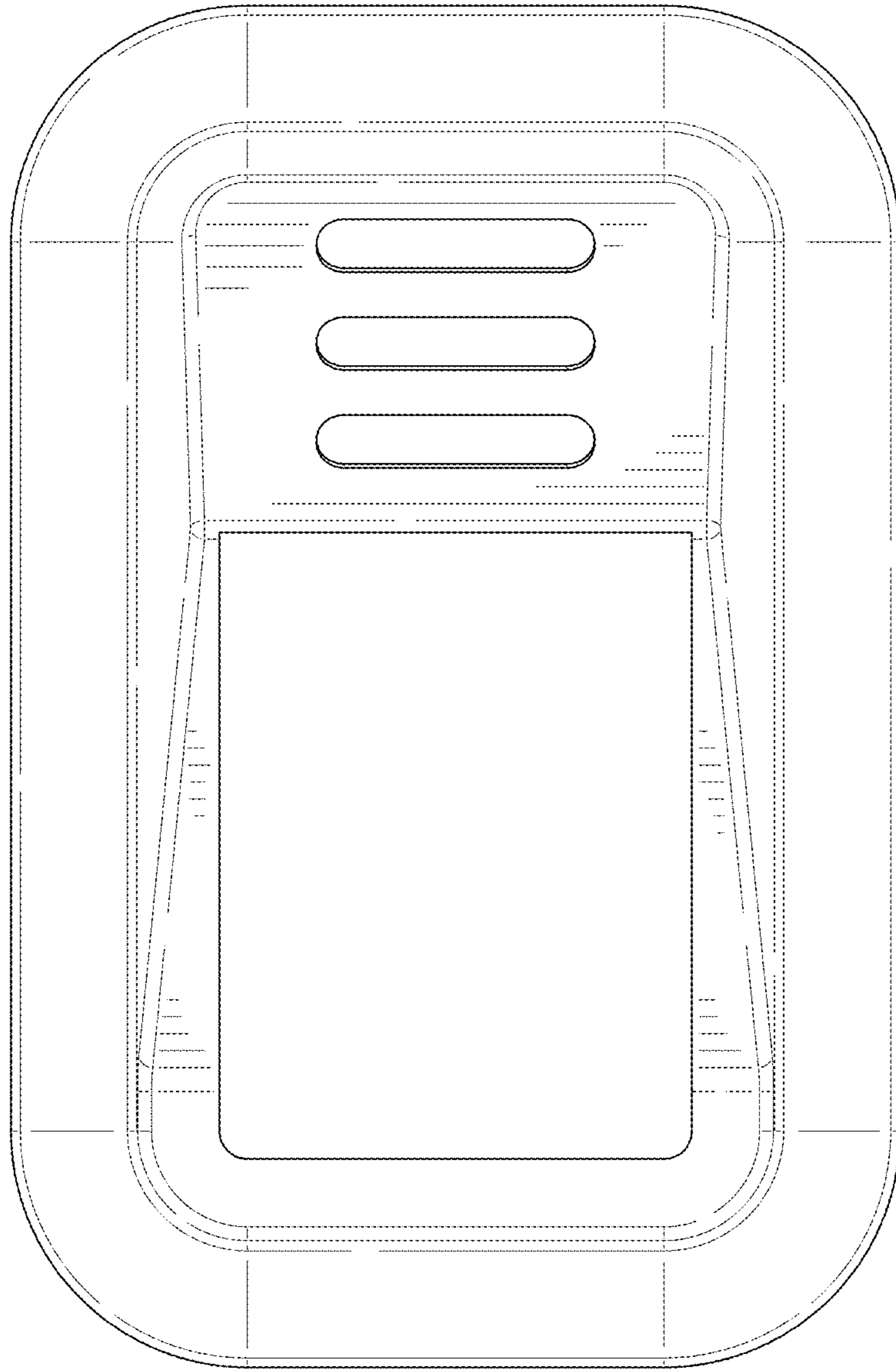


FIG. 7

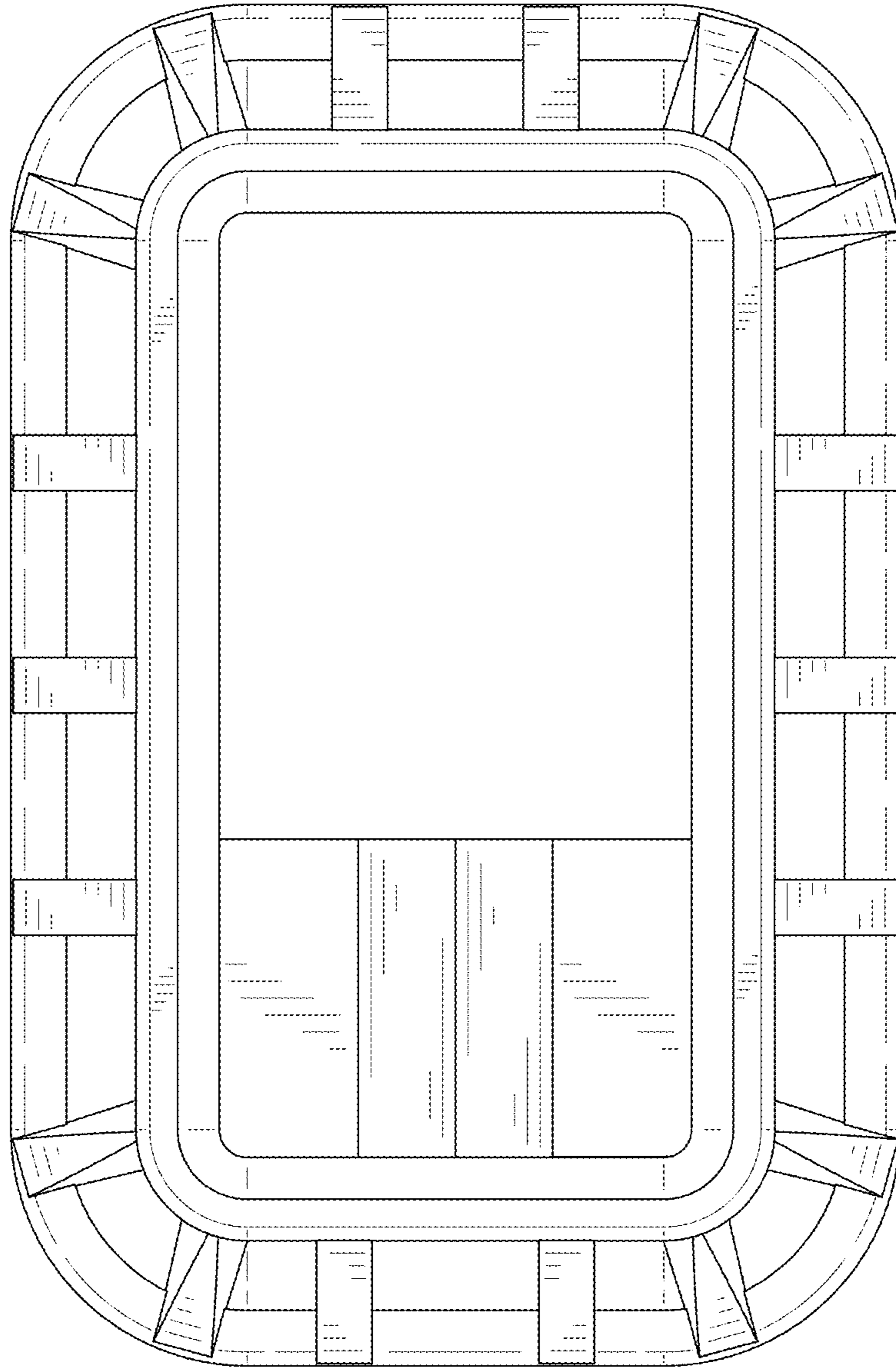


FIG. 8



US00D917000C1

(12) **EX PARTE REEXAMINATION CERTIFICATE** (12789th)
United States Patent
Huang

(10) **Number:** **US D917,000 C1**
(45) **Certificate Issued:** **Dec. 9, 2024**

(54) **MAGAZINE LOADER**
(71) Applicant: **Jieping Huang**, Yongzhou (CN)
(72) Inventor: **Jieping Huang**, Yongzhou (CN)

Reexamination Request:
No. 90/019,443, Mar. 8, 2024

Reexamination Certificate for:
Patent No.: **Des. 917,000**
Issued: **Apr. 20, 2021**
Appl. No.: **29/752,123**
Filed: **Sep. 25, 2020**

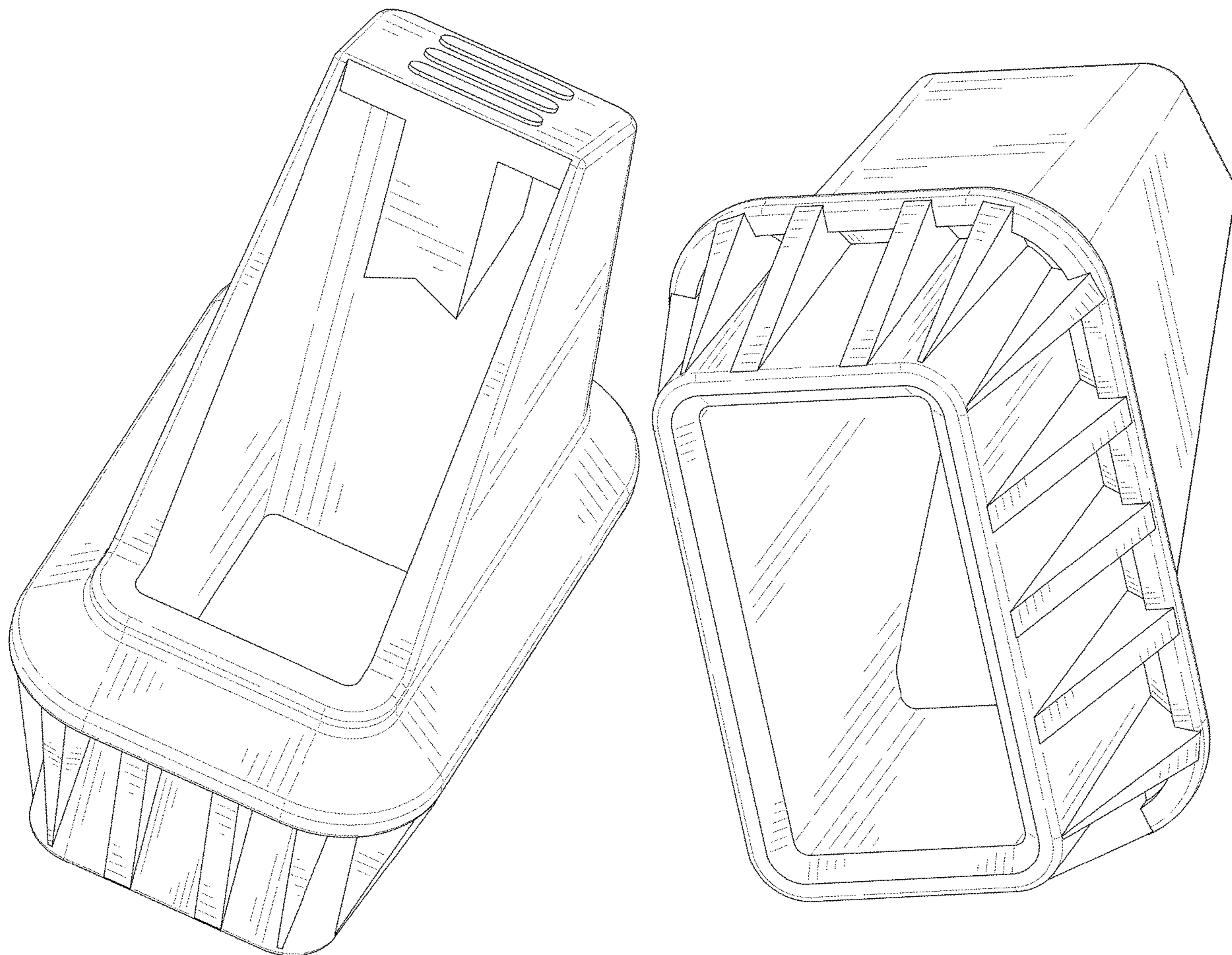
(51) **LOC (14) Cl.** **22-01**

(52) **U.S. Cl.**
USPC **D22/108**
(58) **Field of Classification Search**
USPC D22/108
CPC F41A 9/83; F41A 9/82
See application file for complete search history.

(56) **References Cited**

To view the complete listing of prior art documents cited during the proceeding for Reexamination Control Number 90/019,443, please refer to the USPTO's Patent Electronic System.

Primary Examiner — Philip S Hyder



1
EX PARTE
REEXAMINATION CERTIFICATE

THE PATENT IS HEREBY AMENDED AS
INDICATED BELOW.

5

AS A RESULT OF REEXAMINATION, IT HAS BEEN
DETERMINED THAT:

The claim 1 is cancelled.

10

* * * * *