



US00D916999S

(12) **United States Design Patent** (10) **Patent No.:** **US D916,999 S**  
**Barker** (45) **Date of Patent:** **\*\* Apr. 20, 2021**

(54) **OUTDOOR STORAGE TENT**  
(71) Applicant: **12 Thrasio Twelve, Inc.**, Medfield, MA (US)  
(72) Inventor: **George V. Barker**, San Diego, CA (US)  
(73) Assignee: **12 Thrasio Twelve, Inc.**, Walpole, MA (US)  
(\*\*) Term: **15 Years**  
(21) Appl. No.: **29/697,163**  
(22) Filed: **Jul. 4, 2019**  
(51) **LOC (13) Cl.** ..... **21-04**  
(52) **U.S. Cl.**  
USPC ..... **D21/834**  
(58) **Field of Classification Search**  
USPC ..... D21/834-838; D12/56  
CPC ..... E04H 15/00; E04H 15/003; E04H 15/18;  
E04H 15/28; E04H 15/32; E04H 15/34;  
E04H 15/40; E04H 15/405; E04H 15/42;  
E04H 15/425; E04H 15/44; E04H 15/52  
See application file for complete search history.

D333,646 S 3/1993 Levy  
D338,052 S 8/1993 MacMorris  
D339,781 S 9/1993 Hassan  
D341,275 S 11/1993 van den Nieuwelaar  
D345,122 S 3/1994 Lloyd  
D352,690 S 11/1994 Schorr  
D355,405 S 2/1995 Sligh  
D367,776 S 3/1996 Lohroff  
D394,638 S 5/1998 Weiner et al.  
5,884,646 A 3/1999 Ju  
D420,414 S 2/2000 Lah  
D437,149 S 2/2001 Klein  
D445,396 S 7/2001 Wood  
D446,046 S 8/2001 Aeberhard  
D446,965 S 8/2001 Lopes  
D468,793 S 1/2003 Ragatz  
D510,972 S \* 10/2005 Wehner ..... D21/834  
D511,196 S \* 11/2005 Wehner ..... D21/834  
D516,155 S 2/2006 Goodwin et al.  
D574,918 S 8/2008 McAlister

(Continued)

*Primary Examiner* — Cynthia M. Chin  
(74) *Attorney, Agent, or Firm* — Zeller IP Group, PLLC;  
Kyle M. Zeller

(57) **CLAIM**

The ornamental design for an outdoor storage tent, as shown and described.

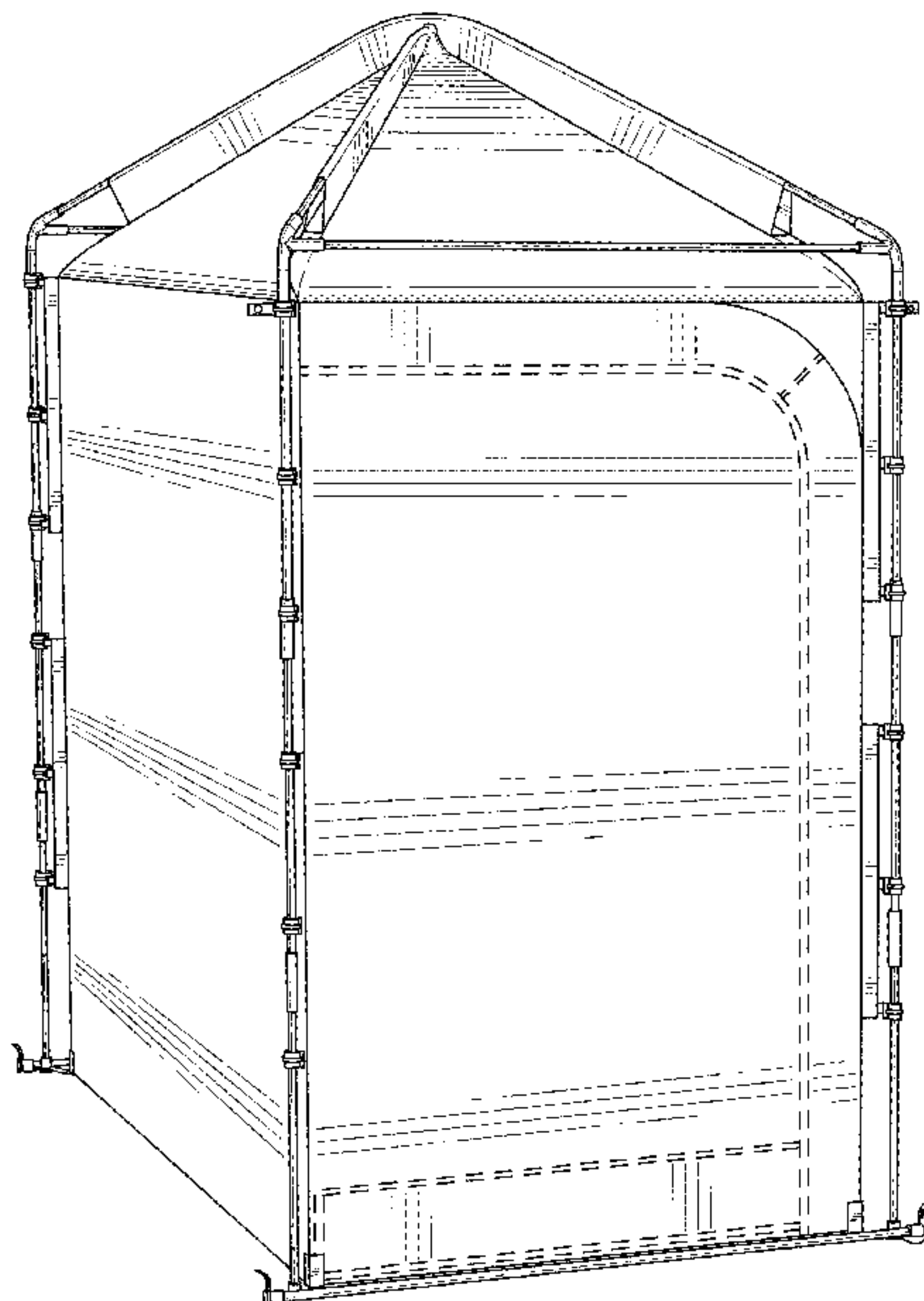
**DESCRIPTION**

FIG. 1 is a front perspective view of the present invention; FIG. 2 is a rear isomeric view thereof; FIG. 3 is a front view thereof; FIG. 4 is a rear view thereof; FIG. 5 is a right-side view thereof; FIG. 6 is a left-side view thereof; and, FIG. 7 is a top plan view in elevation of the invention of FIG. 1.

1. The broken lines shown on FIGS. 1 and 3 represent lines of stitching and form part of the claimed design.

**1 Claim, 7 Drawing Sheets**

(56) **References Cited**  
U.S. PATENT DOCUMENTS  
3,027,189 A 3/1962 Scott  
D229,241 S 11/1973 Pohl  
3,799,608 A 3/1974 Smutny et al.  
4,067,346 A \* 1/1978 Husted ..... E04H 15/001  
135/153  
D299,817 S 2/1989 Wolcott et al.  
4,938,243 A \* 7/1990 Foster ..... E04H 15/001  
135/128  
D318,446 S 7/1991 Magyar et al.  
D322,055 S 12/1991 Bruce et al.  
D328,727 S 8/1992 Wallhead



(56)

**References Cited**

U.S. PATENT DOCUMENTS

D593,770	S	6/2009	Marrone	
7,775,230	B2	8/2010	Lau	
D652,885	S	1/2012	Frey	
D661,513	S	6/2012	Barker et al.	
D689,579	S	9/2013	Barker	
D705,884	S	5/2014	Jin	
8,869,814	B2 *	10/2014	Jin .....	E04H 15/34 135/94
D753,254	S	4/2016	Brensinger et al.	
D775,702	S	1/2017	Barker	
9,758,986	B1 *	9/2017	Moore .....	E04H 15/16
D814,387	S	4/2018	Barker	
D831,147	S *	10/2018	Cropley .....	D21/834
D831,148	S *	10/2018	Ferrara .....	D21/838
D845,422	S *	4/2019	Chaklos .....	D21/834
2005/0055893	A1 *	3/2005	Goodwin .....	E04H 15/06 52/79.1
2016/0348394	A1 *	12/2016	Chen .....	E04H 15/42

\* cited by examiner

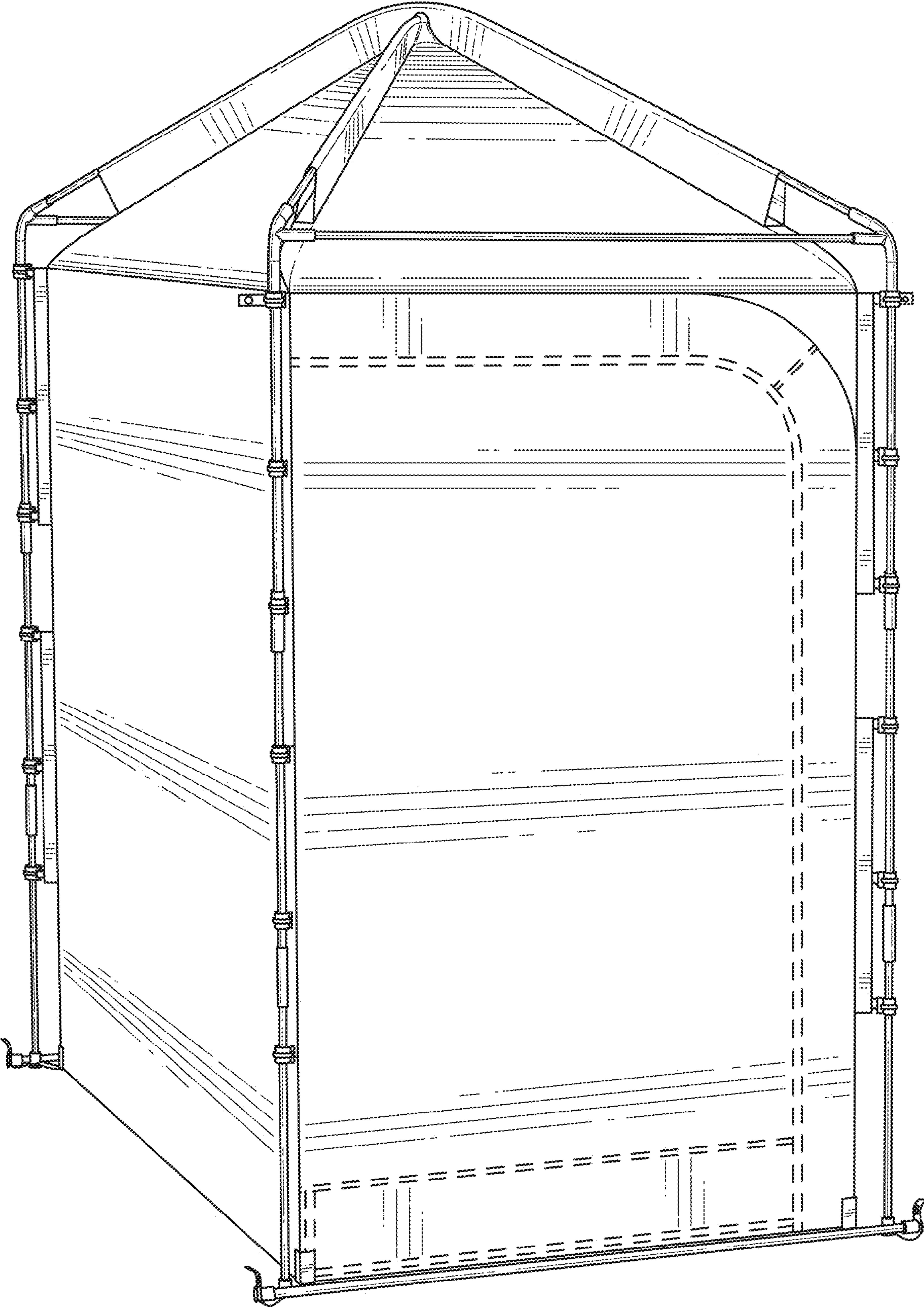


FIG. 1



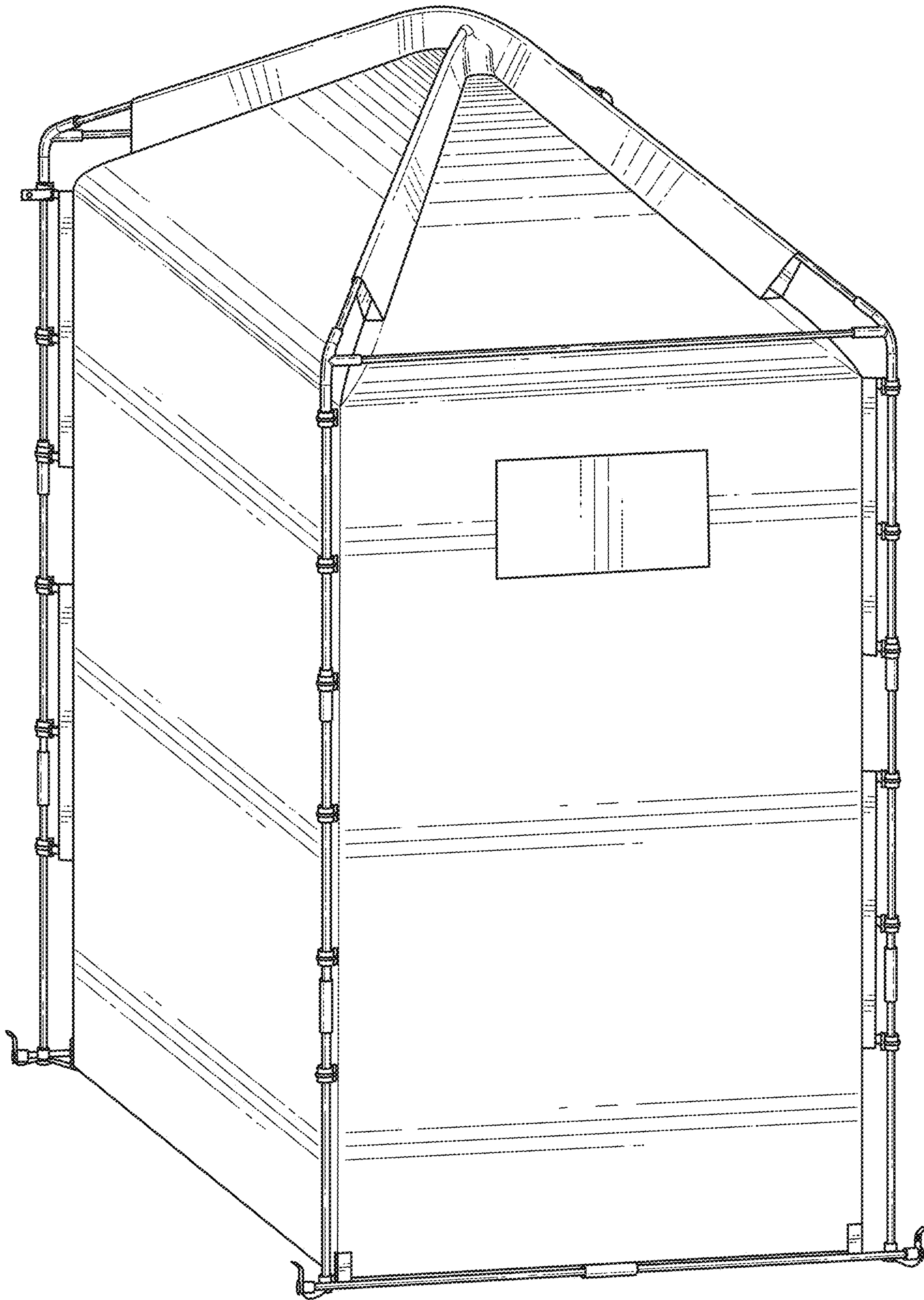


FIG. 2

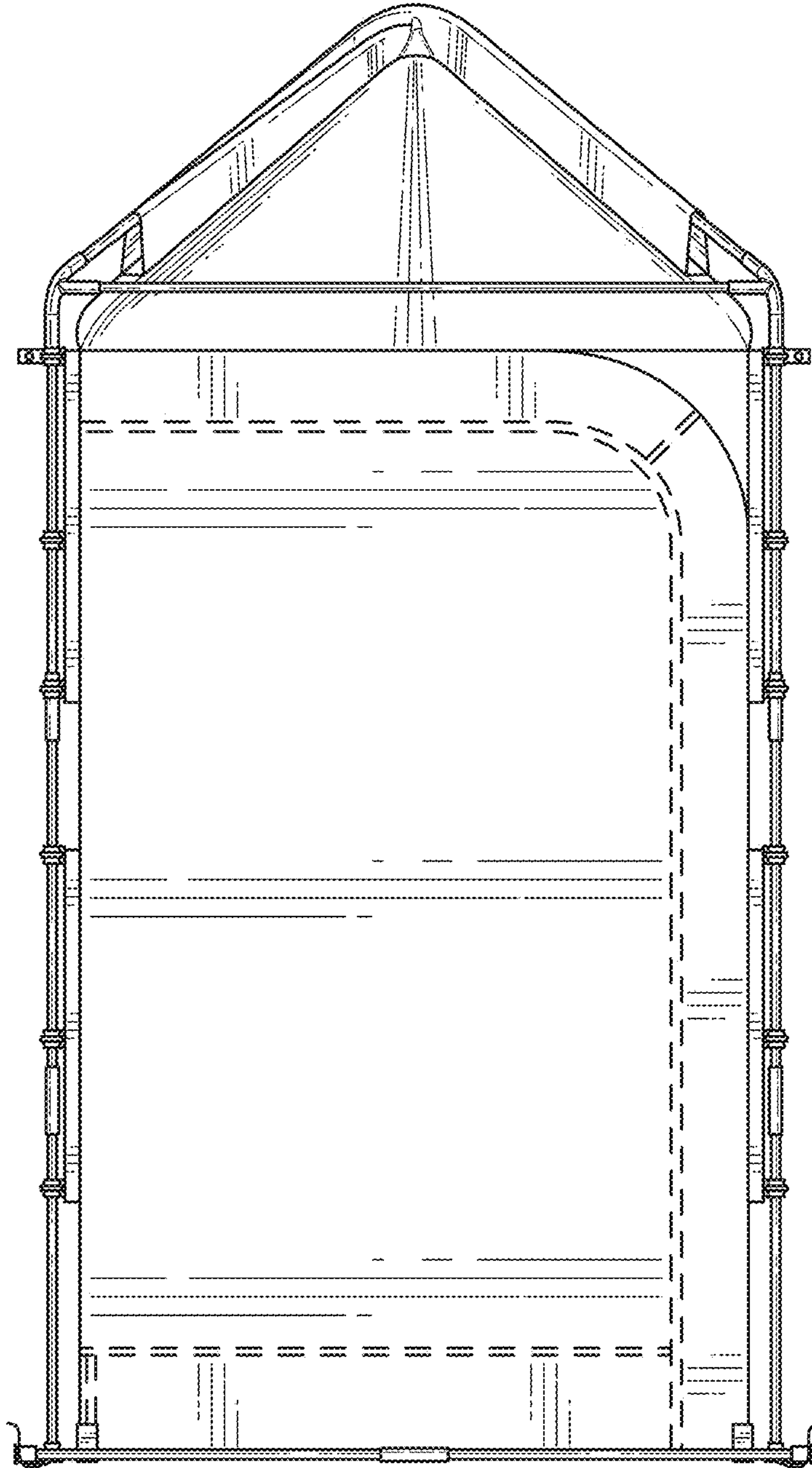


FIG. 3

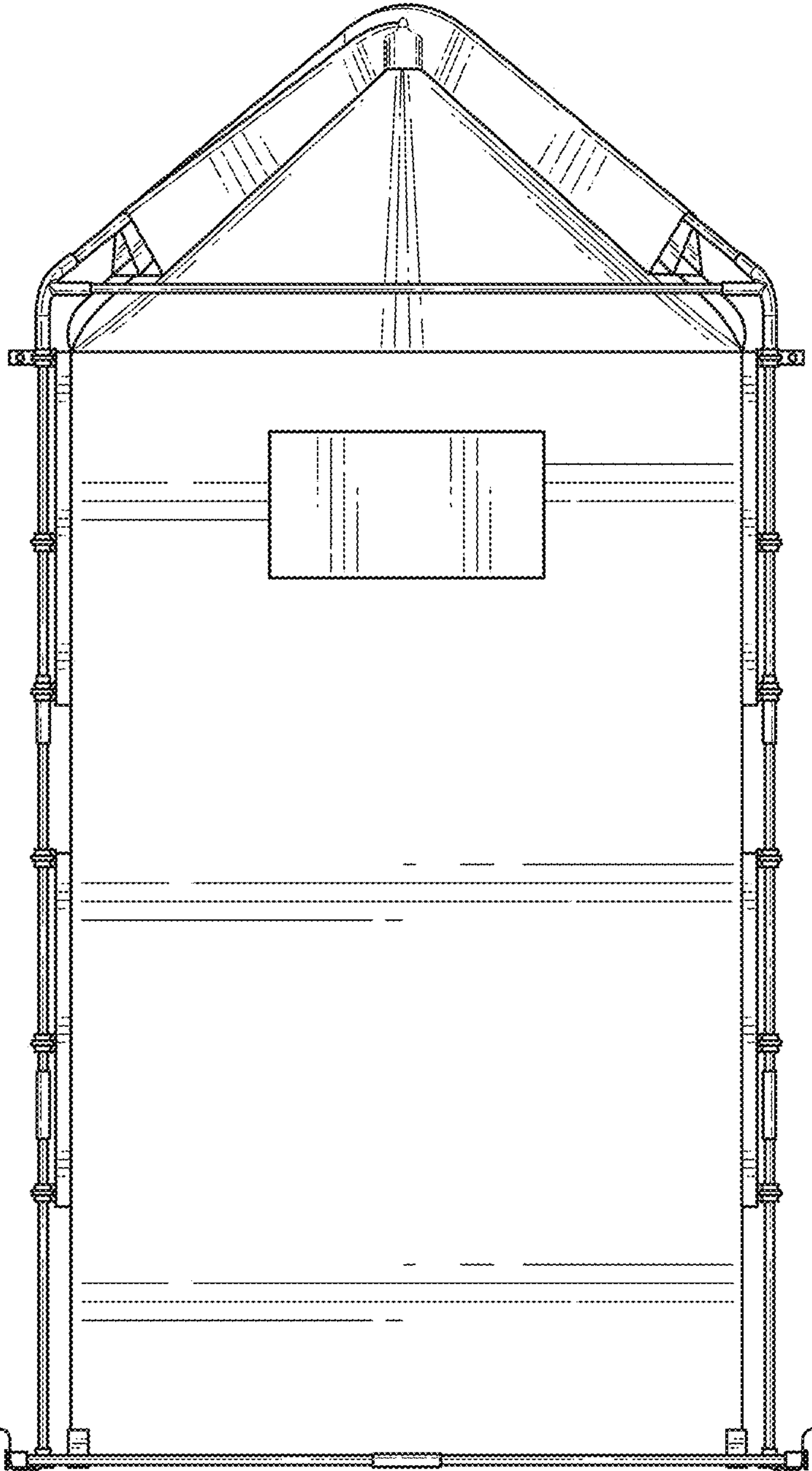


FIG. 4

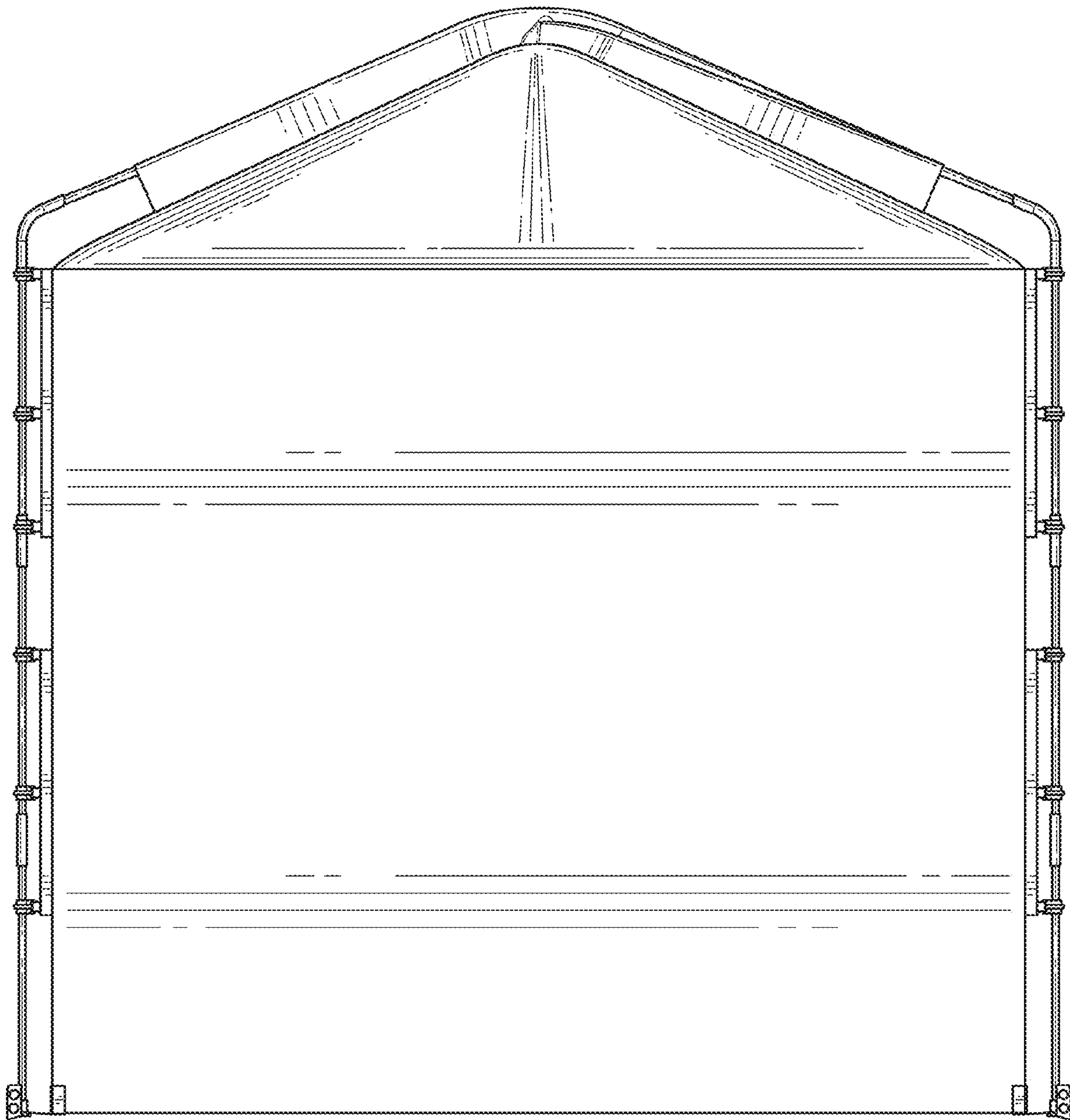


FIG. 5



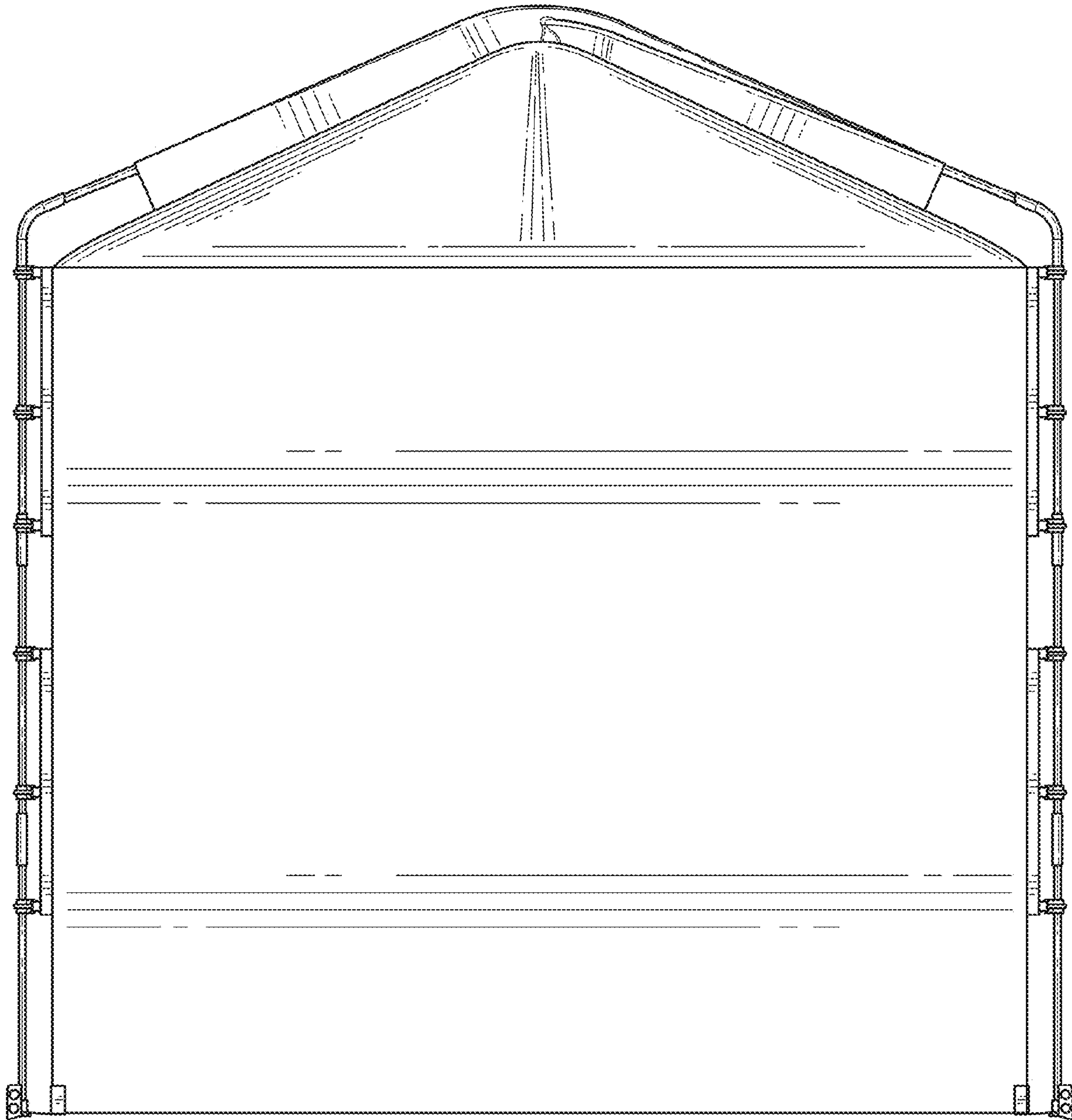


FIG. 6



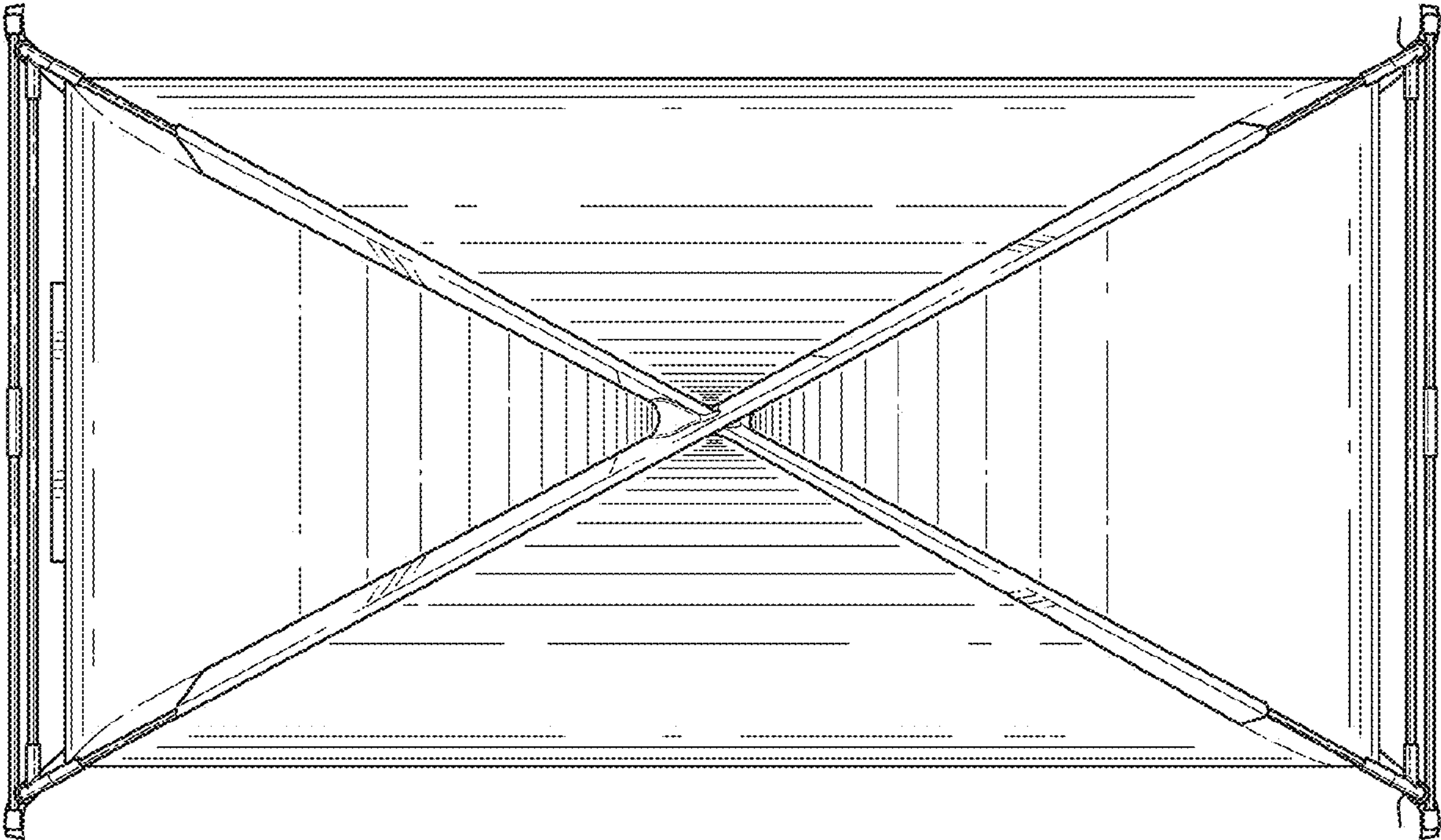


FIG. 7