



US00D916998S

(12) **United States Design Patent** (10) **Patent No.:** **US D916,998 S**  
**Scott** (45) **Date of Patent:** **\*\* Apr. 20, 2021**

(54) **SPINNING PLAYGROUND APPARATUS**  
(71) Applicant: **Sport Squad, Inc.**, Rockville, MD (US)  
(72) Inventor: **Greg Scott**, Lewisburg, PA (US)  
(73) Assignee: **Sport Squad, Inc.**, Rockville, MD (US)  
(\*\*) Term: **15 Years**  
(21) Appl. No.: **29/684,999**  
(22) Filed: **Mar. 25, 2019**  
(51) **LOC (13) Cl.** ..... **21-03**  
(52) **U.S. Cl.**  
USPC ..... **D21/830**  
(58) **Field of Classification Search**  
USPC ..... D21/811, 814, 826, 827, 831-833  
CPC ..... A63B 9/00; A63B 2009/004; A63B  
2009/006; A63B 2208/12; A63B 17/00;  
A63B 2009/002  
See application file for complete search history.

5,997,403 A \* 12/1999 Fonti ..... A63B 19/04  
472/131  
6,302,824 B1 \* 10/2001 MacAdam ..... A63B 9/00  
482/33  
7,047,906 B1 \* 5/2006 Hendricks ..... A01K 31/12  
119/537  
D531,692 S \* 11/2006 Kvistad ..... D21/827  
D568,434 S \* 5/2008 Wingerstahn ..... D21/811  
7,578,745 B2 \* 8/2009 Wingerstahn ..... A63G 1/12  
472/18  
D631,930 S \* 2/2011 Krauss ..... D21/830  
D714,412 S \* 9/2014 Astle ..... D21/814  
D798,982 S \* 10/2017 O'Brien ..... D21/797

\* cited by examiner

*Primary Examiner* — Mitchell I. Siegel  
(74) *Attorney, Agent, or Firm* — Muskin and Farmer LLC

(57) **CLAIM**

The ornamental design for a spinning playground apparatus, as shown and described.

(56) **References Cited**

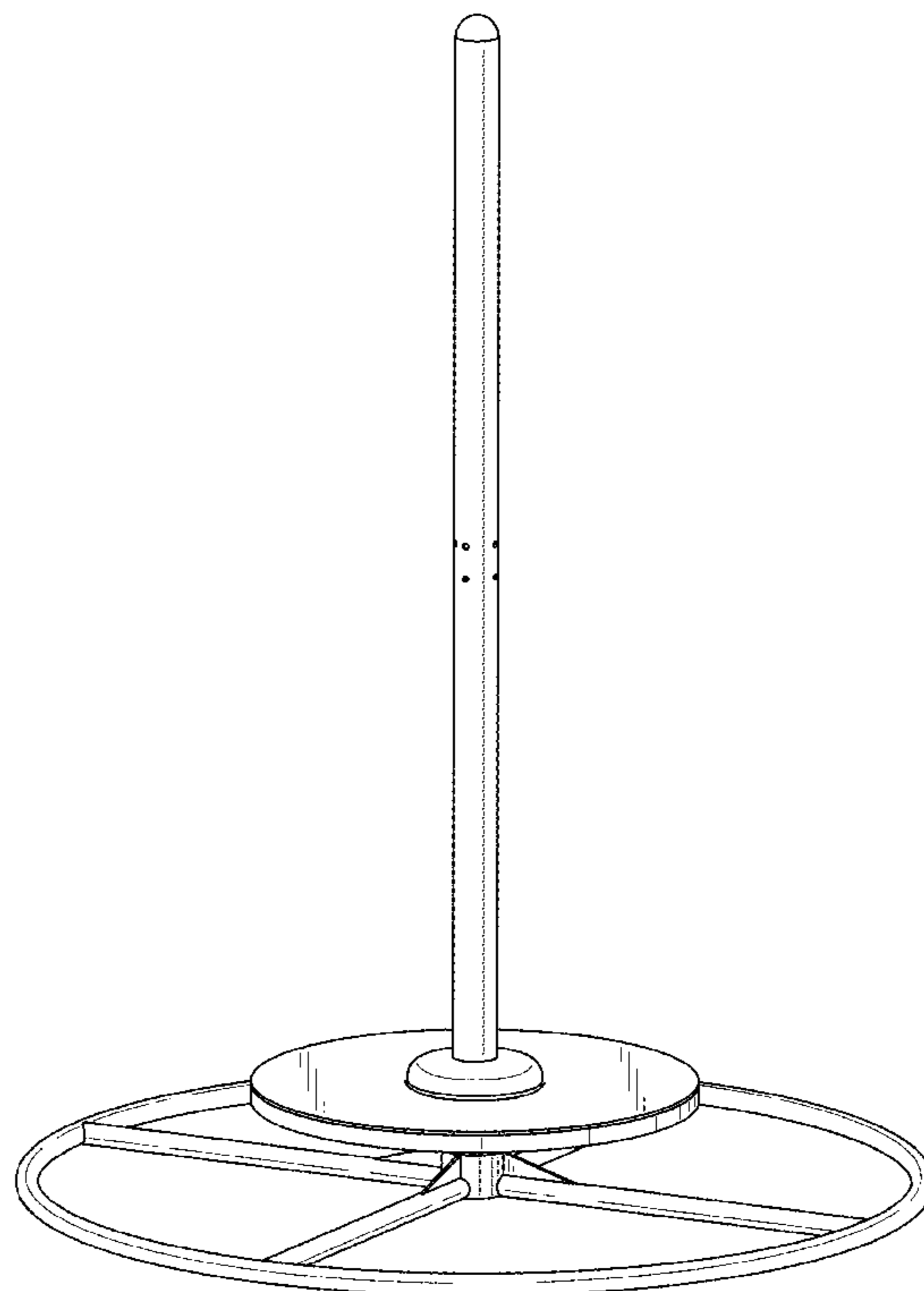
U.S. PATENT DOCUMENTS

1,916,809 A \* 7/1933 Patterson ..... A63G 1/14  
472/14  
D196,521 S \* 10/1963 Stefe ..... D21/827  
D215,946 S \* 11/1969 Wormser ..... D21/826  
D316,889 S \* 5/1991 Smith ..... D21/830  
D362,291 S \* 9/1995 Franco ..... D21/820  
D381,057 S \* 7/1997 Strawcutter ..... D21/814  
5,720,524 A \* 2/1998 Hall ..... A47C 3/18  
108/65  
D403,040 S \* 12/1998 Koutsouflakis ..... D21/811

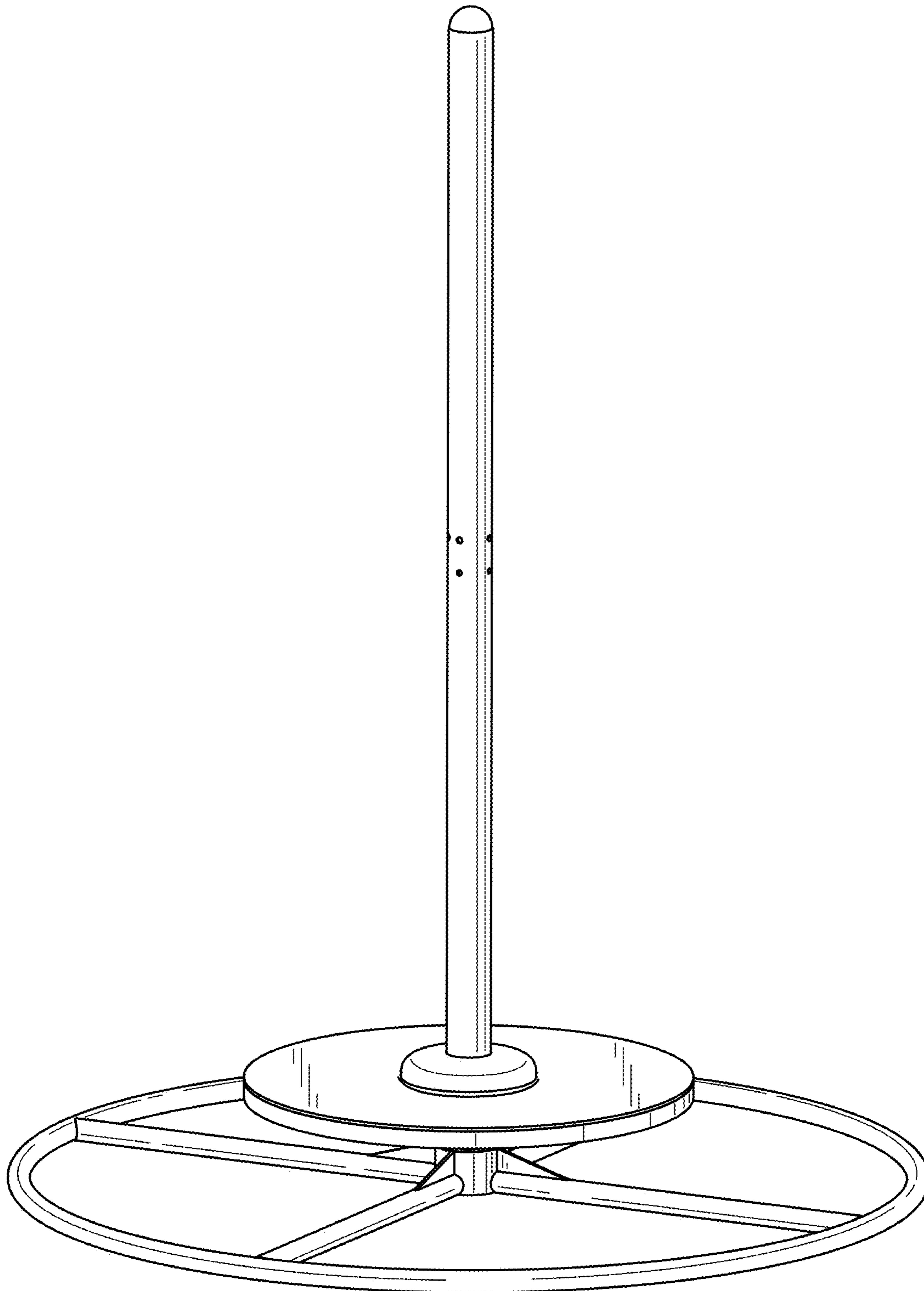
**DESCRIPTION**

FIG. 1 is an orthographic view of a spinning playground apparatus showing my new design;  
FIG. 2 is a front view of the new design;  
FIG. 3 is a right side view of the new design;  
FIG. 4 is a rear view of the new design;  
FIG. 5 is a left side view of the new design;  
FIG. 6 is a top view of the new design; and,  
FIG. 7 is a bottom view of the new design.

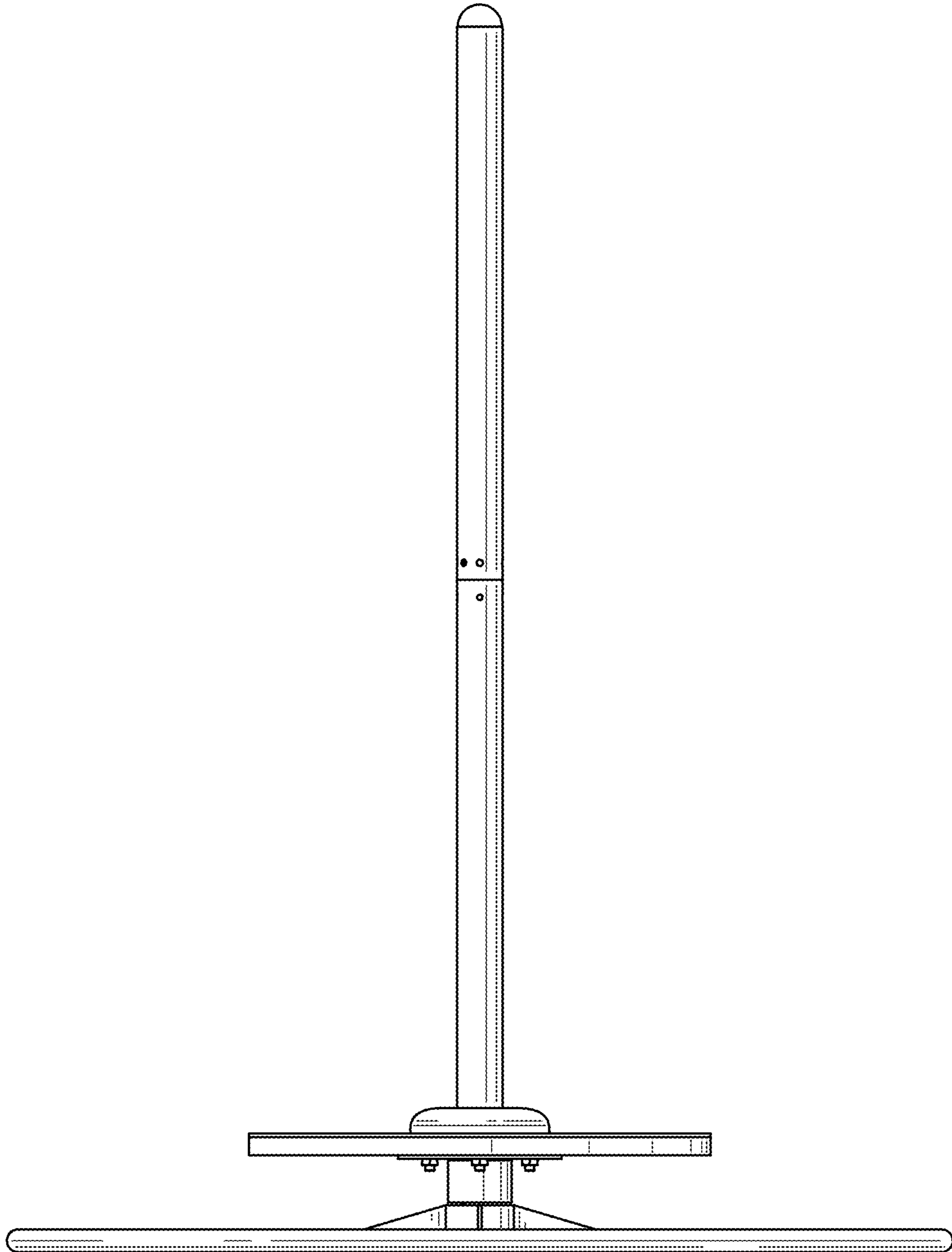
**1 Claim, 7 Drawing Sheets**



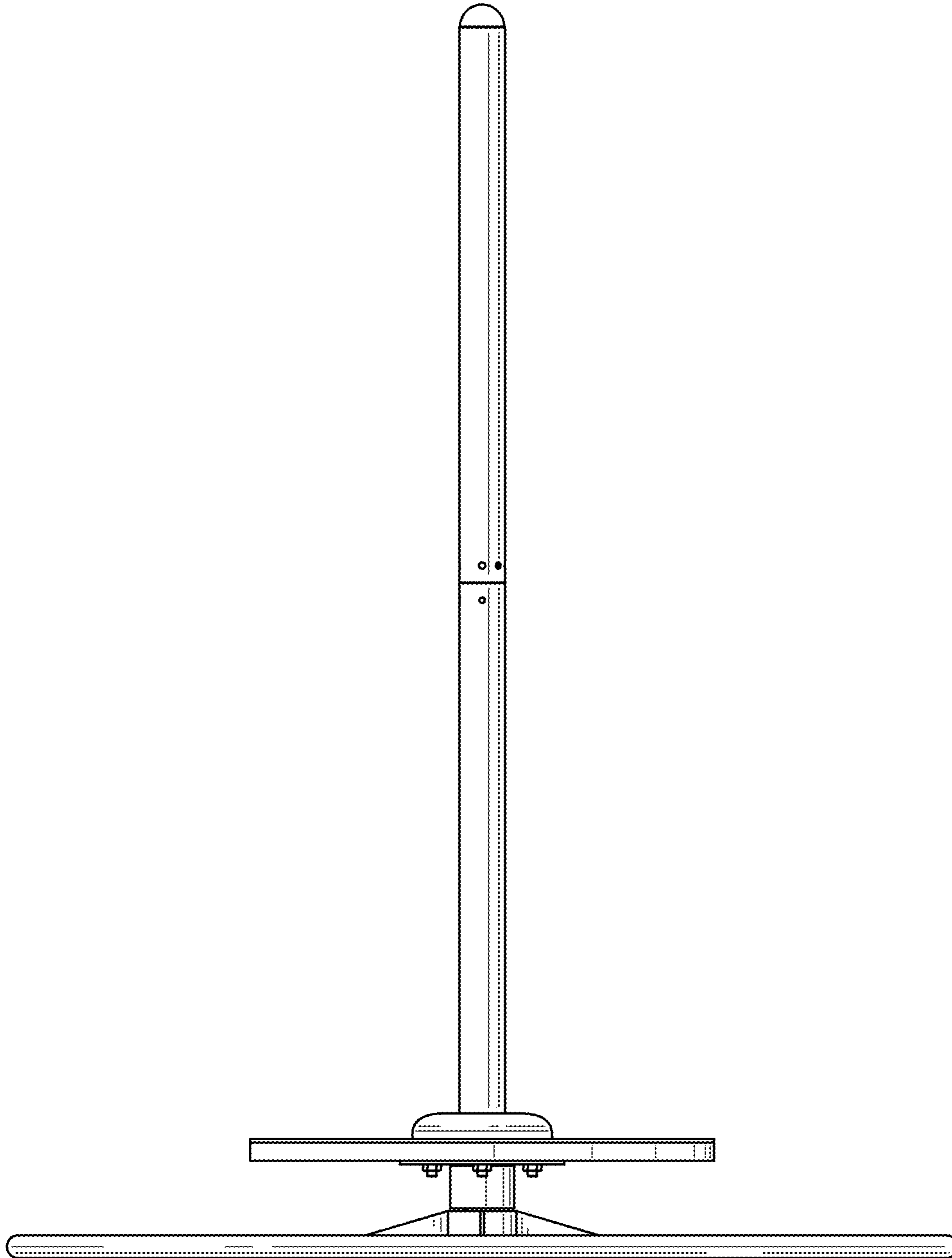
*FIG. 1*



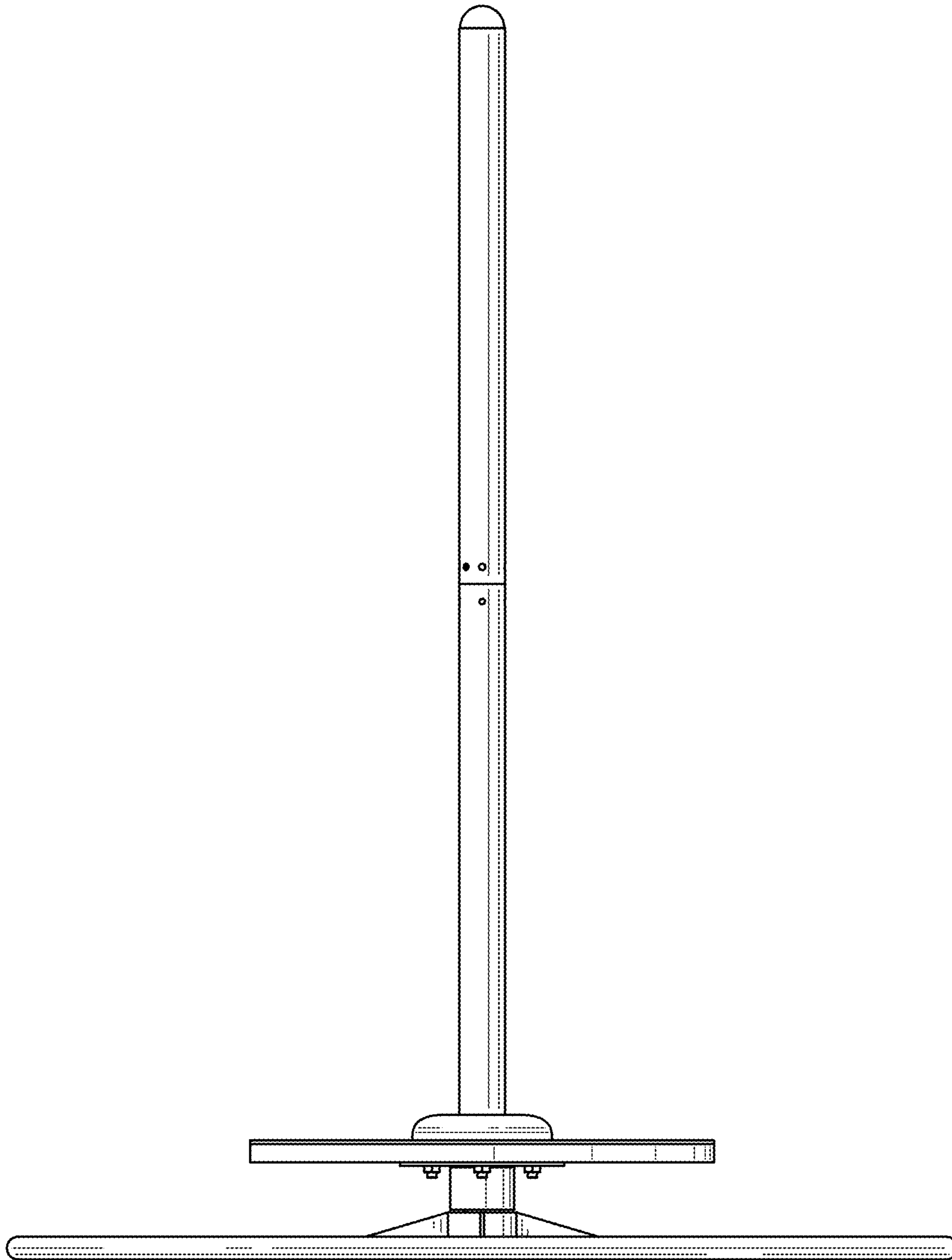
*FIG. 2*



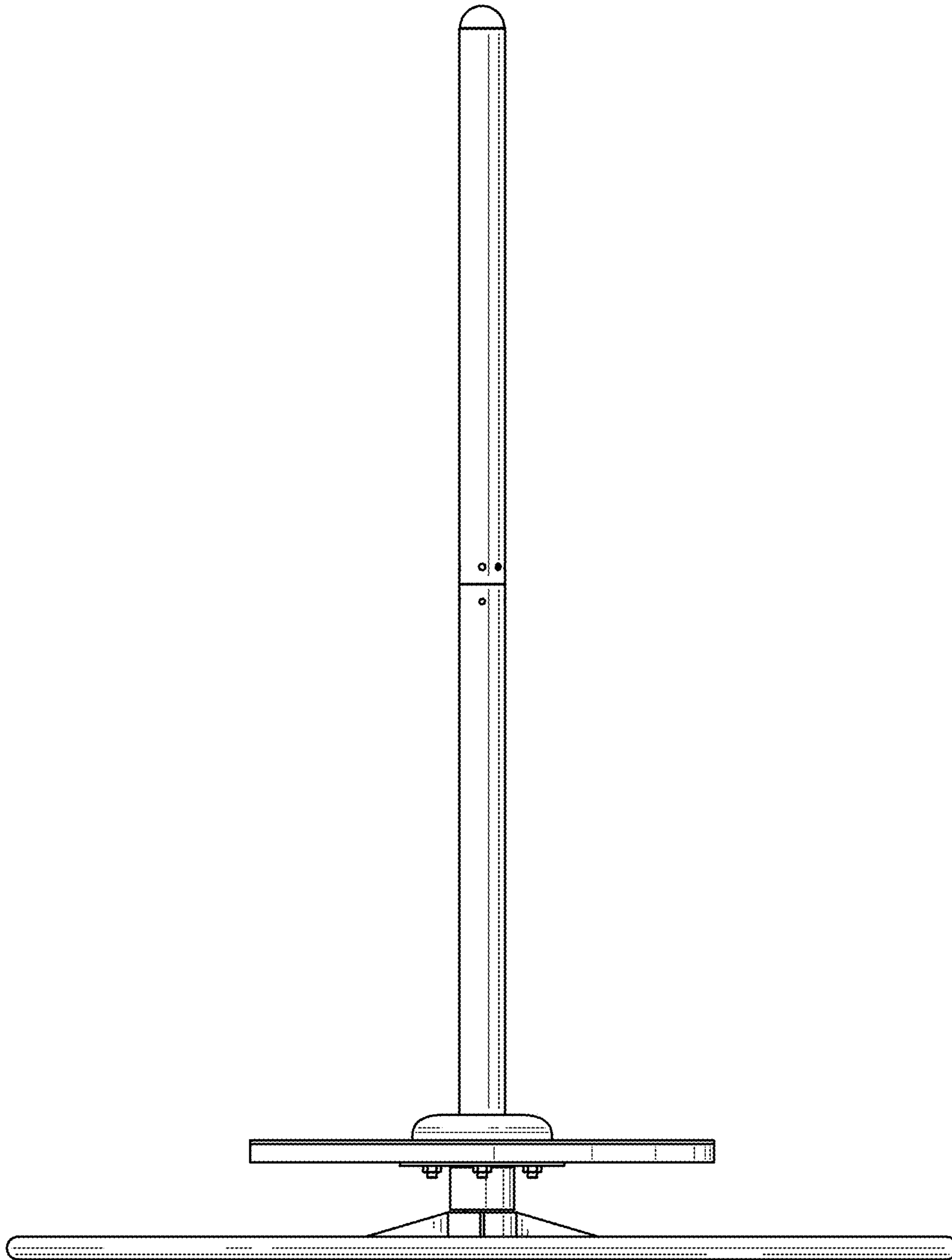
*FIG. 3*



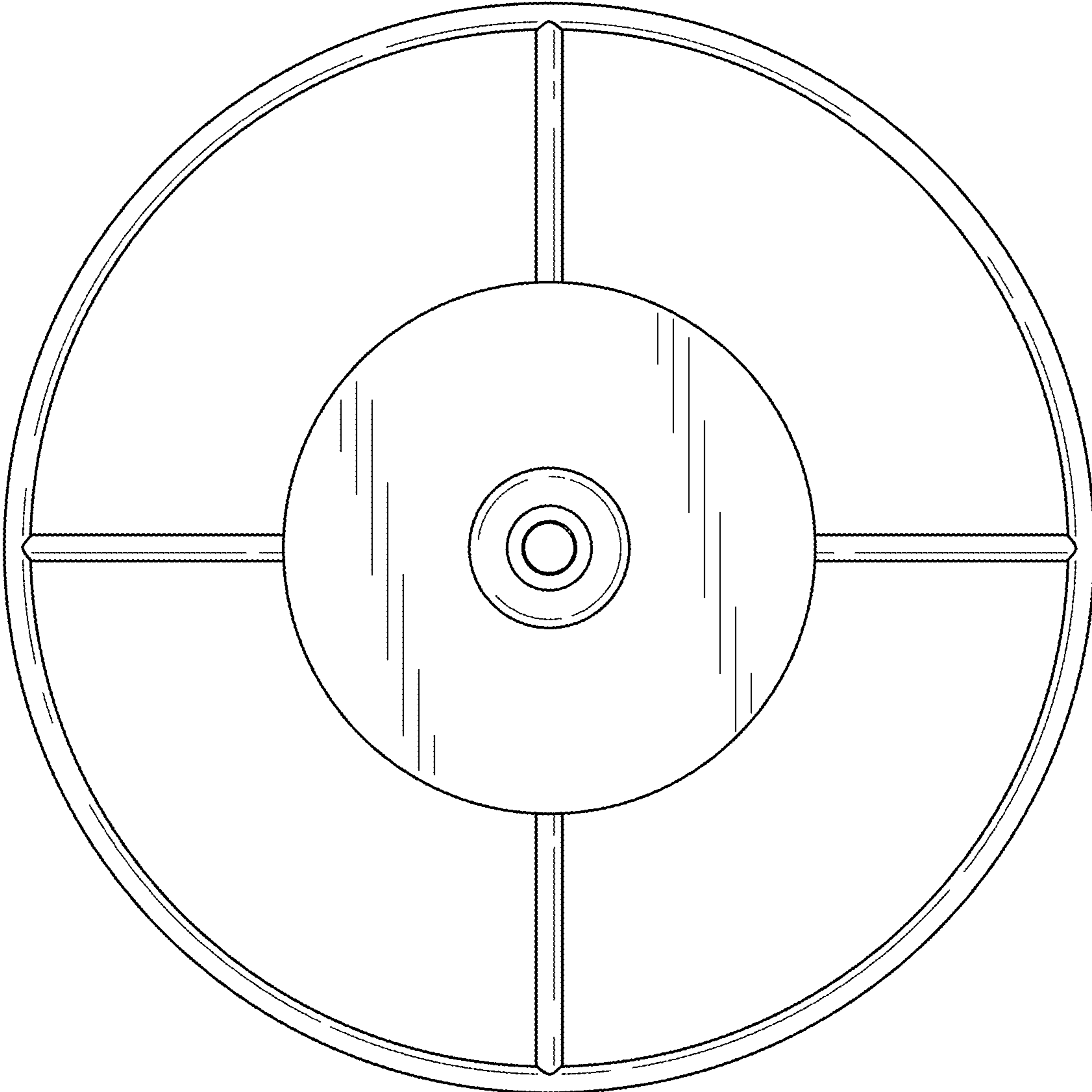
*FIG. 4*



*FIG. 5*



***FIG. 6***



***FIG. 7***

