



US00D916996S

(12) **United States Design Patent** (10) **Patent No.:** **US D916,996 S**
Scott (45) **Date of Patent:** **** Apr. 20, 2021**

(54) **THREE RING CLIMBING PLAYGROUND APPARATUS**
(71) Applicant: **Sport Squad, Inc.**, Rockville, MD (US)
(72) Inventor: **Greg Scott**, Lewisburg, PA (US)
(73) Assignee: **Sport Squad, Inc.**, Rockville, MD (US)
(**) Term: **15 Years**
(21) Appl. No.: **29/684,990**
(22) Filed: **Mar. 25, 2019**
(51) **LOC (13) Cl.** **21-03**
(52) **U.S. Cl.**
USPC **D21/826**
(58) **Field of Classification Search**
USPC D21/811, 814, 826, 827, 831-833
CPC A63B 9/00; A63B 2009/004; A63B 2009/006; A63B 2208/12; A63B 17/00; A63B 2009/002
See application file for complete search history.

D186,122 S * 9/1959 Zierhut D21/827
D187,138 S * 2/1960 Highberger D21/797
D187,380 S * 3/1960 Overton D21/827
D187,381 S * 3/1960 Overton D21/827
2,929,627 A * 3/1960 Scanlon A63B 9/00
482/36
D187,655 S * 4/1960 Wormser D21/827
D187,656 S * 4/1960 Wormser D21/827
D188,201 S * 6/1960 Epstein D21/826
2,956,806 A * 10/1960 Routson A63B 9/00
482/35
2,959,413 A * 11/1960 Rosenzweig A63B 9/00
482/35
D189,396 S * 12/1960 Wormser D21/827
D189,581 S * 1/1961 Williams et al. D21/818
D191,672 S * 10/1961 Haubert D21/826
D191,749 S * 11/1961 Haubert D21/827
D192,224 S * 2/1962 Haubert D21/827

(Continued)

Primary Examiner — Mitchell I. Siegel
(74) *Attorney, Agent, or Firm* — Muskin and Farmer LLC

(57) **CLAIM**

The ornamental design for a three ring climbing playground apparatus, as shown and described.

(56) **References Cited**

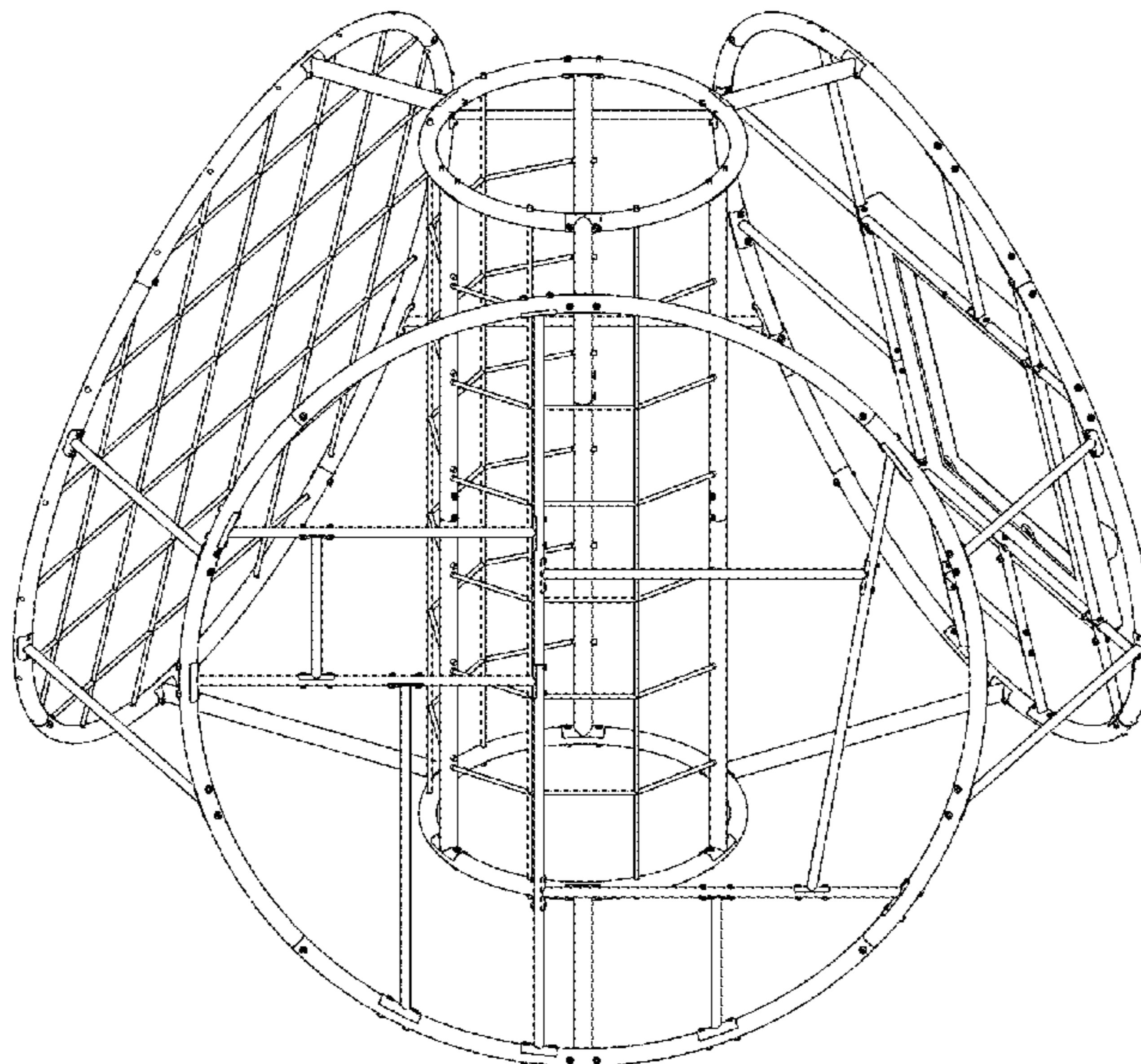
U.S. PATENT DOCUMENTS

1,901,964 A * 3/1933 Haskell A63B 9/00
482/36
D92,309 S * 5/1934 Home D21/826
D92,310 S * 5/1934 Home D21/826
D93,825 S * 11/1934 Home D21/826
D100,562 S * 7/1936 Home D21/826
D135,935 S * 7/1943 Miller D21/826
D160,419 S * 10/1950 Packer D21/826
D176,999 S * 3/1956 Ahrens D21/826
D177,871 S * 5/1956 Martens D21/826
D178,663 S * 9/1956 Horowitz D21/826
D180,402 S * 6/1957 Harris, Jr. D21/797
D184,197 S * 12/1958 Rosenzweig et al. D21/826
2,886,317 A * 5/1959 Overton A63B 9/00
482/36
D185,508 S * 6/1959 Overton D21/827

DESCRIPTION

FIG. 1 is an orthographic view of a three ring climbing playground apparatus showing my new design; FIG. 2 is a front view of the new design; FIG. 3 is a right side view of the new design; FIG. 4 is a rear view of the new design; FIG. 5 is a left side view of the new design; FIG. 6 is a top view of the new design; and, FIG. 7 is a bottom view of the new design. The broken lines shown are included for the purpose of illustrating unclaimed subject matter and forms no part of the claimed design.

1 Claim, 7 Drawing Sheets



(56)

References Cited

U.S. PATENT DOCUMENTS

D193,792 S * 10/1962 Stefe D21/827
 D194,214 S * 12/1962 Shepard D21/827
 D194,693 S * 2/1963 Aherns D21/826
 D195,633 S * 7/1963 Haubert D21/827
 D196,735 S * 10/1963 Grudoski D21/826
 3,113,400 A * 12/1963 Emond A01G 9/12
 47/45
 3,120,955 A * 2/1964 Carlin A63B 9/00
 482/36
 D200,651 S * 3/1965 Harris, Jr. D21/826
 D211,649 S * 7/1968 Zick D21/827
 D212,193 S * 9/1968 Rudy D21/827
 D215,063 S * 8/1969 Wormser D21/827
 D215,164 S * 9/1969 Wormser D21/827
 D216,317 S * 12/1969 Ericson D21/823
 D219,601 S * 12/1970 Wormser D21/826
 D219,602 S * 12/1970 Wormser D21/826
 D219,604 S * 12/1970 Wormser D21/826
 D222,487 S * 10/1971 Korte D21/826
 D223,674 S * 5/1972 Johnson D21/827
 D224,245 S * 7/1972 Hock D21/826
 3,677,539 A * 7/1972 Bennet B63B 34/00
 472/129
 D225,072 S * 11/1972 Henning et al. D21/827
 D225,073 S * 11/1972 Henning et al. D21/827
 D225,344 S * 12/1972 Henning et al. D21/826
 D226,318 S * 2/1973 Henning et al. D21/827
 3,730,520 A * 5/1973 Willis A63B 9/00
 472/2
 D227,792 S * 7/1973 Henning et al. D21/818
 D236,275 S * 8/1975 Rudy D21/827
 D236,276 S * 8/1975 Rudy D21/827
 3,970,301 A * 7/1976 Lehmann A63B 9/00
 482/35
 D257,875 S * 1/1981 Rudy D21/537
 D263,983 S * 4/1982 Carlson D21/826
 D289,927 S * 5/1987 Bradford D21/826
 5,330,400 A * 7/1994 Huberman A63B 9/00
 482/121

D353,420 S * 12/1994 Koresec D21/691
 D376,186 S * 12/1996 Penney D21/814
 D404,786 S * 1/1999 Caron D21/827
 D410,271 S * 5/1999 Manus D21/826
 D411,604 S * 6/1999 Manus D21/826
 D421,636 S * 3/2000 Manus D21/826
 D426,609 S * 6/2000 Manus D21/826
 D472,954 S * 4/2003 Kohler D21/826
 D498,282 S * 11/2004 Gertschen D21/826
 D515,166 S * 2/2006 Montfort A63B 9/00
 D21/826
 7,052,437 B2 * 5/2006 Kohler A63B 9/00
 482/35
 D531,692 S * 11/2006 Kvistad D21/827
 D554,227 S * 10/2007 Yates D21/826
 D560,740 S * 1/2008 Phelps D21/826
 D593,179 S * 5/2009 Kearl D21/827
 D602,554 S * 10/2009 Kearl D21/827
 D615,607 S * 5/2010 Hwang D21/826
 D620,066 S * 7/2010 Kohler D21/826
 D621,465 S * 8/2010 Kearl D21/827
 D628,668 S * 12/2010 Kilgriff D21/826
 D632,355 S * 2/2011 Kohler D21/826
 7,951,047 B2 * 5/2011 Kohler A63B 9/00
 482/23
 8,083,648 B2 * 12/2011 Koehler F16G 11/12
 482/36
 8,257,088 B1 * 9/2012 Askins G09B 19/003
 434/247
 D729,334 S * 5/2015 Scott D21/826
 D731,611 S * 6/2015 Klein D21/826
 D743,499 S * 11/2015 Eroglu D21/826
 D798,982 S * 10/2017 O'Brien D21/797
 D812,174 S * 3/2018 Civile D21/814
 D814,589 S * 4/2018 Eroglu D21/826
 D825,703 S * 8/2018 Eroglu D21/826
 D833,557 S * 11/2018 Jeffrey D21/814
 D844,731 S * 4/2019 Chin D21/818
 D853,515 S * 7/2019 Chen D21/811
 D878,460 S * 3/2020 Harguth D19/64

* cited by examiner

FIG. 1

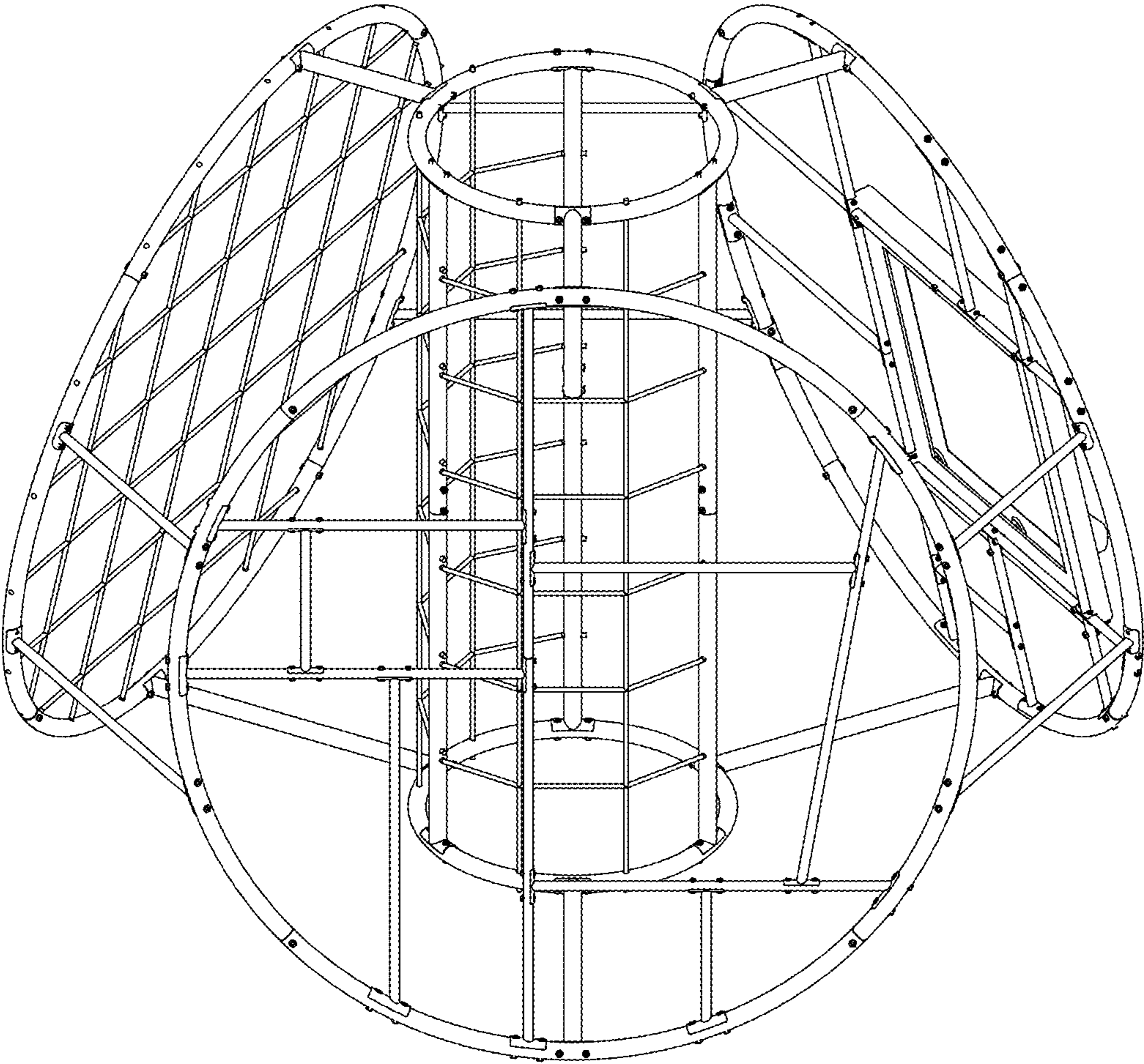


FIG. 2

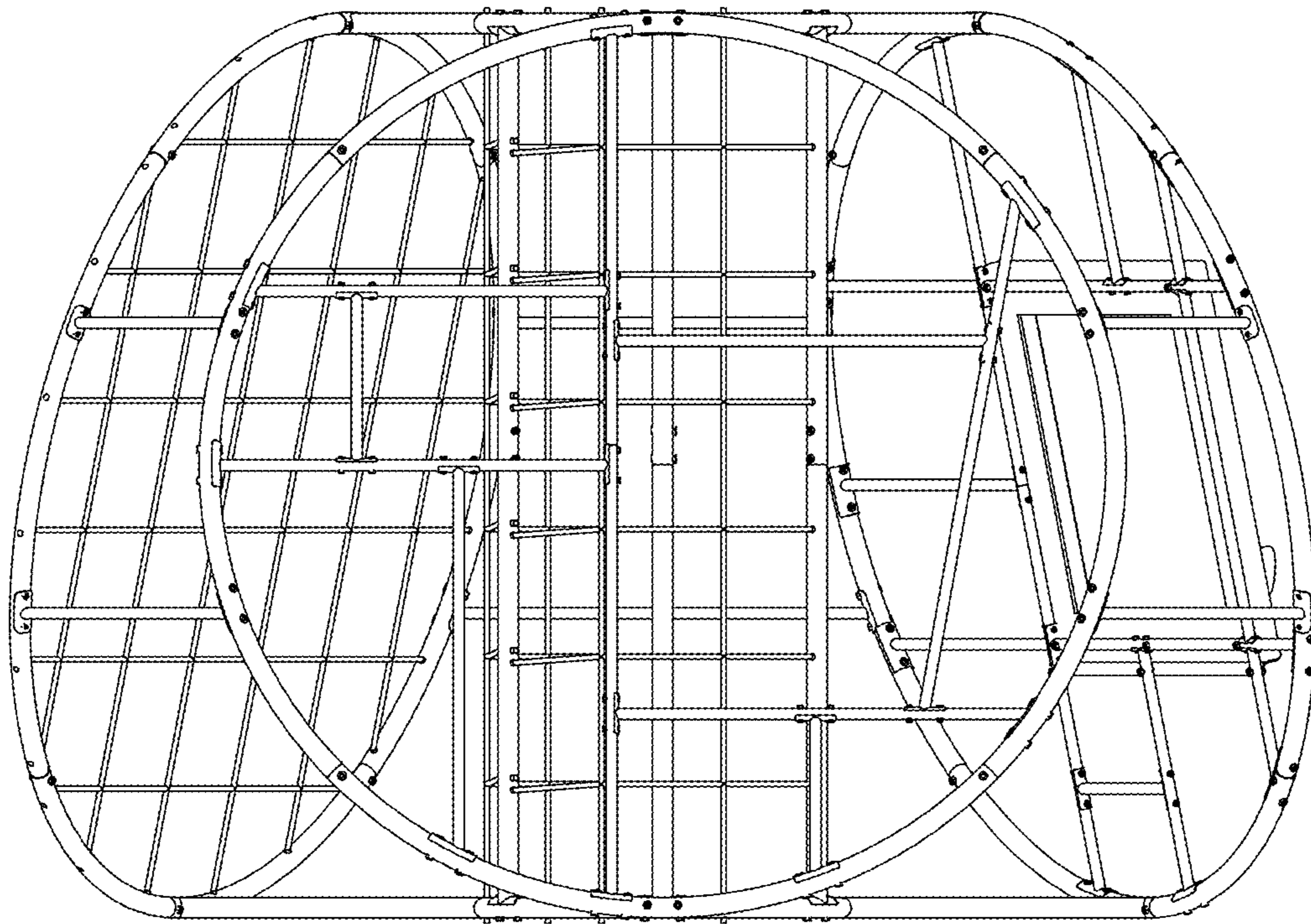


FIG. 3

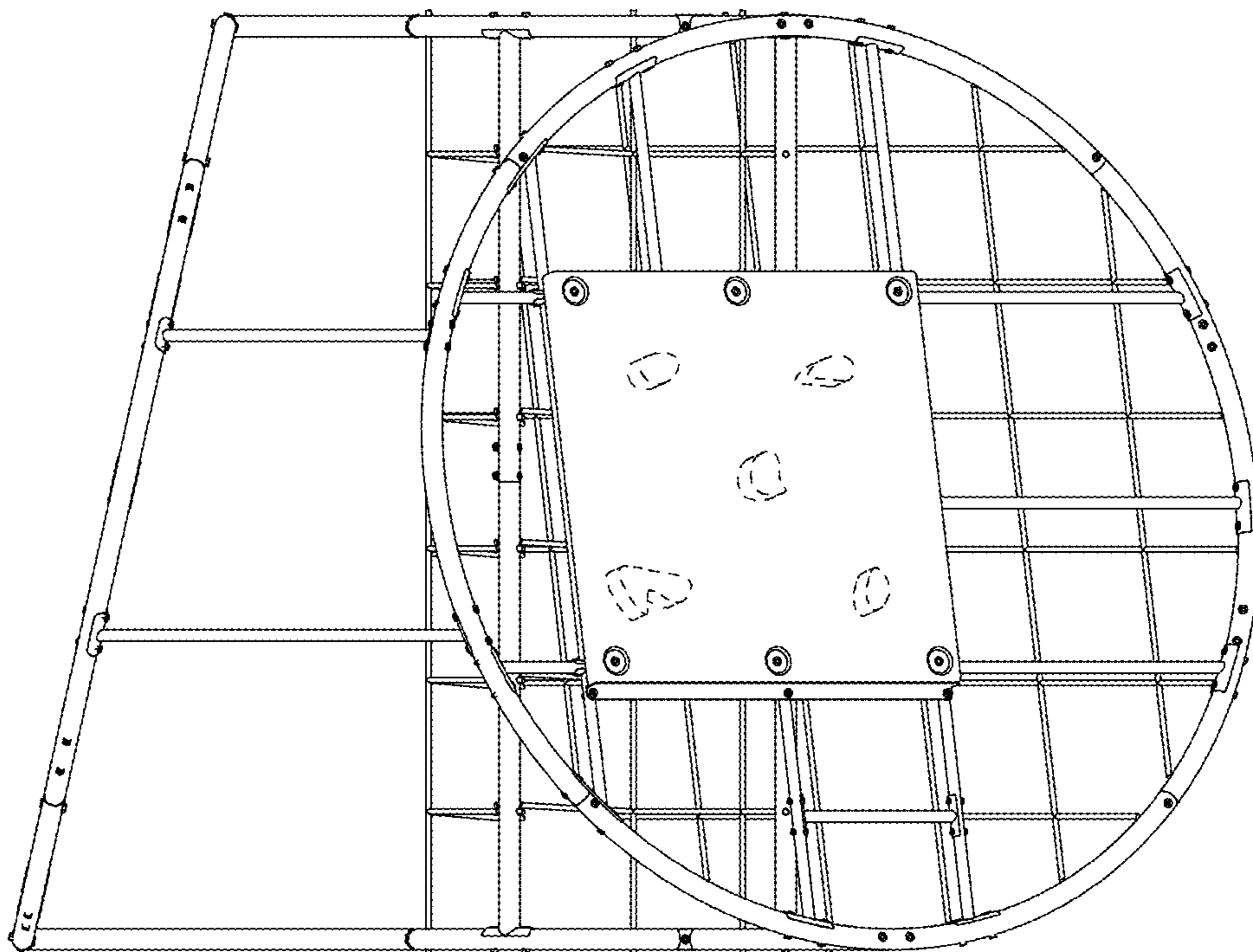


FIG. 4

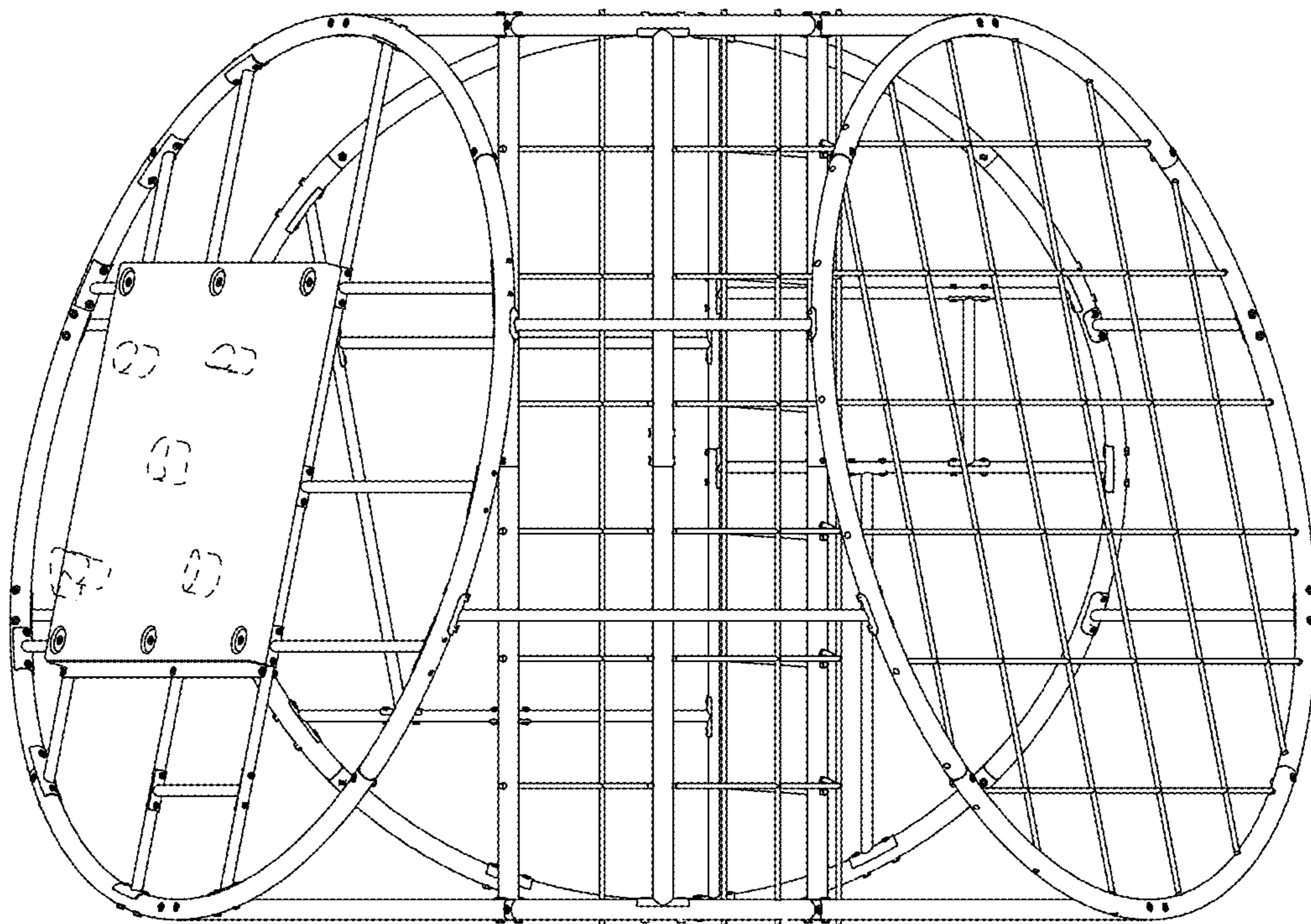


FIG. 5

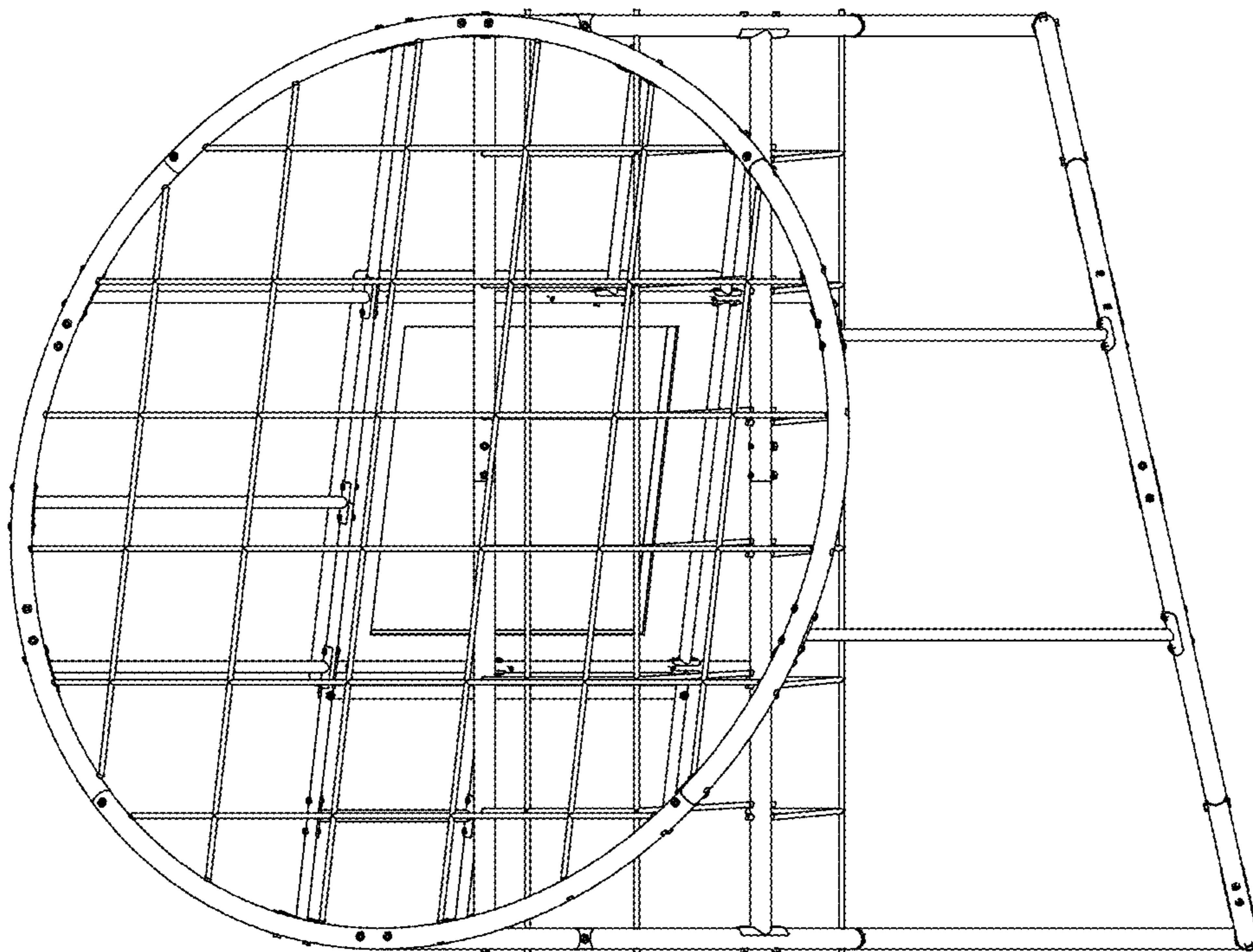


FIG. 6

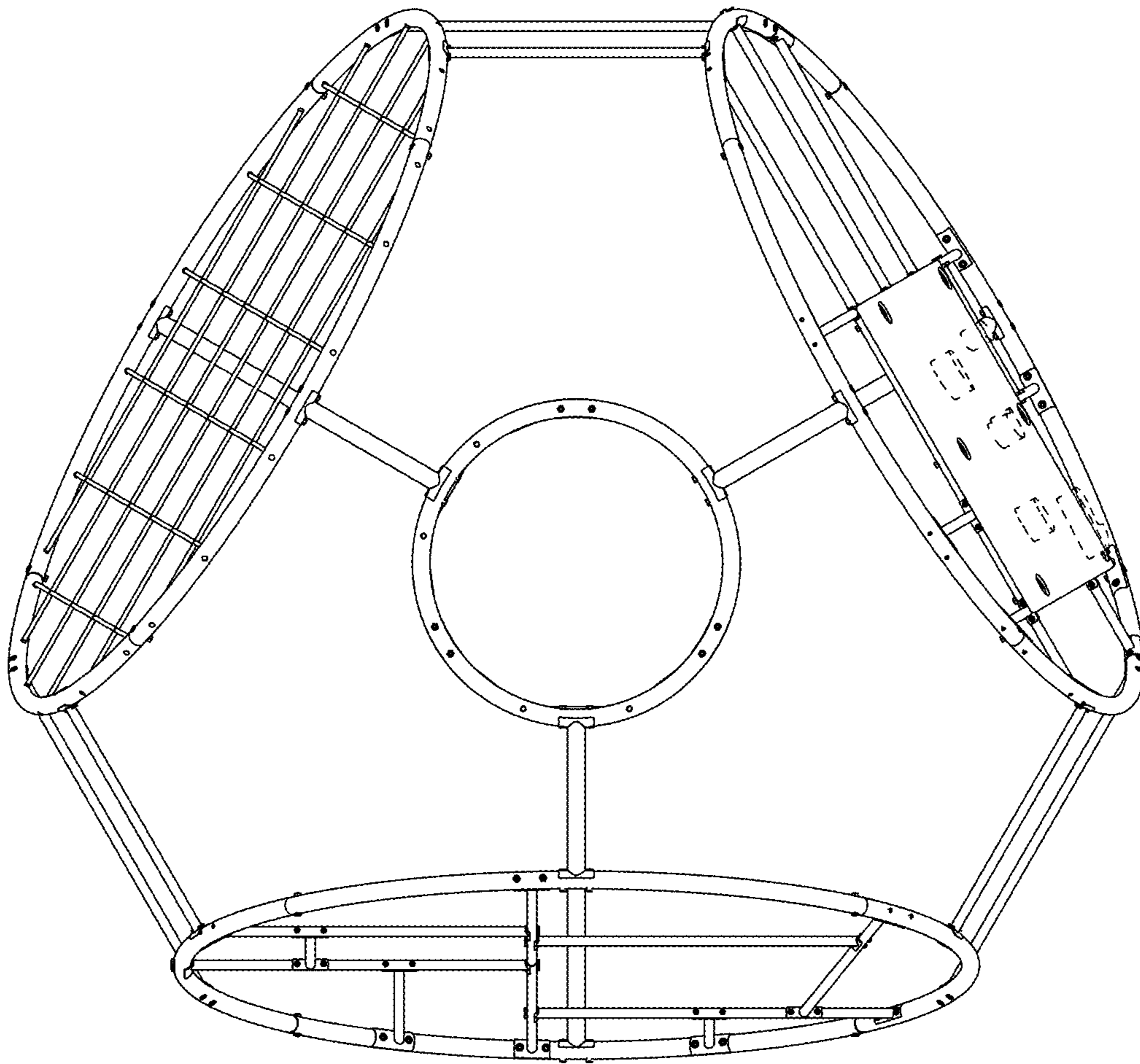


FIG. 7

