

US00D916994S

(12) **United States Design Patent**
Scott

(10) **Patent No.:** **US D916,994 S**

(45) **Date of Patent:** **** Apr. 20, 2021**

- (54) **CROCODILE SHAPED JUMPING PLATFORM FOR PLAYGROUND**
- (71) Applicant: **Sport Squad, Inc.**, Rockville, MD (US)
- (72) Inventor: **Greg Scott**, Lewisburg, PA (US)
- (73) Assignee: **Sport Squad, Inc.**, Rockville, MD (US)
- (**) Term: **15 Years**
- (21) Appl. No.: **29/684,992**
- (22) Filed: **Mar. 25, 2019**
- (51) **LOC (13) Cl.** **21-03**
- (52) **U.S. Cl.**
USPC **D21/814**
- (58) **Field of Classification Search**
USPC D21/811, 814, 826, 827, 831-833
CPC A63B 9/00; A63B 2009/004; A63B 2009/006; A63B 2208/12; A63B 2009/002; A63B 17/00; A63G 9/00-22
See application file for complete search history.

D265,334 S *	7/1982	Bollen	D21/615
D361,118 S *	8/1995	Hammel	D21/615
D378,395 S *	3/1997	Olson	D21/820
D394,296 S *	5/1998	McLean	D21/827
D394,693 S *	5/1998	Koutsouflakis	D21/615
D401,641 S *	11/1998	Miller	D21/827
D402,705 S *	12/1998	Jenkins	D21/827
D428,960 S *	8/2000	Addleman	D21/832
D431,066 S *	9/2000	Addleman	D21/831
D454,608 S *	3/2002	Catelli	D21/831
D455,810 S *	4/2002	Catelli	D21/832
D745,612 S *	12/2015	Glover	D21/615
D819,754 S *	6/2018	Gillenwater	D21/615

* cited by examiner

Primary Examiner — Mitchell I. Siegel

(74) *Attorney, Agent, or Firm* — Muskin and Farmer LLC

(57) **CLAIM**

The ornamental design for a crocodile shaped jumping platform for playground, as shown and described.

DESCRIPTION

FIG. 1 is an orthographic view of a crocodile shaped jumping platform for playground showing my new design; FIG. 2 is a front view of the new design; FIG. 3 is a right side view of the new design; FIG. 4 is a rear view of the new design; FIG. 5 is a left side view of the new design; FIG. 6 is a top view of the new design; and, FIG. 7 is a bottom view of the new design.

1 Claim, 4 Drawing Sheets

- (56) **References Cited**
U.S. PATENT DOCUMENTS
D232,455 S * 8/1974 Wormser D21/832
4,234,152 A * 11/1980 Browse A47C 3/24
248/406.2
D265,224 S * 6/1982 Bollen D21/832

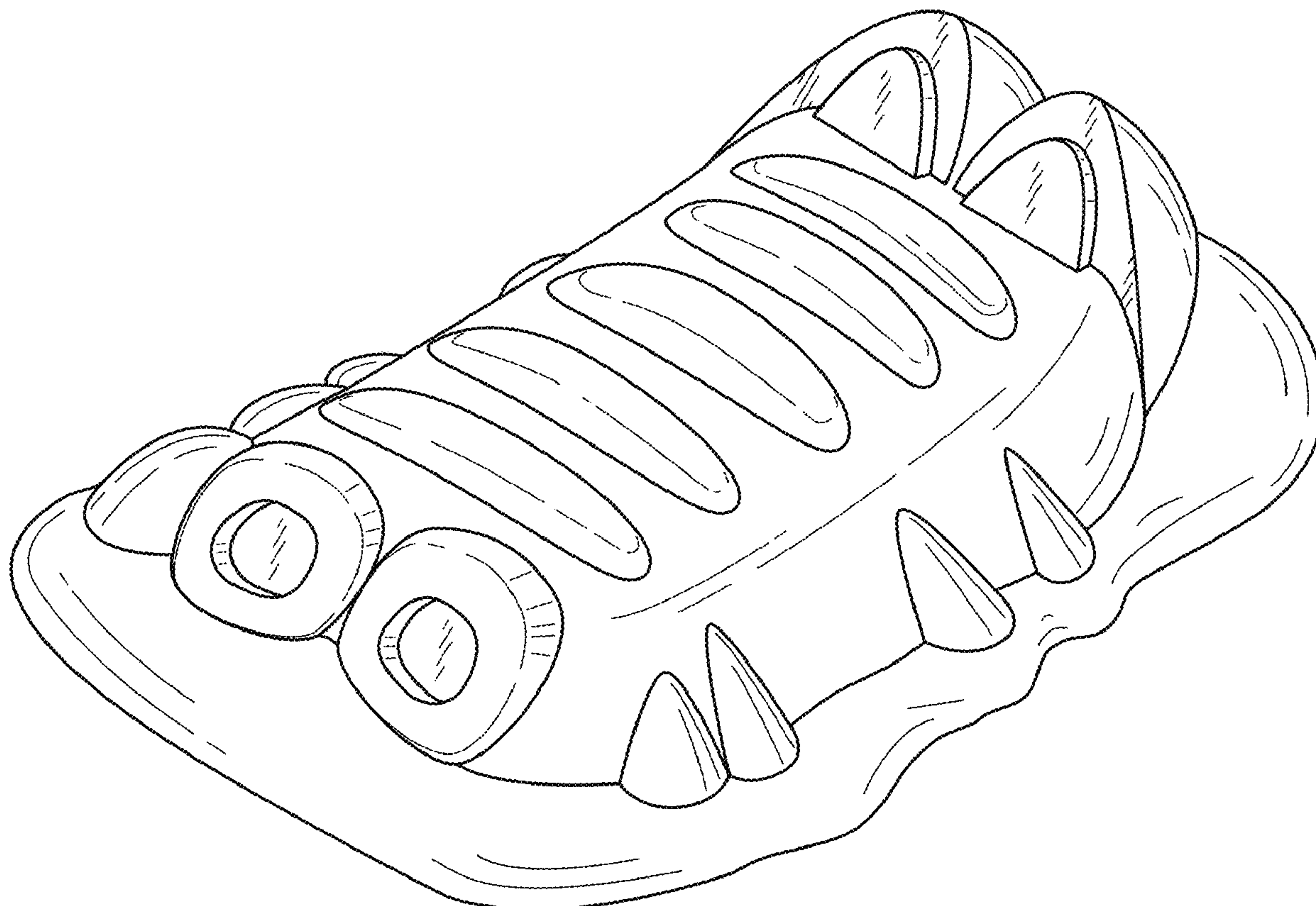


FIG. 1

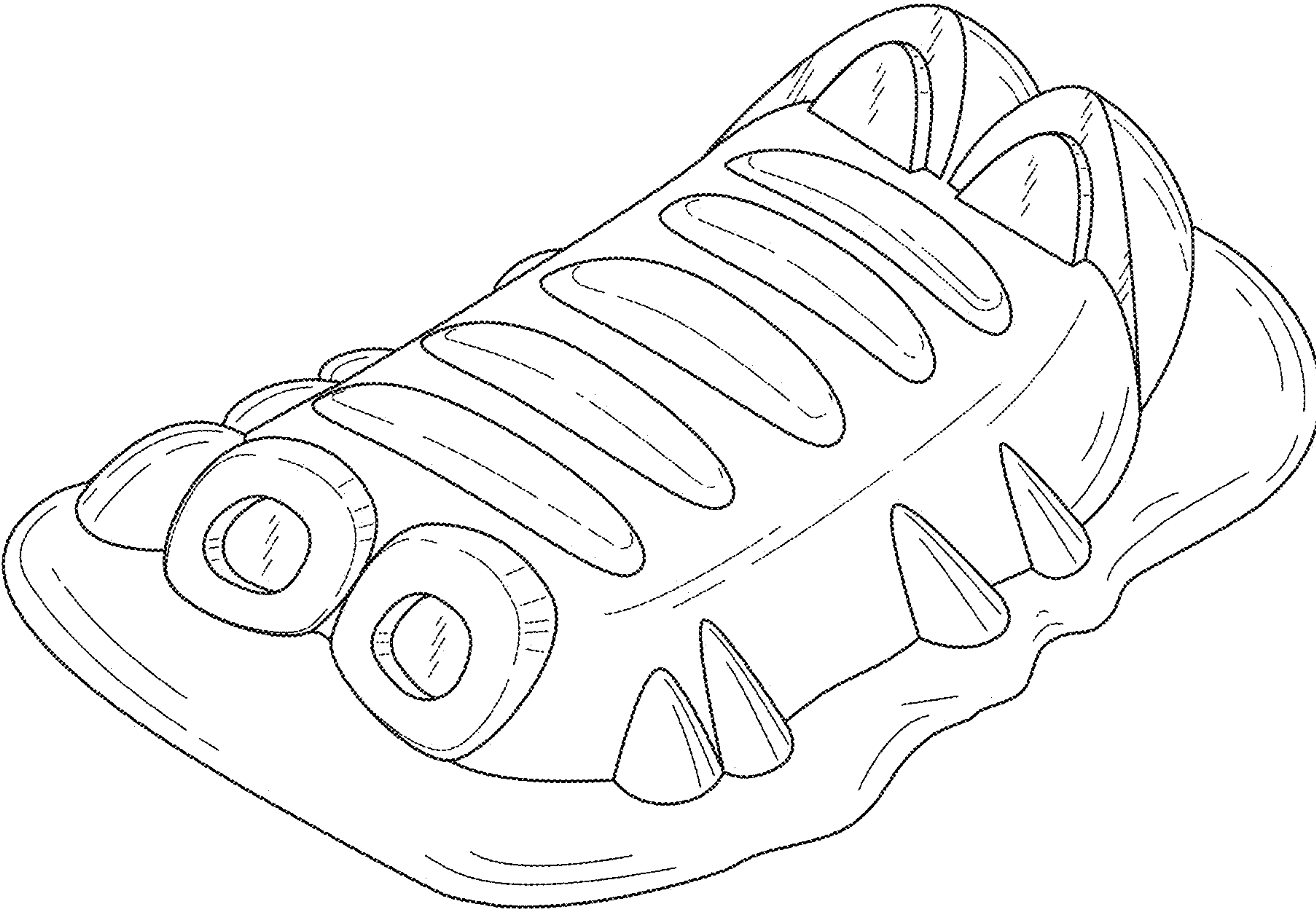


FIG. 2

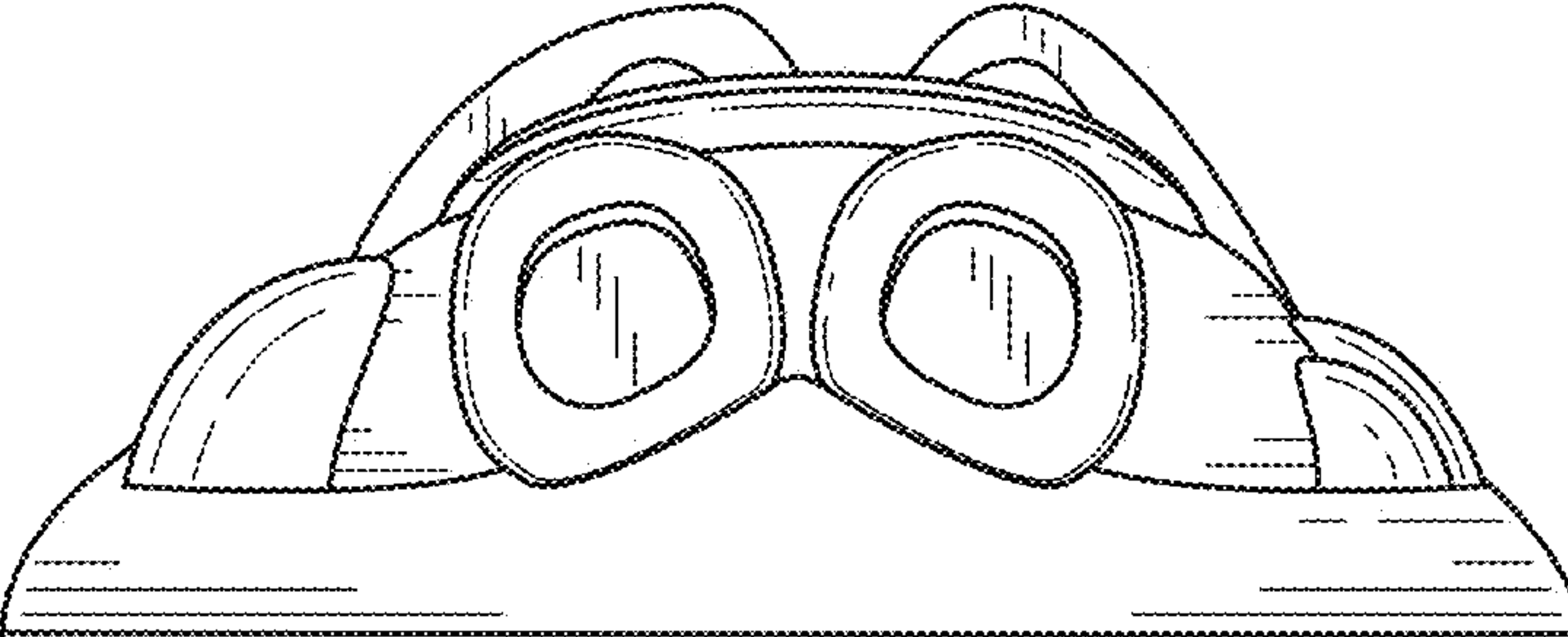


FIG. 3

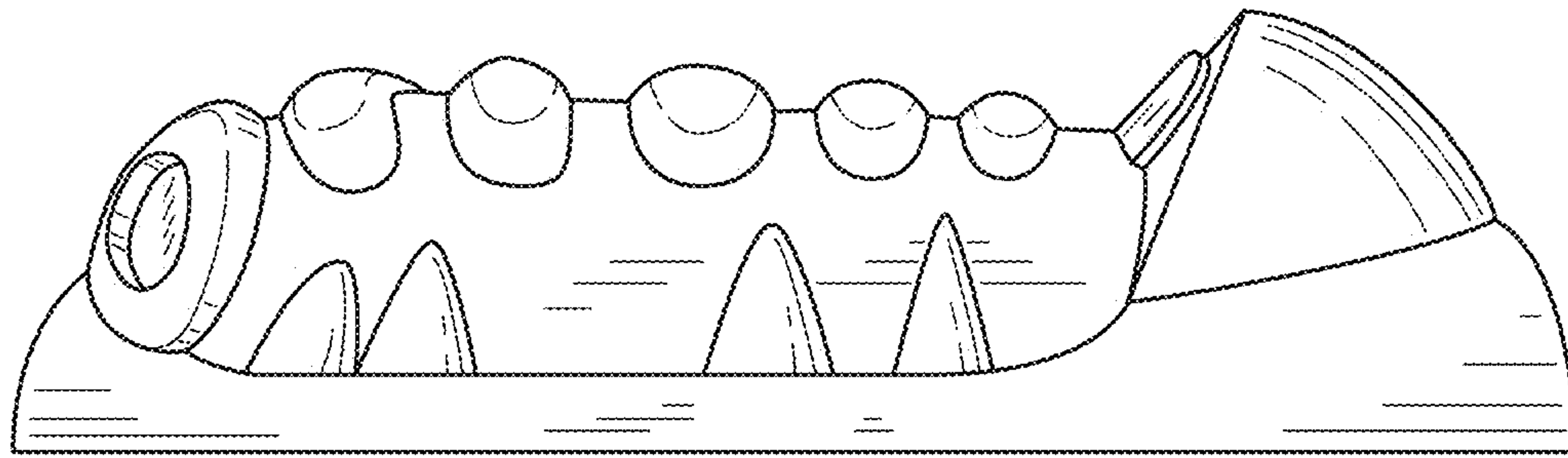


FIG. 4

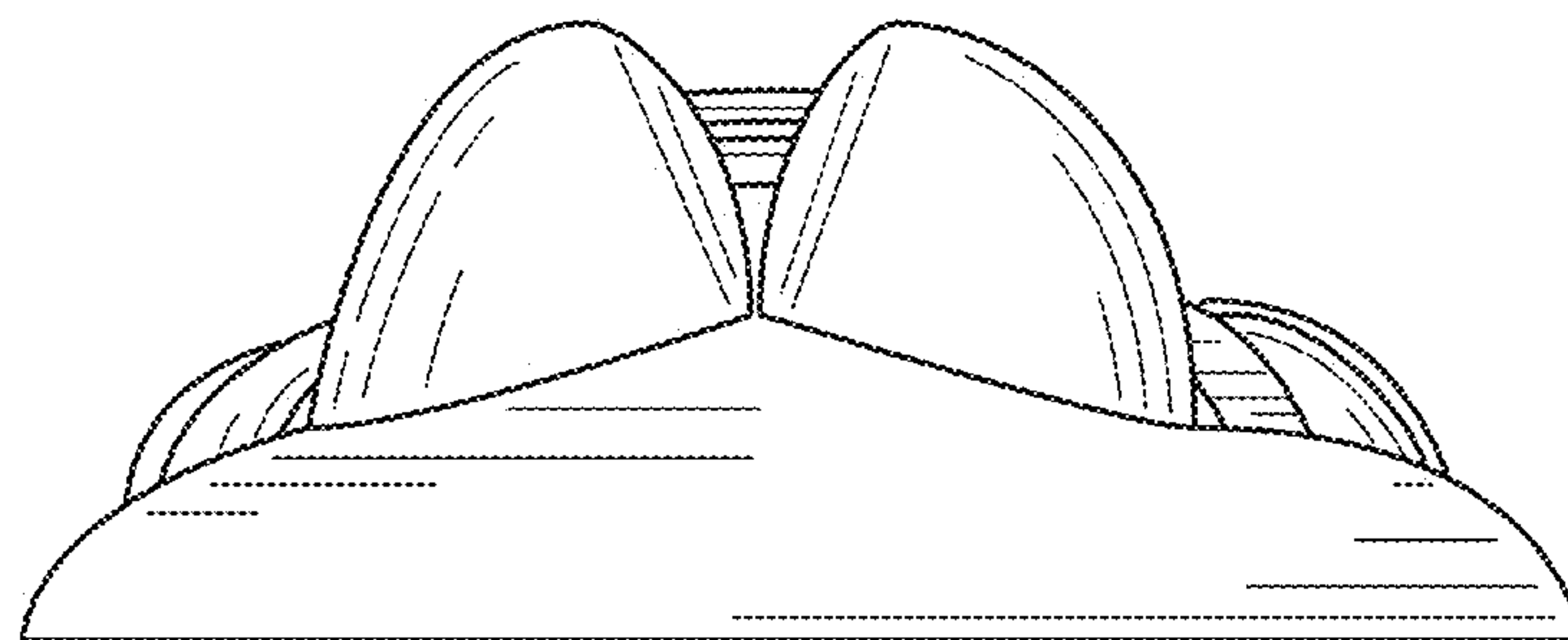


FIG. 5

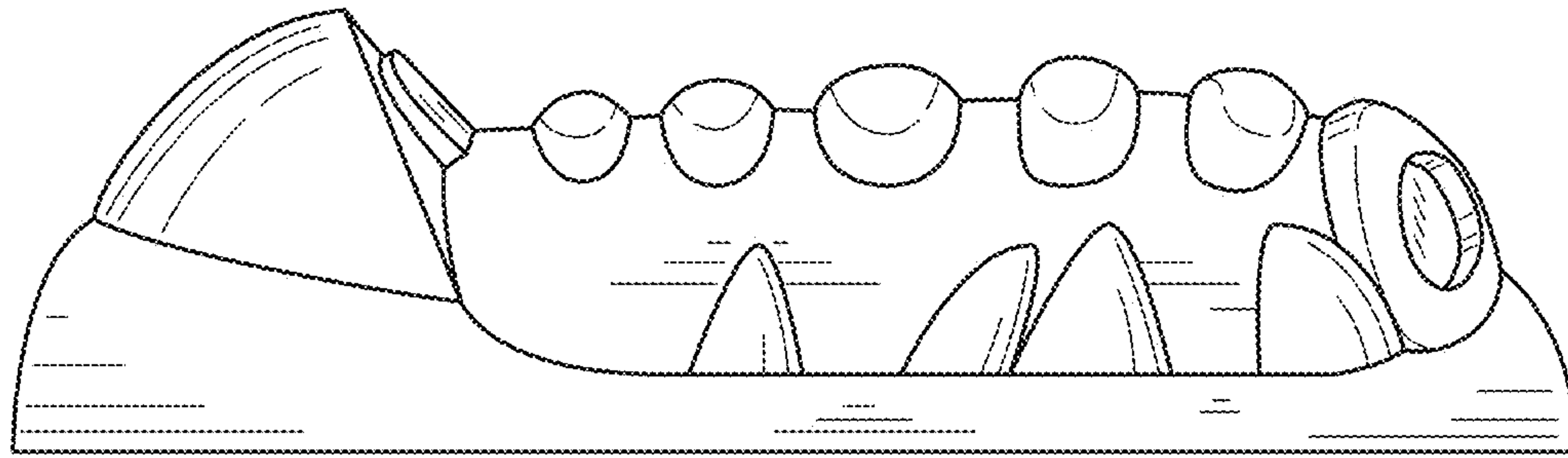


FIG. 6

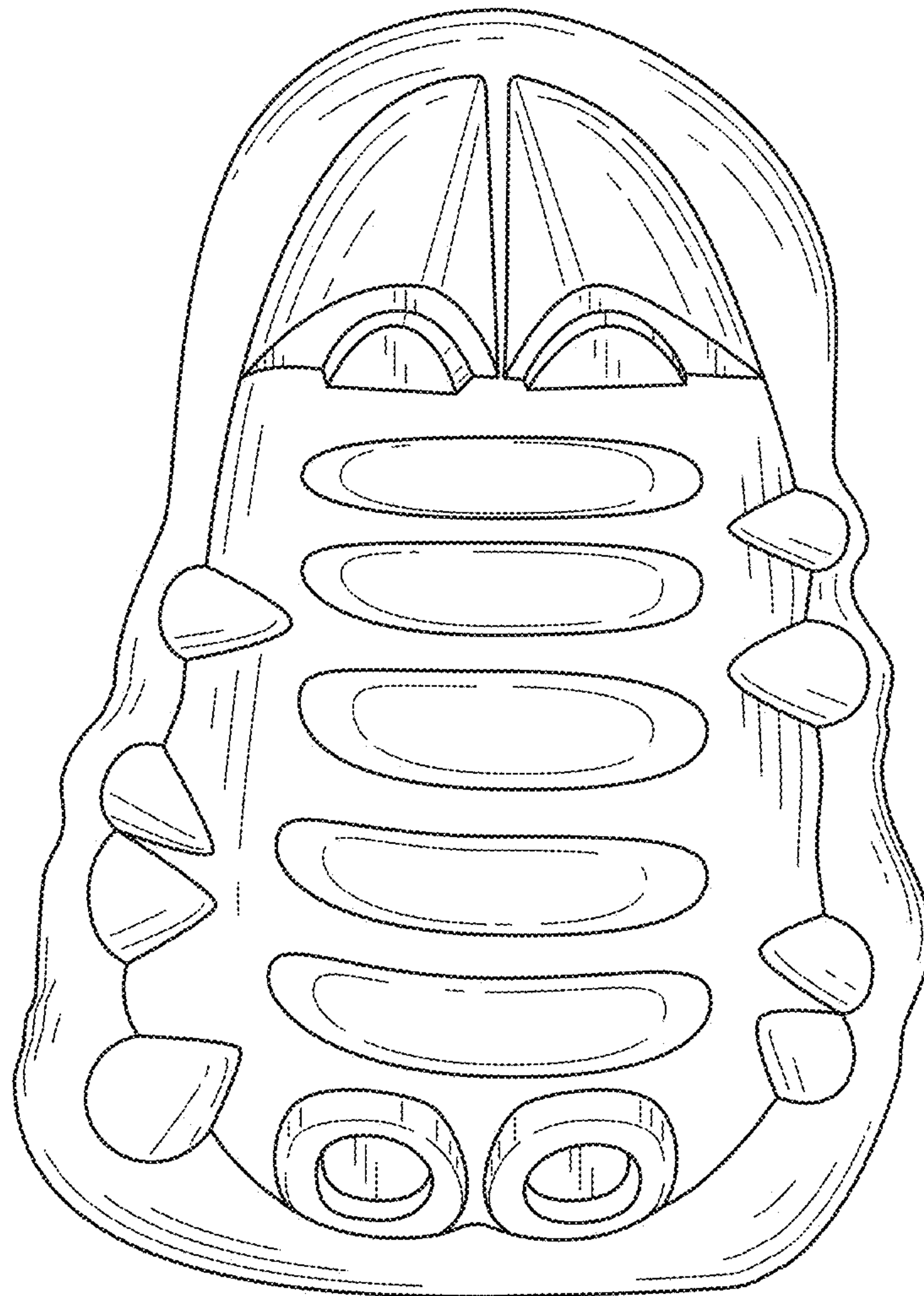


FIG. 7

