



US00D916992S

(12) **United States Design Patent**
Bacon

(10) **Patent No.:** **US D916,992 S**

(45) **Date of Patent:** **** Apr. 20, 2021**

(54) **MULTI-COMPONENT GOLF CLUB HEAD**

(71) Applicant: **KARSTEN MANUFACTURING CORPORATION**, Phoenix, AZ (US)

(72) Inventor: **Cory S Bacon**, Cave Creek, AZ (US)

(73) Assignee: **Karsten Manufacturing Corporation**, Phoenix, AZ (US)

(**) Term: **15 Years**

(21) Appl. No.: **29/701,328**

(22) Filed: **Aug. 9, 2019**

(51) **LOC (13) Cl.** **21-02**

(52) **U.S. Cl.**
USPC **D21/752**

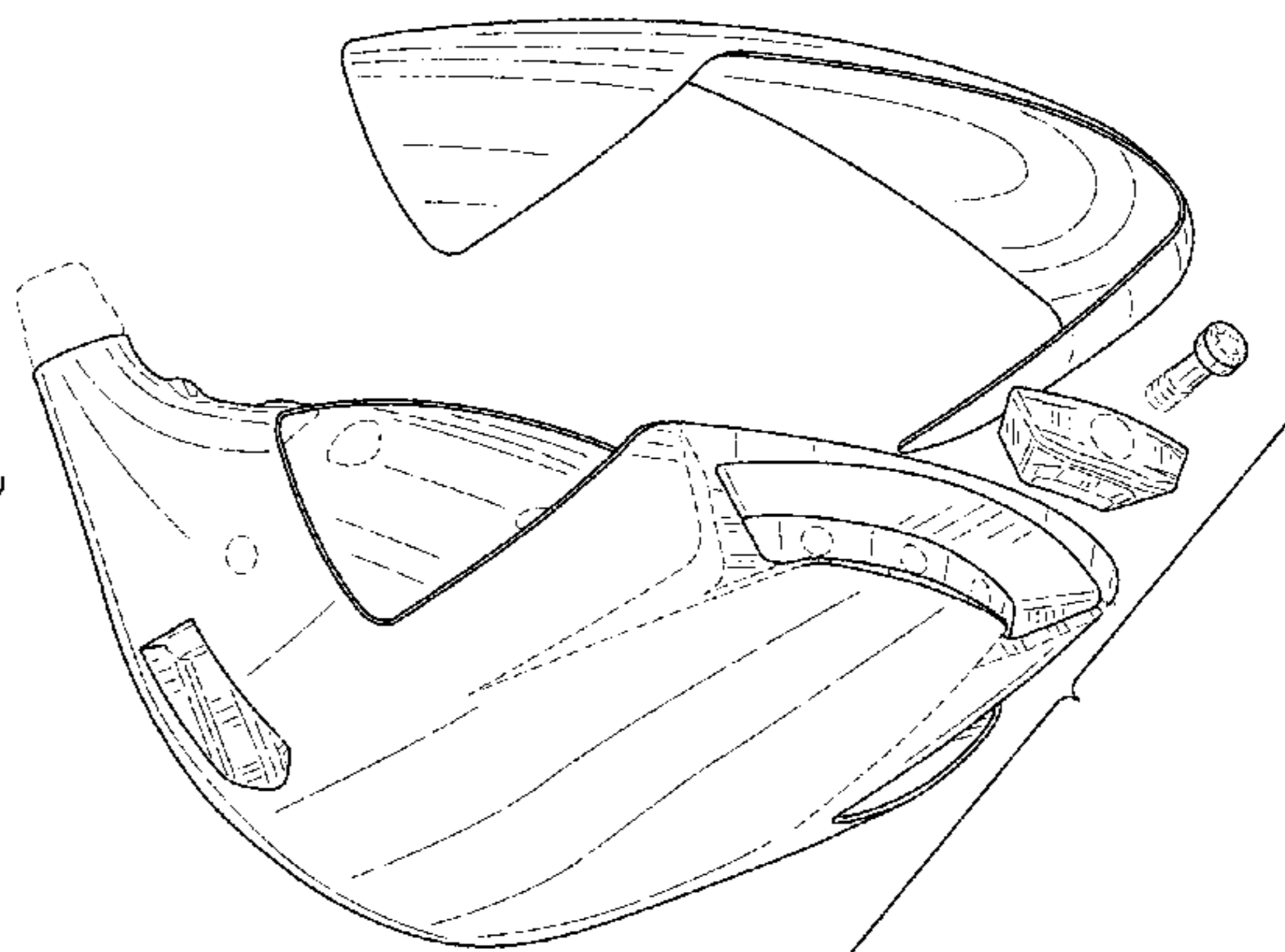
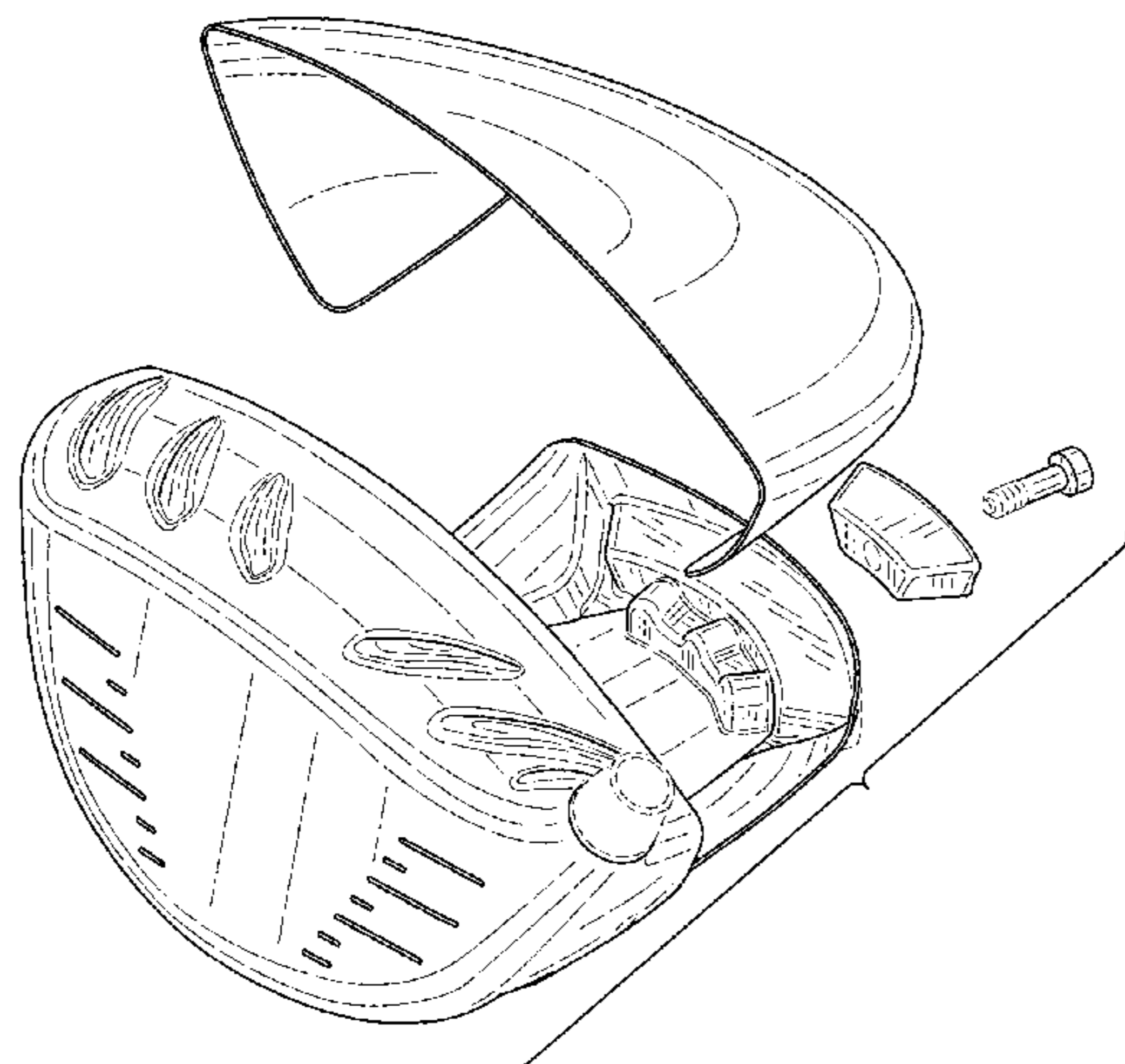
(58) **Field of Classification Search**
USPC D21/733, 752, 759
CPC A63B 53/00; A63B 53/04; A63B 53/0466;
A63B 2053/002; A63B 2053/0445; A63B
2053/0433; A63B 2053/0491; A63B
2053/0437; A63B 60/00; A63B 60/46
See application file for complete search history.

(56) **References Cited**

U.S. PATENT DOCUMENTS

4,581,190 A	4/1986	Nagamoto et al.
5,080,366 A	1/1992	Okumoto et al.
5,328,176 A	7/1994	Lo
5,624,331 A	4/1997	Lo et al.
6,422,951 B1 *	7/2002	Burrows A63B 53/0466 473/328
6,471,604 B2	10/2002	Hocknell et al.
6,491,592 B2	12/2002	Cackett et al.
6,565,452 B2	5/2003	Helmstetter et al.
6,575,845 B2 *	6/2003	Galloway C22F 1/183 473/329
6,582,323 B2	6/2003	Soracco et al.
6,602,149 B1	8/2003	Jacobson
6,623,378 B2	9/2003	Beach et al.
6,648,774 B1	11/2003	Lee
6,663,504 B2 *	12/2003	Hocknell C23F 1/26 473/329
6,739,982 B2	5/2004	Murphy et al.

6,739,983 B2	5/2004	Helmstetter et al.
6,758,763 B2	7/2004	Murphy et al.
6,860,823 B2	3/2005	Lee
D506,236 S *	6/2005	Evans D21/752
6,926,619 B2	8/2005	Helmstetter et al.
6,929,565 B2	8/2005	Nakahara et al.
6,994,637 B2	2/2006	Murphy et al.
7,025,692 B2	4/2006	Erickson et al.
7,118,493 B2	10/2006	Galloway
7,121,955 B2	10/2006	Stevens et al.
7,121,957 B2	10/2006	Hocknell et al.
7,128,661 B2	10/2006	Soracco et al.
7,144,333 B2	12/2006	Murphy et al.
7,147,576 B2	12/2006	Imamoto et al.
7,163,470 B2	1/2007	Galloway et al.
7,169,060 B2	1/2007	Stevens et al.
7,175,541 B2	2/2007	Lo
7,252,600 B2	8/2007	Murphy et al.
7,255,654 B2	8/2007	Murphy et al.
7,258,625 B2	8/2007	Kawaguchi et al.
7,278,927 B2	10/2007	Gibbs et al.
7,303,487 B2	12/2007	Kumamoto
7,311,613 B2	12/2007	Steven et al.
7,318,782 B2	1/2008	Imamoto et al.
7,320,646 B2	1/2008	Galloway
7,338,390 B2	3/2008	Lindsay
7,344,452 B2	3/2008	Imamoto et al.
7,367,900 B2	5/2008	Kumamoto
7,387,577 B2	6/2008	Murphy et al.
7,402,112 B2	7/2008	Galloway
7,407,448 B2	8/2008	Stevens et al.
7,438,647 B1	10/2008	Hocknell
7,438,649 B2	10/2008	Ezaki et al.
7,452,287 B2	11/2008	Erickson et al.
7,455,600 B2	11/2008	Imamoto et al.
7,488,261 B2	2/2009	Cackett et al.
7,491,134 B2	2/2009	Murphy et al.
7,494,424 B2	2/2009	Williams et al.
7,497,788 B2	3/2009	Imamoto et al.
7,520,822 B2	4/2009	Yamagishi et al.
D592,260 S *	5/2009	Green D21/752
D592,261 S *	5/2009	Green D21/752
7,530,901 B2	5/2009	Imamoto et al.
7,530,903 B2	5/2009	Imamoto et al.
7,540,812 B2	6/2009	Imamoto et al.
7,568,982 B2	8/2009	Cackett et al.
7,582,248 B2	9/2009	Reyes et al.
7,591,737 B2	9/2009	Gibbs et al.
7,601,078 B2	10/2009	Mergy et al.
7,607,992 B2	10/2009	Nishio
7,651,414 B2	1/2010	Rae et al.
7,658,686 B2	2/2010	Soracco
7,674,187 B2	3/2010	Cackett et al.



7,691,008 B2	4/2010	Oyama	
7,708,652 B2	5/2010	Cackett et al.	
7,749,096 B2	7/2010	Gibbs et al.	
7,775,903 B2	8/2010	Kawaguchi et al.	
7,785,212 B2	8/2010	Lukasiewicz et al.	
7,892,111 B2	2/2011	Morales et al.	
7,959,522 B2 *	6/2011	North, III	A63B 53/0466 473/288
7,959,523 B2	6/2011	Rae et al.	
7,993,216 B2	8/2011	Lee	
8,025,591 B2	9/2011	Cruz et al.	
8,096,896 B2	1/2012	DeShiell et al.	
8,197,358 B1	6/2012	Watson et al.	
D664,222 S *	7/2012	Lindsay	D21/733
8,376,876 B2	2/2013	Gibbs et al.	
8,400,781 B2	3/2013	Gillingham	
8,419,569 B2	4/2013	Bennett et al.	
8,435,137 B2	5/2013	Hirano	
8,460,123 B1	6/2013	Demille et al.	
8,491,416 B1	7/2013	Demille et al.	
8,506,421 B2	8/2013	Stites et al.	
8,556,746 B1	10/2013	DeMille et al.	
8,632,419 B2	1/2014	Tang et al.	
8,632,420 B2	1/2014	Kawaguchi et al.	
8,696,489 B2	4/2014	Gibbs et al.	
8,702,534 B2	4/2014	DeMille et al.	
8,715,109 B2	5/2014	Bennett et al.	
8,727,911 B2	5/2014	DeMille et al.	
8,870,680 B2	10/2014	Yamamoto	
8,870,683 B2	10/2014	Hettinger et al.	
8,926,450 B2	1/2015	Takahashi et al.	
8,979,671 B1	3/2015	DeMille et al.	
9,033,822 B1	5/2015	DeMille et al.	
9,079,368 B2	7/2015	Tavares et al.	
9,168,435 B1	10/2015	Boggs et al.	
9,220,955 B2 *	12/2015	Hayase	B29C 66/00141
9,238,162 B2	1/2016	Breier et al.	
9,352,198 B2	5/2016	Roach et al.	
9,393,471 B2 *	7/2016	Beno	A63B 53/0466
9,427,631 B1	8/2016	Larson et al.	
9,452,325 B2	9/2016	DeShiell et al.	
9,457,245 B2 *	10/2016	Lee	A63B 53/0466
9,504,883 B2	11/2016	DeMille et al.	
9,504,889 B2	11/2016	Mitzel et al.	
9,526,955 B2	12/2016	DeMille et al.	
D777,855 S *	1/2017	Stokke	D21/752
9,579,548 B2	2/2017	Boyd et al.	
D780,866 S *	3/2017	Stokke	D21/752
D785,735 S *	5/2017	Bacon	D21/752
9,682,299 B2	6/2017	Tang et al.	
9,724,573 B2	8/2017	Kawaguchi et al.	
D811,503 S *	2/2018	Bacon	D21/752
D814,582 S *	4/2018	Bacon	D21/752
D814,583 S *	4/2018	Stokke	D21/752
D815,223 S *	4/2018	Stokke	D21/752
D823,958 S *	7/2018	Stokke	D21/752
D838,326 S *	1/2019	Clarke	D21/752
D844,086 S *	3/2019	Boggs	D21/752
D857,822 S *	8/2019	Bacon	D21/752
D858,668 S *	9/2019	Jertson	D21/752
D861,811 S *	10/2019	Jertson	D21/752
D873,359 S *	1/2020	Milleman	D21/752
D874,593 S *	2/2020	Lee	D21/752
10,596,427 B2 *	3/2020	Jertson	A63B 53/0408
D889,573 S *	7/2020	Jertson	D21/752
2001/0049310 A1	12/2001	Cheng et al.	
2003/0186760 A1	10/2003	Lee	
2004/0033844 A1	2/2004	Chen	
2004/0116207 A1	6/2004	Shiell et al.	
2005/0026719 A1	2/2005	Yang	
2005/0043115 A1	2/2005	Lin	
2005/0159239 A1	7/2005	Imamoto et al.	
2005/0159243 A1 *	7/2005	Chuang	A63B 53/0466 473/345
2005/0233831 A1	10/2005	Ezaki et al.	
2006/0052181 A1	3/2006	Serrano et al.	
2007/0155533 A1	7/2007	Solheim et al.	
2008/0293512 A1	11/2008	Chen	
2010/0139079 A1	6/2010	Dawson et al.	

2011/0077102 A1	3/2011	Cackett et al.
2016/0001146 A1	1/2016	Sargent et al.
2016/0332040 A1	11/2016	Lafortune et al.
2016/0346640 A1	12/2016	Boggs et al.
2017/0100646 A1	4/2017	DeMille et al.
2018/0169486 A1	6/2018	Wester et al.
2020/0298072 A1 *	9/2020	Morales

FOREIGN PATENT DOCUMENTS

JP	2004024734	1/2004
JP	3103394	8/2004
JP	2005230332	9/2005
JP	2011072661	4/2011
JP	5952655	7/2016

OTHER PUBLICATIONS

E9 Face Technology With Dual Roll—Multi-material Construction, Cobra Golf, accessed Oct. 19, 2017; <https://www.cobragolf.com/pumagolf/tech-overview>.
 Taylormade M1 Driver, Multi-material Construction, accessed Jun. 7, 2016; <http://www.intheholegolf.com/TM15-M1D/TaylorMade-M1-Driver.html>.
 Adams Men's Golf Speedline Super XTD Fairway Wood; Amazon, accessed Oct. 19, 2017; <https://www.amazon.com/Adams-Golf-Speedline-SUPER-Fairway/dp/B007LI2S04>.
 Callaway Womens Great Big Bertha Driver, Amazon, accessed Oct. 19, 2017; <https://www.amazon.com/Callaway-Womens-Great-Bertha-Driver/dp/B013SYR0VQ>.
 Nike Vapor Flex 440 Driver Adjustable Loft Golf Club Left Hand, accessed Jun. 7, 2016; <http://www.globalgolf.com/golf-clubs/1034365-nike-vapor-flex-440-driver-left-hand/>.

* cited by examiner

Primary Examiner — Mitchell I. Siegel

(57) CLAIM

The ornamental design for a multi-component golf club head, as shown and described.

DESCRIPTION

FIG. 1 is a top perspective view of a multi-component golf club head;
 FIG. 2 is a bottom perspective view of the golf club head of FIG. 1;
 FIG. 3 is a top view of the golf club head of FIG. 1;
 FIG. 4 is a bottom view of the golf club head of FIG. 1;
 FIG. 5 is a front view of the golf club head of FIG. 1;
 FIG. 6 is a rear view of the golf club head of FIG. 1;
 FIG. 7 is a heel side view of the golf club head of FIG. 1;
 FIG. 8 is a toe side view of the golf club head of FIG. 1;
 FIG. 9 is a top perspective view of the body portion of the multi-component golf club head, shown for clarity of illustration;
 FIG. 10 is a bottom perspective view of the golf club head body of FIG. 9;
 FIG. 11 is a top view of the golf club head body of FIG. 9;
 FIG. 12 is a bottom view of the golf club head body of FIG. 9;
 FIG. 13 is a front view of the golf club head body of FIG. 9;
 FIG. 14 is a rear view of the golf club head body of FIG. 9;
 FIG. 15 is a heel side view of the golf club head body of FIG. 9;
 FIG. 16 is a toe side view of the golf club head body of FIG. 9;

FIG. 17 is a top perspective view of the crown insert of the multi-component golf club head, shown for clarity of illustration;

FIG. 18 is a bottom perspective view of the crown insert of FIG. 17;

FIG. 19 is a top view of the crown insert of FIG. 17;

FIG. 20 is a bottom view of the crown insert of FIG. 17;

FIG. 21 is a front view of the crown insert of FIG. 17;

FIG. 22 is a rear view of the crown insert of FIG. 17;

FIG. 23 is a heel side view of the crown insert of FIG. 17;

and,

FIG. 24 is a toe side view of the crown insert of FIG. 17.

The broken lines shown form no part of the claimed design.

1 Claim, 18 Drawing Sheets

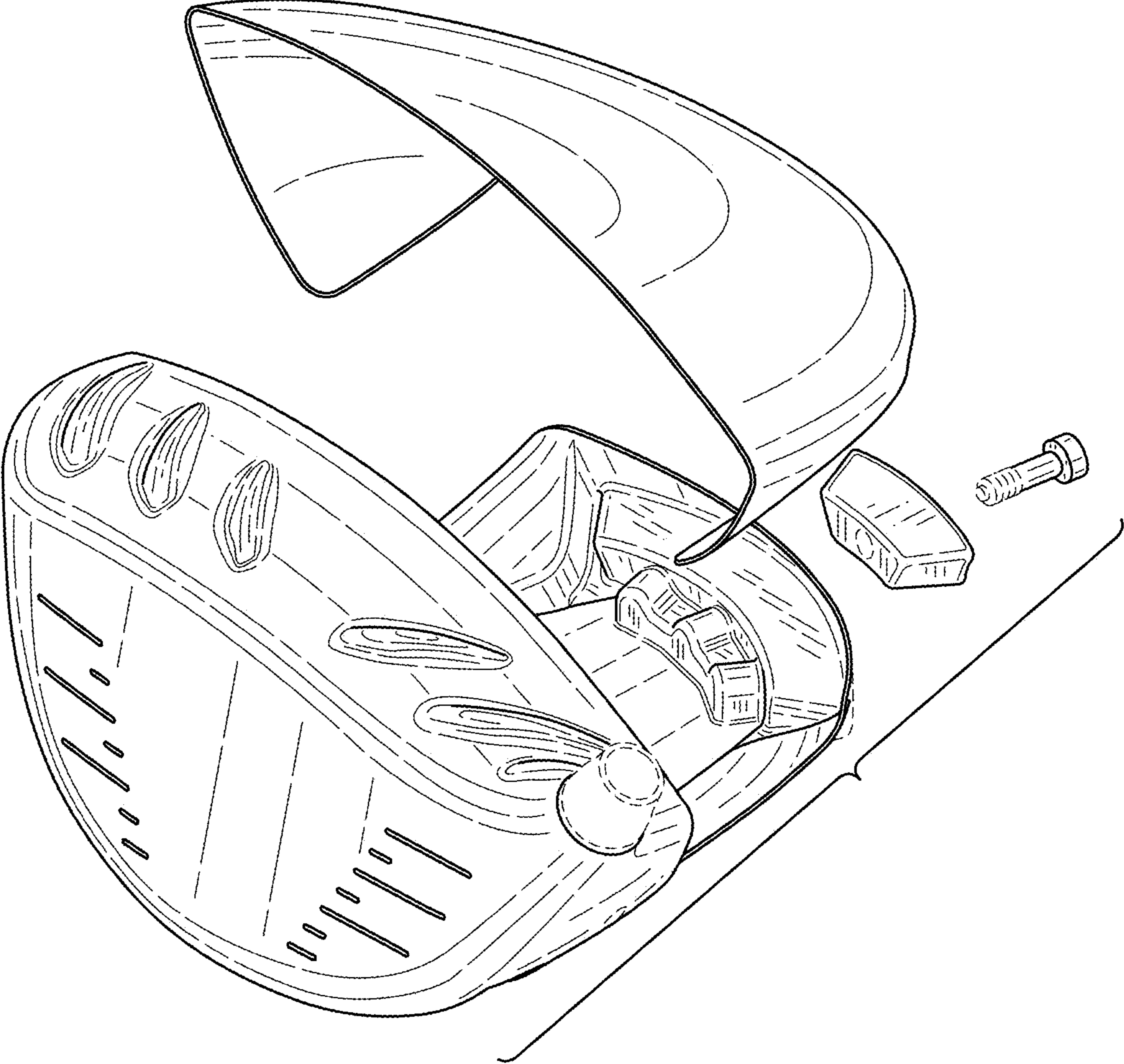


FIG.1

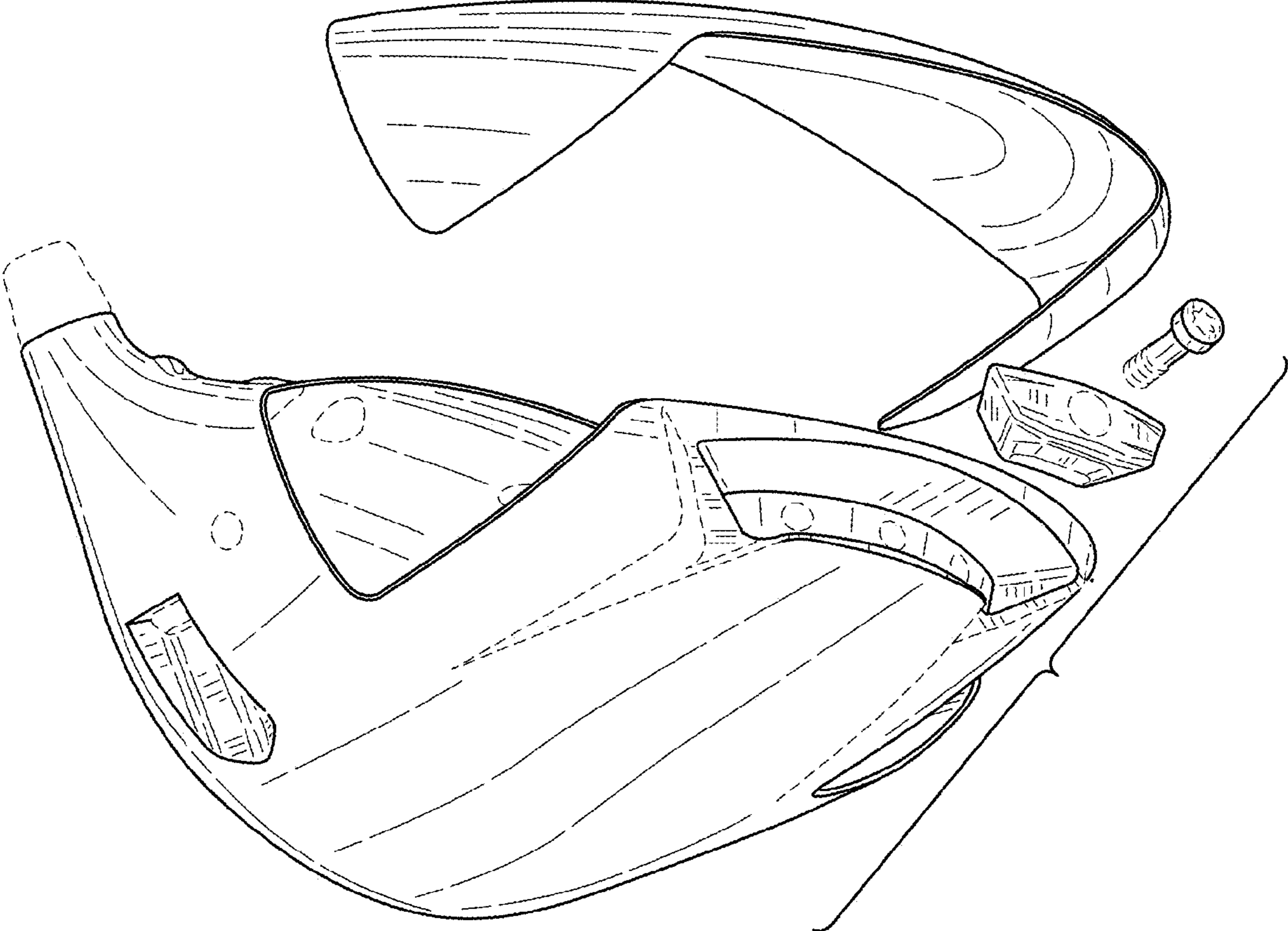


FIG.2

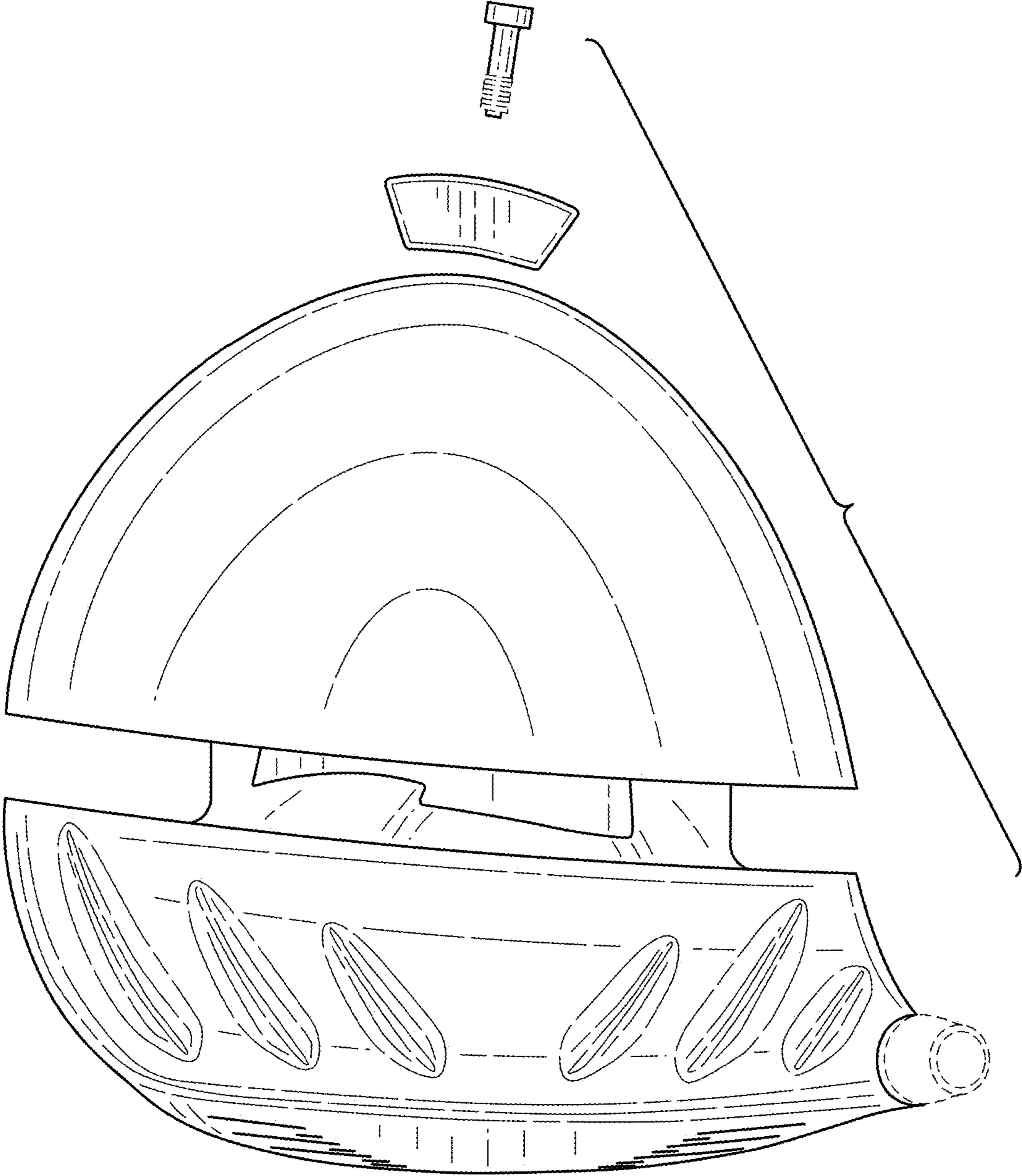


FIG.3

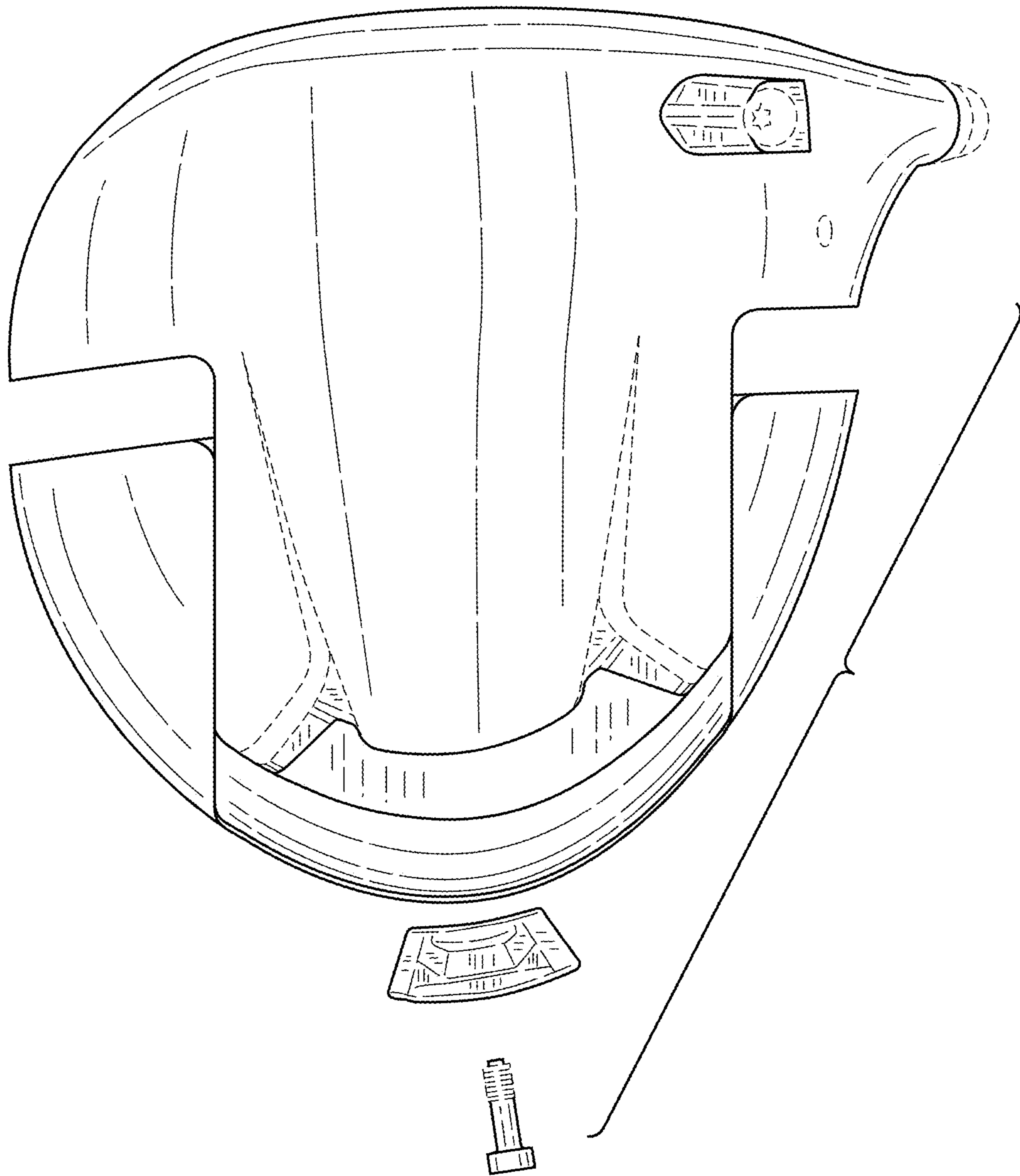


FIG.4

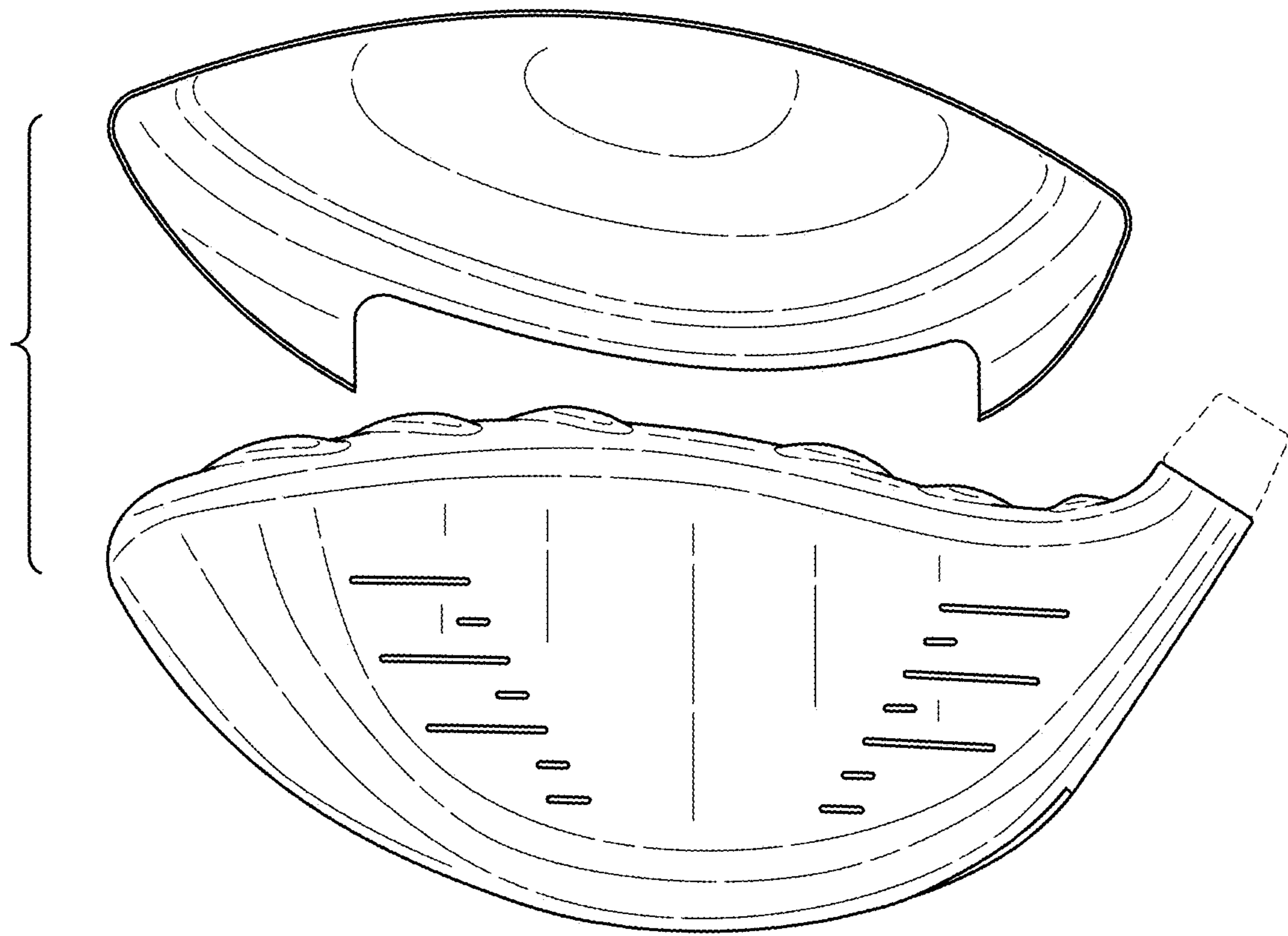


FIG.5

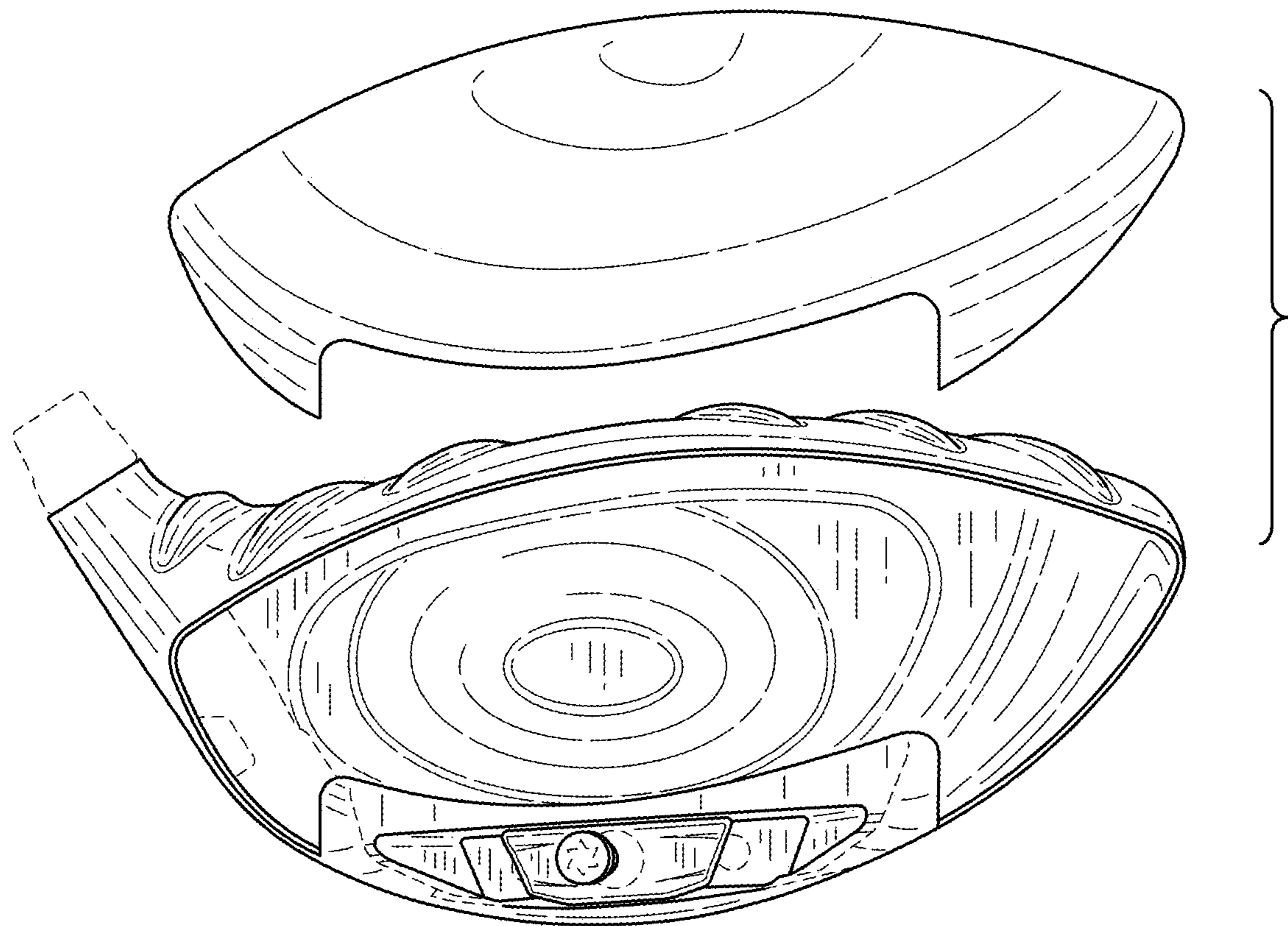


FIG.6

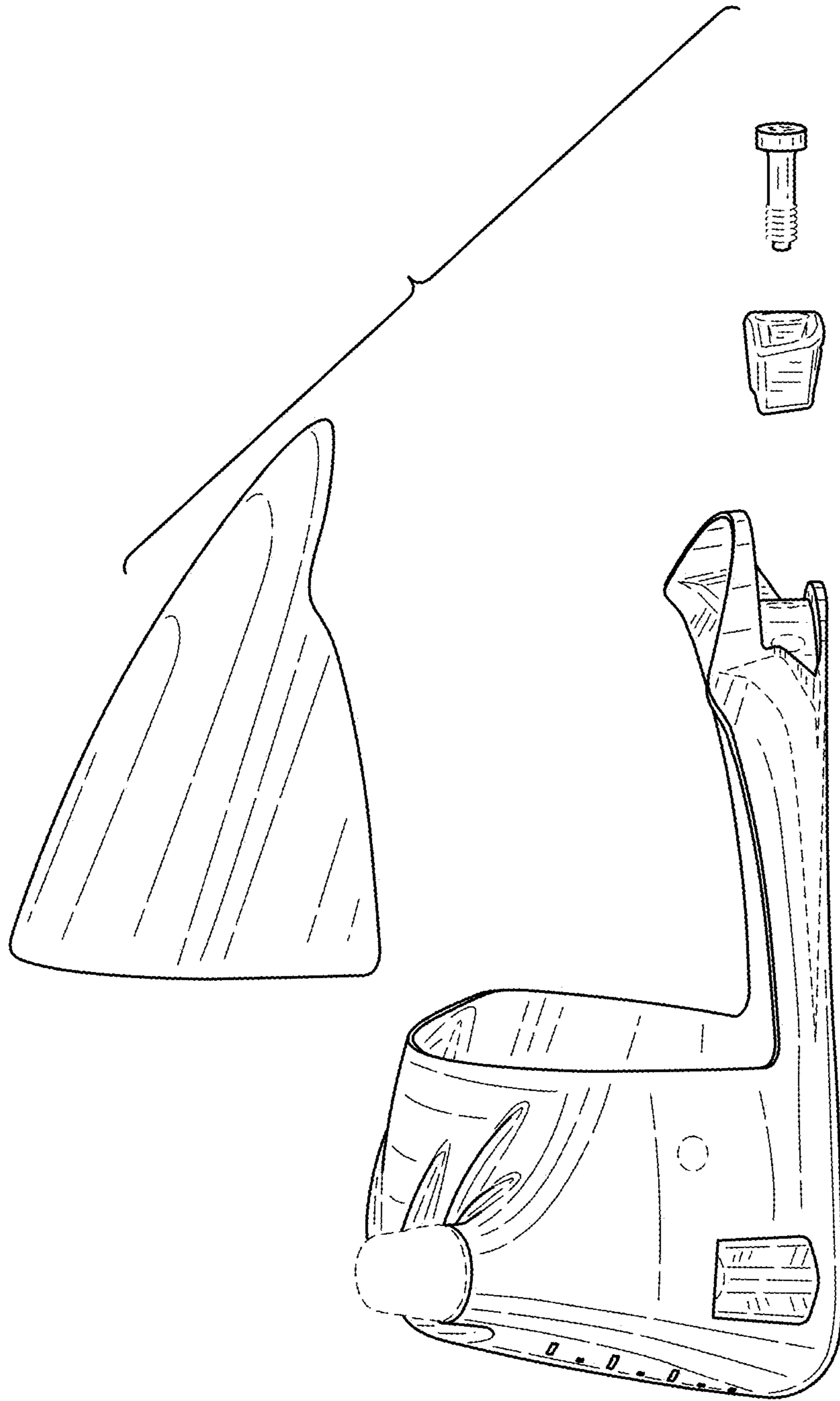


FIG. 7

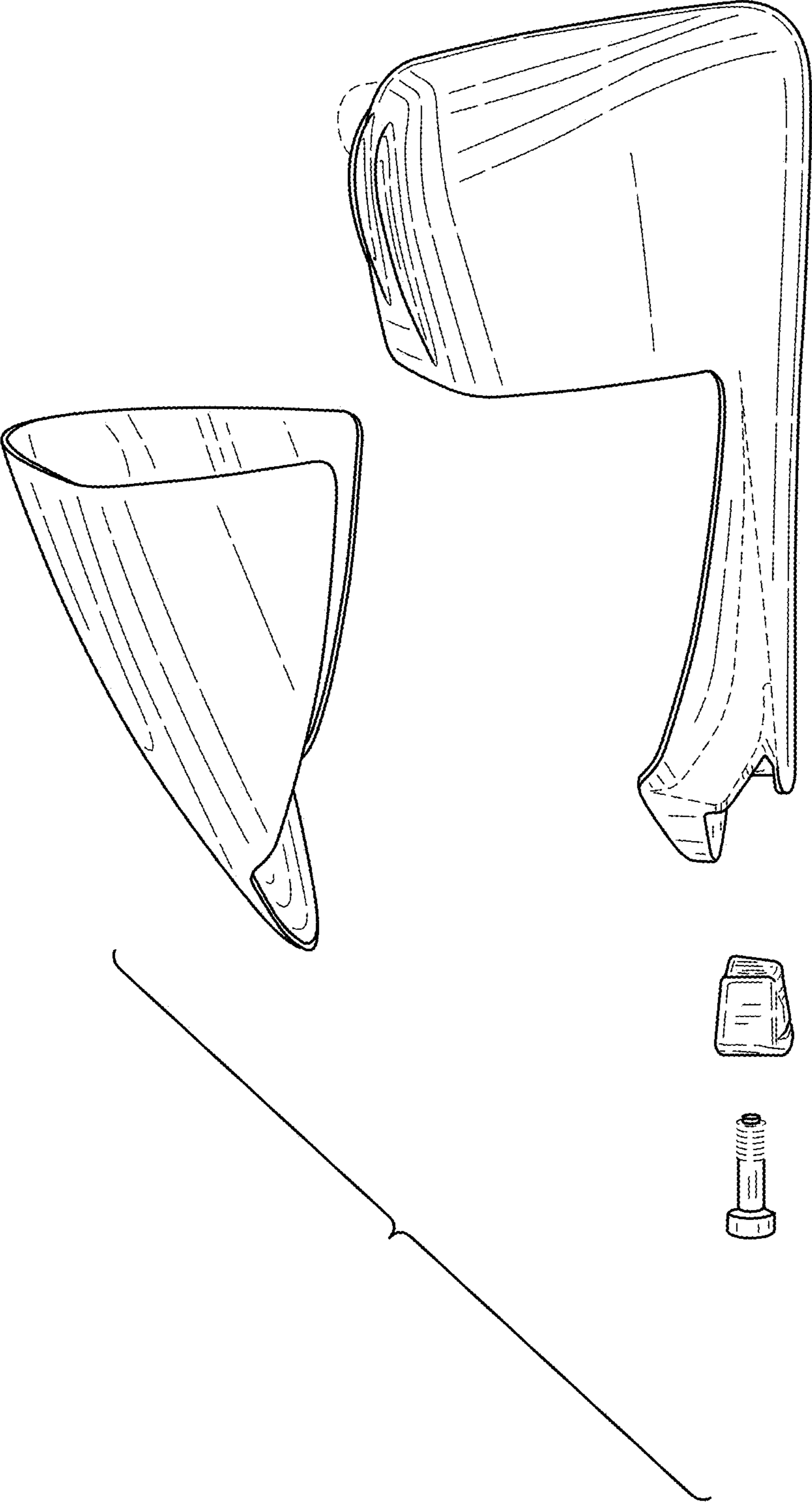


FIG.8

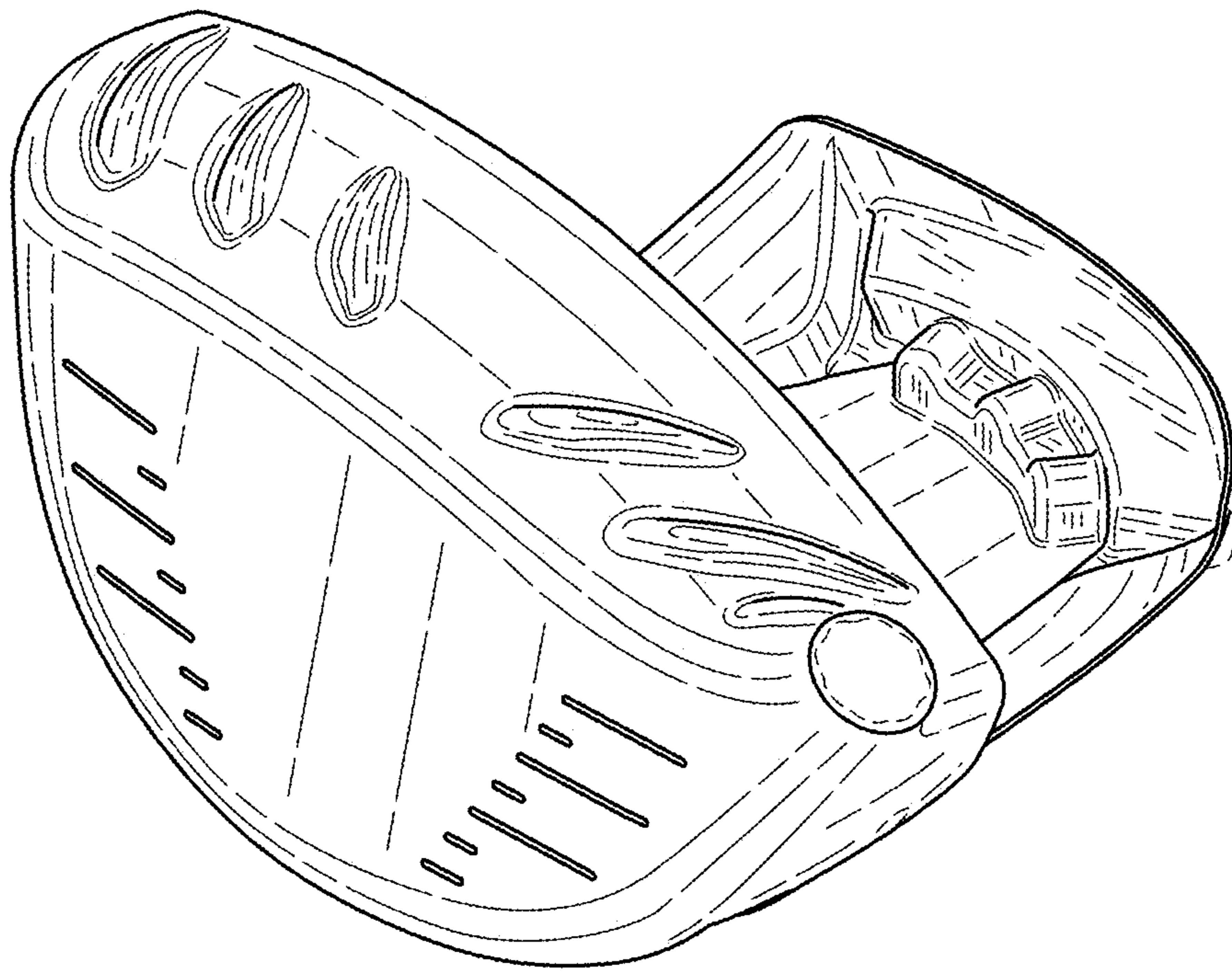


FIG.9

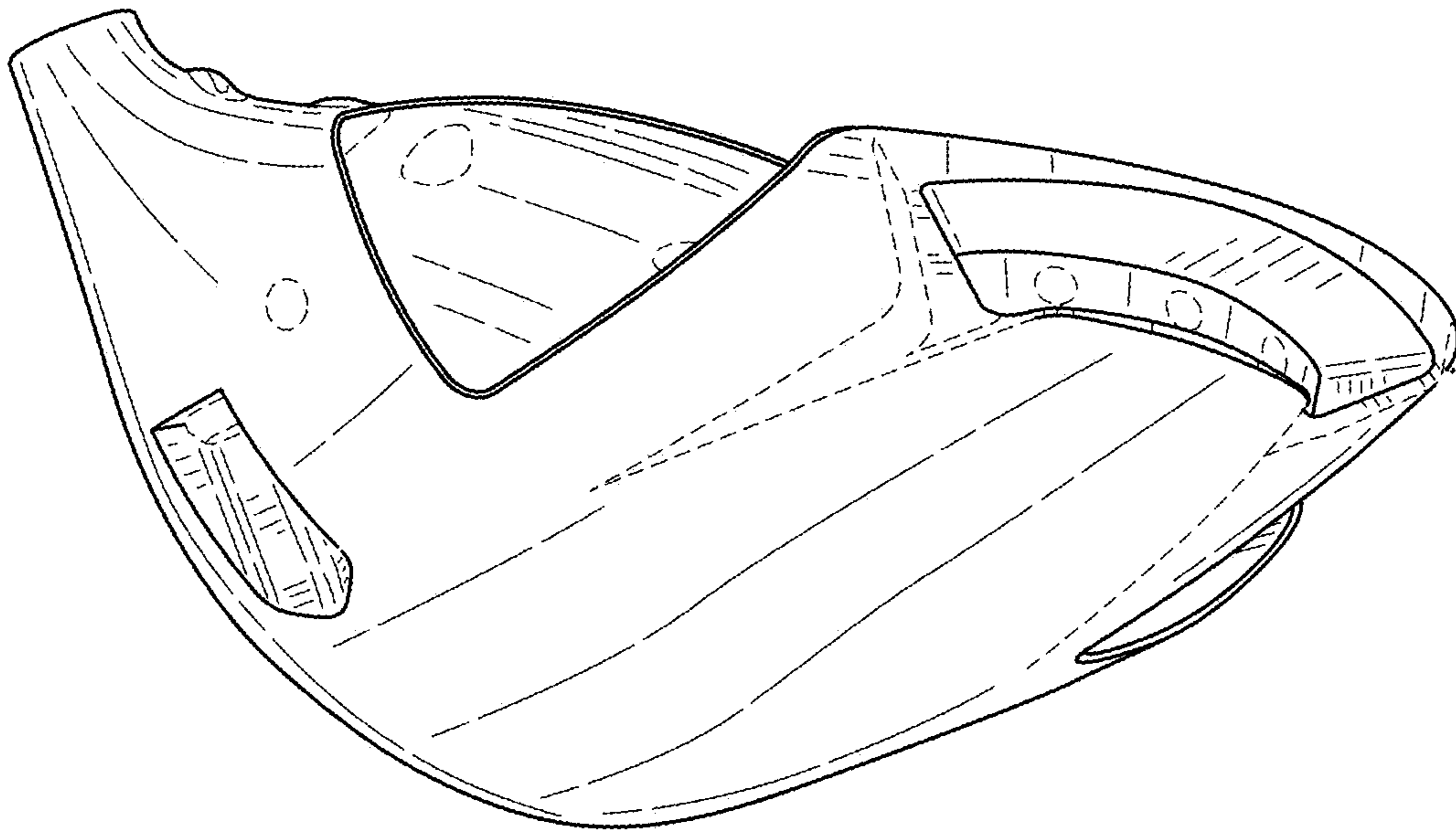


FIG.10

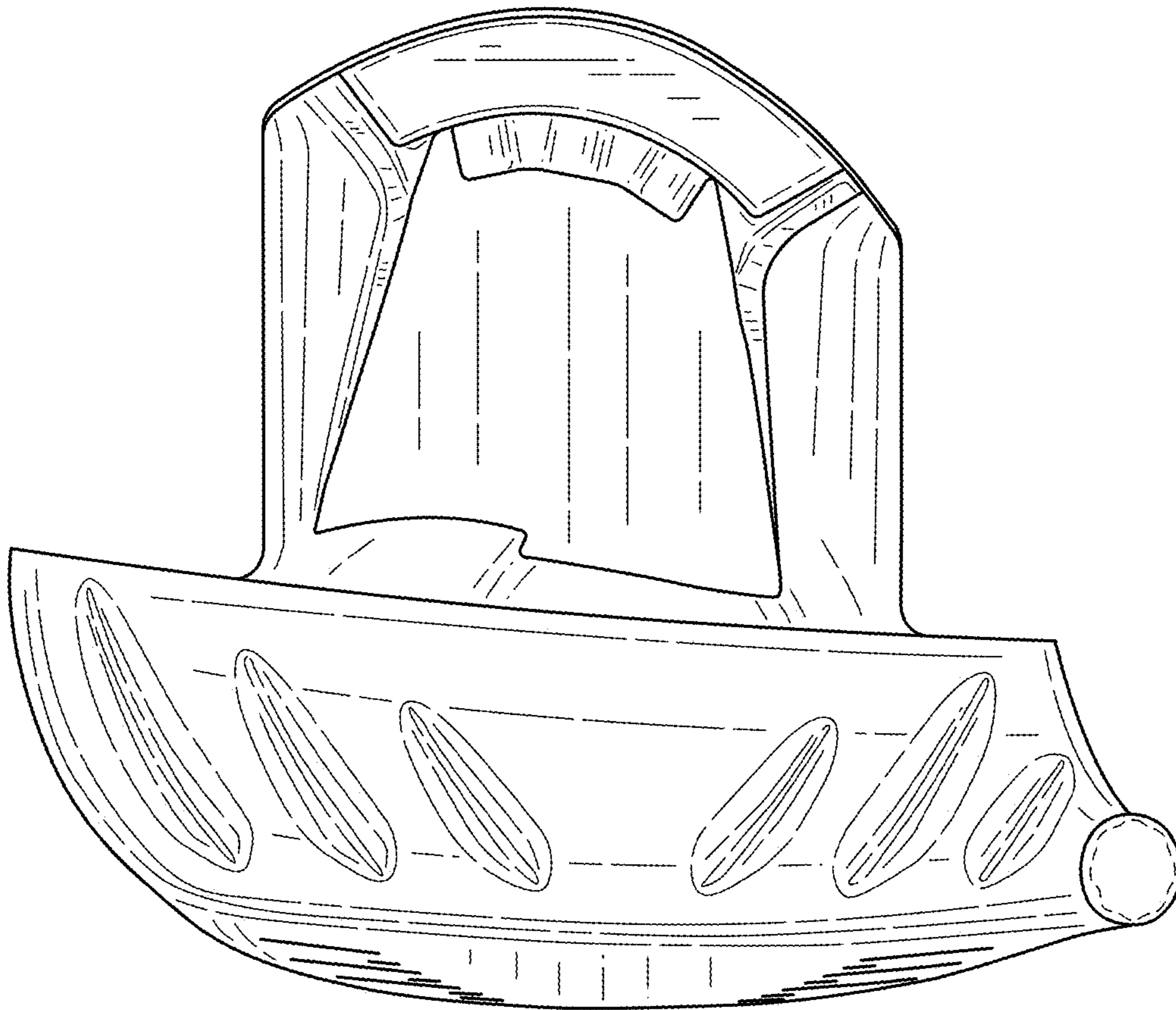


FIG.11

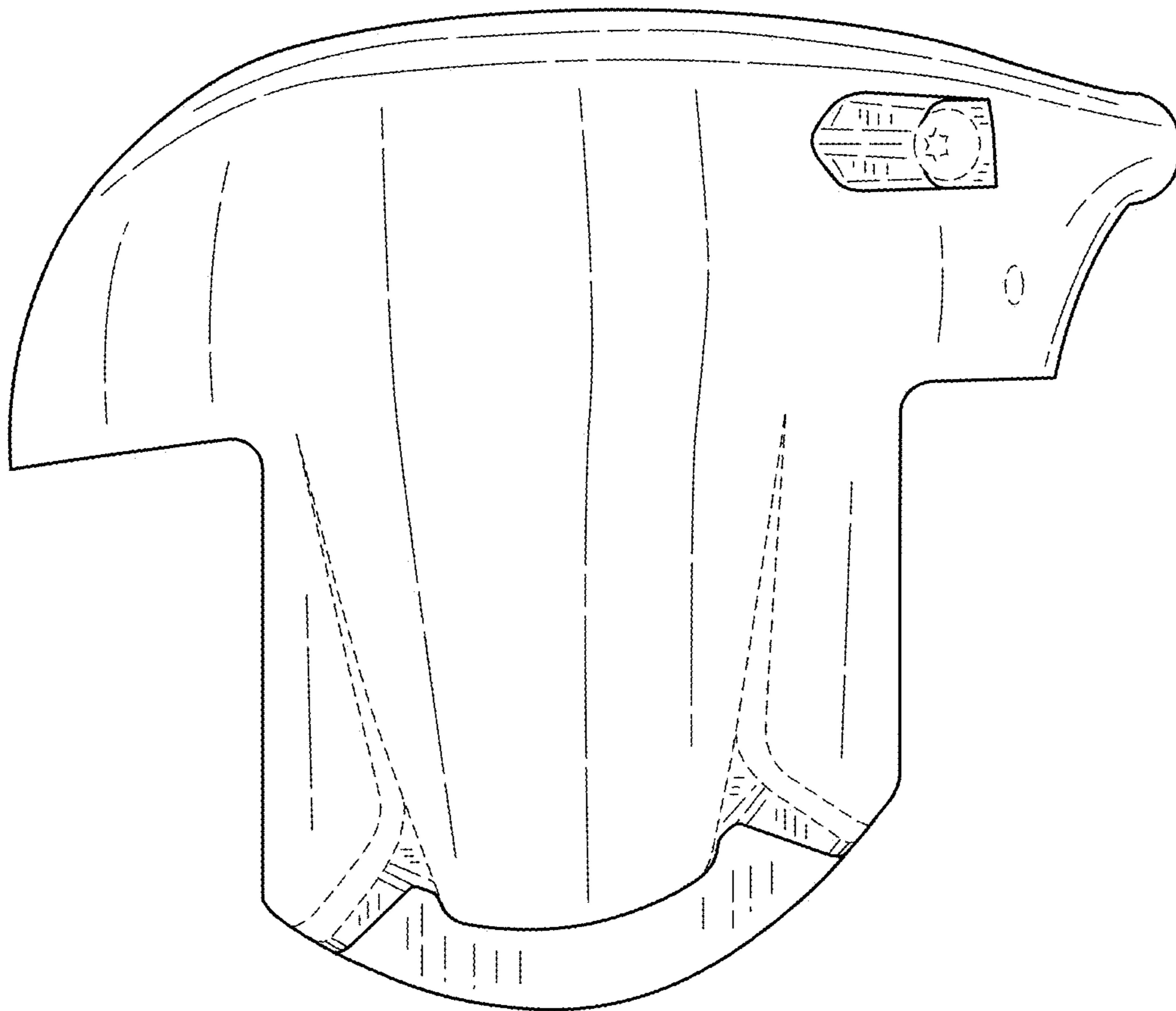


FIG.12

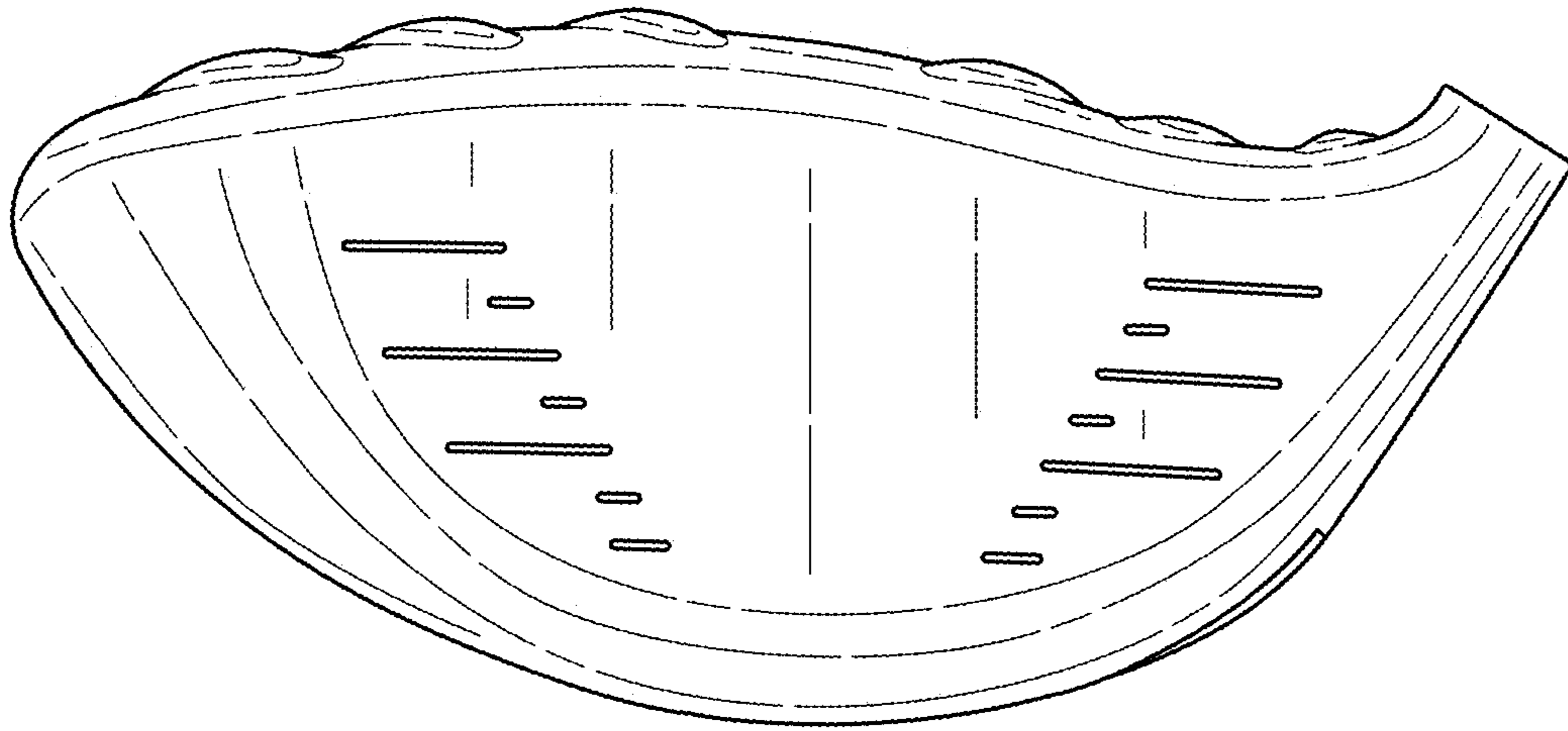


FIG.13

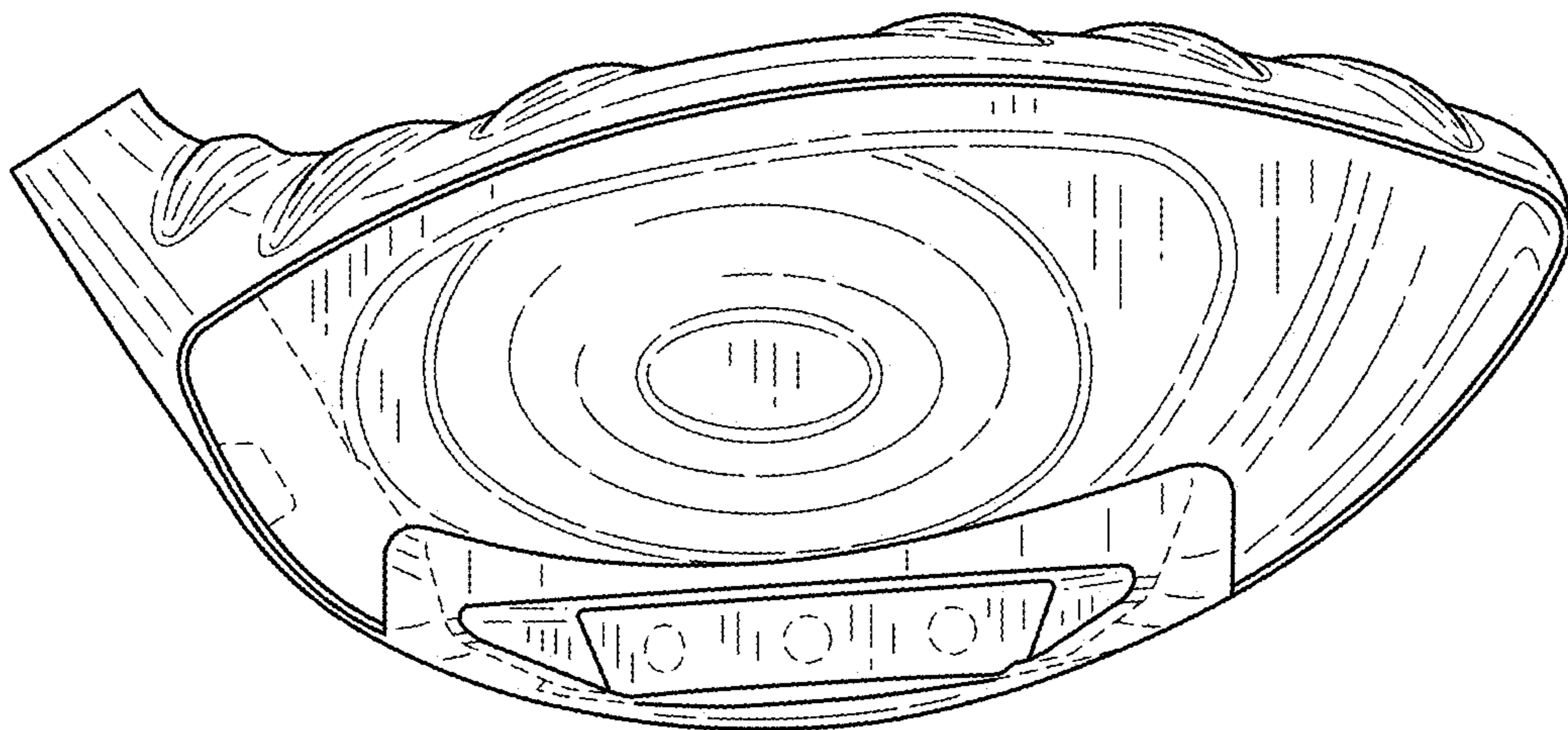


FIG.14

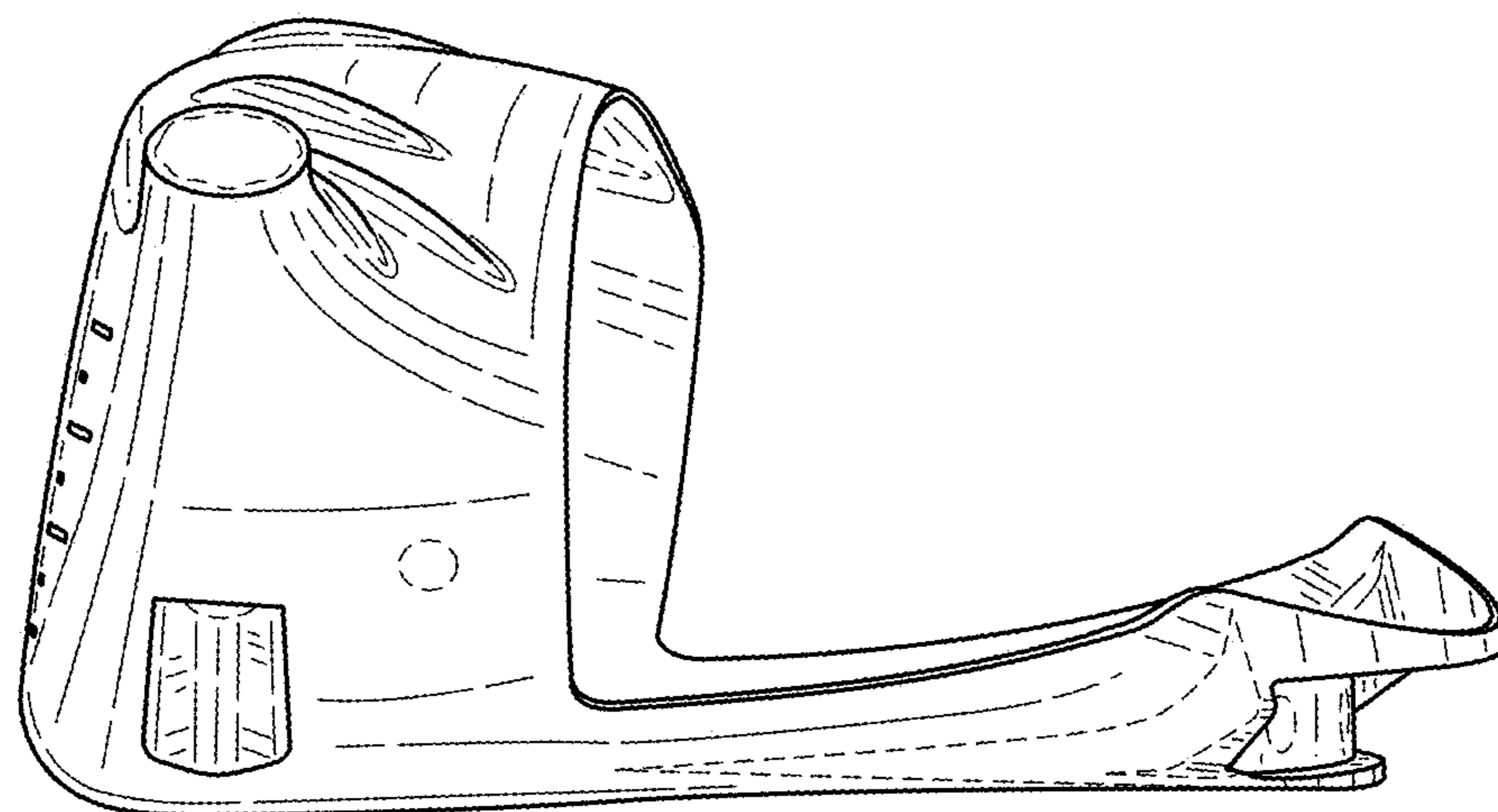


FIG.15

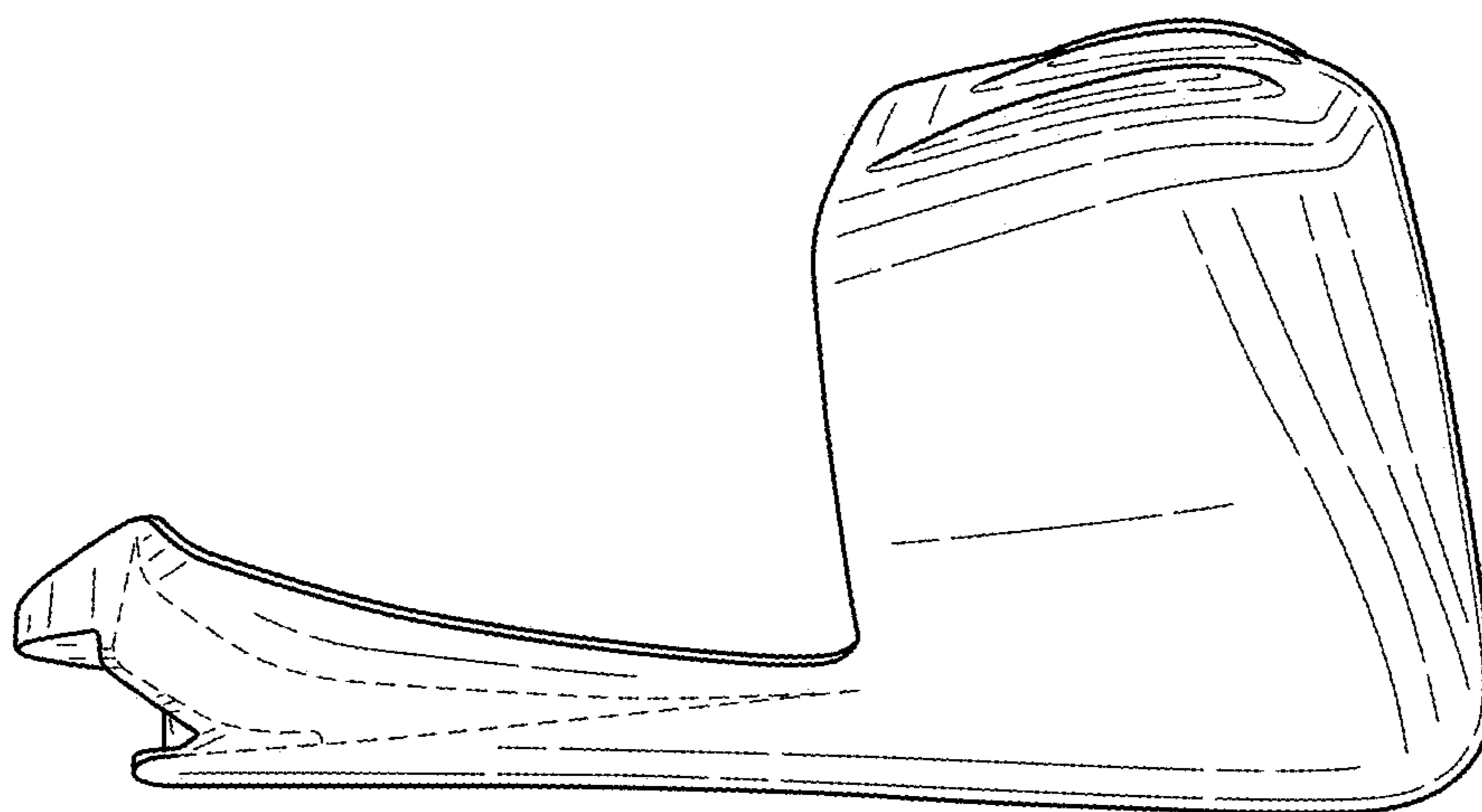


FIG.16

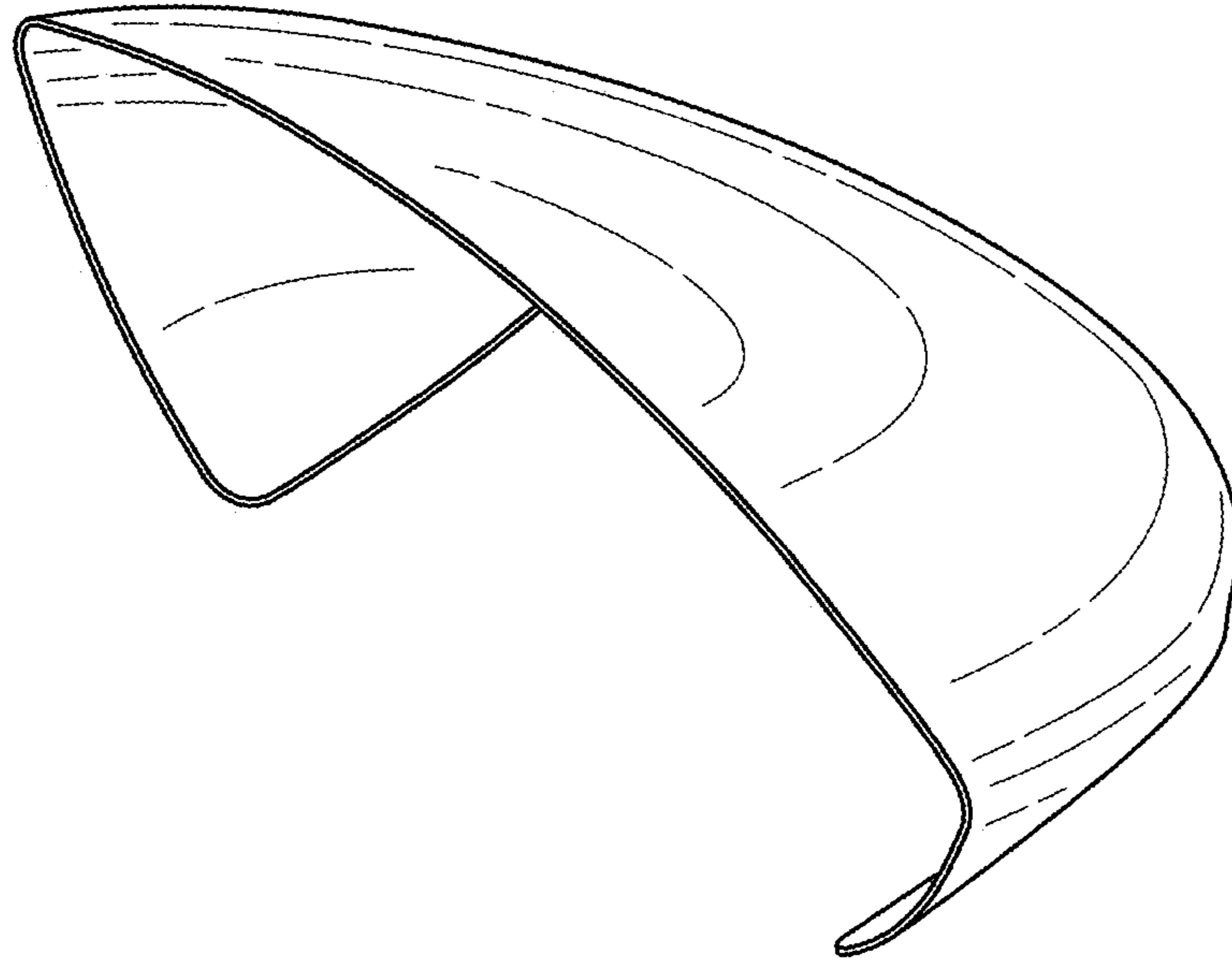


FIG.17

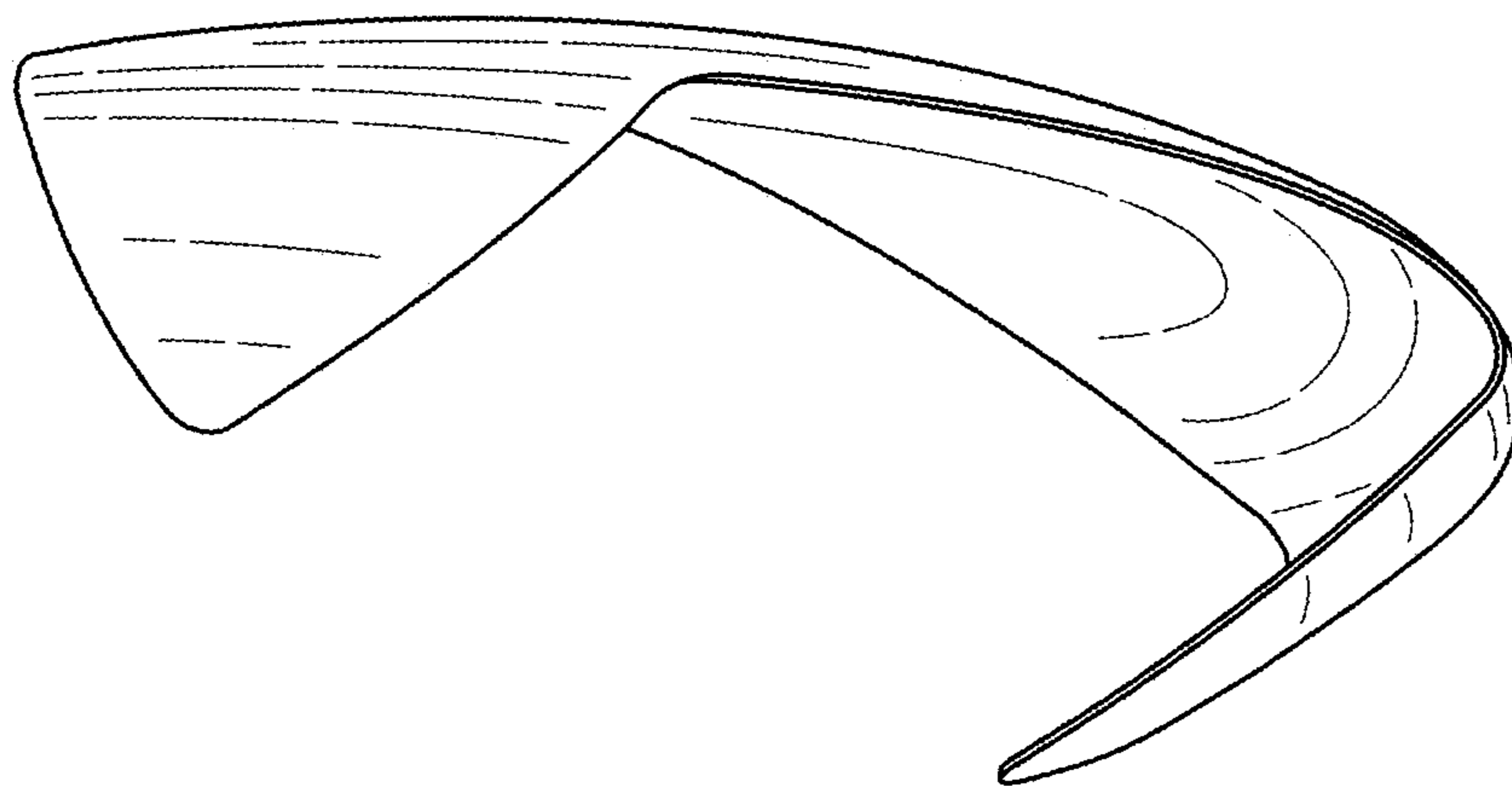


FIG.18

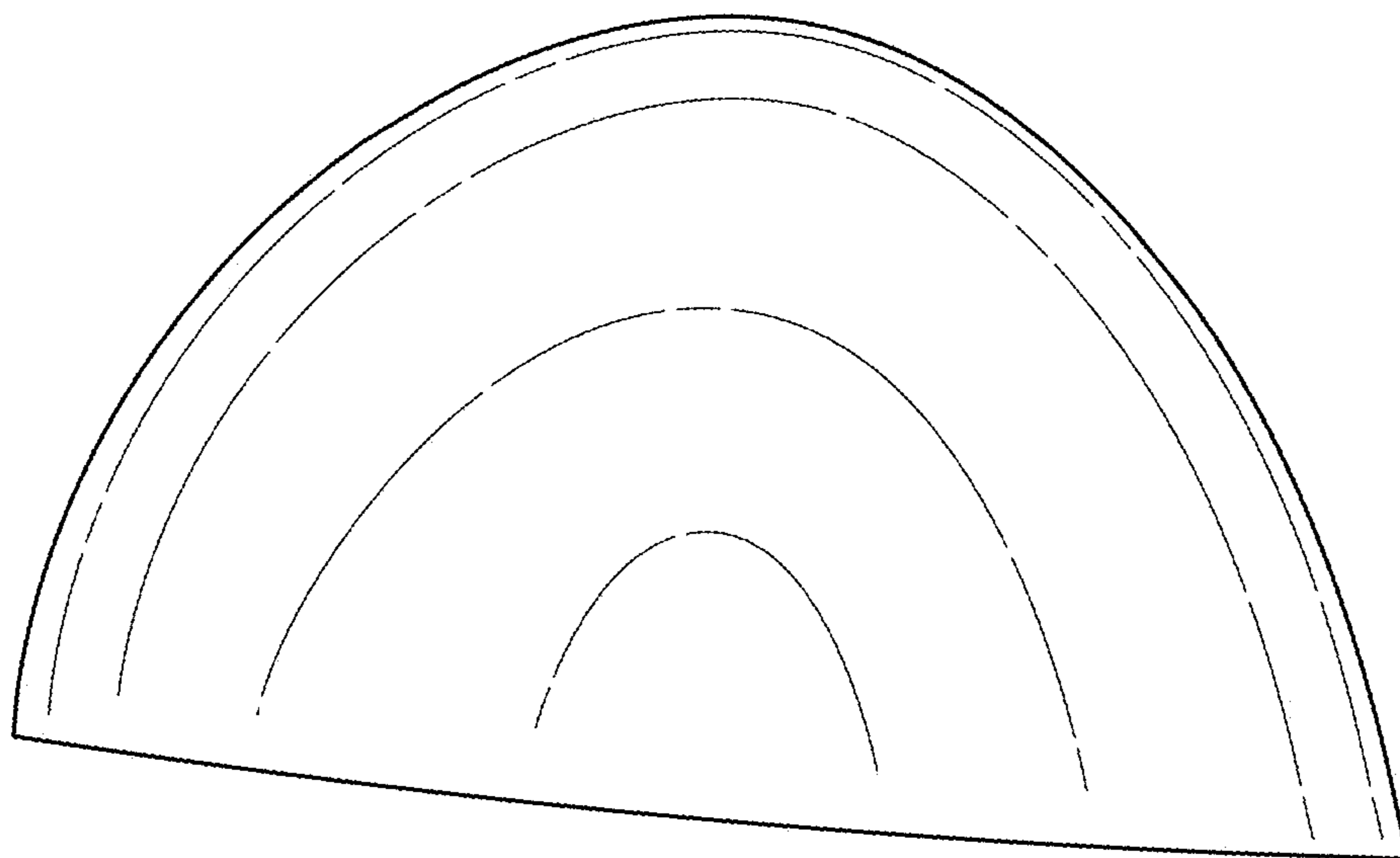


FIG.19

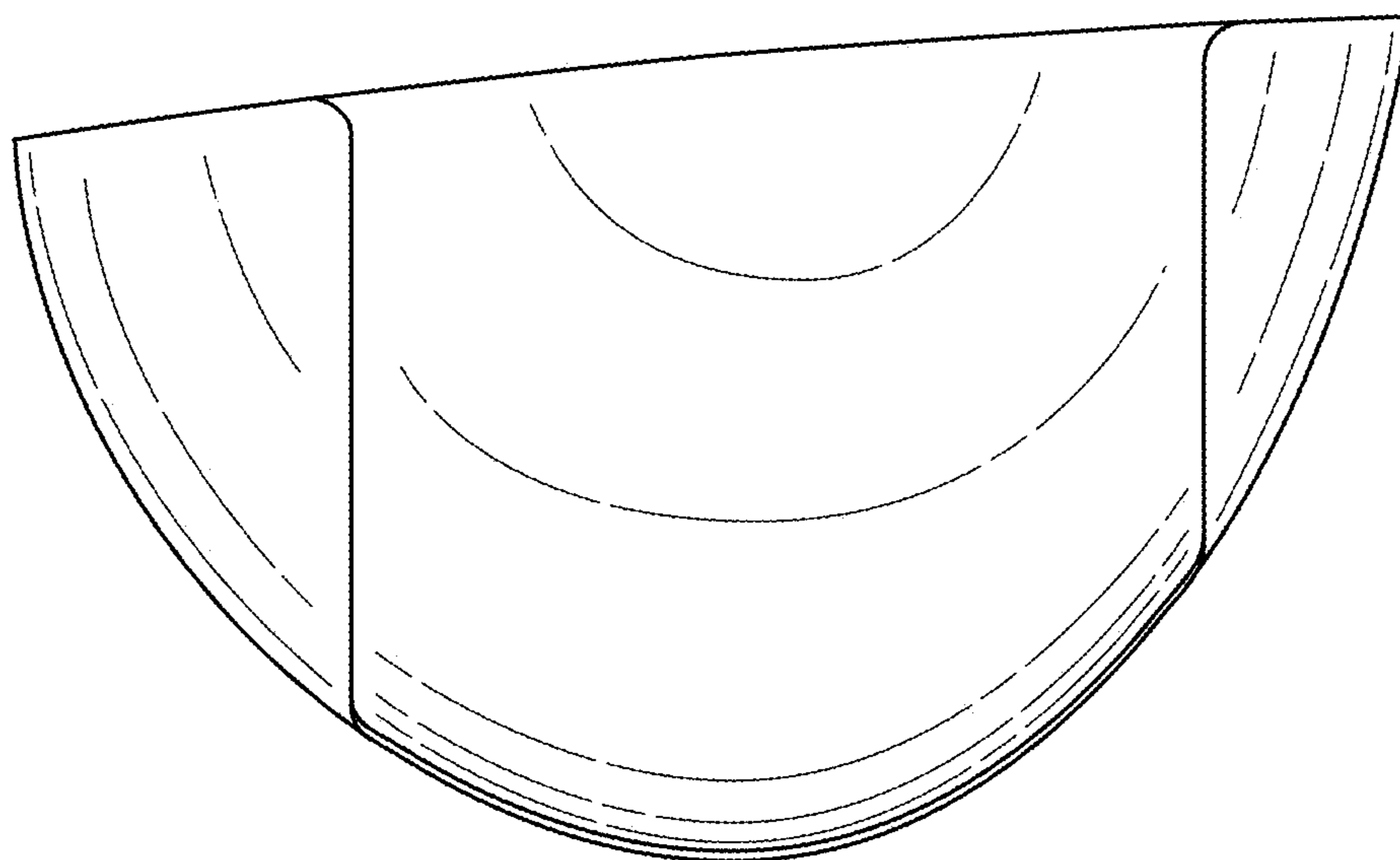


FIG.20

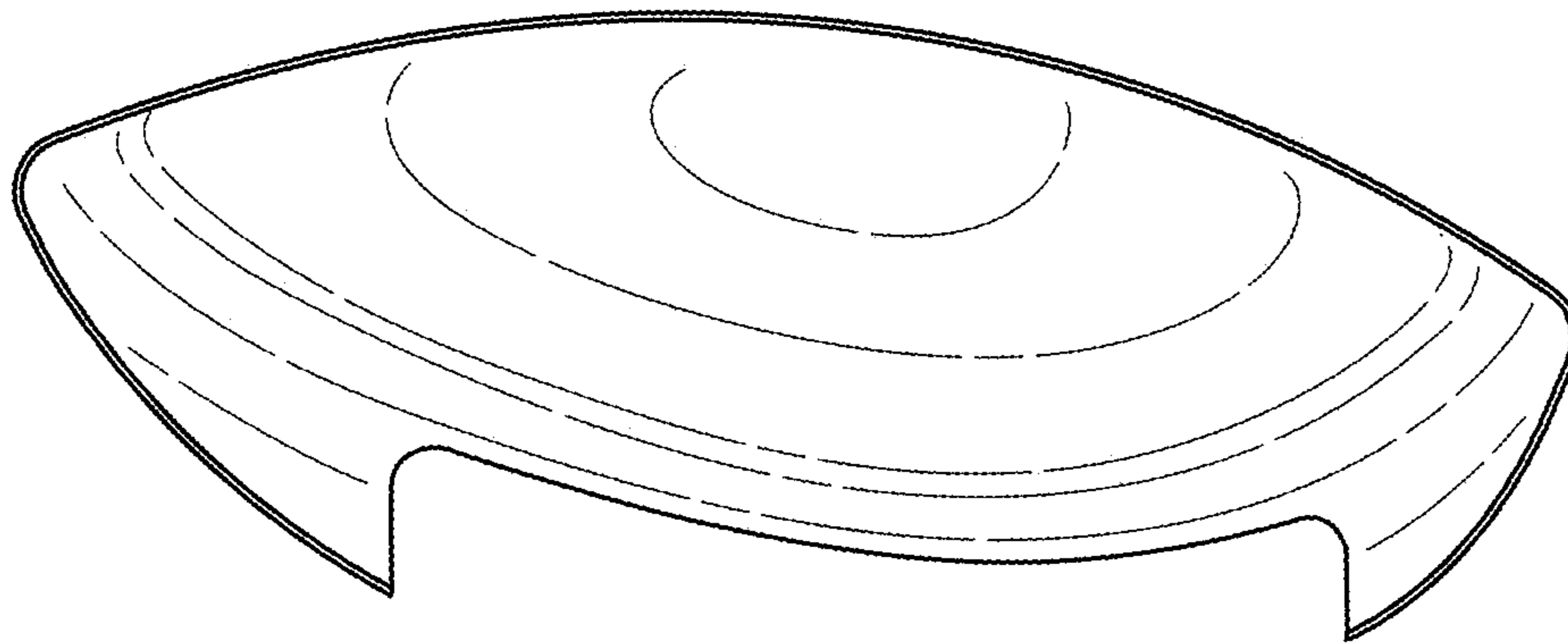


FIG. 21

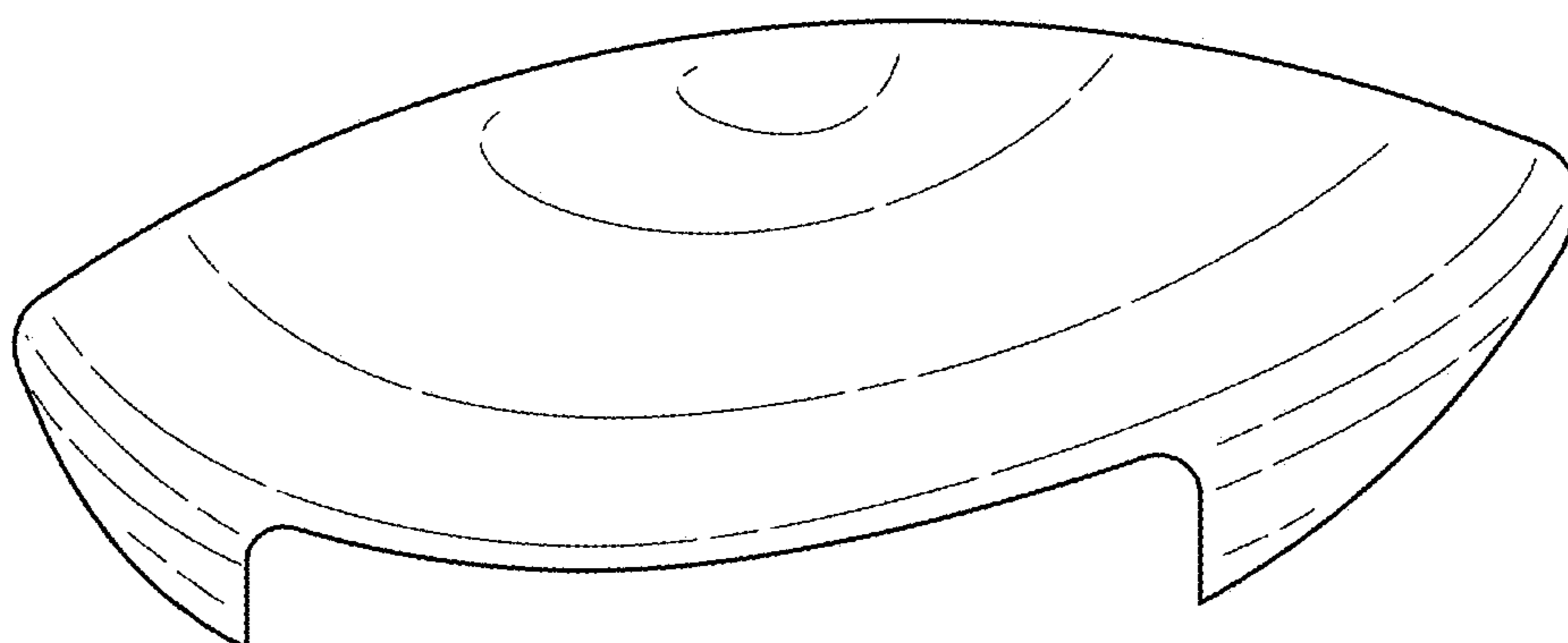


FIG. 22

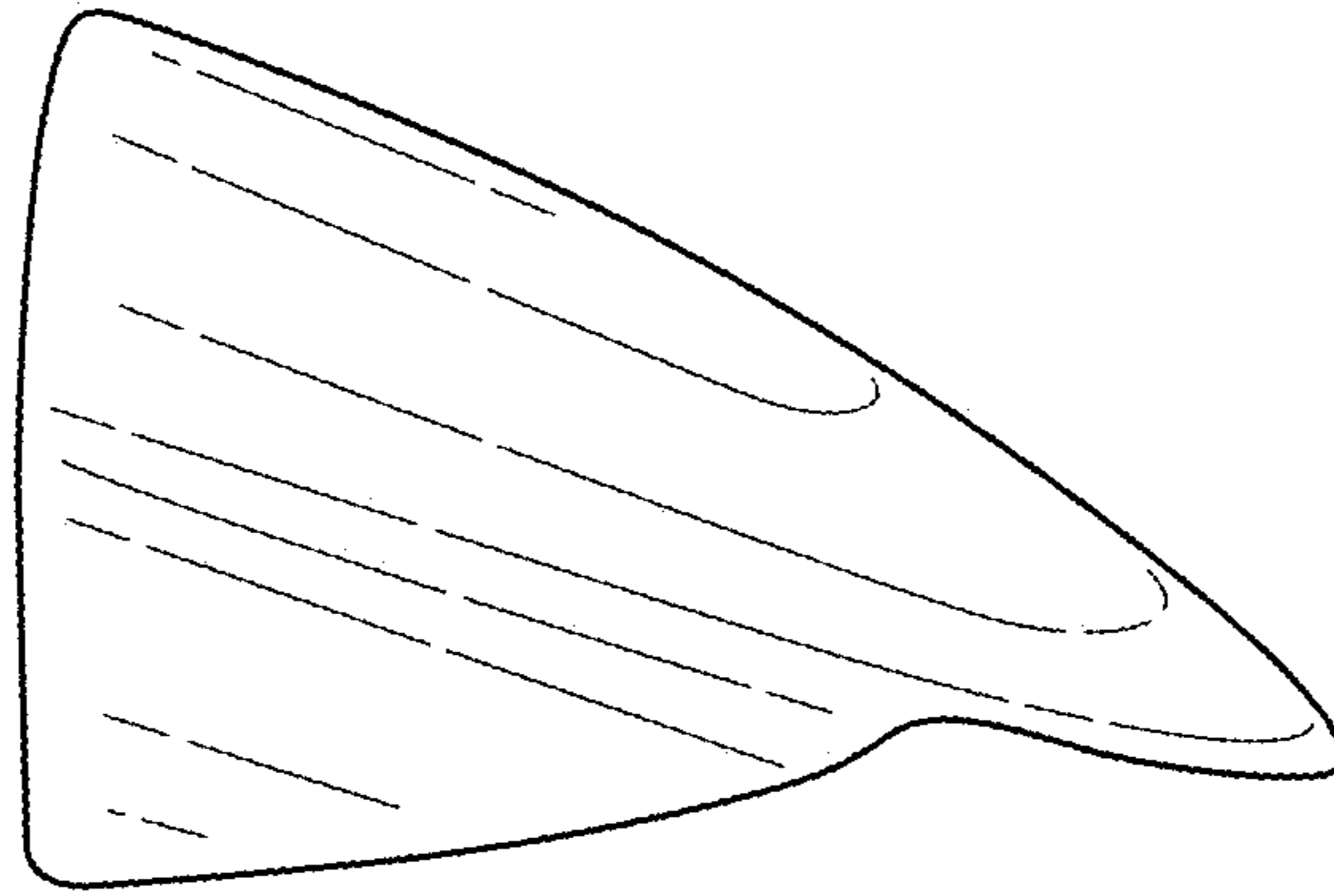


FIG.23

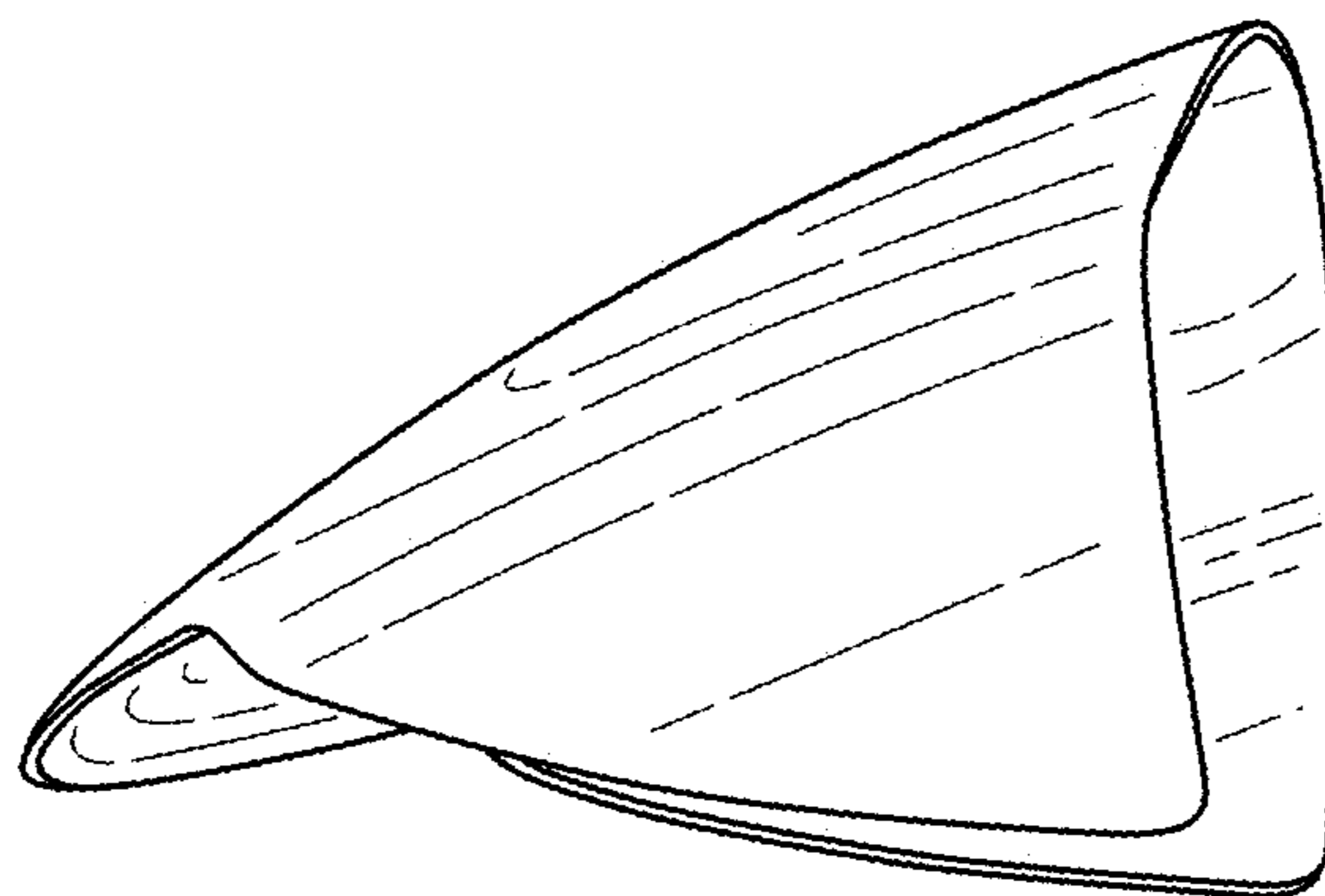


FIG.24