



US00D916990S

(12) **United States Design Patent** (10) **Patent No.:** **US D916,990 S**  
**Singanallur Murali** (45) **Date of Patent:** **\*\* Apr. 20, 2021**

(54) **BALLET BARRE FOOTER**

(71) Applicant: **Shyam Singanallur Murali**, Tamil Nadu (IN)

(72) Inventor: **Shyam Singanallur Murali**, Tamil Nadu (IN)

(73) Assignee: **STRIKEBOLD INC.**, Newark, DE (US)

(\*\*) Term: **15 Years**

(21) Appl. No.: **29/719,197**

(22) Filed: **Jan. 2, 2020**

(51) **LOC (13) Cl.** ..... **21-02**

(52) **U.S. Cl.**  
USPC ..... **D21/694**

(58) **Field of Classification Search**  
USPC ..... D21/694; D8/499, 396, 393  
See application file for complete search history.

(56) **References Cited**

**U.S. PATENT DOCUMENTS**

D233,507 S *	11/1974	Stevens	.....	D9/453
4,291,855 A *	9/1981	Schenkel	.....	F16L 3/12
				248/74.1
D273,659 S *	5/1984	Sakaguchi	.....	D8/394
D284,266 S *	6/1986	Resan	.....	D23/260
D404,996 S *	2/1999	Ross	.....	D8/382
D433,320 S	11/2000	Ware et al.		
D451,371 S *	12/2001	Borotto	.....	D8/395
6,324,725 B1	12/2001	Green		
D490,631 S	6/2004	Risdon et al.		
D531,890 S *	11/2006	Bentrim	.....	D8/382
D580,686 S	11/2008	Canova		
D640,886 S	7/2011	Glass et al.		
D658,053 S *	4/2012	Okun	.....	D8/396
D790,127 S *	6/2017	Verleur	.....	D27/183
2018/0363689 A1 *	12/2018	Richter	.....	F16B 7/20
2019/0381854 A1 *	12/2019	Hinders	.....	B60G 21/0551

**OTHER PUBLICATIONS**

“Portable Double Freestanding 4 foot Ballet Barre” by Barre Trainer, Found Online on [Jan. 2, 2020] [https://images-na.ssl-images-amazon.com/images/I/51fQxPklwK.\\_SL1280\\_.jpg](https://images-na.ssl-images-amazon.com/images/I/51fQxPklwK._SL1280_.jpg).

“Portable Ballet Barre Free Standing Double Ballet Bar Dance Equipment” by Get Out!, Found Online on [Jan. 2, 2020] <https://i.ebayimg.com/images/g/EkkAAOSw3JdcWPI-/s-11600.jpg>.

“Prodigy Series Portable Double Aluminum Freestanding Ballet Barre” by Vita Vibe, Found Online on [Jan. 2, 2020] <https://images-na.ssl-images-amazon.com/images/I/31WPxGf0yyL.jpg>.

“Advanced Stability Foot Pieces for Ballet Barres” by Boss Ballet Barres, Found Online on [Jan. 2, 2020] [https://cdn.shopify.com/s/files/1/0750/6269/products/barrefoot2\\_0facd63d-4887-4f2b-9b9f-5c5b5c9cf09b.jpg?v=1479309625](https://cdn.shopify.com/s/files/1/0750/6269/products/barrefoot2_0facd63d-4887-4f2b-9b9f-5c5b5c9cf09b.jpg?v=1479309625).

“Adjustable Portable Double Freestanding Ballet Barre” by Costway, Found Online on [Jan. 2, 2020] [https://i5.walmartimages.com/asr/7834aaf4-d341-44d5-ac8b-152fdeb39753\\_1.04f4e7521146c00a73ed3bc038f694b0.jpeg](https://i5.walmartimages.com/asr/7834aaf4-d341-44d5-ac8b-152fdeb39753_1.04f4e7521146c00a73ed3bc038f694b0.jpeg).

\* cited by examiner

*Primary Examiner* — Khawaja Anwar

*Assistant Examiner* — Julice Seung Eun Oum

(74) *Attorney, Agent, or Firm* — Legalforce RAPC Worldwide

(57) **CLAIM**

The ornamental design for a ballet barre footer, as shown and described.

**DESCRIPTION**

FIG. 1 is a front top right side perspective view for a ballet barre footer, showing my new design;

FIG. 2 is a front elevational view of FIG. 1 thereof;

FIG. 3 is a rear elevational view of FIG. 1 thereof;

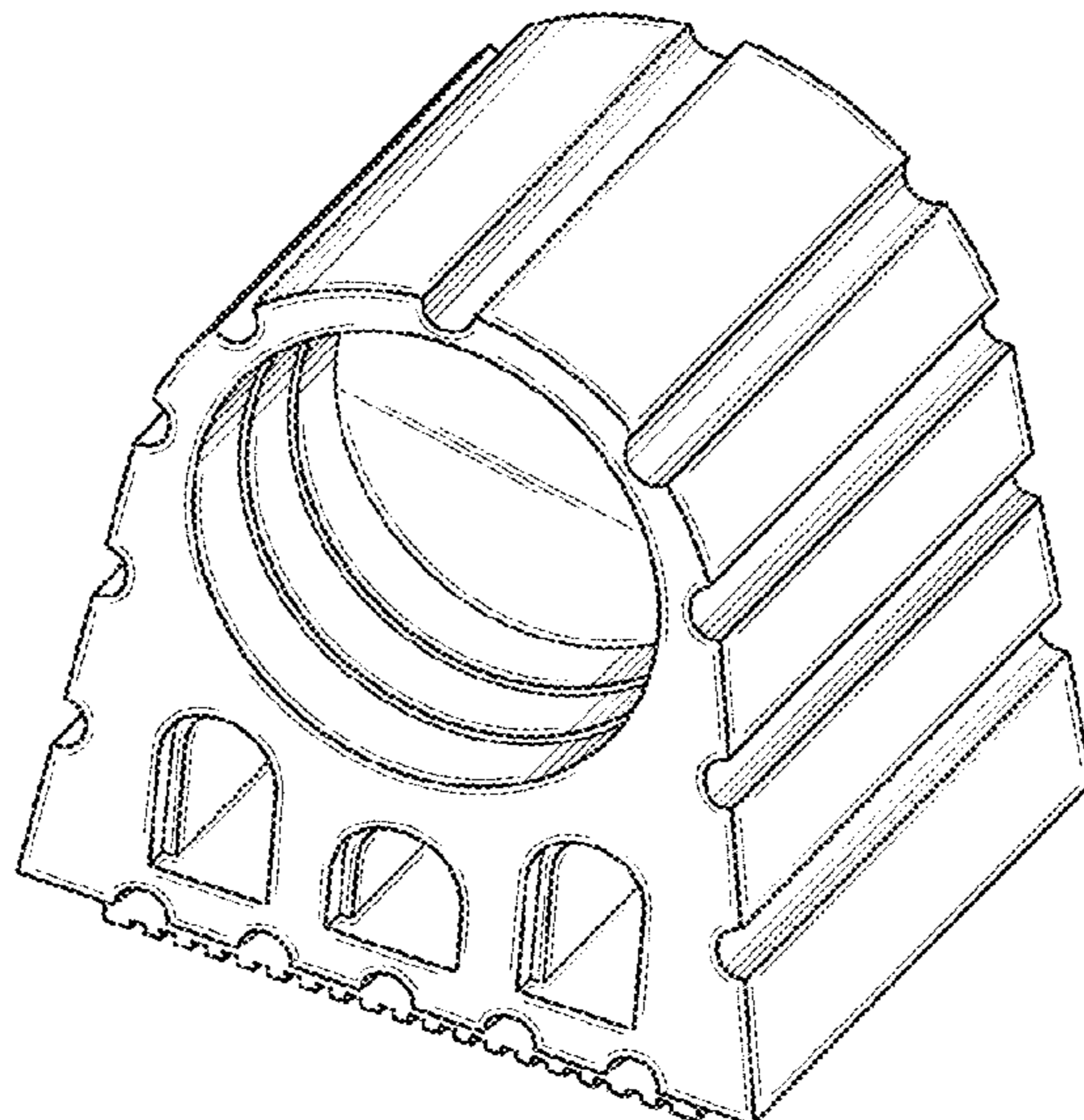
FIG. 4 is a left side elevational view of FIG. 1 thereof;

FIG. 5 is a right side elevational view of FIG. 1 thereof;

FIG. 6 is a top plan view of FIG. 1 thereof; and,

FIG. 7 is a bottom plan view of FIG. 1 thereof.

**1 Claim, 7 Drawing Sheets**



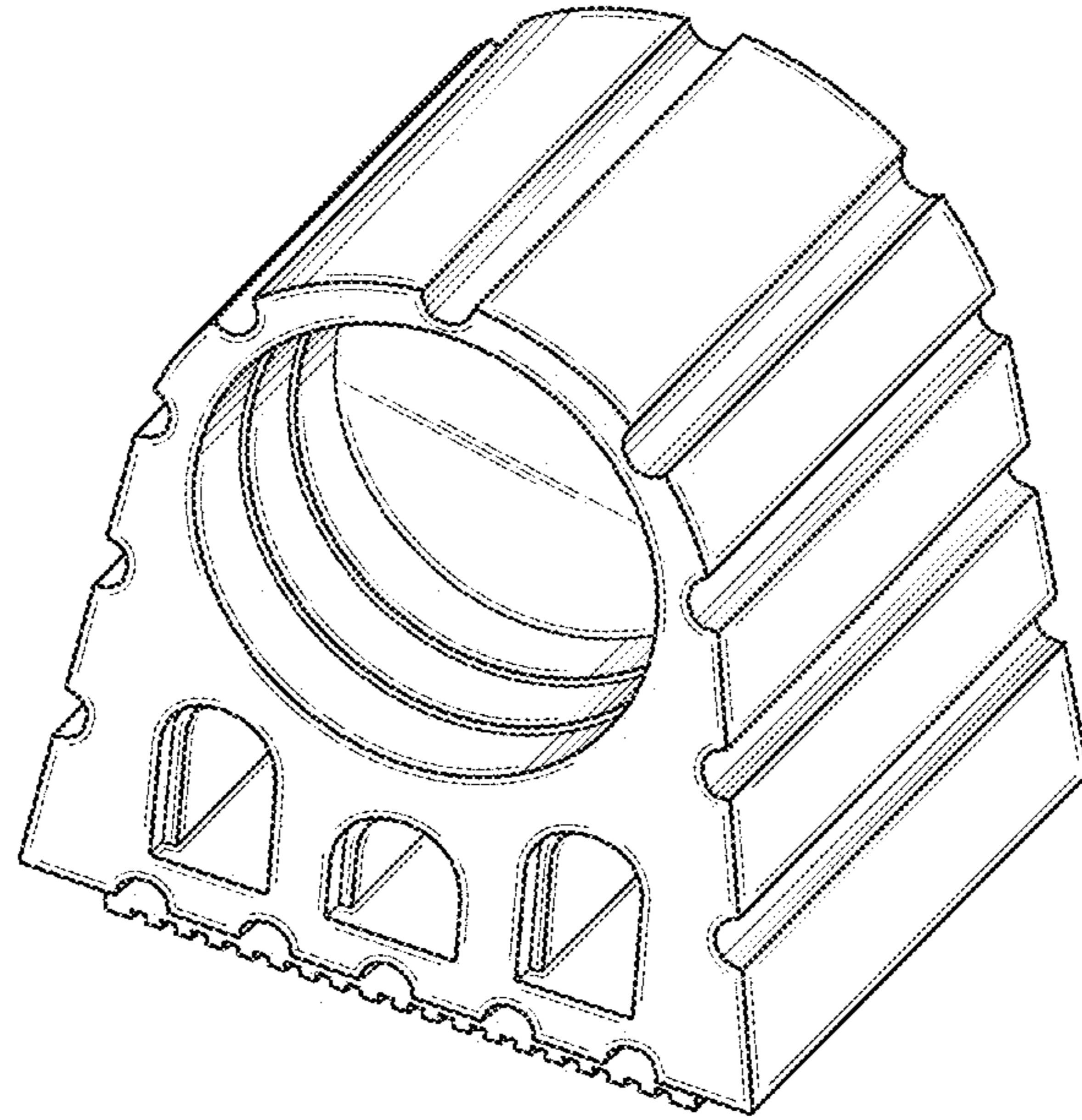


FIG. 1

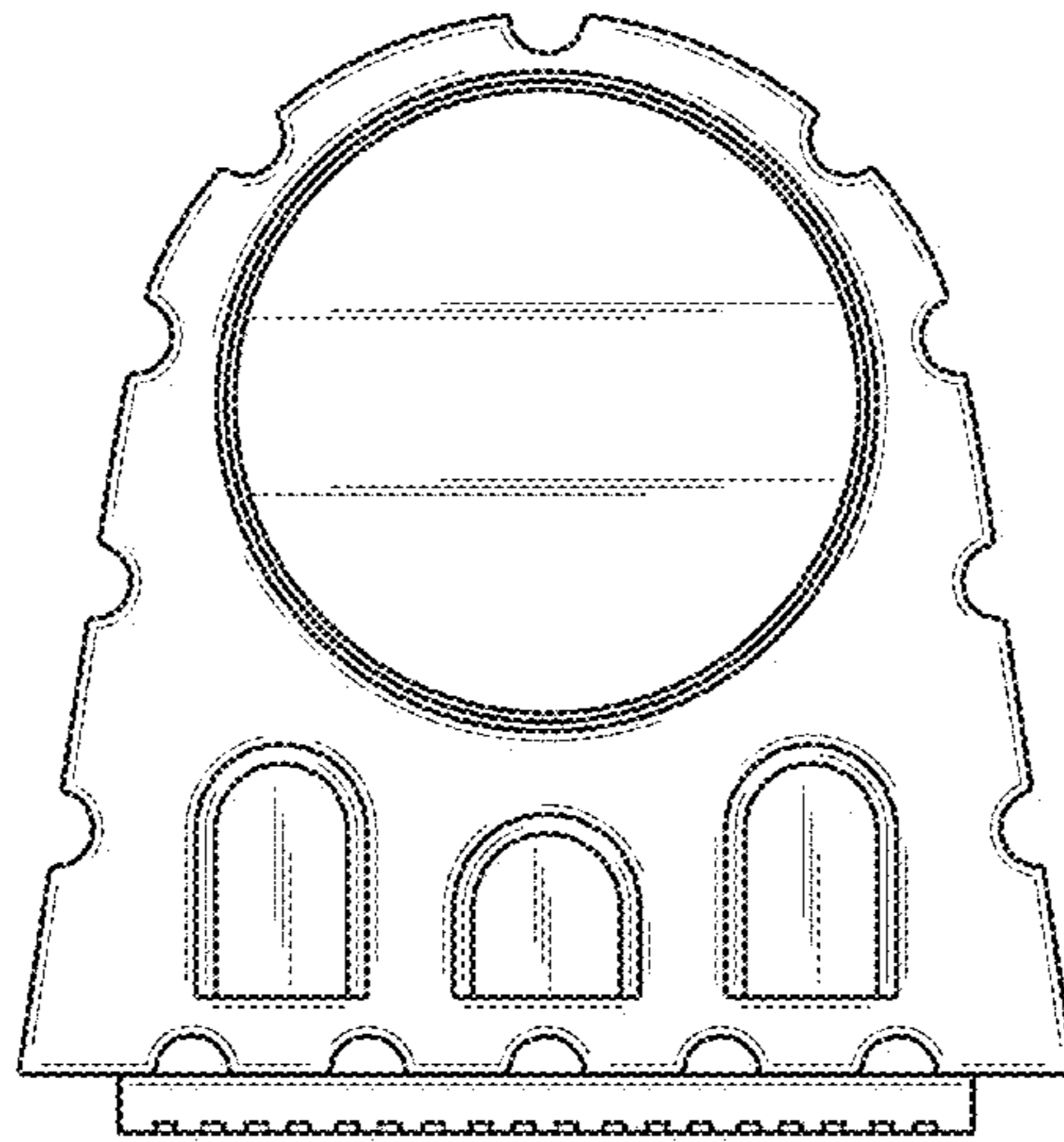


FIG. 2

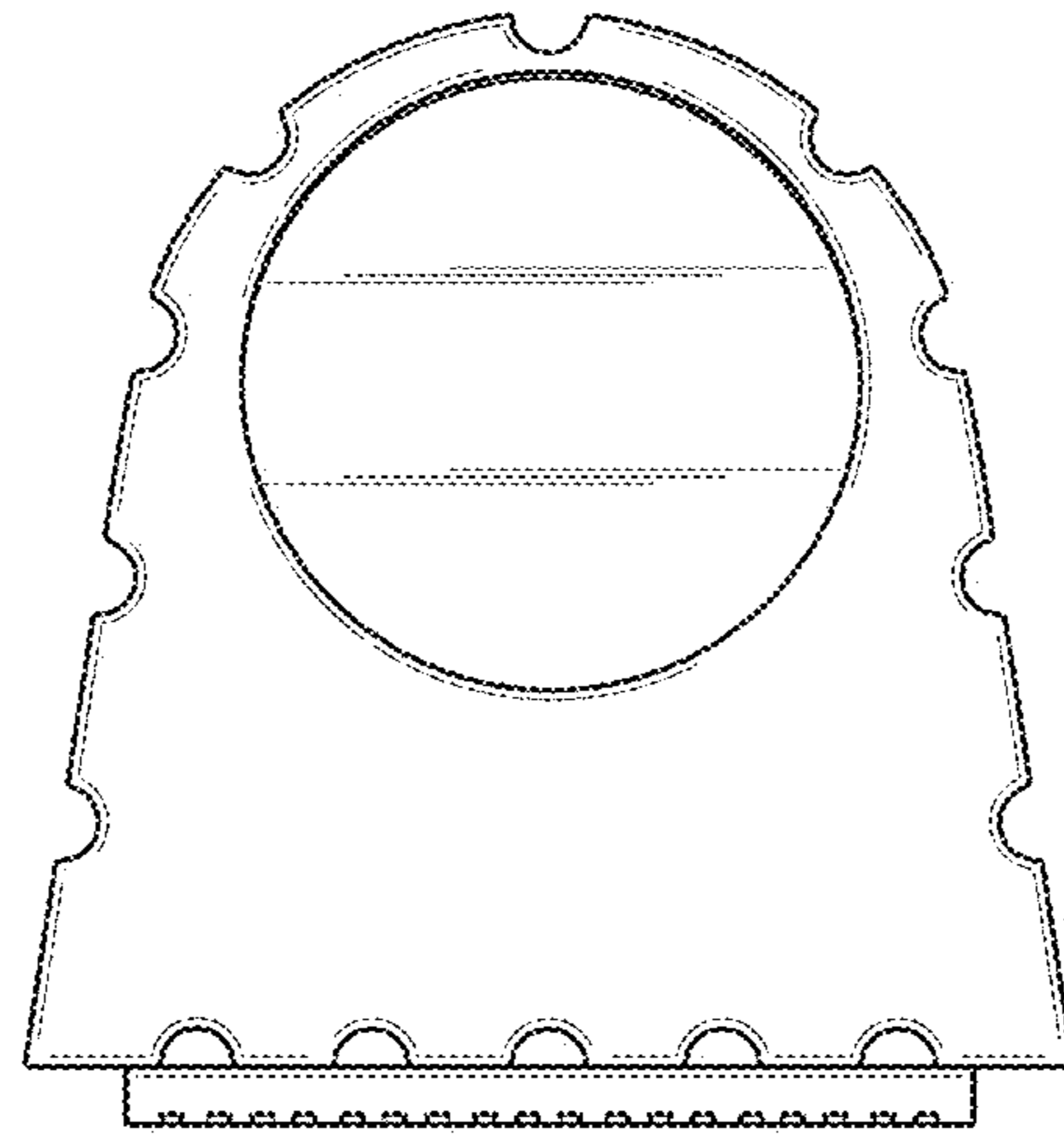


FIG. 3

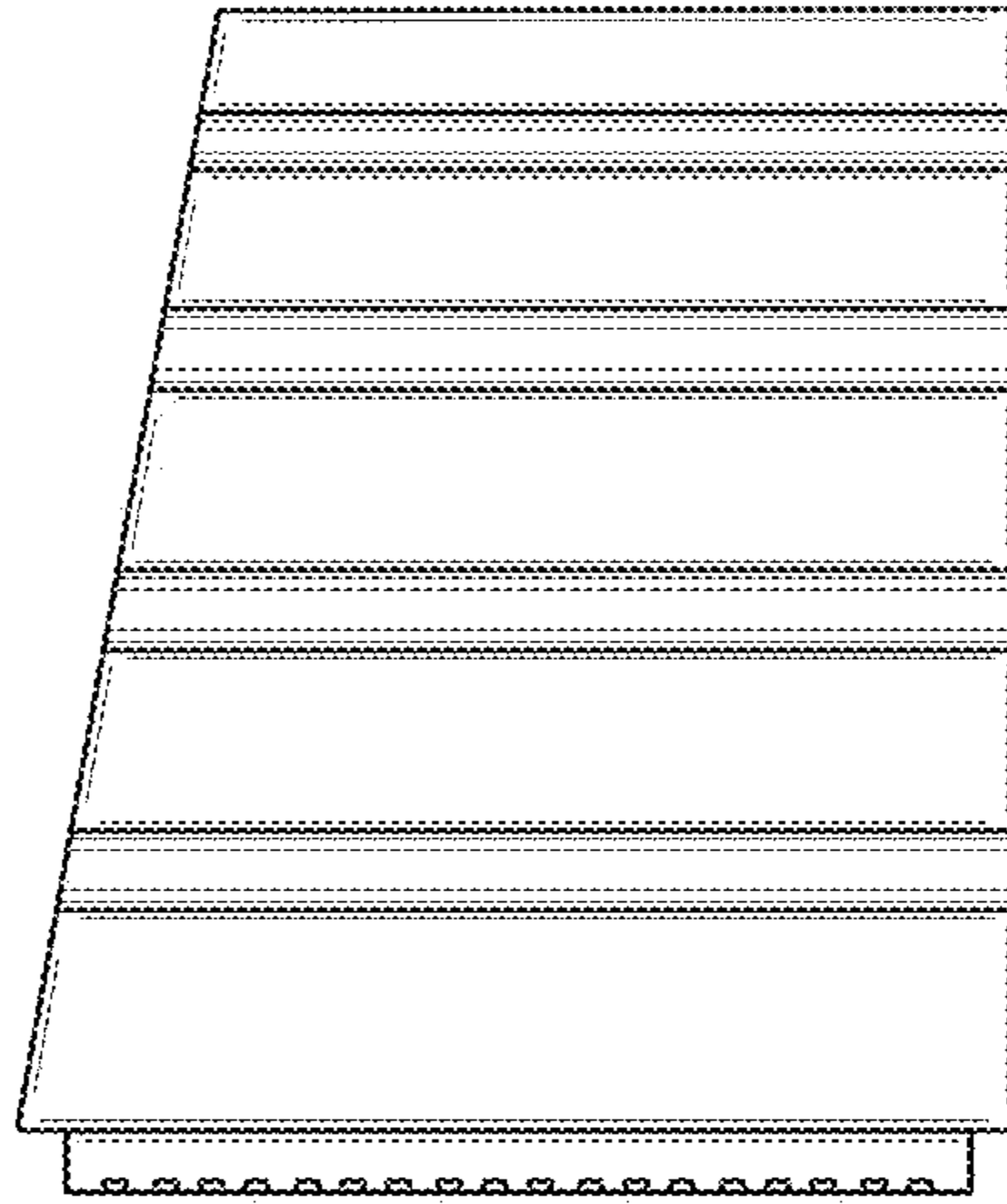


FIG. 4

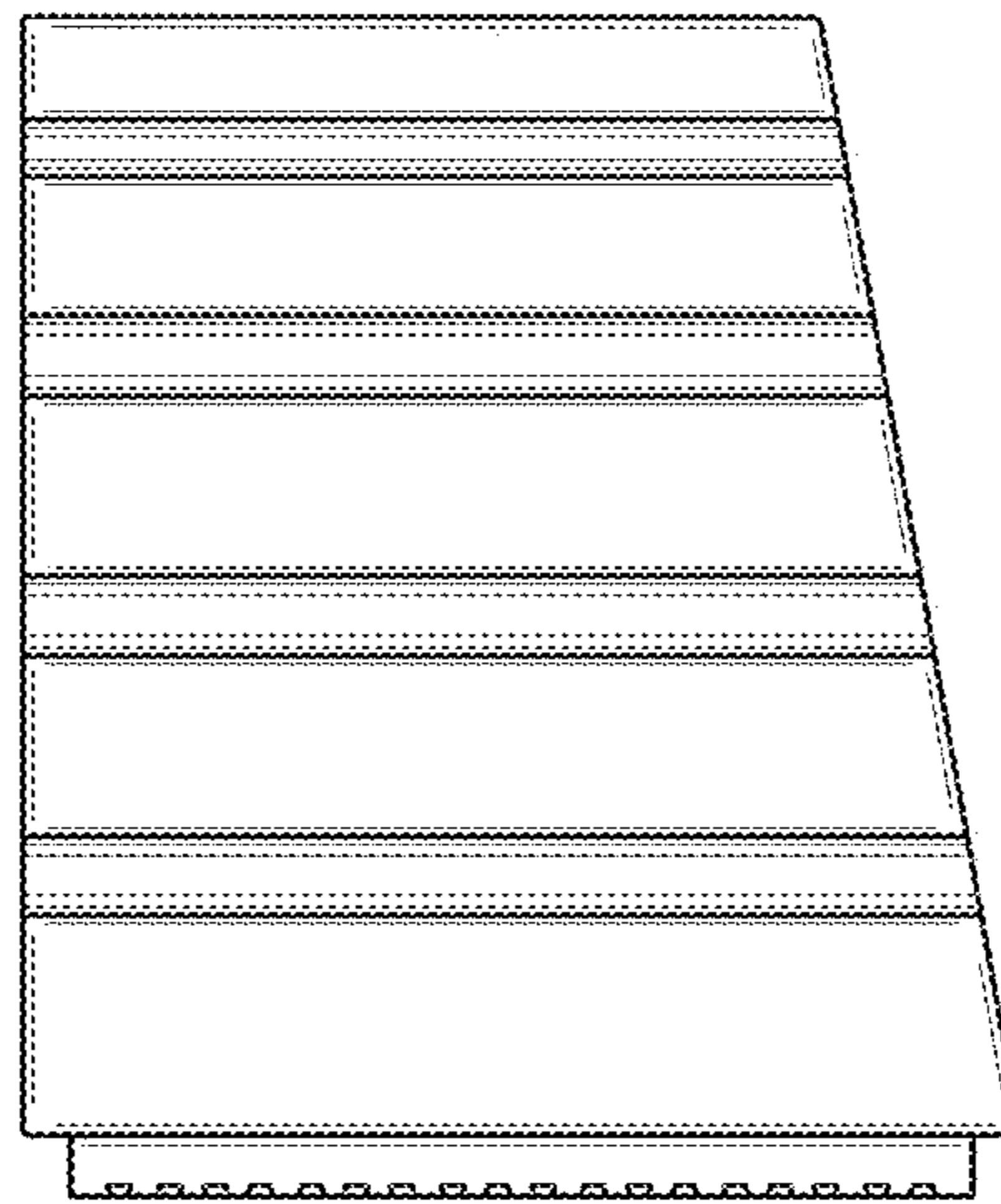


FIG. 5

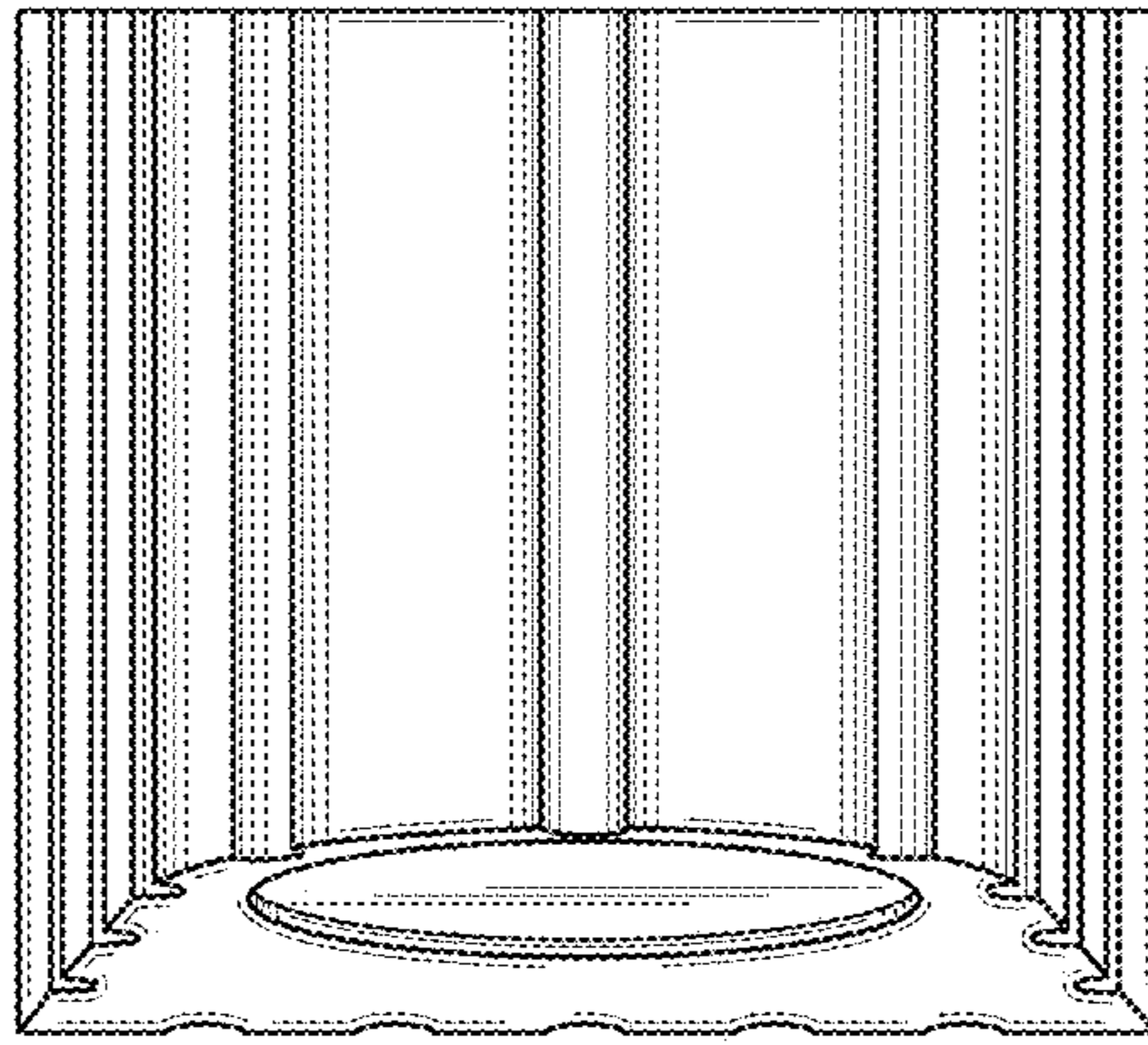


FIG. 6

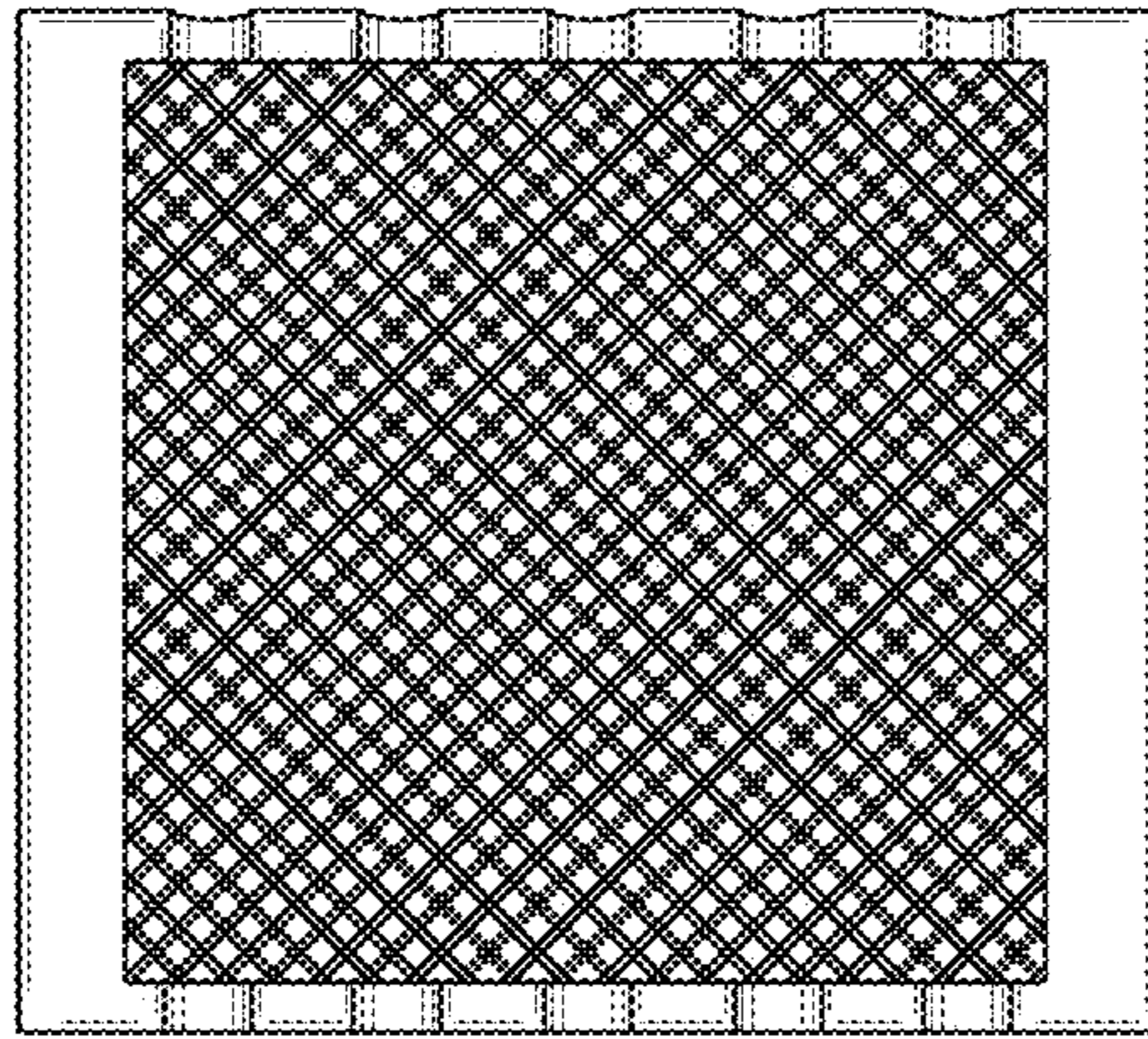


FIG. 7